



US00D864418S

(12) **United States Design Patent**
Brown et al.

(10) **Patent No.:** **US D864,418 S**
(45) **Date of Patent:** **** Oct. 22, 2019**

(54) **VAULT FOR ACTIVE SHOOTERS AND TORNADOES**

(71) Applicant: **Big 6, LLP**, Campobello, SC (US)

(72) Inventors: **James C. Brown**, Campobello, SC (US); **James R. Byrd**, Landrum, SC (US); **Jeffery L. Carson**, Enterprise, AL (US); **John M. Evans**, Campobello, SC (US)

(73) Assignee: **BIG 6, LLP**, Charlotte, NC (US)

(**) Term: **15 Years**

(21) Appl. No.: **29/645,416**

(22) Filed: **Apr. 26, 2018**

Related U.S. Application Data

(63) Continuation of application No. 15/963,156, filed on Apr. 26, 2018.

(51) **LOC (12) Cl.** **25-03**

(52) **U.S. Cl.**
USPC **D25/33**

(58) **Field of Classification Search**
USPC D25/1, 3-35, 55-59, 61; 52/79.1-79.9; D12/101-106

(Continued)

(56) **References Cited**

U.S. PATENT DOCUMENTS

2,120,861 A * 6/1938 Hastings E04H 15/34
D25/33

2,647,287 A * 8/1953 Jones E04B 1/34321
108/55.1

(Continued)

FOREIGN PATENT DOCUMENTS

DE 20320217 4/2004
WO WO9613402 5/1996

OTHER PUBLICATIONS

Melissa Riopka, Company designs “active shooter” shelter for schools, WHNT19 News, <https://whnt.com/2014/09/26/company-designs-active-shooter-shelter-for-schools/> (Year: 2014).*

(Continued)

Primary Examiner — Brett Miller

(74) *Attorney, Agent, or Firm* — Burr & Forman LLP; Douglas L. Lineberry

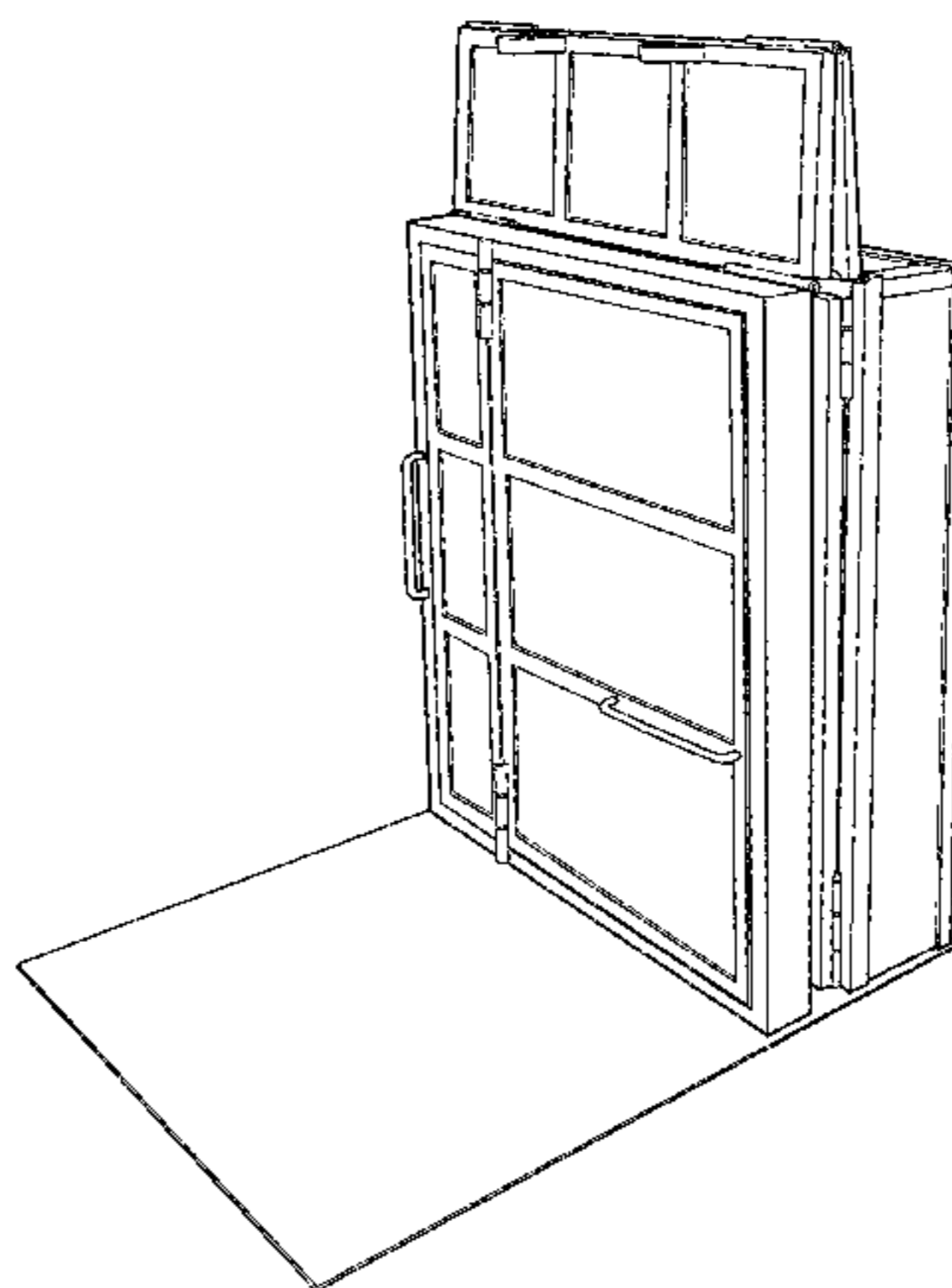
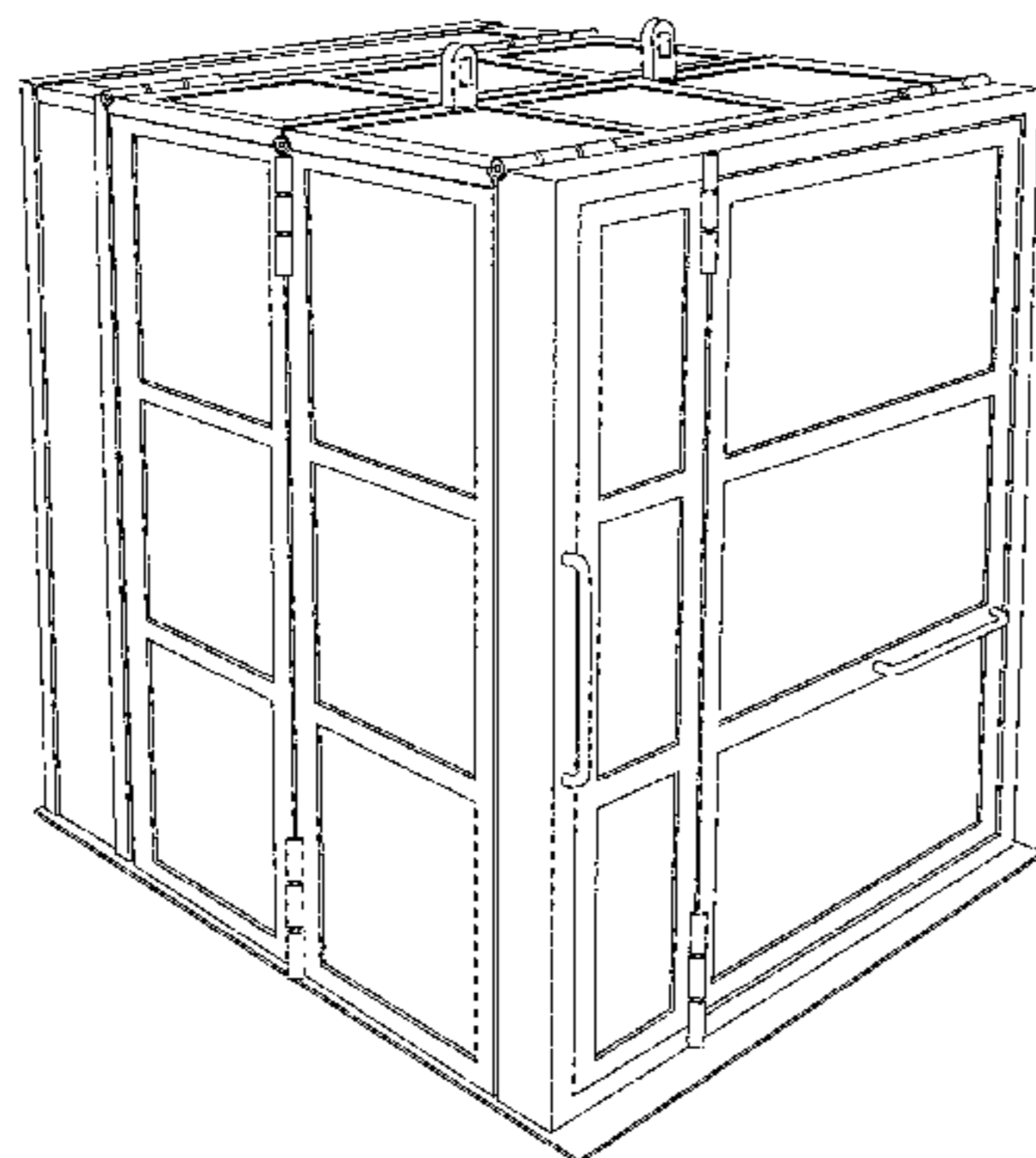
(57) **CLAIM**

The ornamental design for a vault for active shooters and tornadoes, as shown and described.

DESCRIPTION

FIG. 1 is a front top perspective view (left side) of the vault for active shooters and tornadoes in its expanded state; FIG. 2 is a front view of the vault for active shooters and tornadoes in its expanded state; FIG. 3 is a back (rear) view of the vault for active shooters and tornadoes in its expanded state; FIG. 4 is a left view of the vault for active shooters and tornadoes in its expanded state; FIG. 5 is a right view of the vault for active shooters and tornadoes in its expanded state; FIG. 6 is a top view of the vault for active shooters and tornadoes in its expanded state; FIG. 7 is a front top perspective view (left side) of the vault for active shooters and tornadoes in its retracted state; FIG. 8 is a front view of the vault for active shooters and tornadoes in its retracted state; FIG. 9 is a back view of the vault for active shooters and tornadoes in its retracted state; FIG. 10 is a left view of the vault for active shooters and tornadoes in its retracted state; FIG. 11 is a right view of the vault for active shooters and tornadoes in its retracted state; and, FIG. 12 is a top view of the vault for active shooters and tornadoes in its retracted state.

(Continued)



The broken lines act as boundaries of the claim and form no part thereof.

1 Claim, 8 Drawing Sheets

(58) Field of Classification Search

CPC E04H 1/00-1277; E04H 1/14; E04H 3/00-04; E04H 2001/1283-1294; E04H 9/00; E04H 9/04; E04H 9/06; E04H 9/14; E04B 1/34823; E04B 1/3483; E04B 1/3444; E04B 1/3431; E04B 1/343; E04B 1/34869; E04B 1/34321

See application file for complete search history.

(56) References Cited

U.S. PATENT DOCUMENTS

2,838,592 A * 6/1958 Feketics E04B 1/34321
174/371
2,963,122 A * 12/1960 Jagemann E04B 1/3445
D25/22
4,979,242 A 12/1990 Maggio
5,706,846 A 1/1998 Sutton
5,950,373 A * 9/1999 von Hoff E04H 1/1205
206/321
6,308,466 B1 10/2001 Moriarty
6,601,598 B2 8/2003 Clee et al.

D496,737 S * 9/2004 Moon D25/33
7,600,348 B1 10/2009 Kostka
D650,092 S * 12/2011 Lucht D25/33
8,561,358 B2 10/2013 Rowan
8,613,242 B2 12/2013 Peters
9,121,188 B2 9/2015 Von Bereghy
9,228,369 B2 1/2016 Carberry et al.
9,376,829 B2 6/2016 King, III et al.
2004/0206015 A1 10/2004 Greenboim
2006/0000177 A1* 1/2006 Salzano E04B 1/34321
52/474
2009/0014044 A1* 1/2009 Hartman E04H 1/005
135/143
2012/0090455 A1 4/2012 Duncan
2012/0186166 A1 7/2012 Casto
2013/0067846 A1* 3/2013 Kvols E04H 1/1205
52/586.1
2014/0259976 A1 9/2014 Bowers et al.
2015/0267396 A1 9/2015 Cantin
2015/0345168 A1 12/2015 Wirtz
2017/0314255 A1* 11/2017 Klein E04B 1/3444
2017/0356182 A1* 12/2017 Caffaratti Giro E04H 1/12

OTHER PUBLICATIONS

Amethyst Holmes, Small business creates collapsible safe room for classrooms, homes, http://www.al.com/news/huntsville/index.ssf/2014/09/small_business_creates_collaps.html.
Big 6, LLP, <http://www.big6llp.com/>.

* cited by examiner

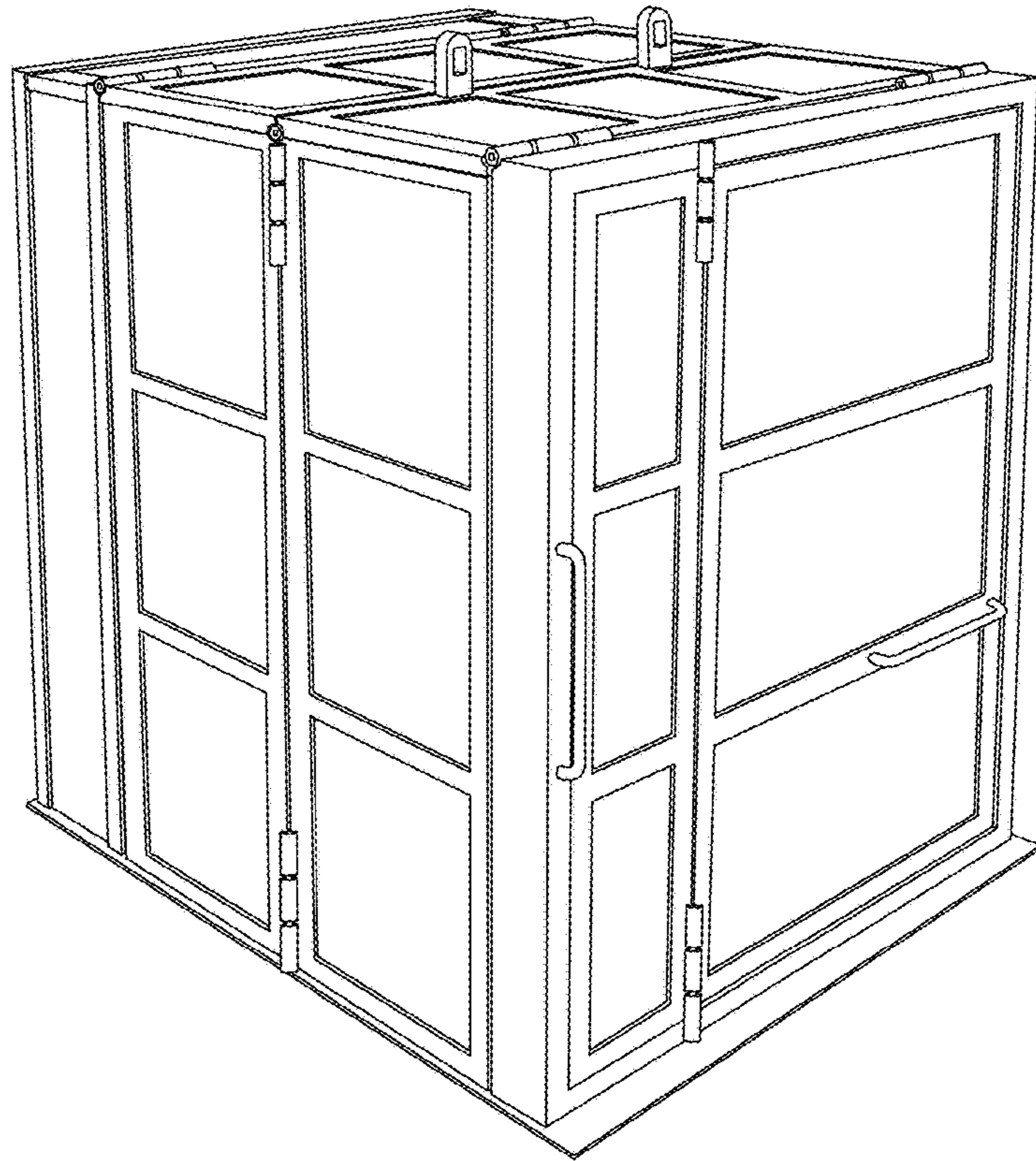


Fig. 1

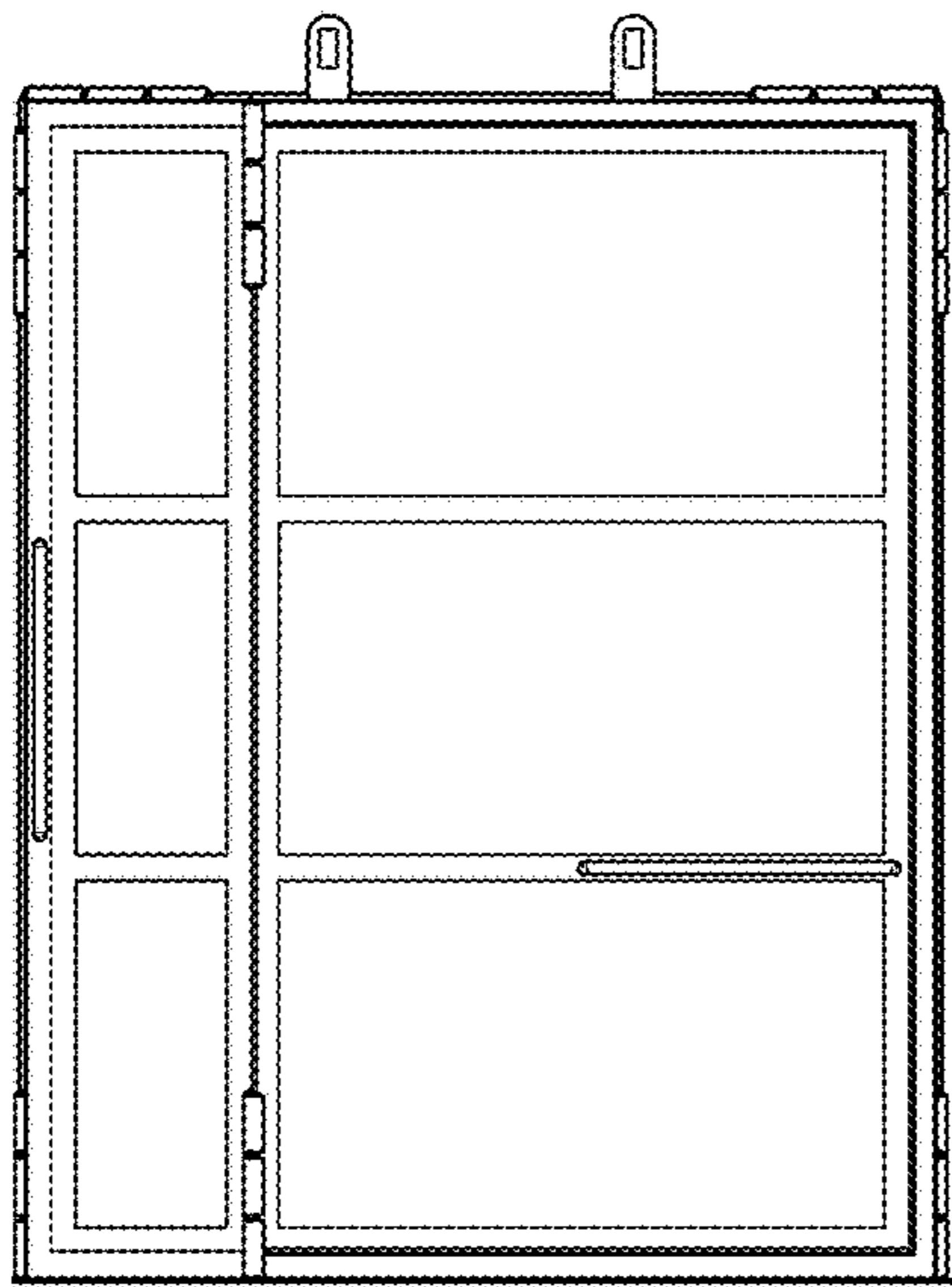


Fig. 2

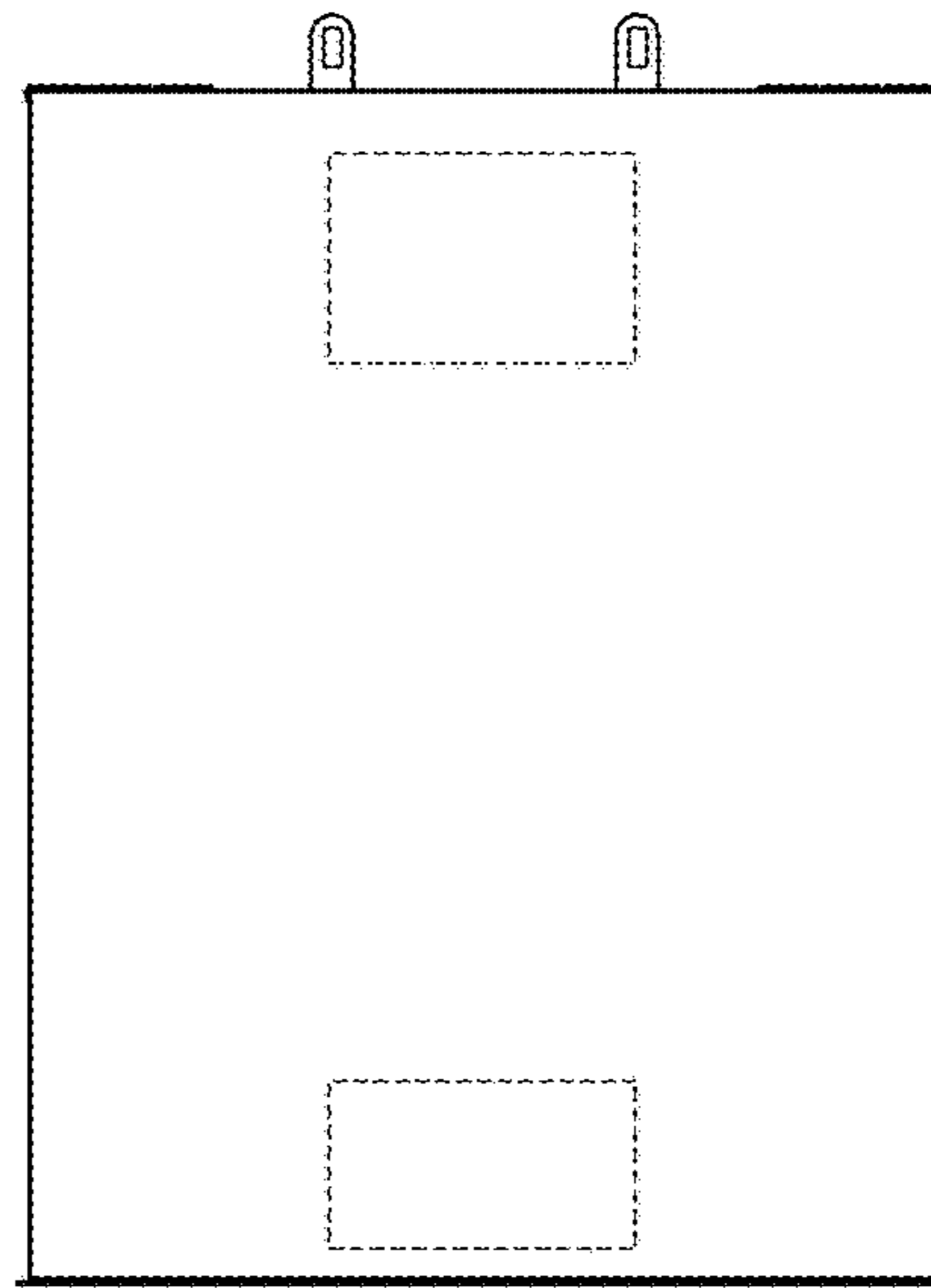


Fig. 3

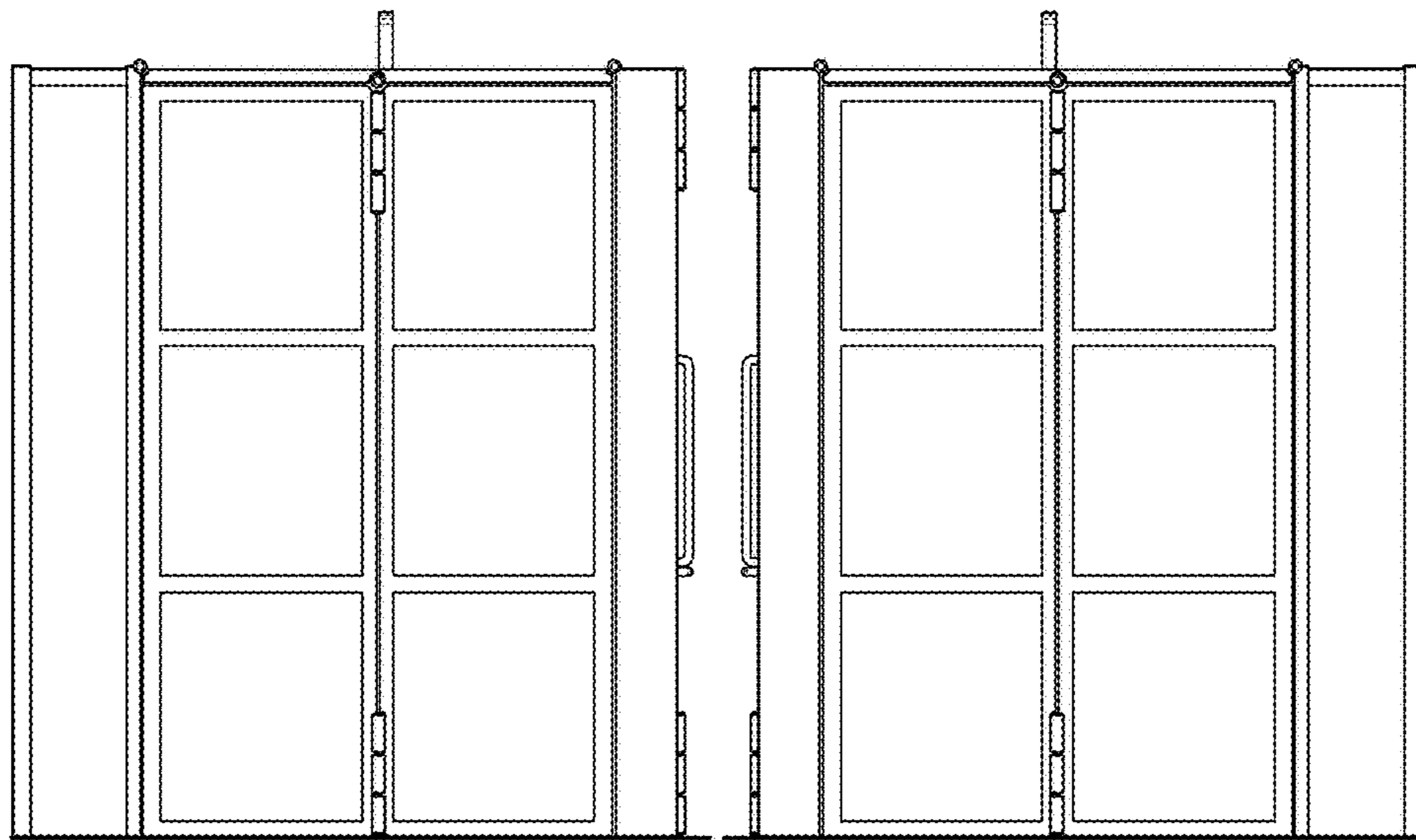


Fig. 4

Fig. 5

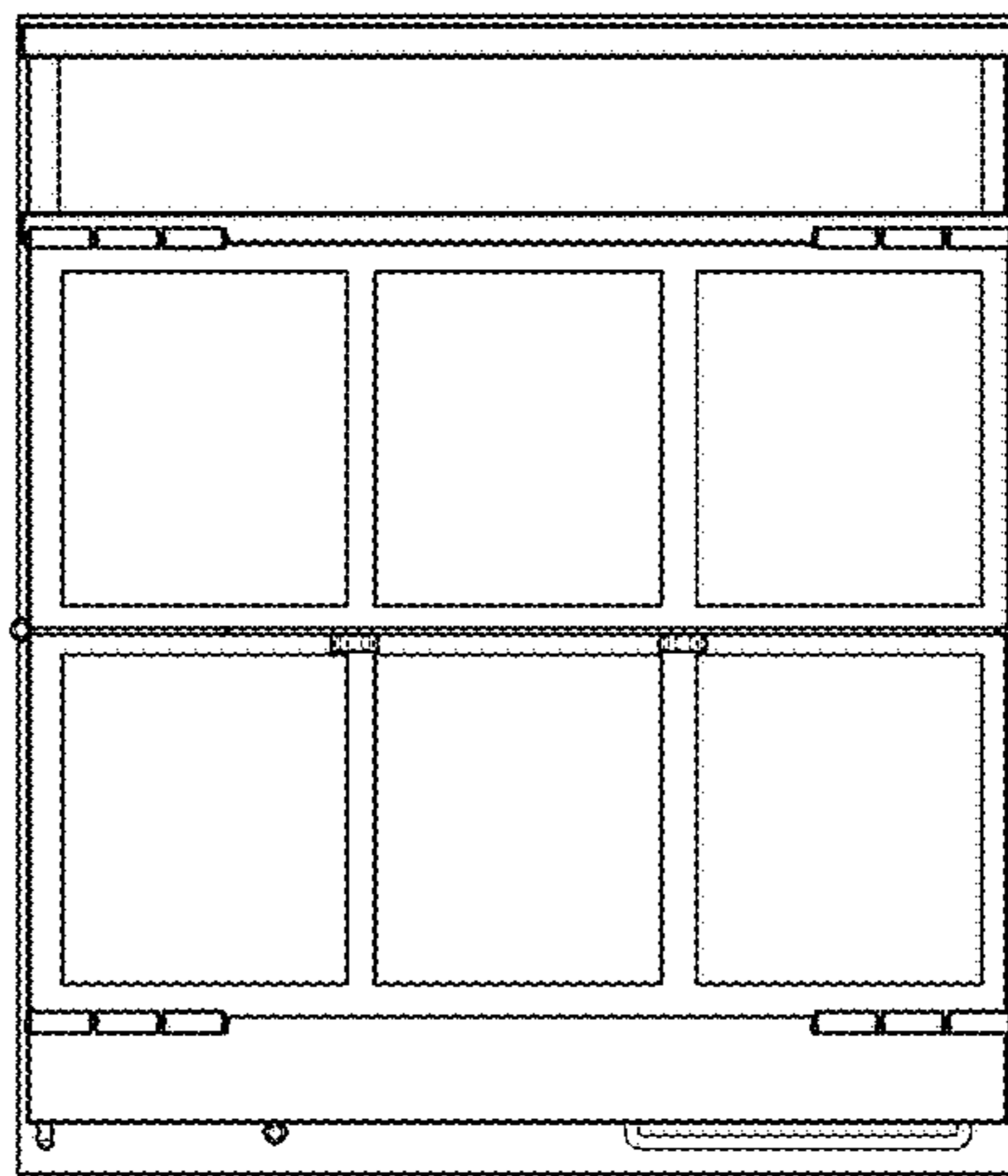


Fig. 6

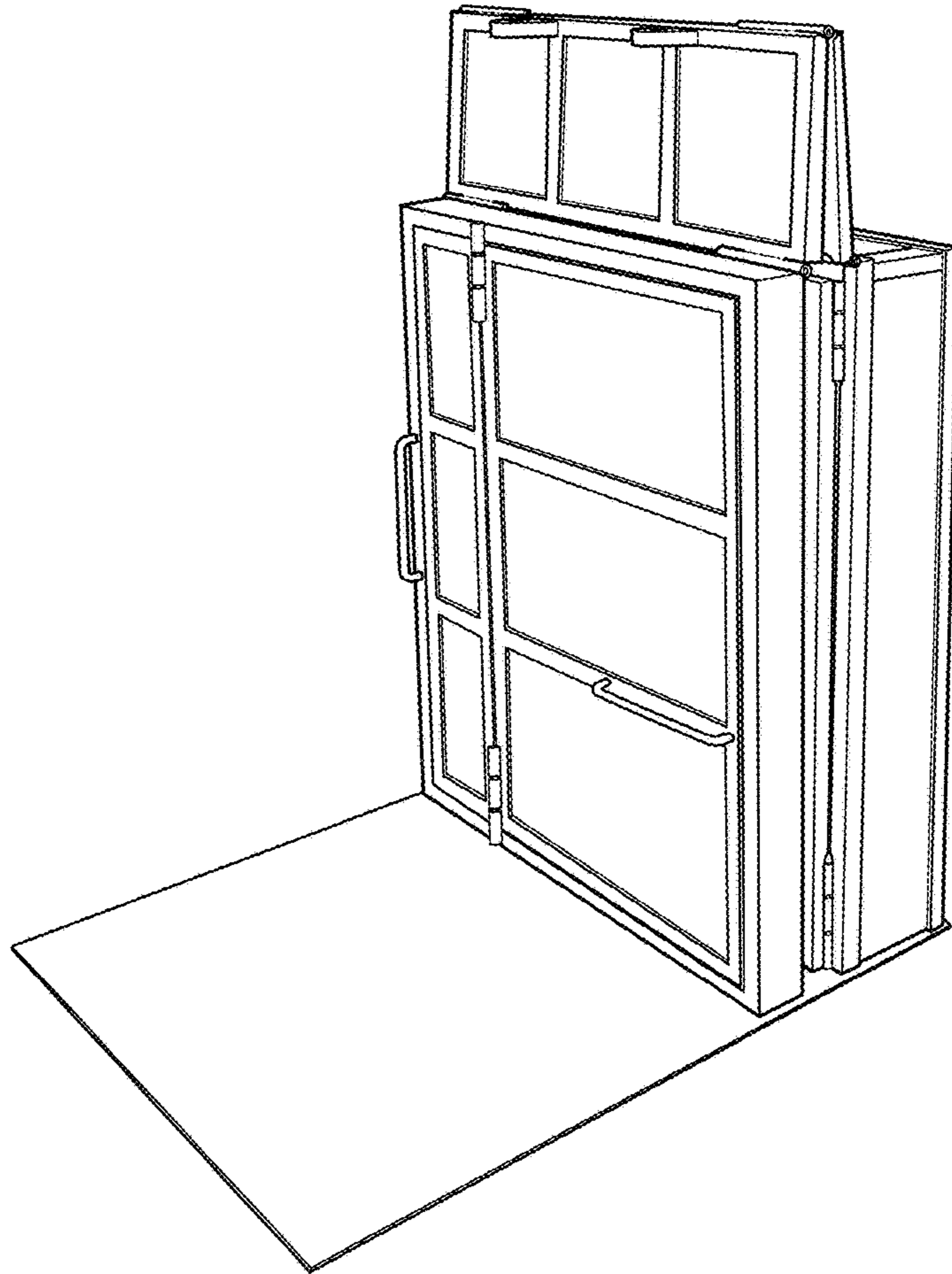


Fig. 7

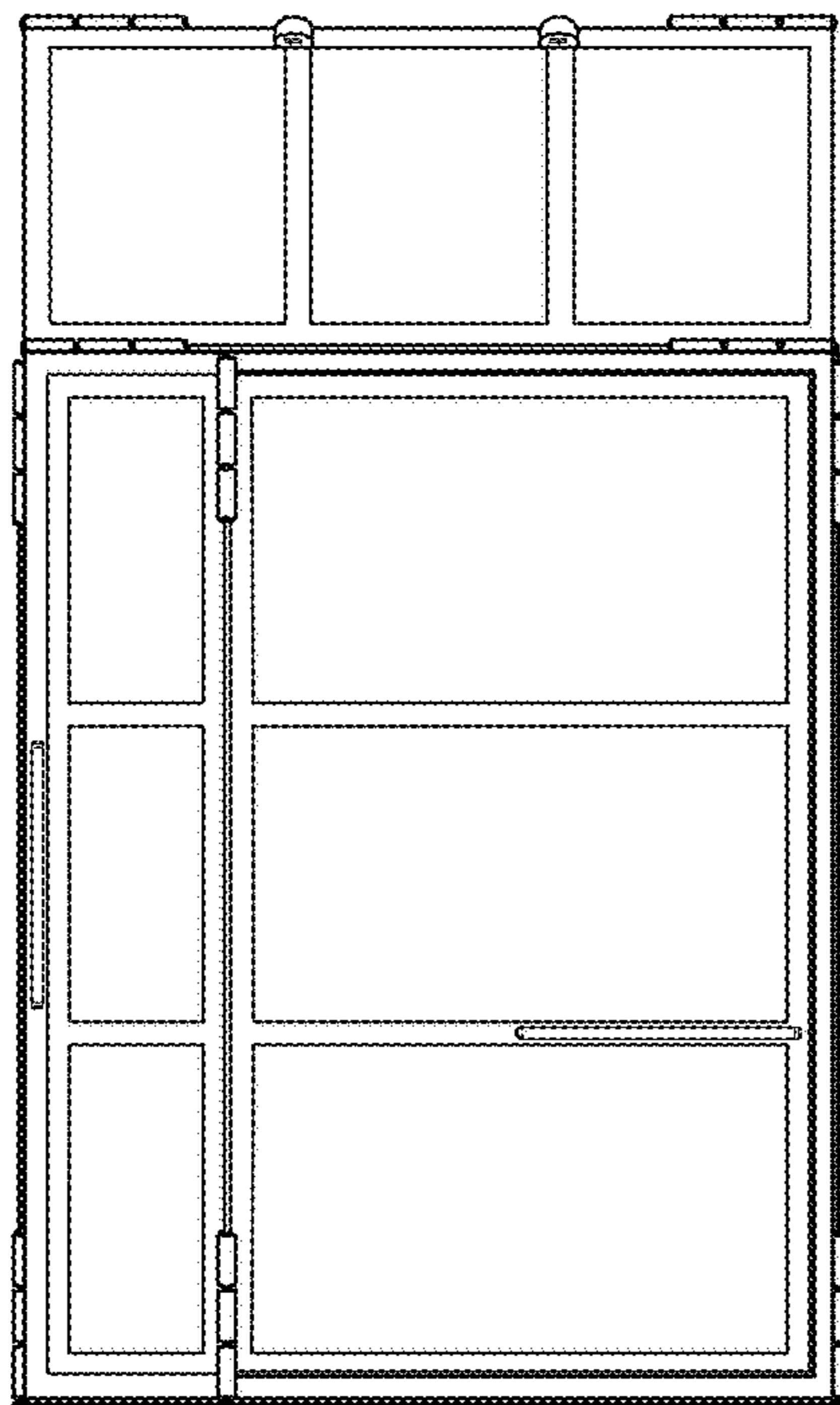


Fig. 8

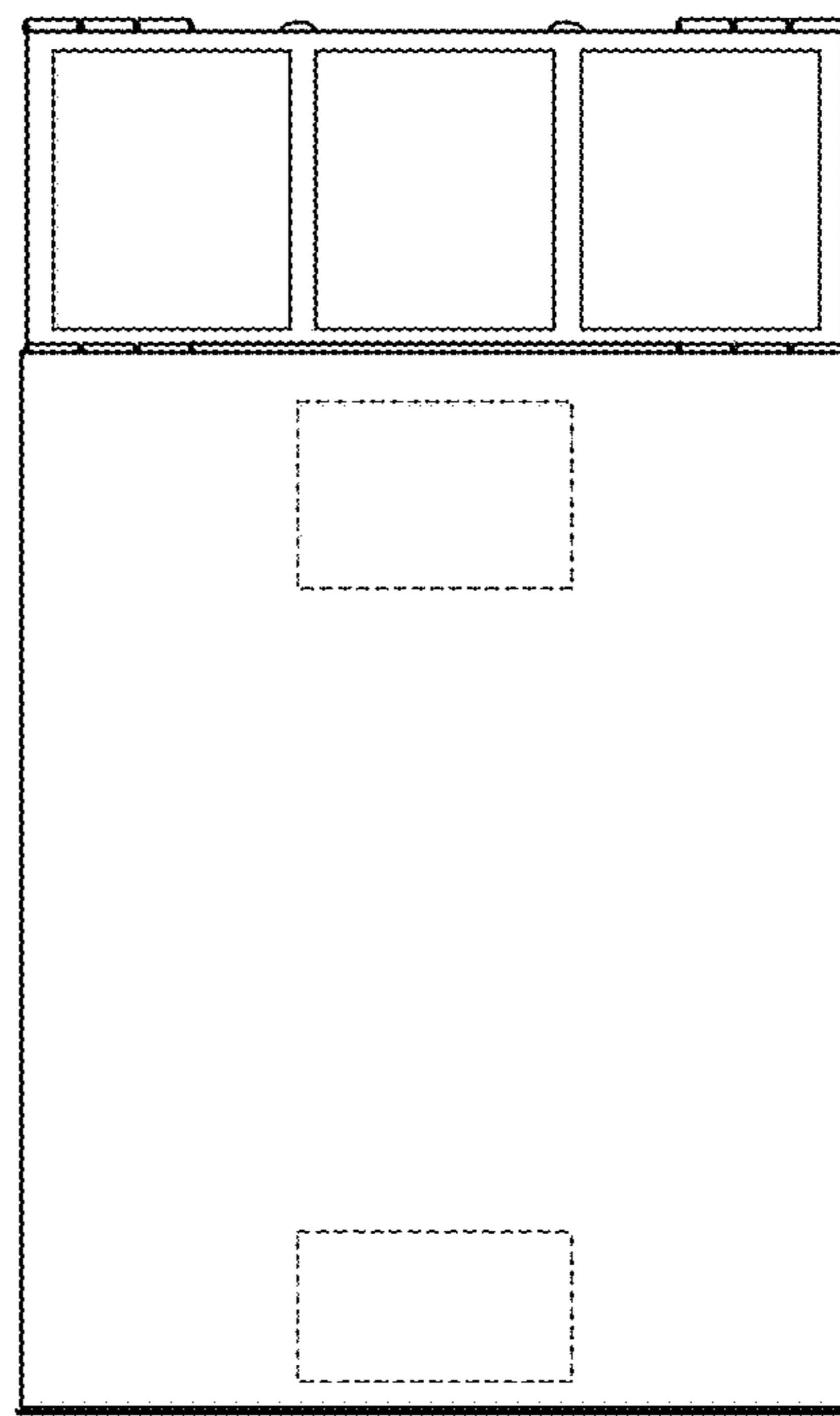


Fig. 9

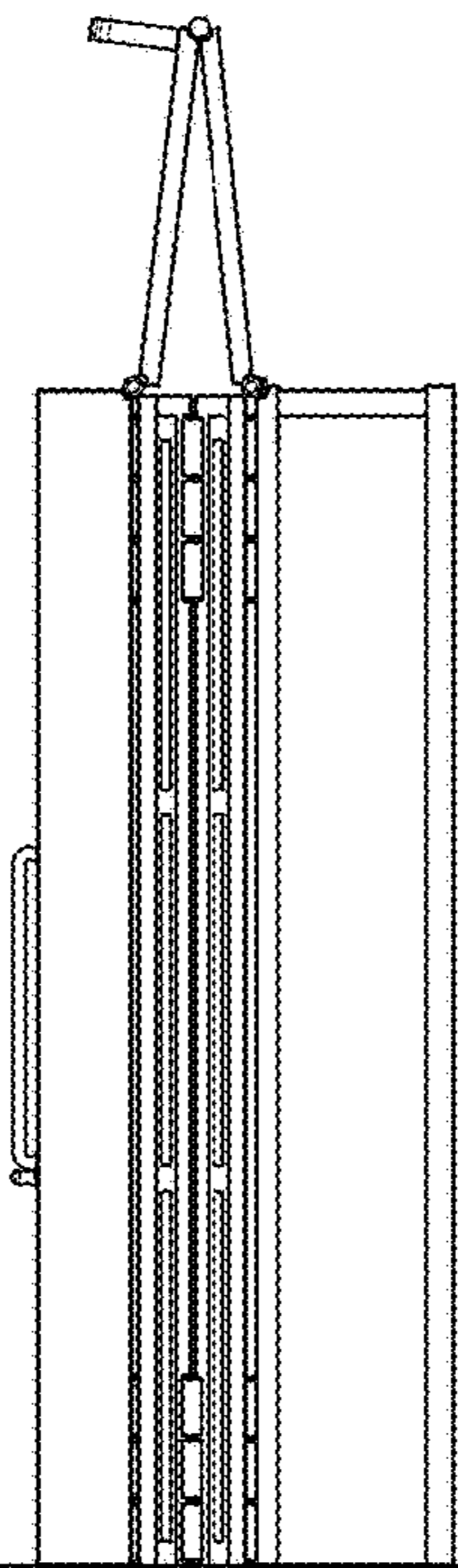


Fig. 10

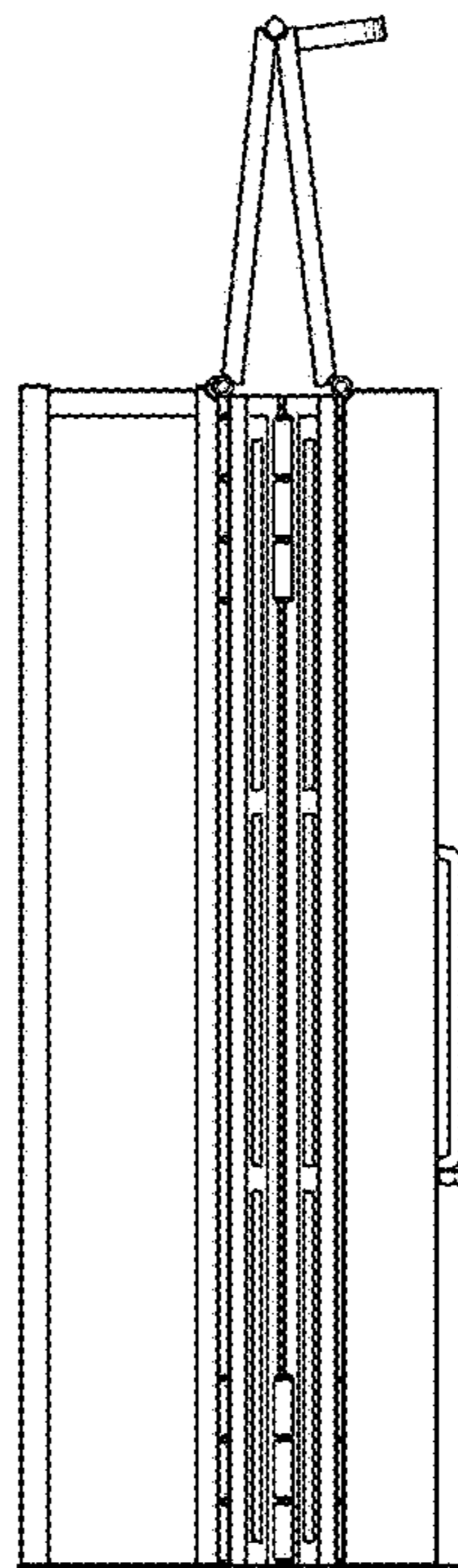


Fig. 11

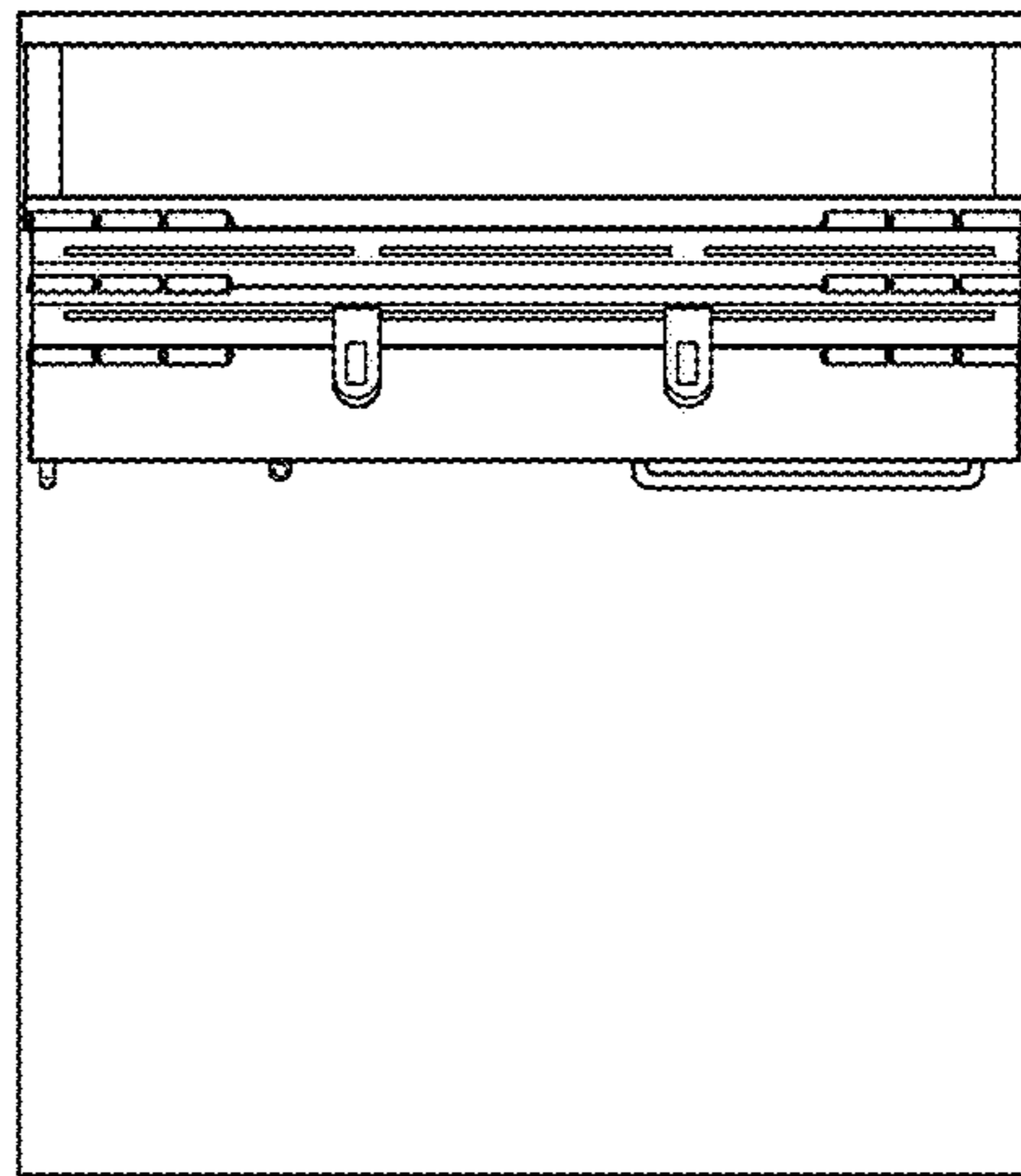


Fig. 12