



US00D864416S

(12) **United States Design Patent** (10) **Patent No.:** **US D864,416 S**
Rathnam (45) **Date of Patent:** **** Oct. 22, 2019**

(54) **MODULAR POOL WITH COVER**
(71) Applicant: **Modpro Containers Limited,**
Abbotsford (CA)
(72) Inventor: **Paul J. Rathnam,** Abbotsford (CA)
(73) Assignee: **Modpro Containers Limited,**
Abbotsford (CA)
(**) Term: **15 Years**
(21) Appl. No.: **29/646,803**
(22) Filed: **May 7, 2018**

(30) **Foreign Application Priority Data**
May 1, 2018 (CA) 181155
(51) **LOC (12) Cl.** **25-03**
(52) **U.S. Cl.**
USPC **D25/2**
(58) **Field of Classification Search**
USPC D25/2; D21/815; D24/201-205;
D23/277-280.3, 201-202; D30/101;
4/502
(Continued)

(56) **References Cited**
U.S. PATENT DOCUMENTS
2,898,607 A * 8/1959 McGuire E04H 4/101
160/23.1
RE25,078 E * 11/1961 McGuire E04H 4/101
4/502
(Continued)

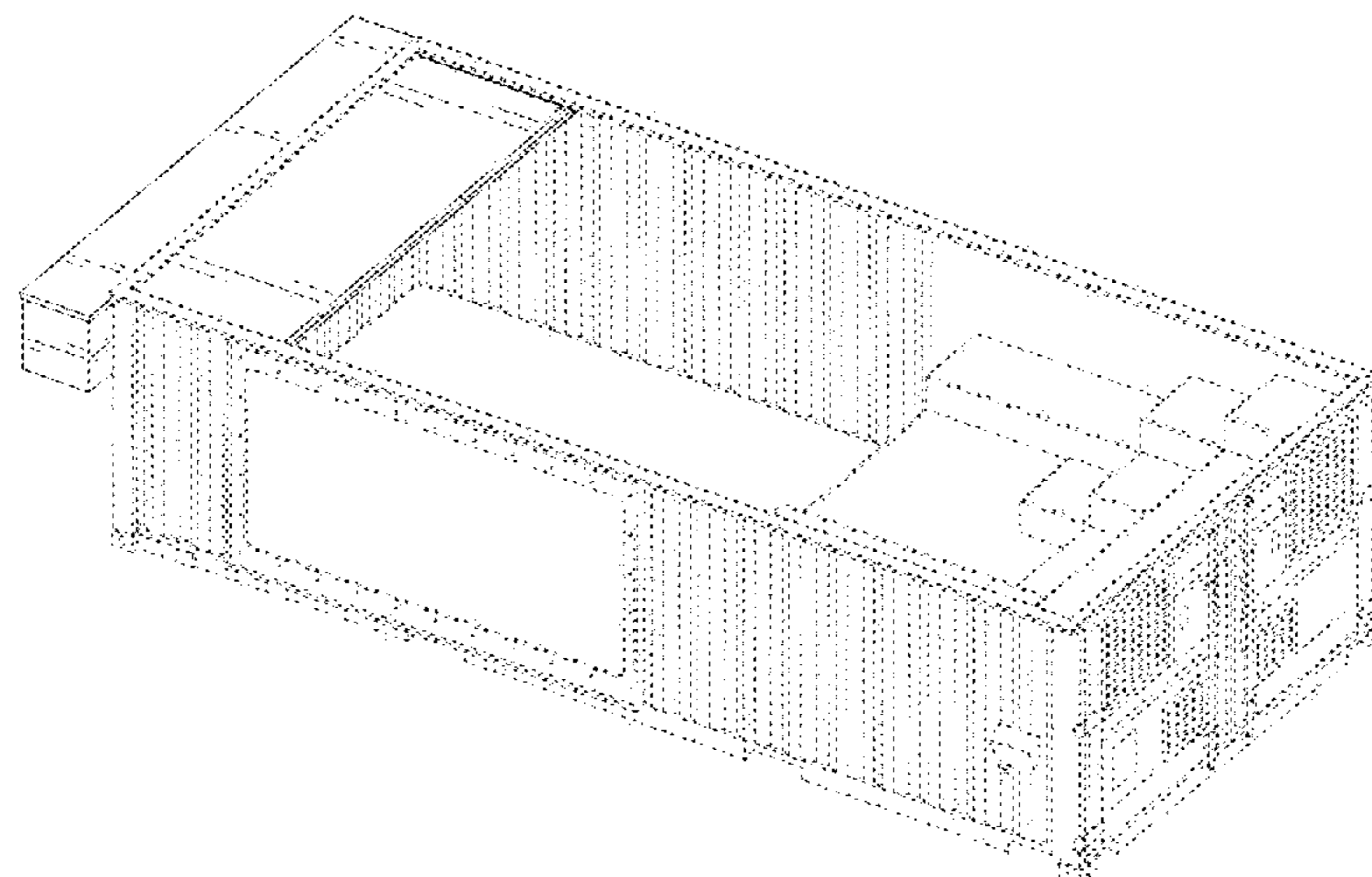
FOREIGN PATENT DOCUMENTS
DE 2235721 A1 1/1974
DE 2742801 A1 4/1979
(Continued)

OTHER PUBLICATIONS
Coverstar, Installation Guide, Sep. 1, 2016, https://www.coverstarcentral.com/pdf/Encapsulation_Kit_Installation_Guide_L9786.pdf (Year: 2016).*
(Continued)
Primary Examiner — Brett Miller
(74) *Attorney, Agent, or Firm* — Oyen, Wiggs, Green & Mutala LLP

(57) **CLAIM**
The ornamental design for a modular pool with cover, as shown and described.

DESCRIPTION
FIG. 1 is a first perspective view of a first variant of a modular pool with cover showing the design, with the cover in the fully closed position;
FIG. 2 is a second perspective view thereof;
FIG. 3 is a right side view thereof;
FIG. 4 is a left side view thereof;
FIG. 5 is a front view thereof;
FIG. 6 is a rear view thereof;
FIG. 7 is a top view thereof;
FIG. 8 is a perspective view thereof with the cover in a partially closed position;
FIG. 9 a first perspective view of a second variant of a modular pool with cover showing the design, with the cover in the fully closed position;
FIG. 10 is a second perspective view thereof;
FIG. 11 is a right side view thereof;
FIG. 12 is a left side view thereof;
FIG. 13 is a front view thereof;
FIG. 14 is a rear view thereof;
FIG. 15 is a top view thereof; and,
FIG. 16 is a perspective view thereof with the cover in a partially closed position.
The portions of the modular pool with cover shown in broken lines form no part of the claimed design. The portion of the design between the break lines forms no part of the claimed design.

1 Claim, 14 Drawing Sheets



US D864,416 S

(58) **Field of Classification Search**
 CPC E04H 2001/1283; E04H 4/00; E04H
 4/0018-0062; E04H 4/10-108; E04H
 4/14-142; E04H 1/101
 See application file for complete search history.

(56) **References Cited**

U.S. PATENT DOCUMENTS

3,460,166	A	8/1969	Weber	
3,501,783	A *	3/1970	Broadman E04H 4/082 4/500
D241,643	S	9/1976	Bonsack	
4,001,899	A	1/1977	Mathis	
D251,201	S	2/1979	Mathis	
4,227,266	A	10/1980	Russell	
D266,697	S	10/1982	Topete	
D266,789	S	11/1982	Topete	
D269,813	S	7/1983	Topete	
4,411,031	A *	10/1983	Stolar E04H 4/101 4/498
D271,522	S	11/1983	Wiley	
D271,995	S	12/1983	Topete	
4,459,711	A *	7/1984	Sartain E04H 4/101 4/498
4,494,256	A *	1/1985	Radtke E04H 4/101 160/265
D300,360	S	3/1989	Jacuzzi	
4,815,152	A *	3/1989	MacDonald E04H 4/101 4/498
4,930,168	A	6/1990	Ferlise	
D321,923	S	11/1991	Ross	
D324,729	S	3/1992	Yvetot	
D388,880	S	1/1998	DeFilippo	
D417,286	S	11/1999	Sullivan	
6,014,778	A *	1/2000	Varnado E04H 4/101 242/919
6,519,788	B1 *	2/2003	Epple E04H 4/101 4/498
6,526,604	B1 *	3/2003	Mathis E04H 4/101 16/96 R
6,640,352	B2	11/2003	Huang	
D510,630	S	10/2005	Sullivan	
7,070,096	B2	7/2006	Muller	
D608,902	S	1/2010	Gill	
D645,162	S *	9/2011	Martell D25/2
D660,442	S	5/2012	Sullivan	
D685,500	S	7/2013	Sullivan	
D695,909	S *	12/2013	Martell D25/2
D703,795	S	4/2014	Licini	
RE45,820	E	12/2015	Jiang	
D782,631	S	3/2017	Schachter	
9,932,092	B1 *	4/2018	Garruto E04H 4/101
D822,226	S	7/2018	Rathnam	

2005/0150175	A1	7/2005	Guigan	
2009/0025134	A1 *	1/2009	Stephens E04H 4/101 4/498
2010/0095448	A1	4/2010	Goldmann	
2010/0122407	A1 *	5/2010	Dewyea E04H 4/101 4/498
2010/0170032	A1 *	7/2010	Sproatt E04H 4/101 4/502
2010/0187146	A1	7/2010	Kochanowski	
2010/0199417	A1 *	8/2010	Shebek E04H 4/101 4/502
2010/0281609	A1 *	11/2010	Holmgren E04H 4/101 4/498
2011/0240497	A1	10/2011	Dechene	
2011/0299935	A1	12/2011	Dornberg	
2012/0175578	A1	7/2012	Boudreau	
2013/0068763	A1	3/2013	Kochanowski	
2013/0245183	A1	9/2013	Beaudry	
2013/0247351	A1	9/2013	Stutson, Jr.	
2014/0283452	A1	9/2014	Dittman	
2015/0089732	A1	4/2015	Khamis	
2015/0240509	A1	8/2015	Ferriss	
2015/0266666	A1	9/2015	Wong	
2016/0083176	A1	3/2016	Kraft	
2016/0102470	A1	4/2016	Brooks	
2016/0130828	A1	5/2016	Moody	
2016/0288993	A1	10/2016	Hu	
2016/0311613	A1	10/2016	Churbuck	
2016/0318609	A1	11/2016	Lynn	
2017/0198486	A1 *	7/2017	Stone, Jr. E04H 4/101
2018/0187440	A1 *	7/2018	Vervoort E04H 4/082
2018/0195302	A1 *	7/2018	Woods E04H 4/101
2019/0063093	A1 *	2/2019	Coenraets E04H 4/101

FOREIGN PATENT DOCUMENTS

DE	202006017784	U1	2/2007
DE	102009033144	A1	2/2010
DE	102010032727	A1	1/2012
DE	102010032730	A1	1/2012
DE	102011078799	A1	2/2012
DE	202013003755	U1	5/2013
EP	1588988	A1	10/2005
EP	2230213	B1	9/2010
TW	200833237	A	8/2008
WO	9748647		12/1997

OTHER PUBLICATIONS

Design U.S. Appl. No. 29/618,894, filed Sep. 25, 2017, which is a Div of design U.S. Pat. No. D. 822,226 issued Jul. 3, 2018.
 Design U.S. Appl. No. 29/633,371, filed Jan. 12, 2018.
 Design U.S. Appl. No. 29/655,525, filed Jul. 4, 2018.

* cited by examiner

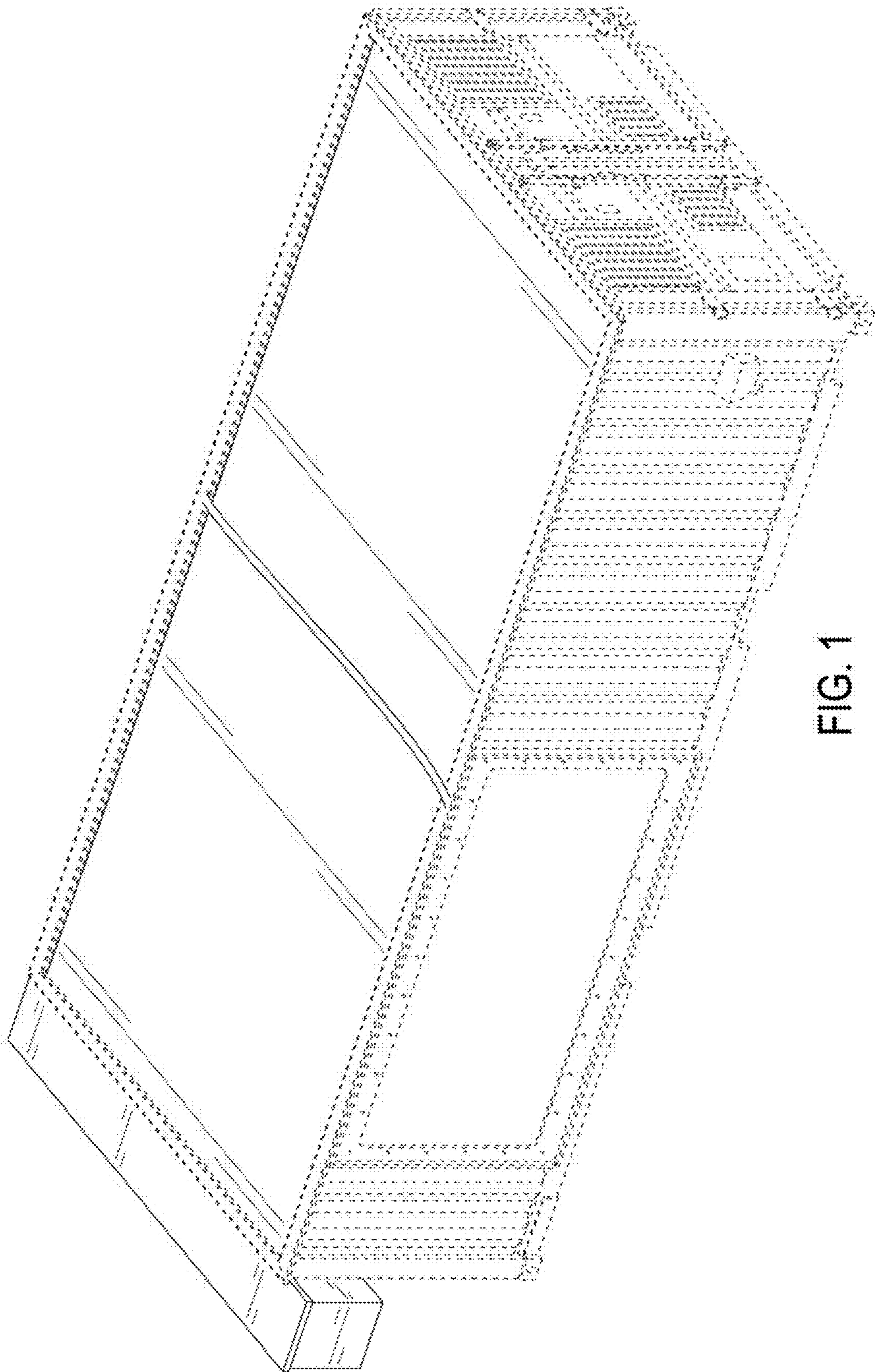


FIG. 1

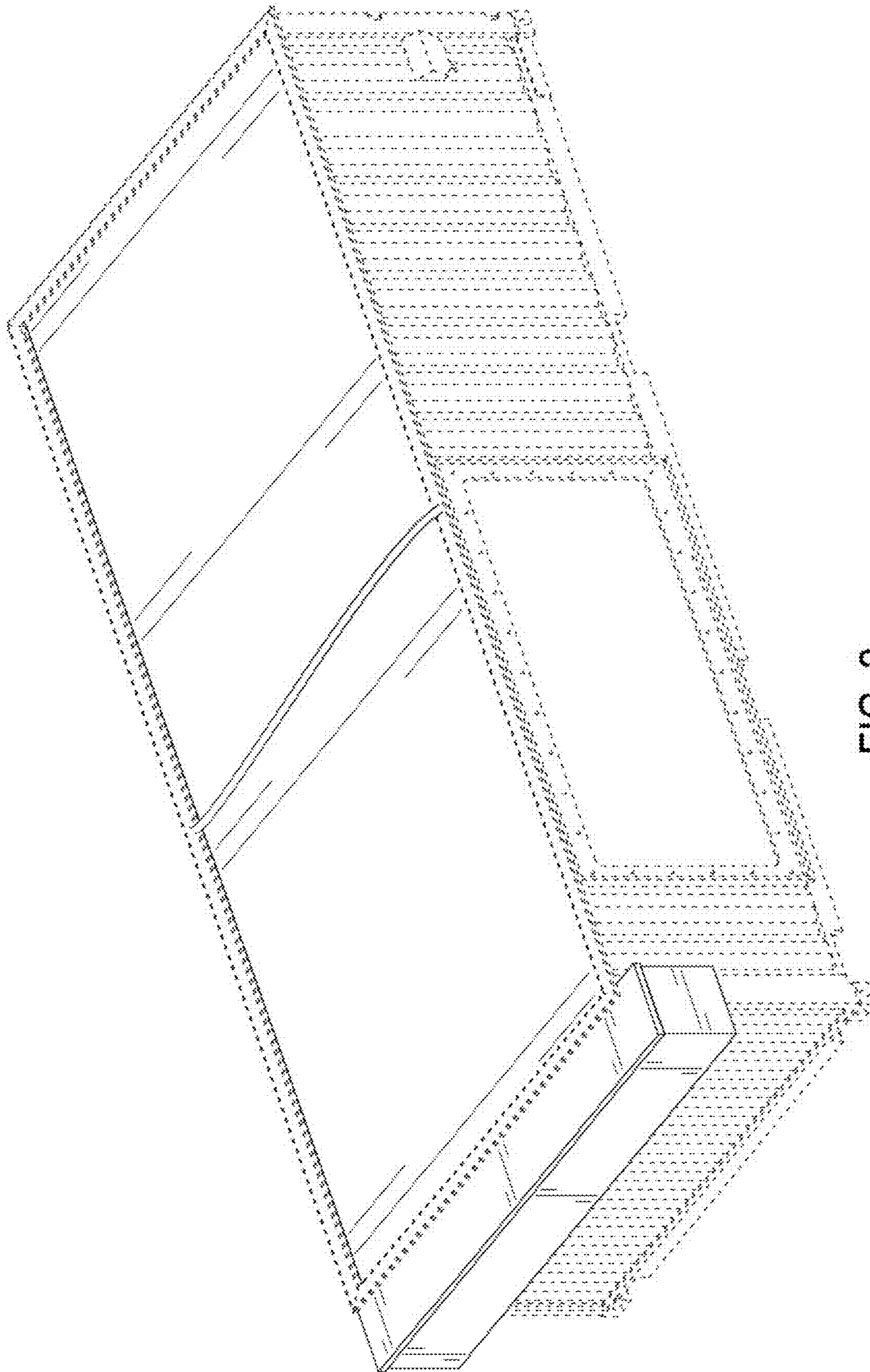


FIG. 2

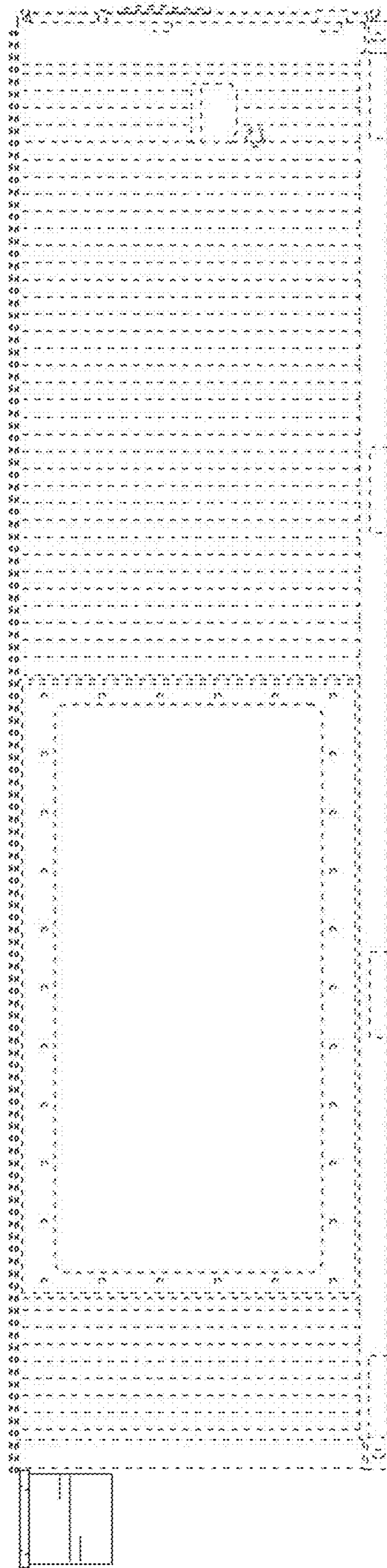


FIG. 3

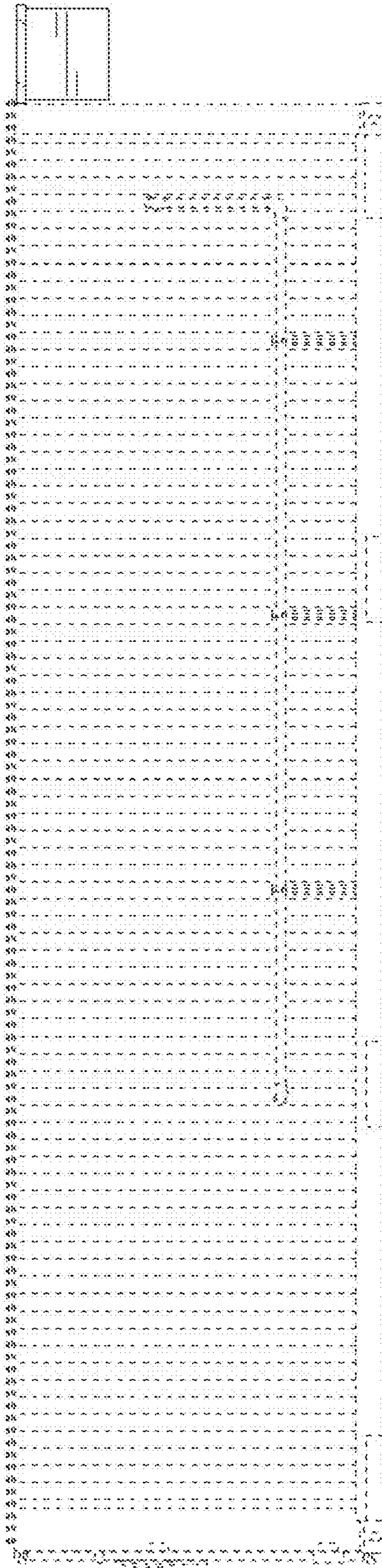


FIG. 4

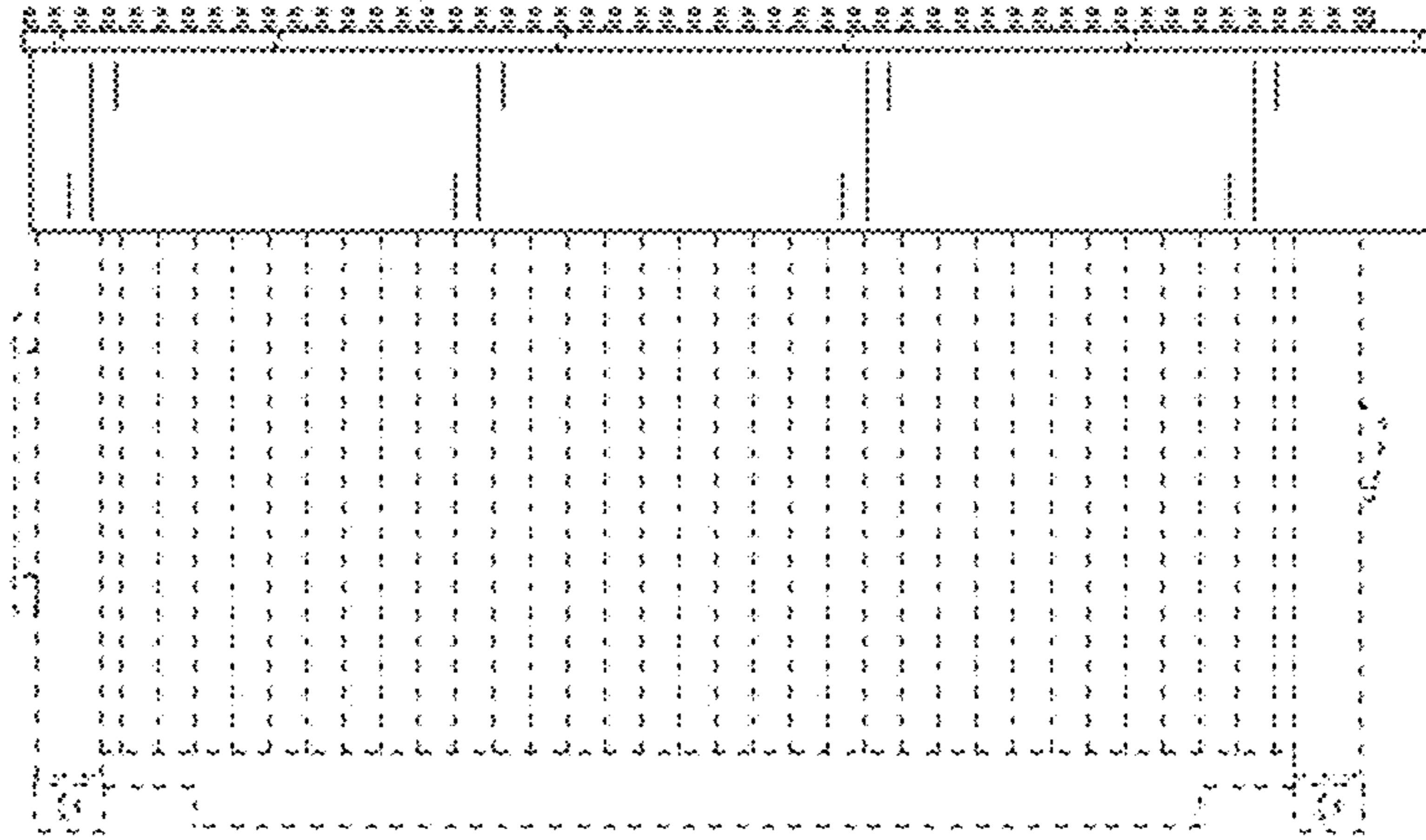


FIG. 5

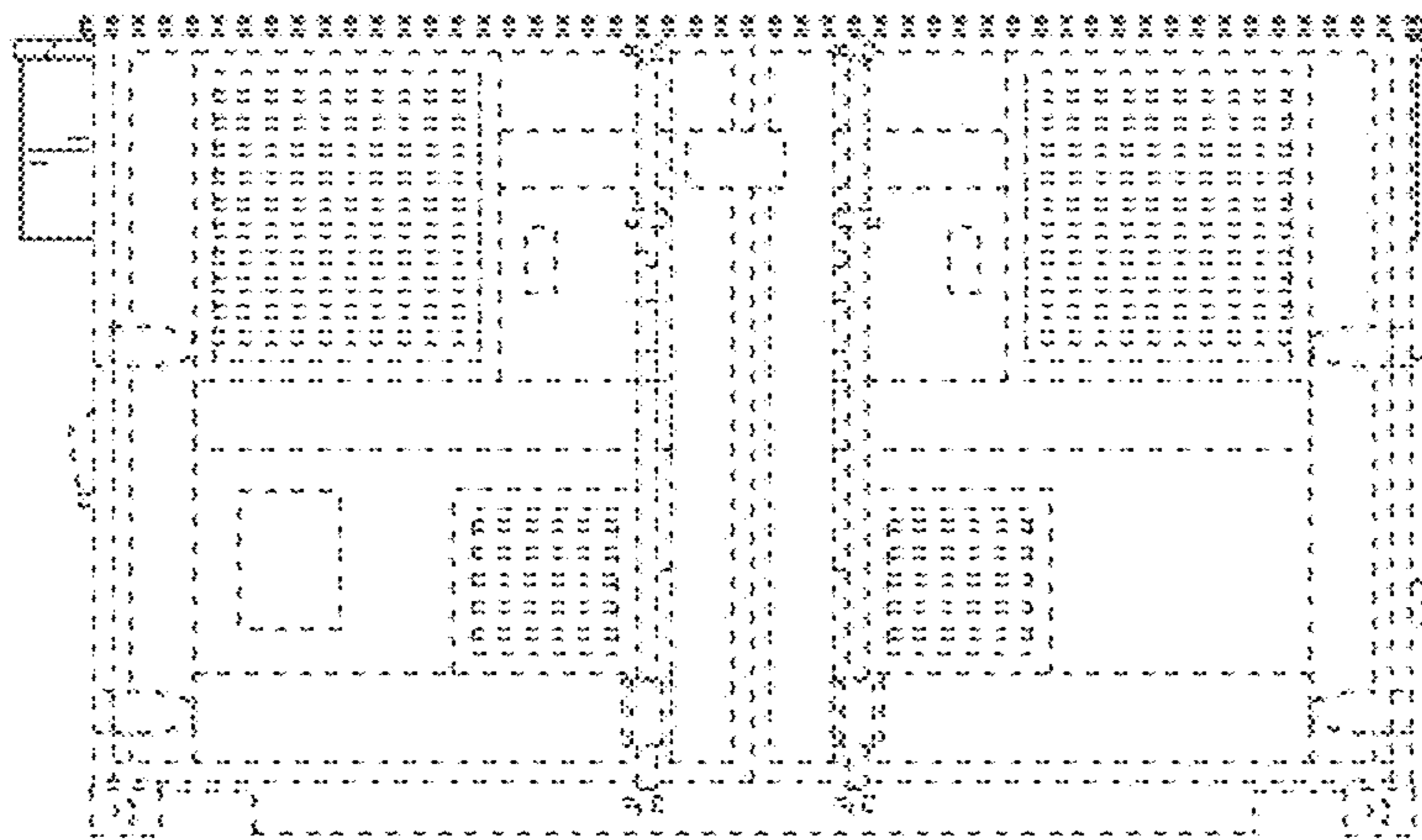


FIG. 6

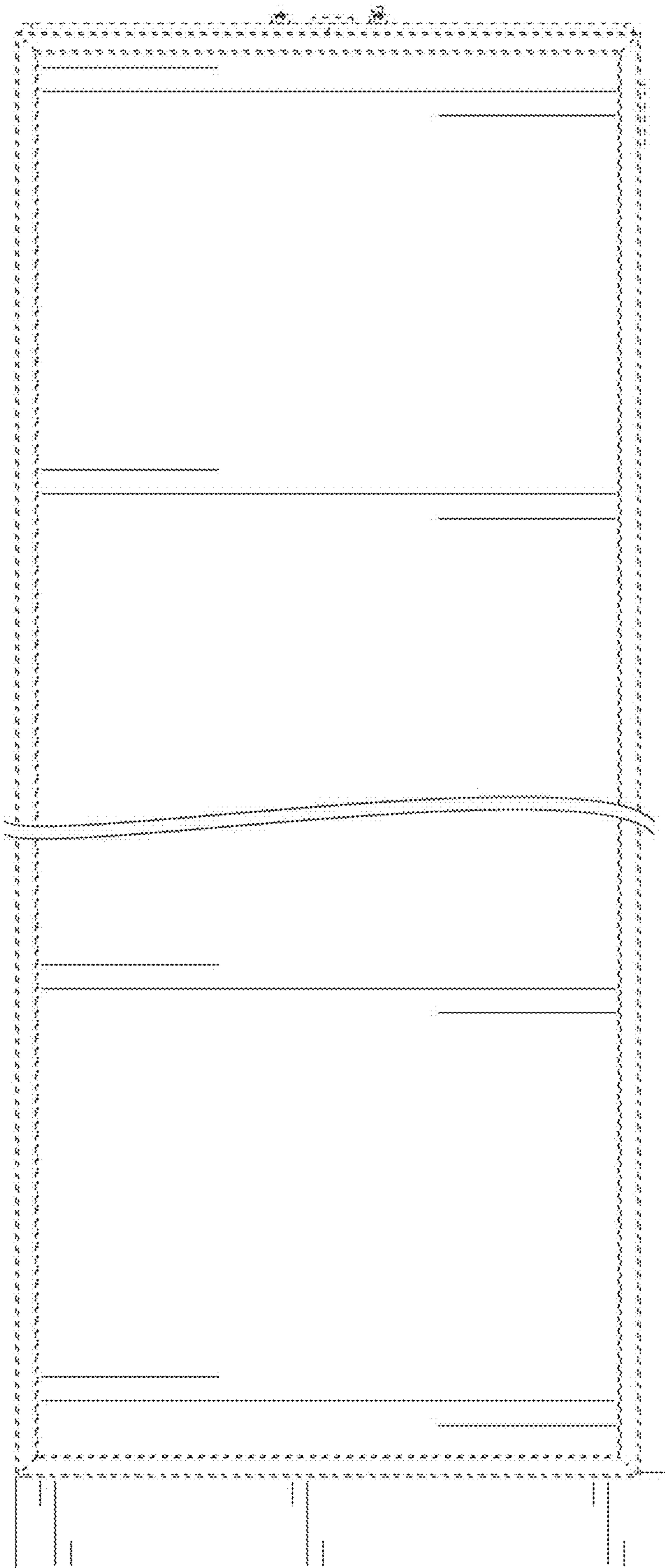


FIG. 7

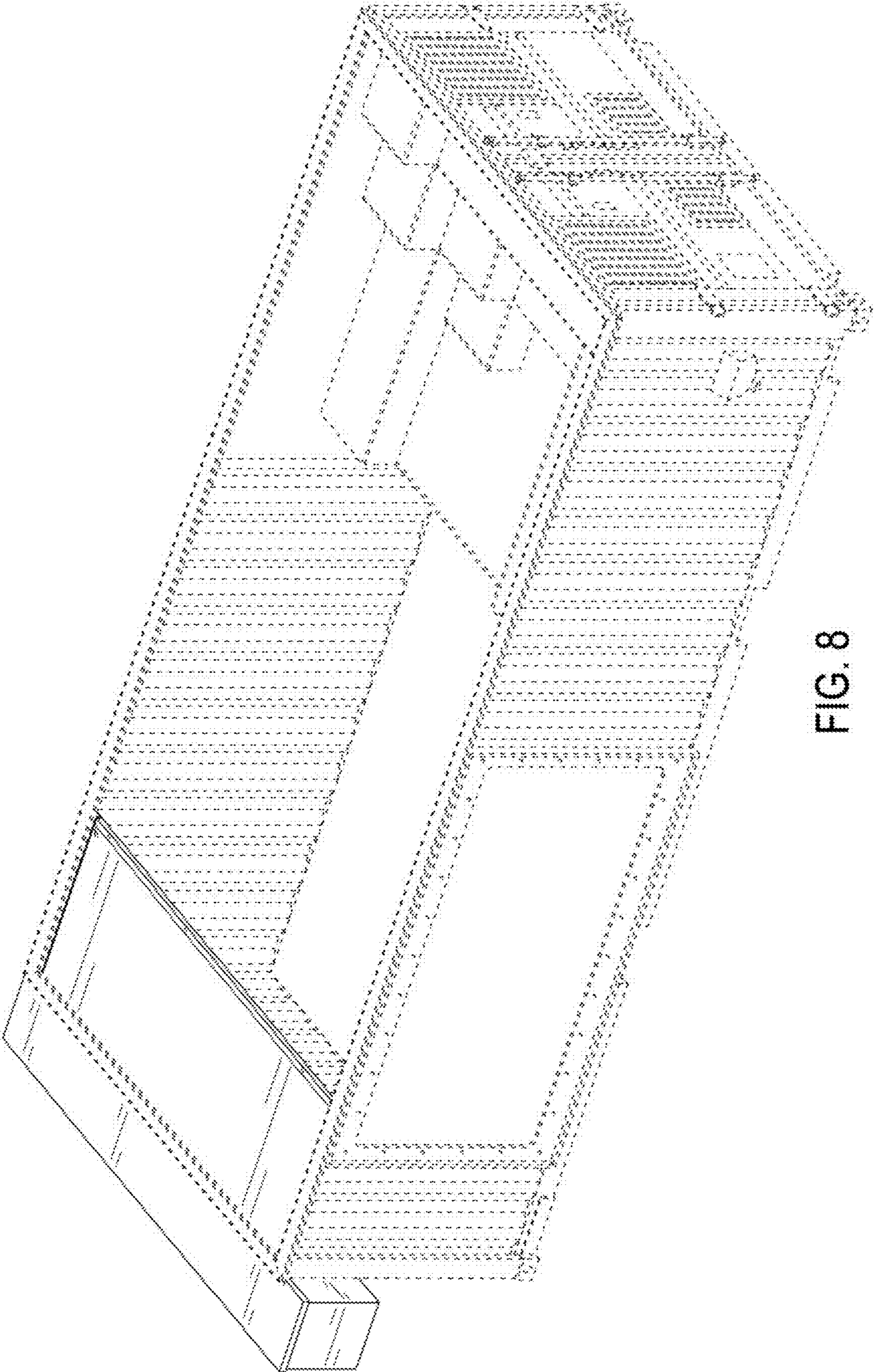


FIG. 8

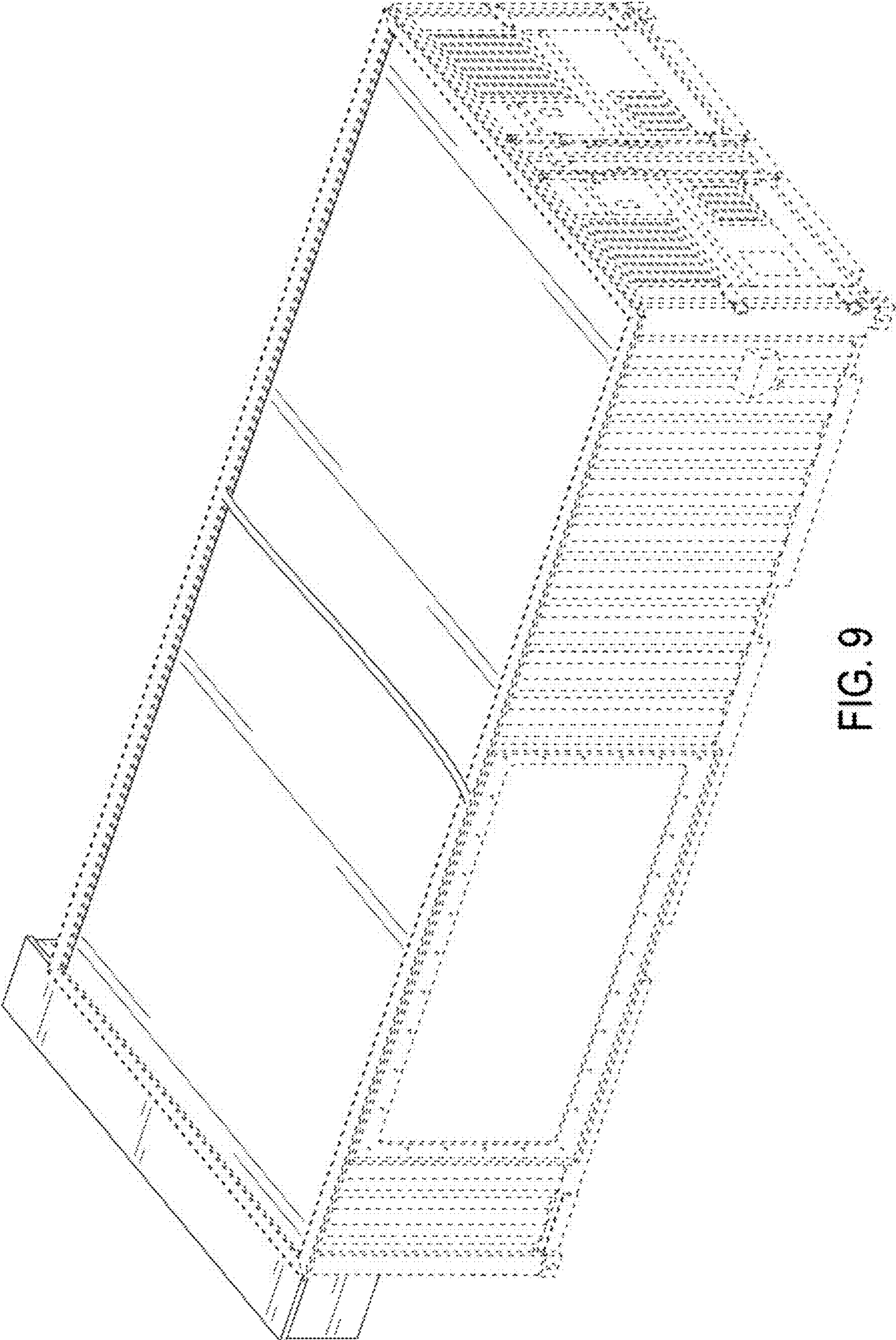


FIG. 9

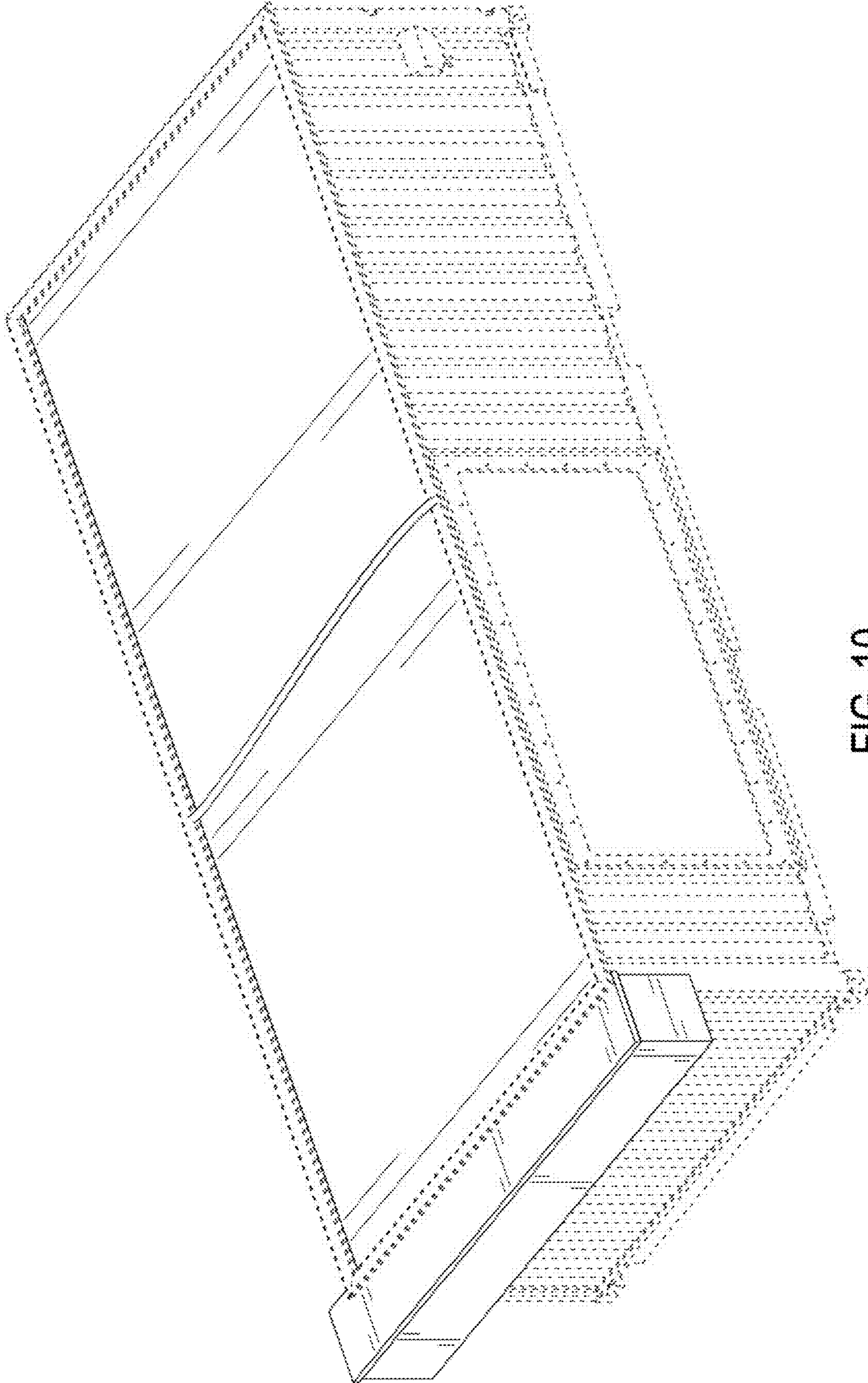


FIG. 10

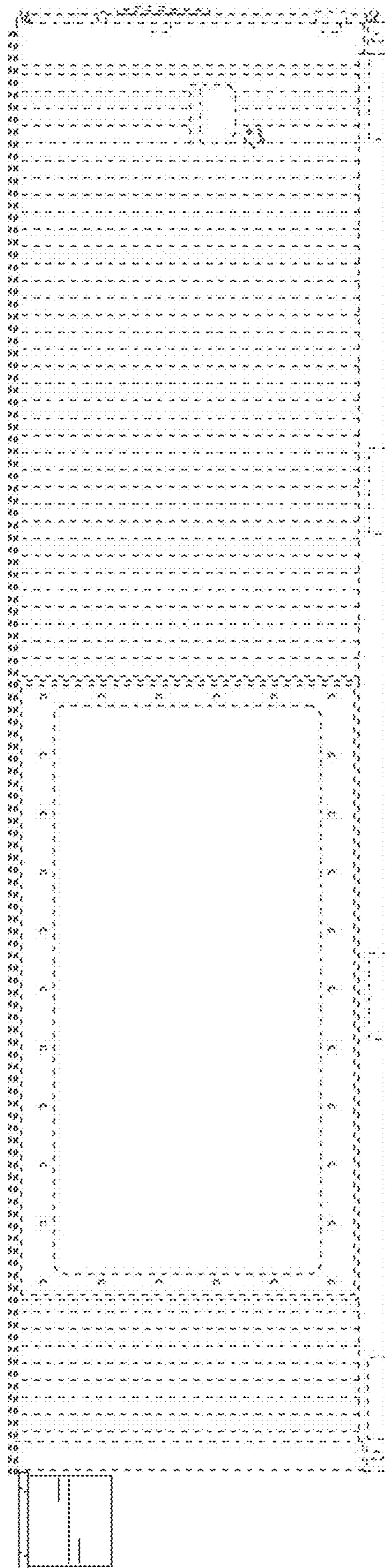


FIG. 11

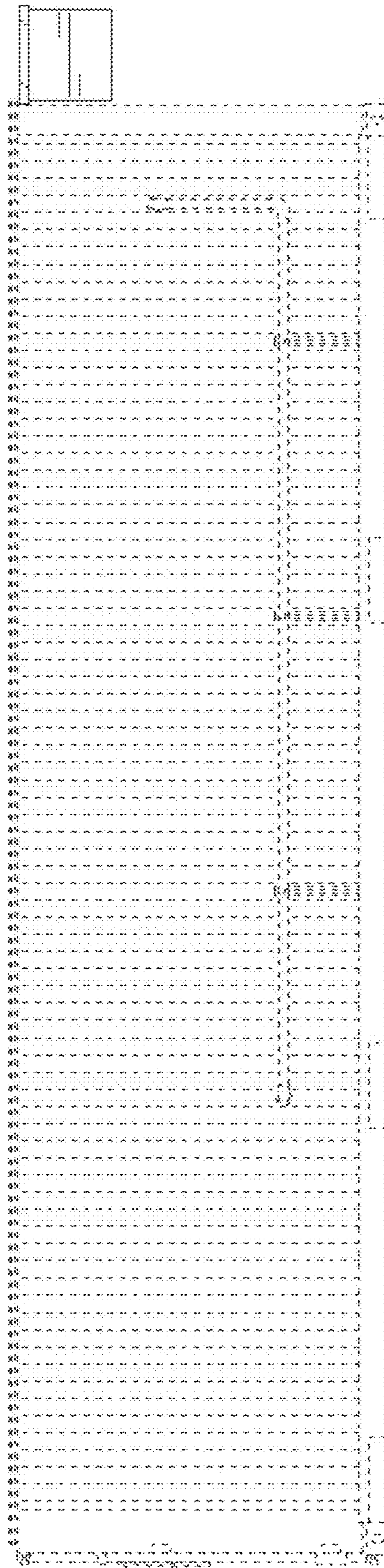


FIG. 12

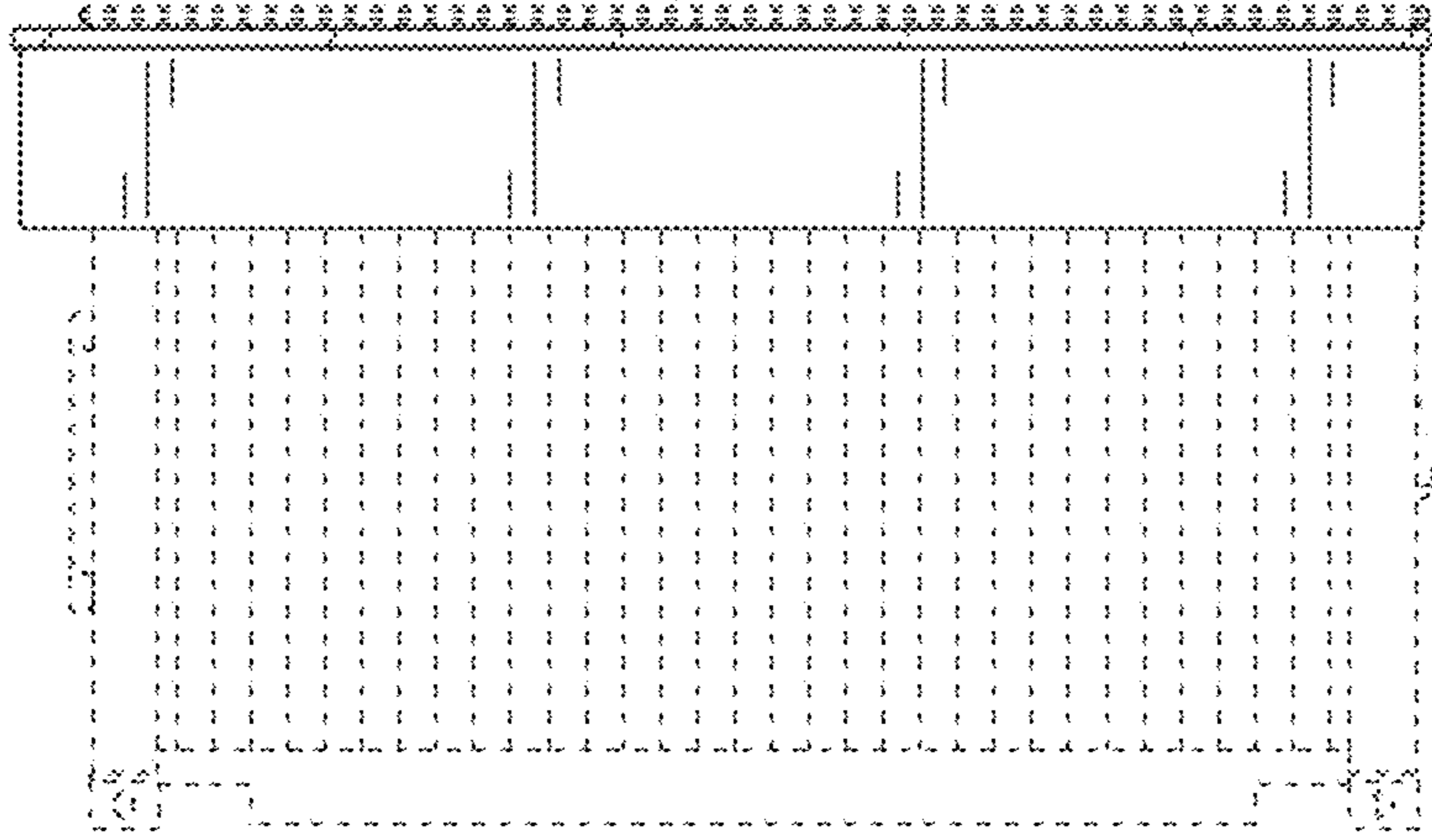


FIG. 13

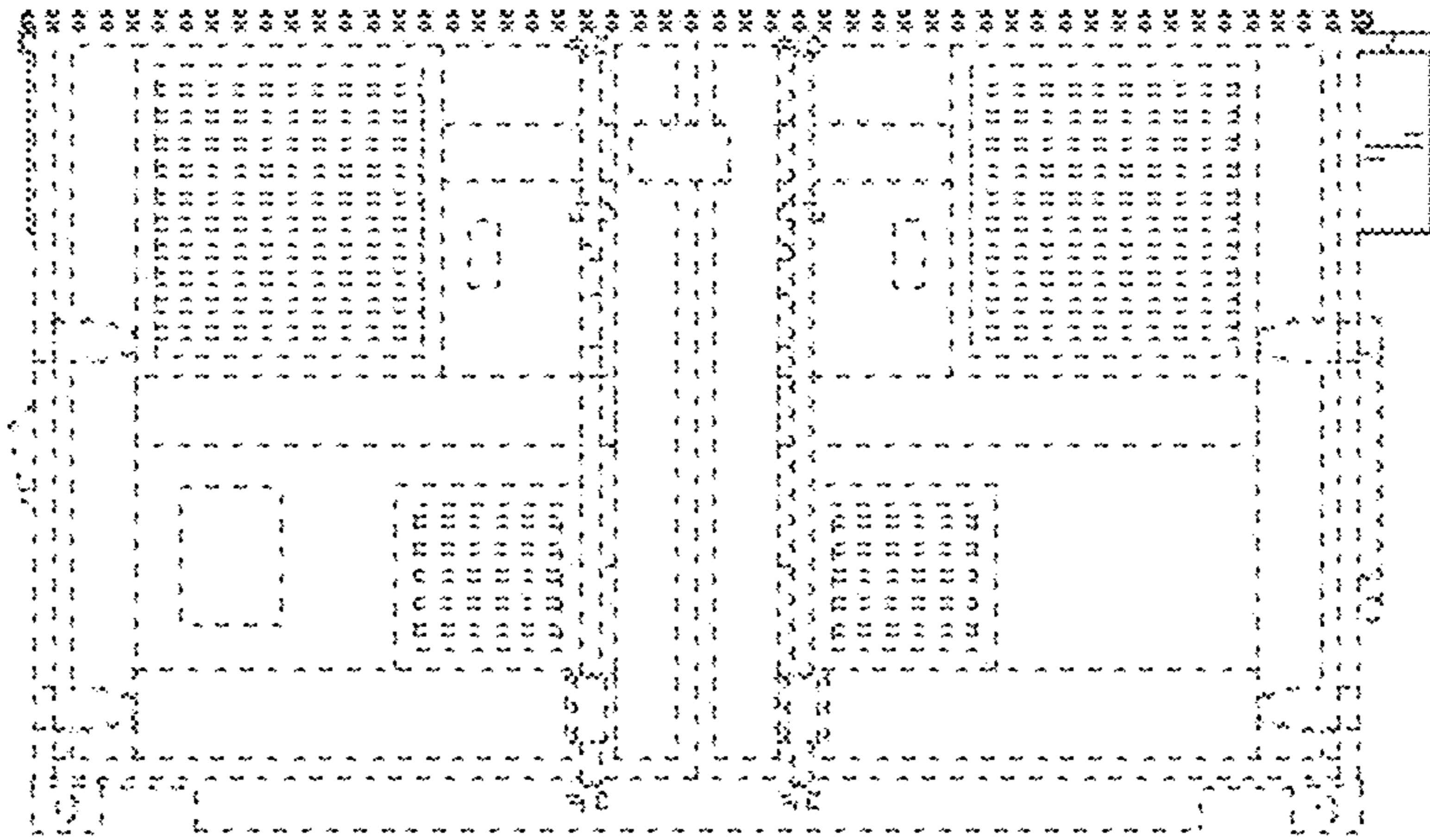


FIG. 14

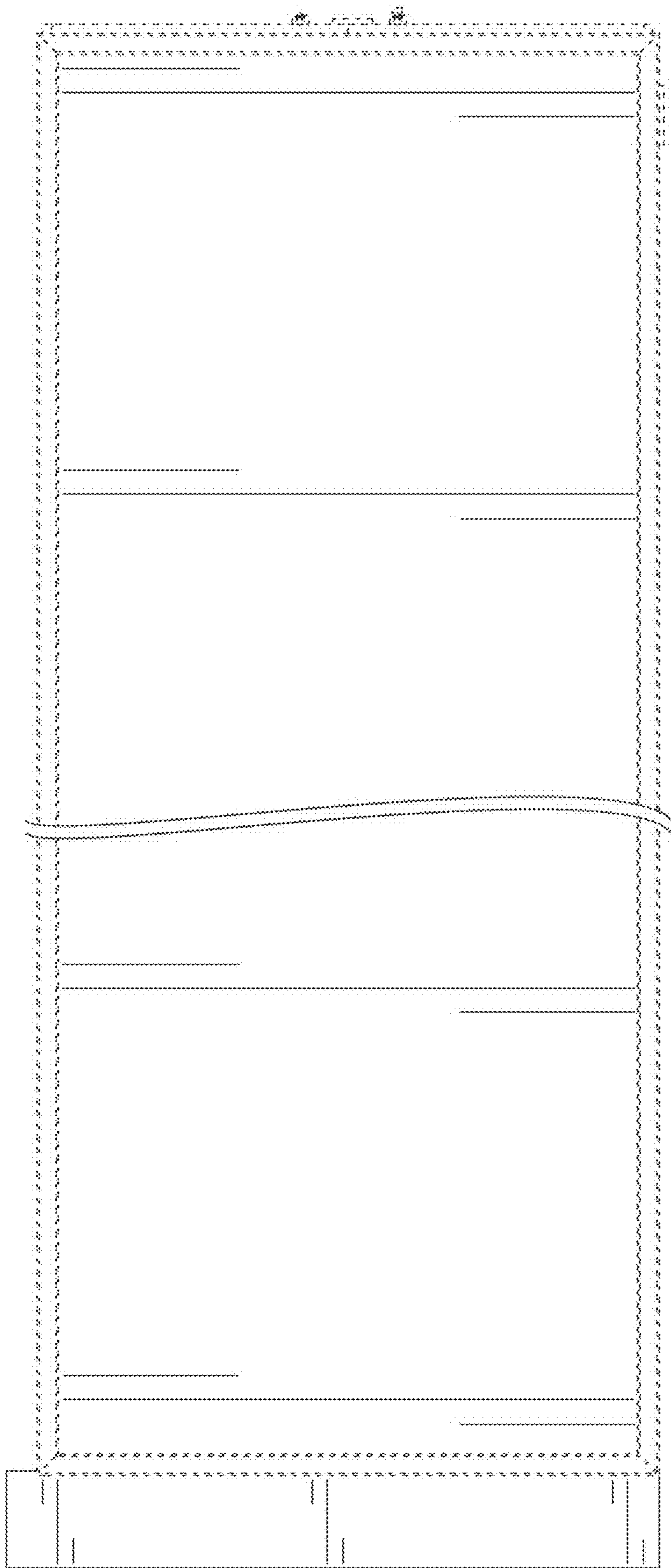


FIG. 15

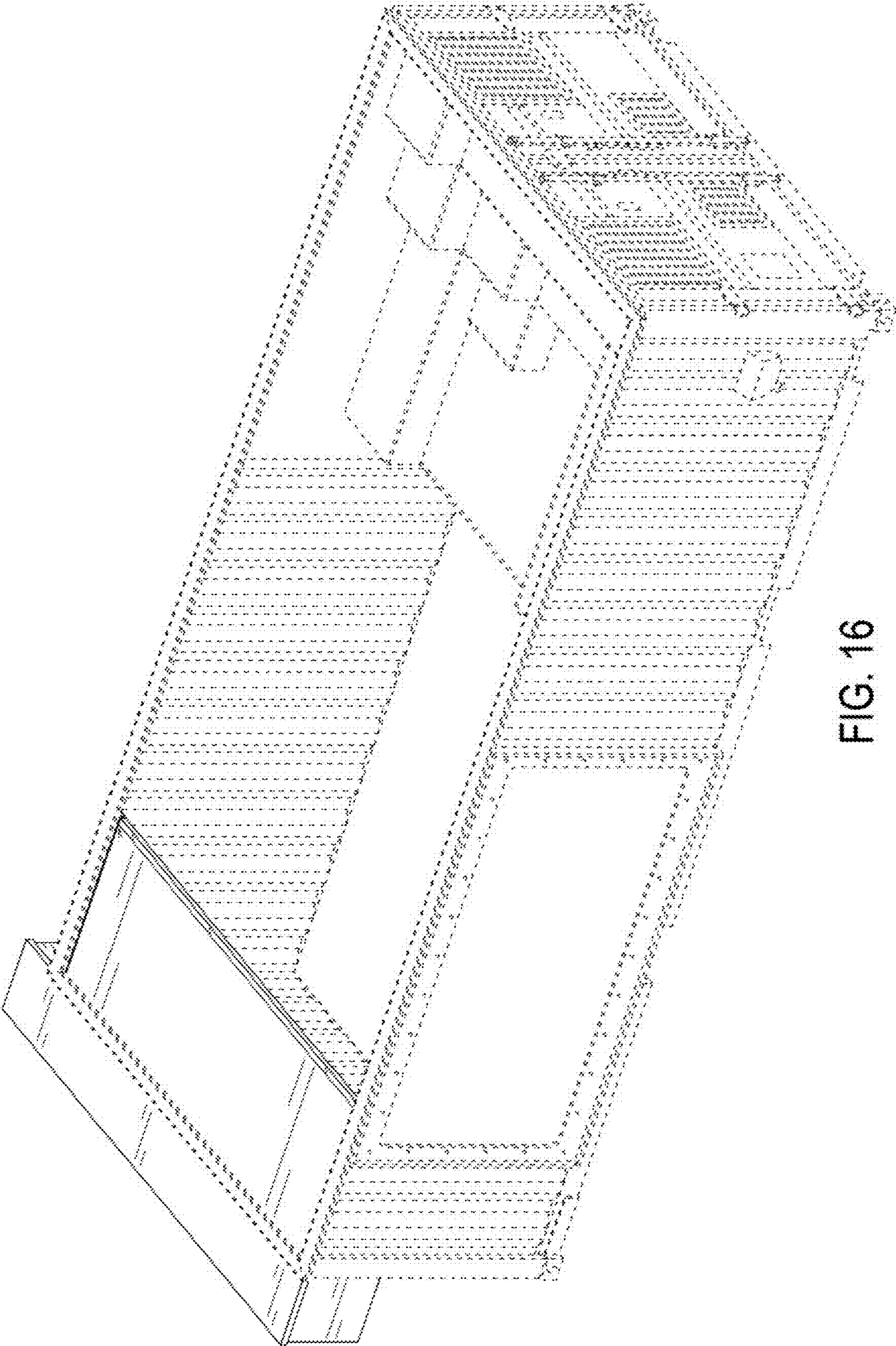


FIG. 16