



US00D864415S

(12) **United States Design Patent**
Norton et al.

(10) **Patent No.:** **US D864,415 S**
(45) **Date of Patent:** **** Oct. 22, 2019**

(54) **PARTICLE SORTING SYSTEM**

5,776,781 A 7/1998 Norton
D423,670 S 4/2000 Scheuble et al.
6,133,044 A 10/2000 Kanda
(Continued)

(71) Applicant: **Becton, Dickinson and Company,**
Franklin Lakes, NJ (US)

(72) Inventors: **Pierce O. Norton,** Los Gatos, CA (US);
Dennis F. Rey, Livermore, CA (US);
Jeannine K. Funderburk, Cupertino,
CA (US)

FOREIGN PATENT DOCUMENTS

EP 1815231 B1 9/2010
EP 1846748 B1 9/2016
EP 1745275 B1 12/2017

(73) Assignee: **BECTON, DICKINSON AND**
COMPANY, Franklin Lakes, NJ (US)

Primary Examiner — Anhdao Doan

(74) *Attorney, Agent, or Firm* — Edward J. Baba; Bret E.
Field; Bozicevic, Field & Francis LLP

(**) Term: **15 Years**

(57) **CLAIM**

(21) Appl. No.: **29/635,387**

The ornamental design for a particle sorting system, as
shown and described.

(22) Filed: **Jan. 30, 2018**

(51) **LOC (12) Cl.** **24-01**

DESCRIPTION

(52) **U.S. Cl.**

USPC **D24/232**

(58) **Field of Classification Search**

USPC D24/107, 185, 186, 216, 231–234;
D10/81

CPC G01N 15/1436; G01N 21/05; G01N
21/6428; G01N 2015/1006; G01N
2015/149; G01N 2015/1452; G01N
2021/6439; B01L 2200/0652

See application file for complete search history.

FIG. 1 is a front perspective view of a particle sorting
system;

FIG. 2 is a front perspective view of the particle sorting
system, with the doors open;

FIG. 3 is a front view of the particle sorting system, with the
doors removed;

FIG. 4 is a back view of the particle sorting system;

FIG. 5 is a first side view of the particle sorting system, with
the doors removed;

FIG. 6 is a second side view of the particle sorting system,
with the doors removed;

FIG. 7 is a top view of the particle sorting system, with the
doors removed;

FIG. 8 is a bottom view of the particle sorting system, with
the doors removed;

FIG. 9 is a front view of the particle sorting system;

FIG. 10 is a first side view of the particle sorting system;

FIG. 11 is a second side view of the particle sorting system;

FIG. 12 is a top view of the particle sorting system; and,

FIG. 13 is a bottom view of the particle sorting system.

(56) **References Cited**

U.S. PATENT DOCUMENTS

5,030,002 A * 7/1991 North, Jr. G01N 15/1404
209/3.1

D320,082 S 9/1991 Wyatt

D323,709 S 2/1992 Wyatt

D323,889 S 2/1992 Wyatt

D339,194 S 9/1993 Telang

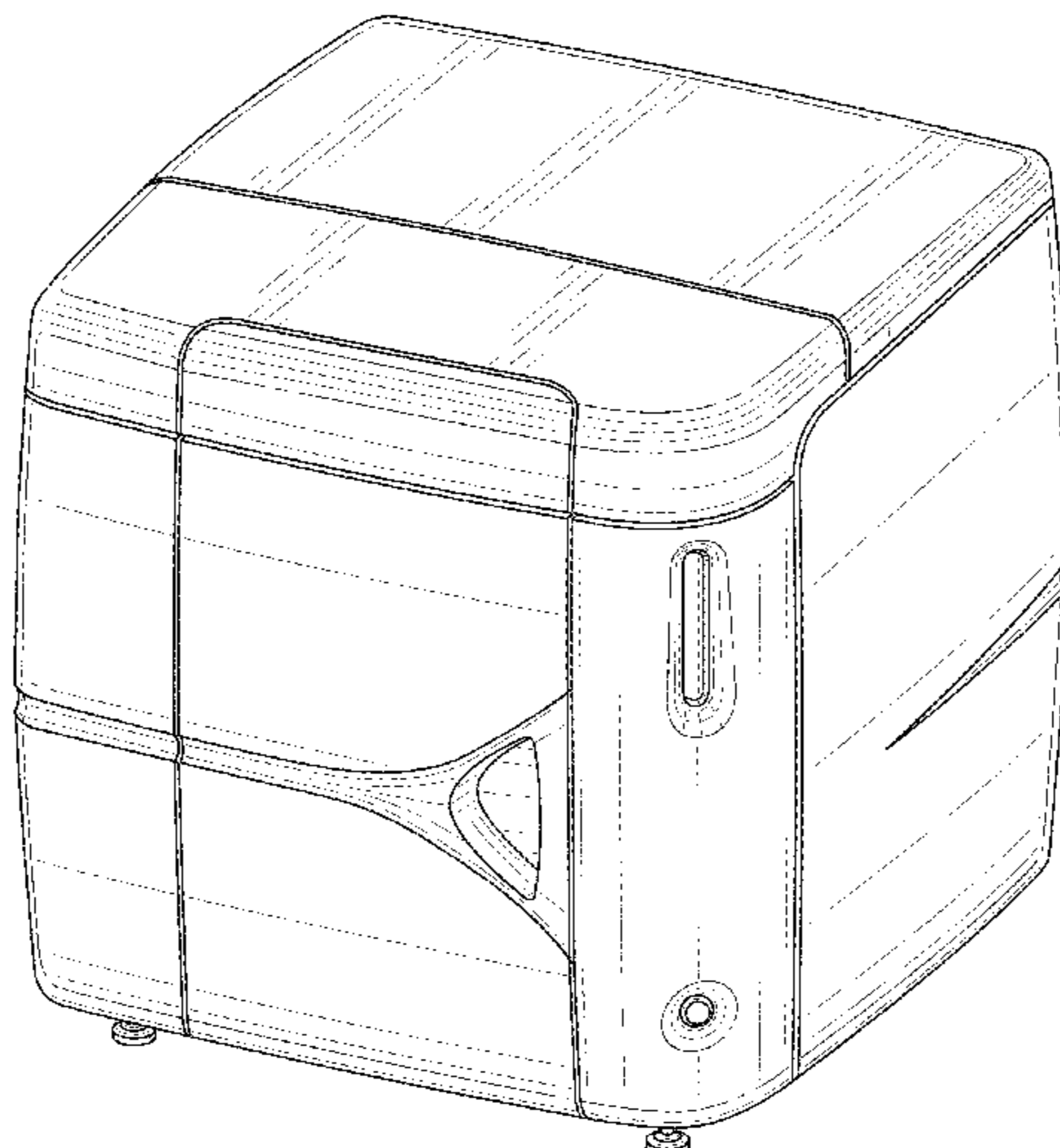
5,552,885 A 9/1996 Desjardins et al.

5,641,457 A 6/1997 Colon

D380,543 S 7/1997 Piontek et al.

D383,214 S 9/1997 Brennan

1 Claim, 13 Drawing Sheets



US D864,415 S

Page 2

(56)

References Cited

U.S. PATENT DOCUMENTS

6,149,867 A 11/2000 Hall et al.
6,263,745 B1 7/2001 Katsumoto
6,473,171 B1 10/2002 Buttry et al.
6,780,377 B2 8/2004 Hall et al.
6,890,487 B1 5/2005 Sklar et al.
6,947,136 B2 9/2005 Ortyn et al.
D529,603 S 10/2006 Knickerbocker et al.
7,471,394 B2 12/2008 Padmanabhan et al.
D584,407 S 1/2009 Kawamura
D588,693 S 3/2009 Strong et al.
D590,935 S 4/2009 Becker
7,553,453 B2 6/2009 Gu et al.
D599,234 S * 9/2009 Ito D10/81
7,630,063 B2 12/2009 Padmanabhan et al.
7,777,869 B2 5/2010 Nerin et al.
D620,075 S 7/2010 Yamaguchi et al.
7,760,351 B2 7/2010 Cox et al.
D622,846 S 8/2010 Frey
D627,065 S 11/2010 Ade et al.
7,884,301 B2 2/2011 Kirstein et al.
7,911,617 B2 3/2011 Padmanabhan et al.
7,978,329 B2 7/2011 Padmanabhan et al.
8,004,661 B2 8/2011 Luscher
8,062,609 B2 11/2011 Krager et al.
D651,709 S 1/2012 Zeyfang
8,182,767 B2 5/2012 Padmanabhan et al.
8,277,764 B2 10/2012 Gilbert et al.
8,323,564 B2 12/2012 Padmanabhan et al.
D676,567 S 2/2013 Van Den Engh
8,445,286 B2 5/2013 Bair et al.

D687,561 S * 8/2013 Iseki D24/216
8,610,892 B2 12/2013 Sharpe et al.
8,637,318 B2 * 1/2014 Durack C12N 5/0612
436/63
8,795,500 B2 8/2014 Shinoda
8,821,791 B2 9/2014 Shibata et al.
D715,925 S 10/2014 Suzuki
D717,438 S 11/2014 Lin
9,040,304 B2 5/2015 Durack et al.
D738,243 S * 9/2015 Selberg D24/232
9,162,229 B2 10/2015 Gaskill-fox et al.
9,339,850 B2 5/2016 Deshpande et al.
D759,260 S 6/2016 Topolovac et al.
D773,071 S * 11/2016 Hakoda D24/216
D777,317 S 1/2017 Soual et al.
9,556,413 B2 1/2017 Venter et al.
9,784,659 B2 10/2017 Tanase et al.
D802,150 S 11/2017 Lund
9,823,252 B2 11/2017 Gilbert et al.
9,857,286 B2 1/2018 Yosuke et al.
D815,754 S * 4/2018 Morkos D24/232
D825,776 S * 8/2018 Quick D24/232
D825,777 S * 8/2018 Quick D24/232
2004/0025602 A1 2/2004 Norton
2004/0062685 A1 4/2004 Norton
2004/0209266 A1 10/2004 Squirrell
2011/0217723 A1 9/2011 Durack
2011/0271746 A1 11/2011 Shinoda
2011/0284378 A1 11/2011 Shinoda
2015/0226759 A1 * 8/2015 Connolly G01N 35/109
435/287.3
2017/0299493 A1 10/2017 Norton

* cited by examiner

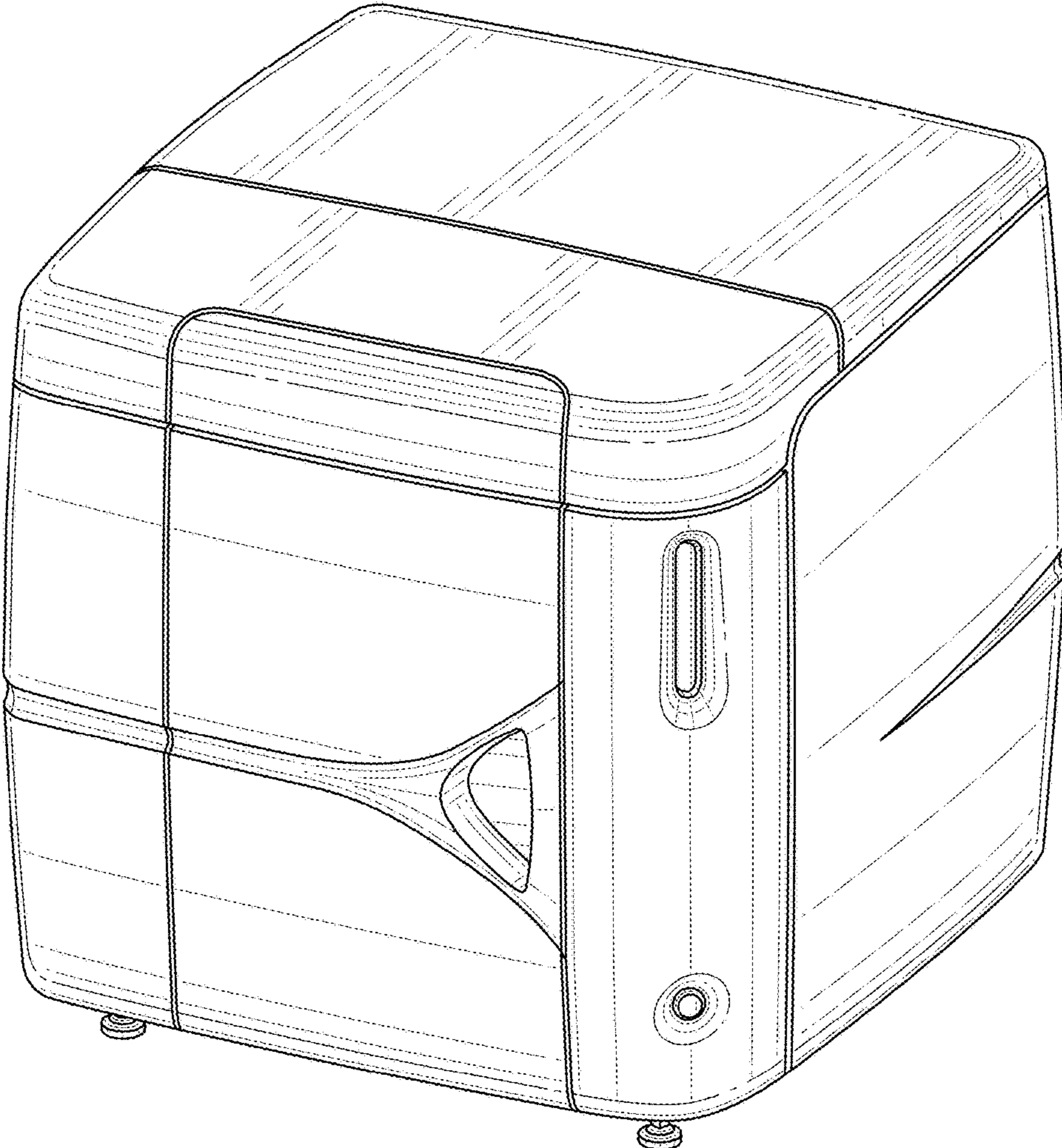


FIG. 1

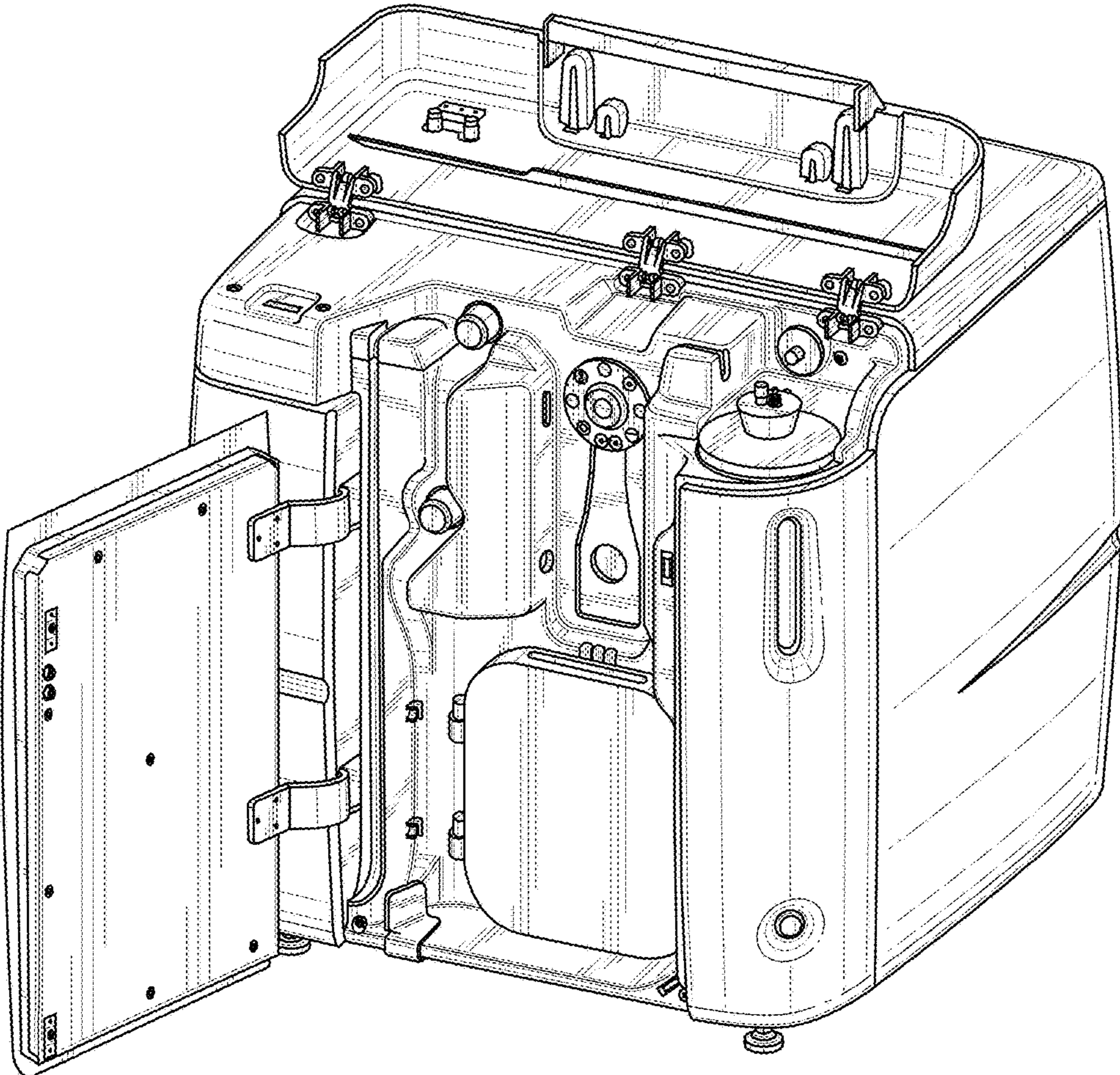


FIG. 2

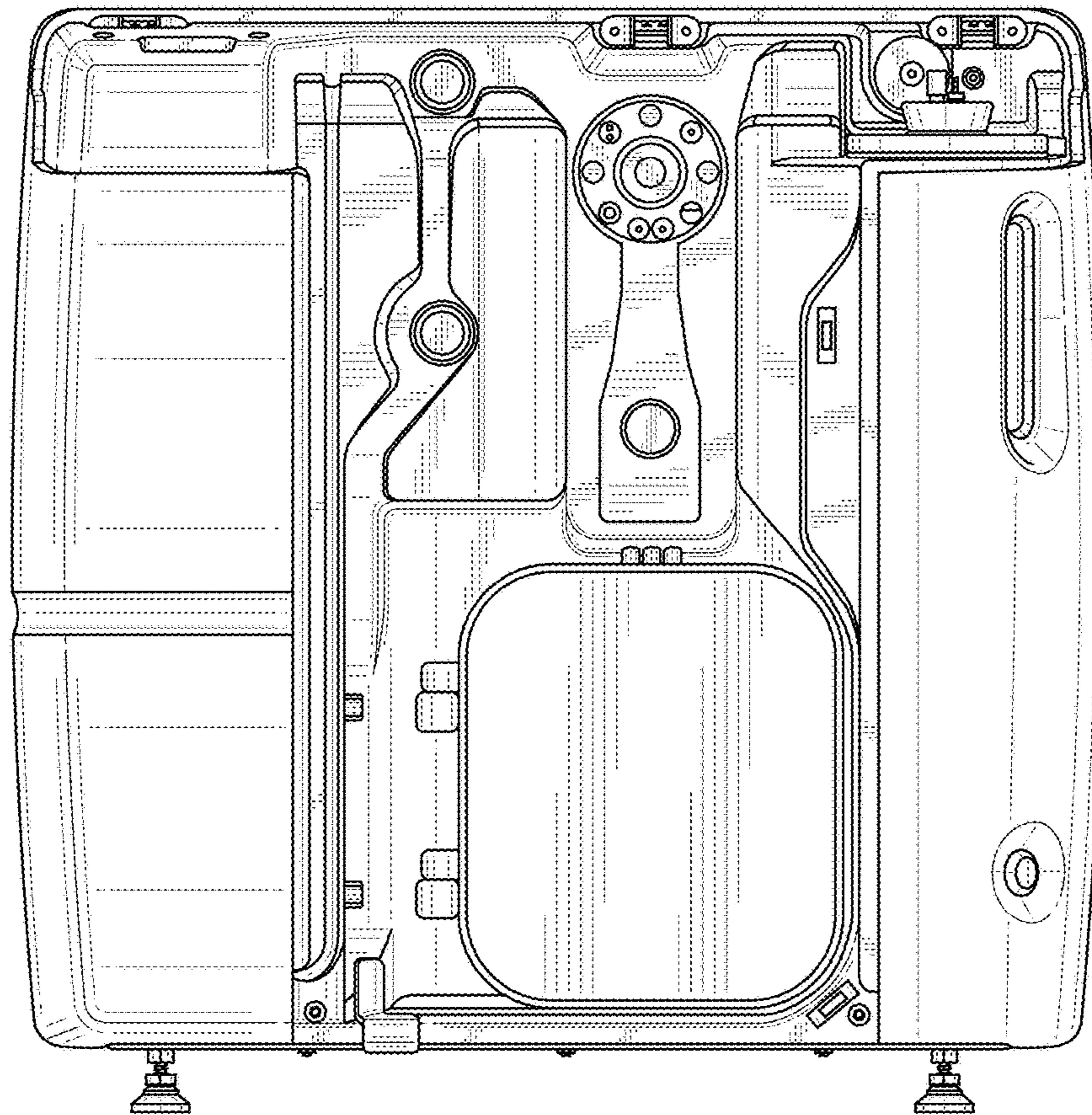


FIG. 3

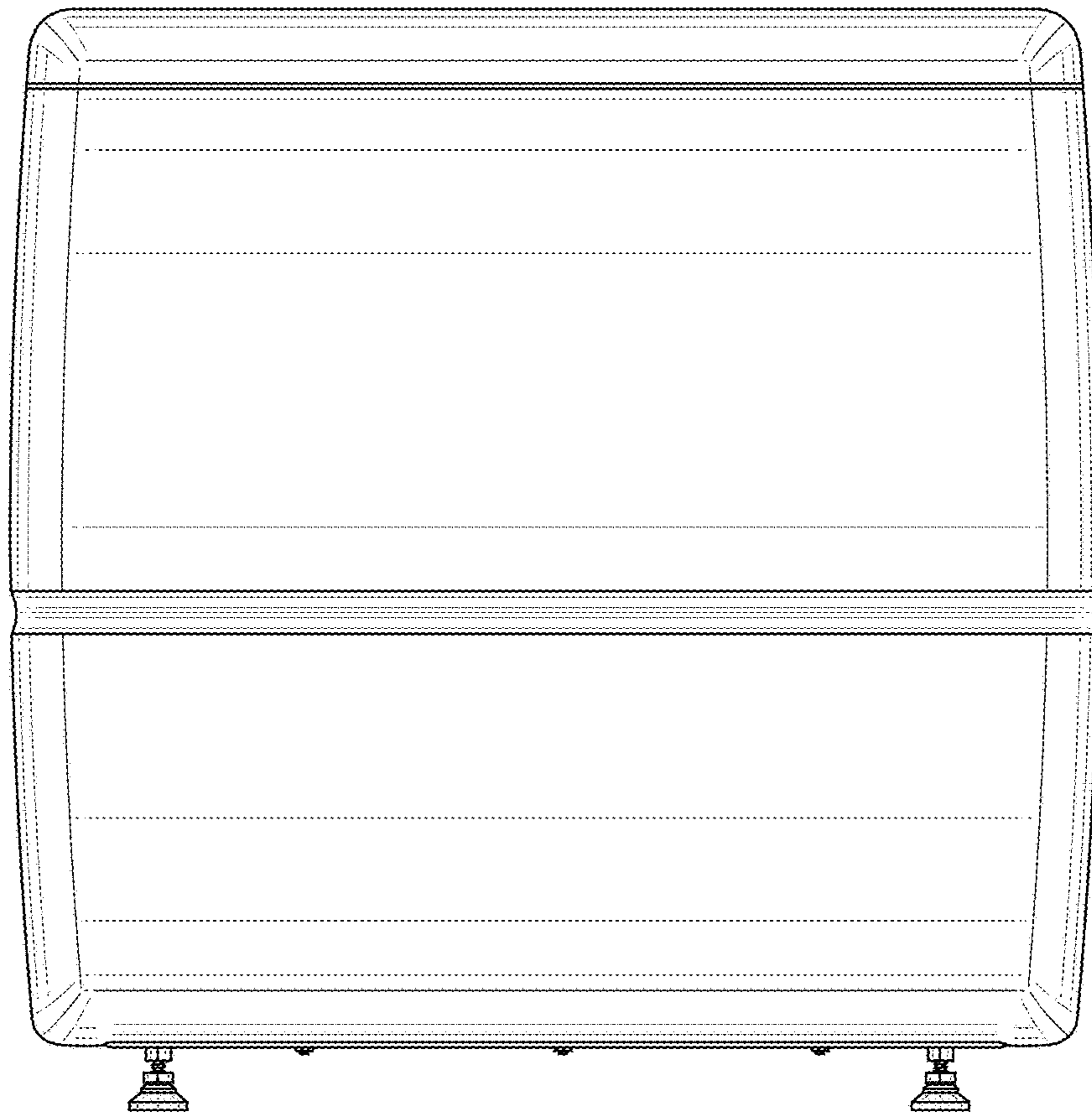


FIG. 4

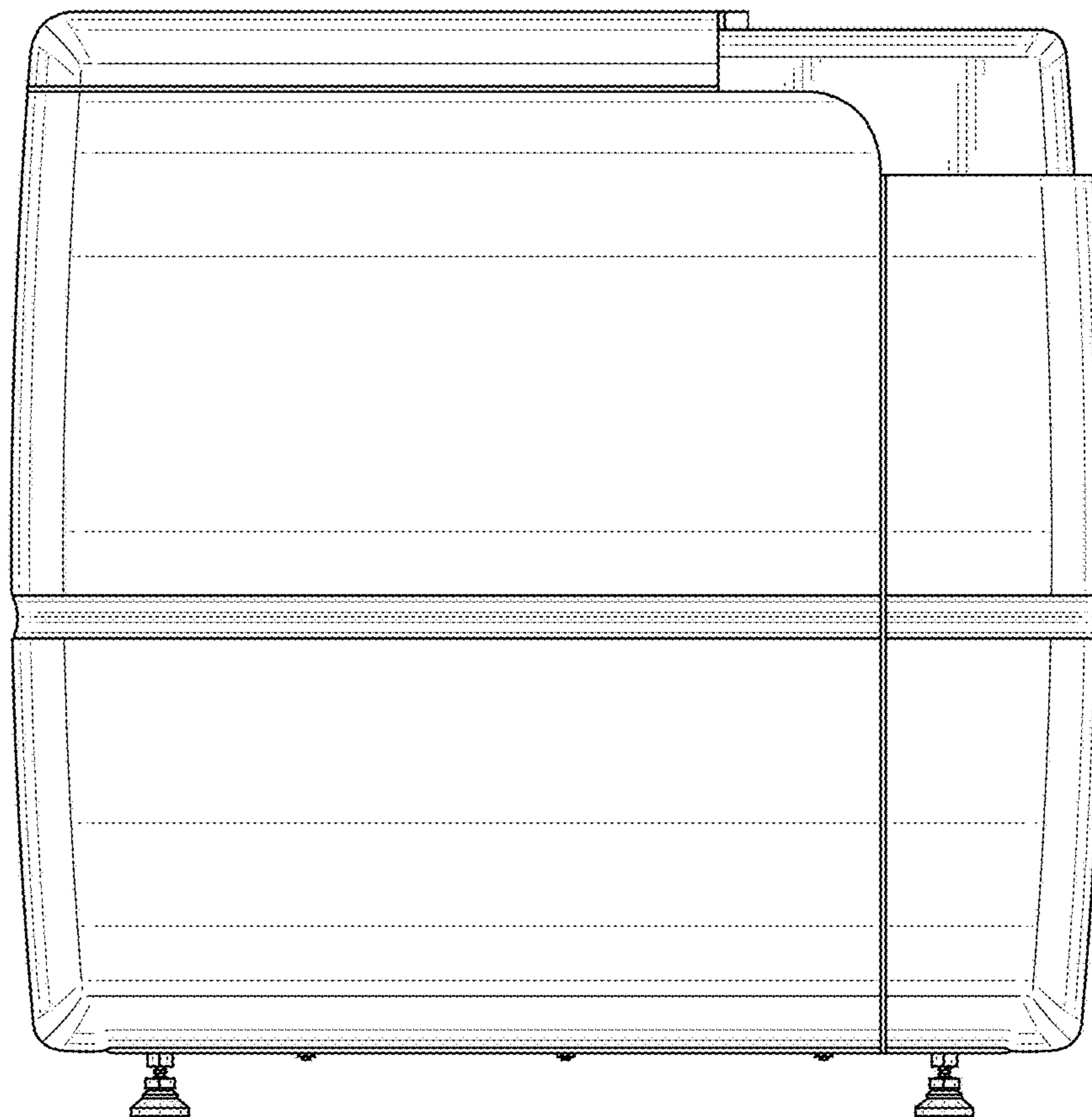


FIG. 5

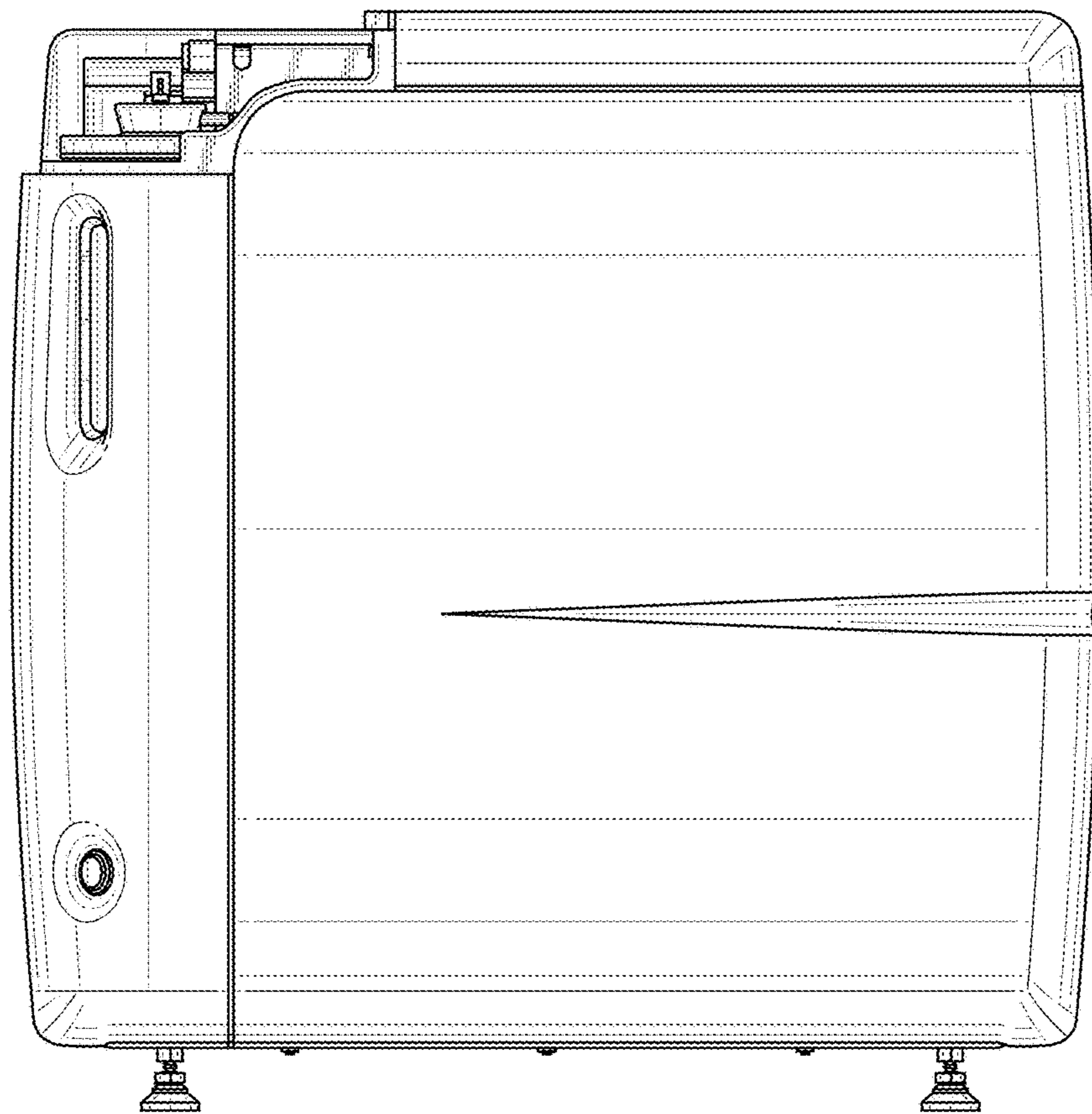


FIG. 6

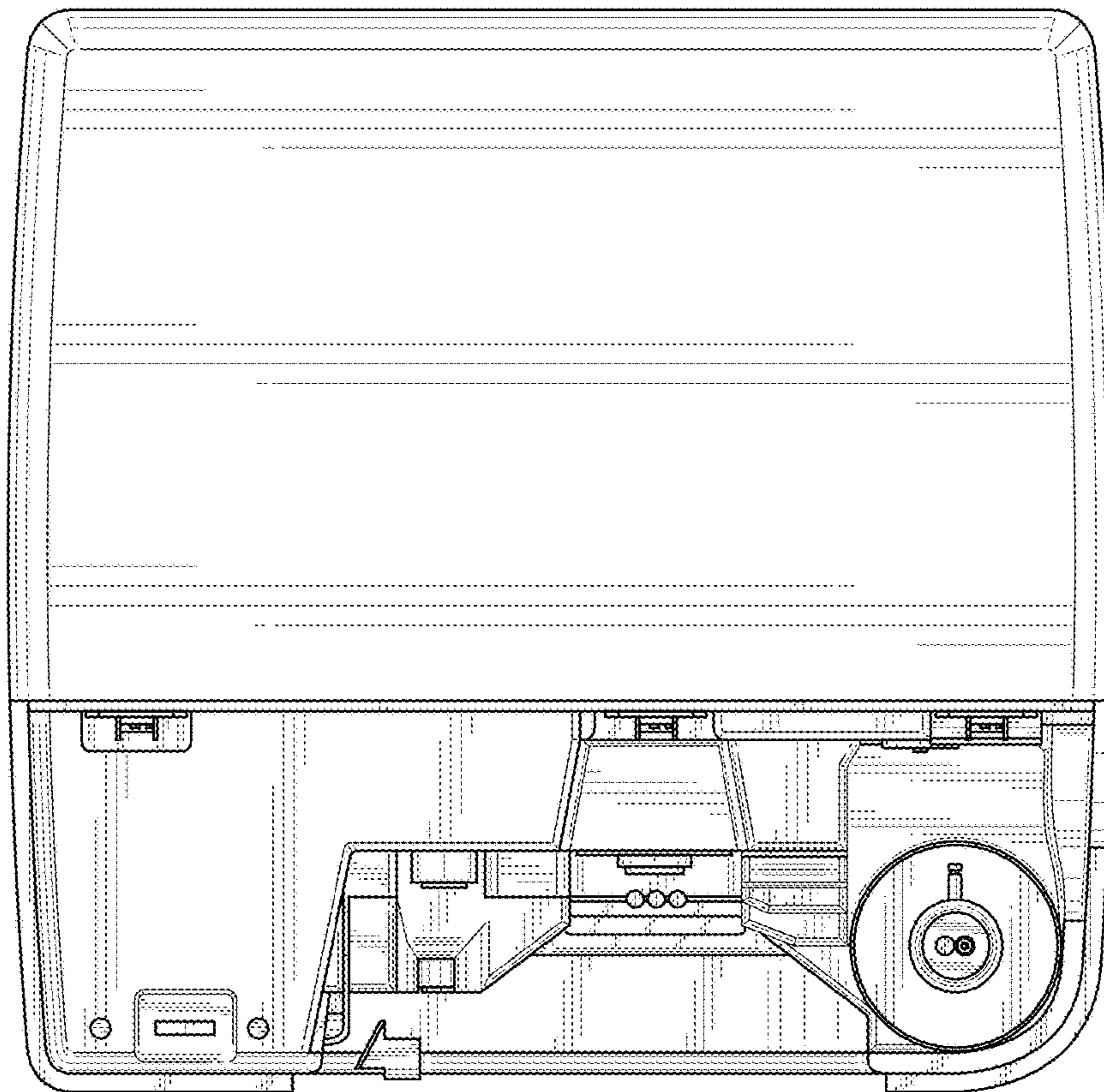


FIG. 7

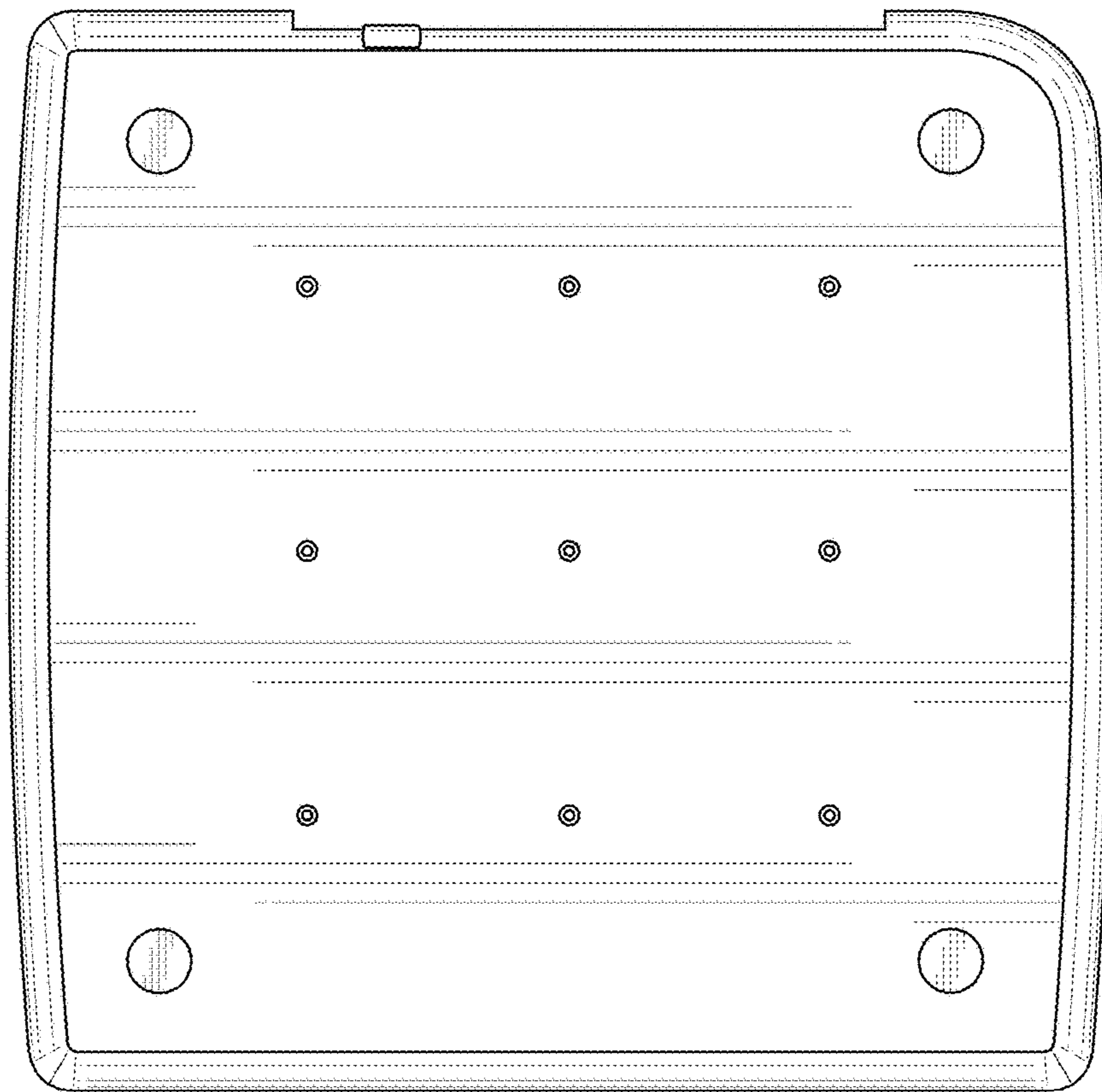


FIG. 8

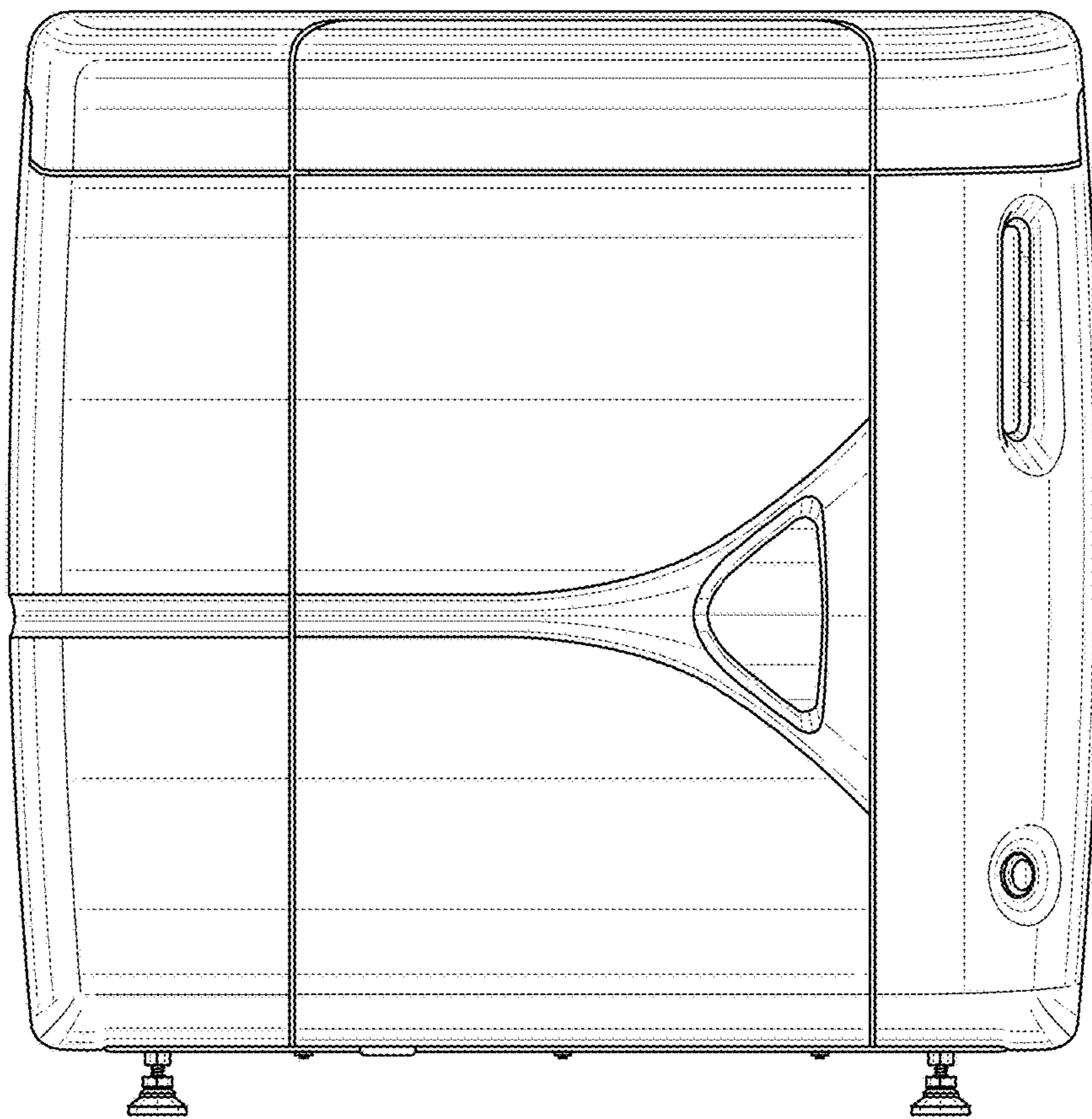


FIG. 9

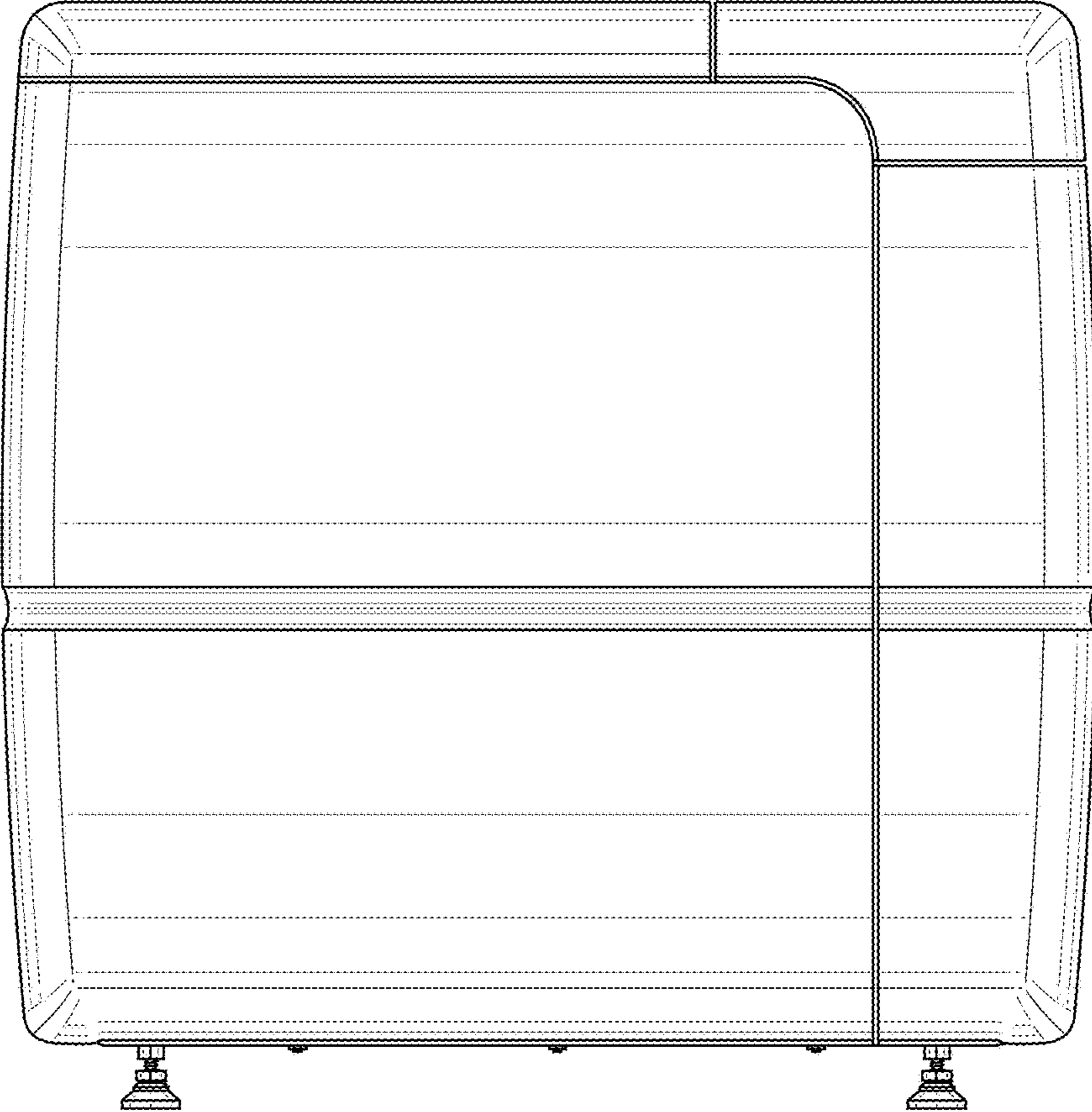


FIG. 10

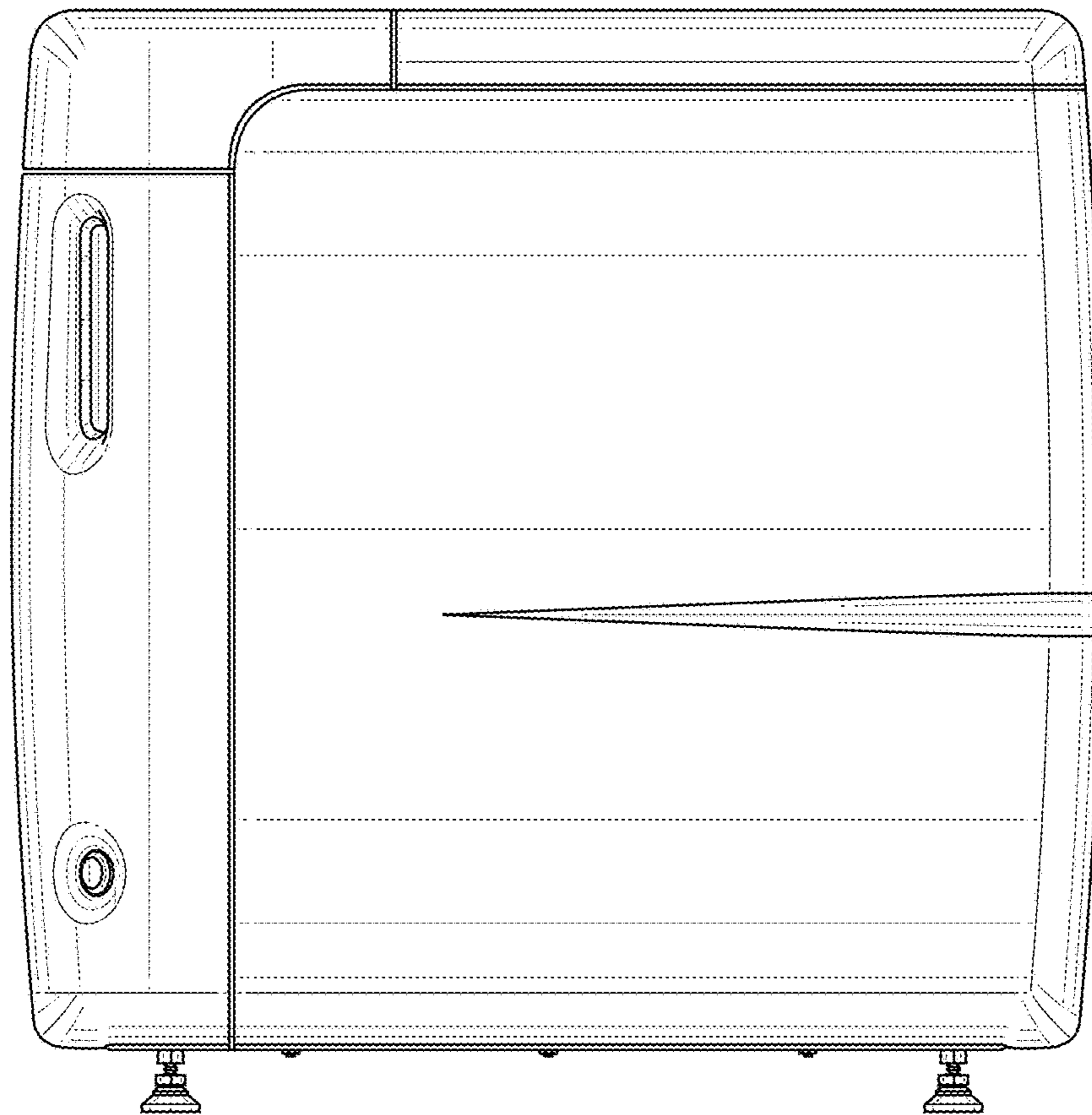


FIG. 11

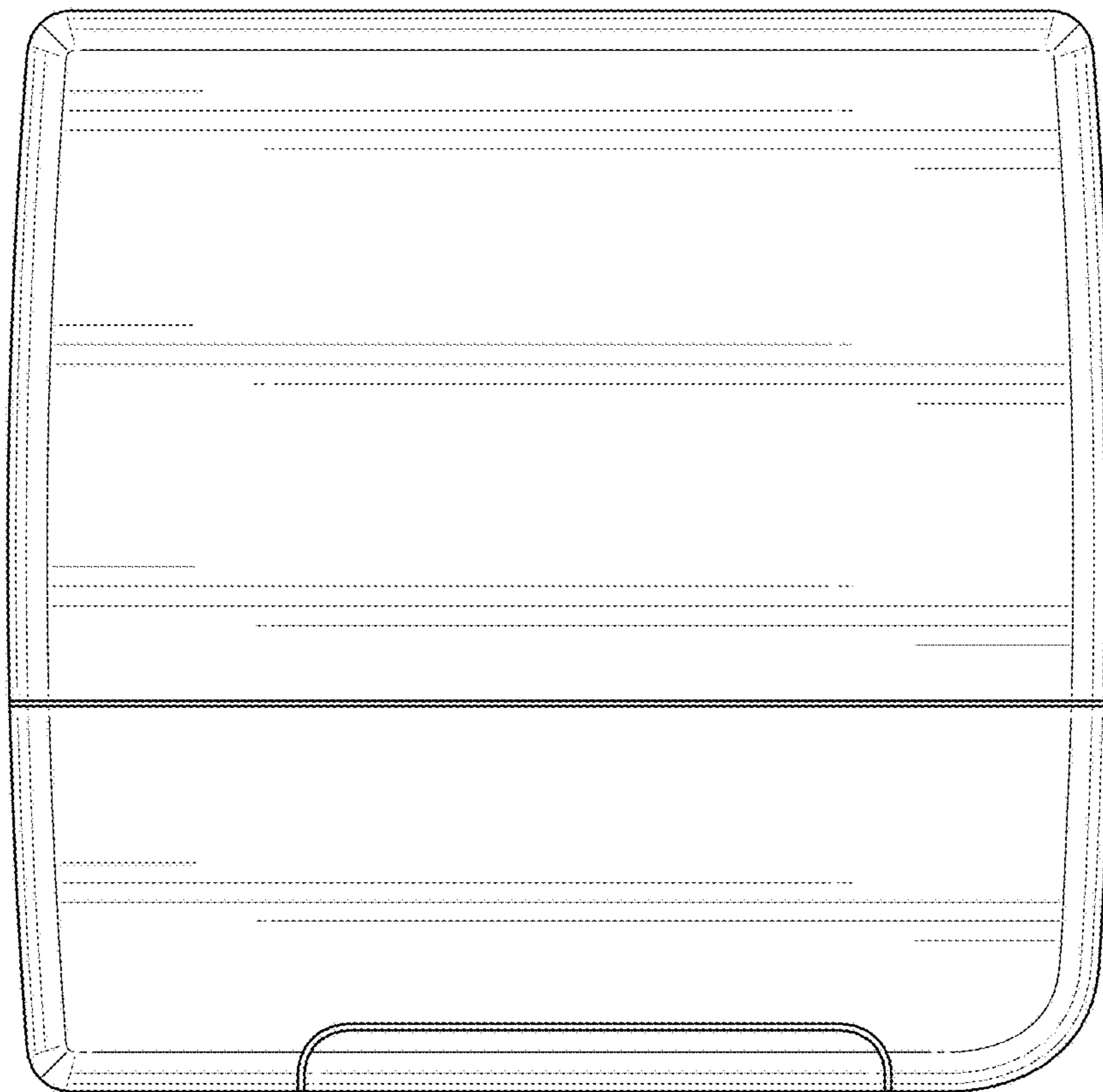


FIG. 12

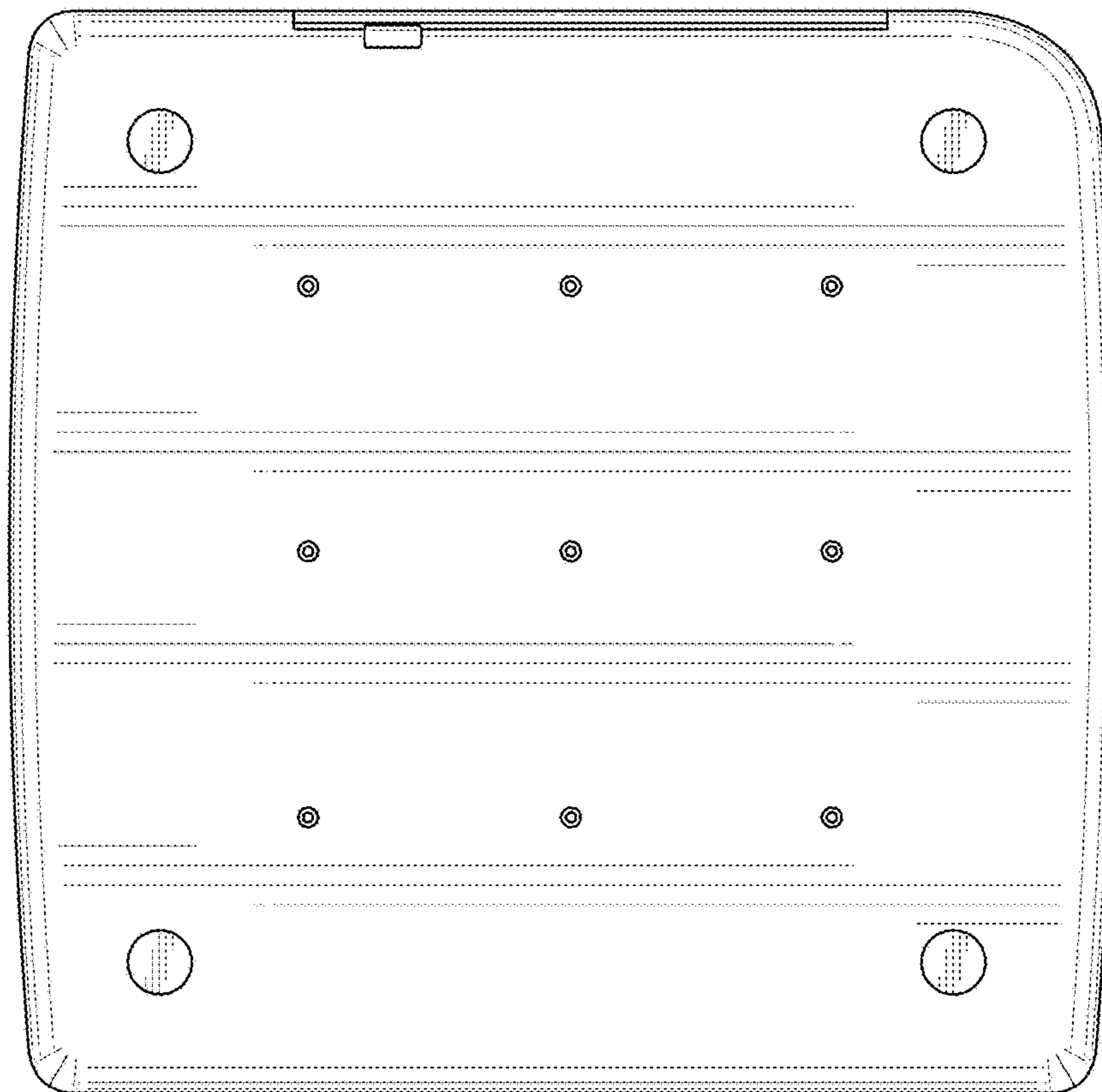


FIG. 13