

US00D864413S

(12) **United States Design Patent**
Ratner

(10) **Patent No.:** **US D864,413 S**

(45) **Date of Patent:** **** Oct. 22, 2019**

(54) **DEVICE FOR HARVESTING LYMPH NODES FROM FATTY TISSUE**

(71) Applicant: **Oleg Ratner**, San Diego, CA (US)

(72) Inventor: **Oleg Ratner**, San Diego, CA (US)

(**) Term: **15 Years**

(21) Appl. No.: **29/622,091**

(22) Filed: **Oct. 13, 2017**

(51) **LOC (12) Cl.** **24-02**

(52) **U.S. Cl.**
USPC **D24/224**

(58) **Field of Classification Search**
USPC D24/216, 224, 225, 226, 227, 229, 231, D24/232, 233; D3/203.1-203.8, 304, D3/313; D7/553.3; D9/425, 431, 432, D9/456, 520, 732; D8/72, 73, 74
CPC A61B 2017/00969; A61B 10/0233; A61B 17/32053; A61B 17/320016; A61B 18/1482; A61B 18/1485; A61B 2017/00101; A61B 2017/00526; A61B 2017/320064; B01L 3/5025; A61F 2002/4635; B65D 43/20; C12M 23/12
See application file for complete search history.

(56) **References Cited**

U.S. PATENT DOCUMENTS

5,096,676	A *	3/1992	McPherson	C30B 7/00
					117/206
5,127,537	A *	7/1992	Graham	B01L 9/00
					220/838
5,130,105	A *	7/1992	Carter	B01D 9/00
					422/215
D340,117	S *	10/1993	Smalley	D24/216
D349,773	S *	8/1994	Malin	D24/216
5,427,742	A *	6/1995	Holland	G01N 1/36
					422/536
5,484,731	A *	1/1996	Stevens	B01L 3/5085
					206/558

5,827,217	A *	10/1998	Silver	A61B 17/1637
					604/28
D421,498	S *	3/2000	Livingston	D24/224
D461,554	S *	8/2002	Lafond	D24/227
D694,085	S *	11/2013	Fukano	D8/72
D716,627	S *	11/2014	Lin	D8/74
D760,053	S *	6/2016	Schweigert	D8/74
D775,830	S *	1/2017	Duvigneau	D3/304

OTHER PUBLICATIONS

“Hamstring Harvesting Instrument Case” <<https://www.arthrex.com/products/AR-1279C>> Date Unknown.*

* cited by examiner

Primary Examiner — Cathron C Brooks
Assistant Examiner — Samantha Q Lawrence
(74) *Attorney, Agent, or Firm* — Wagenknecht IP Law Group PC

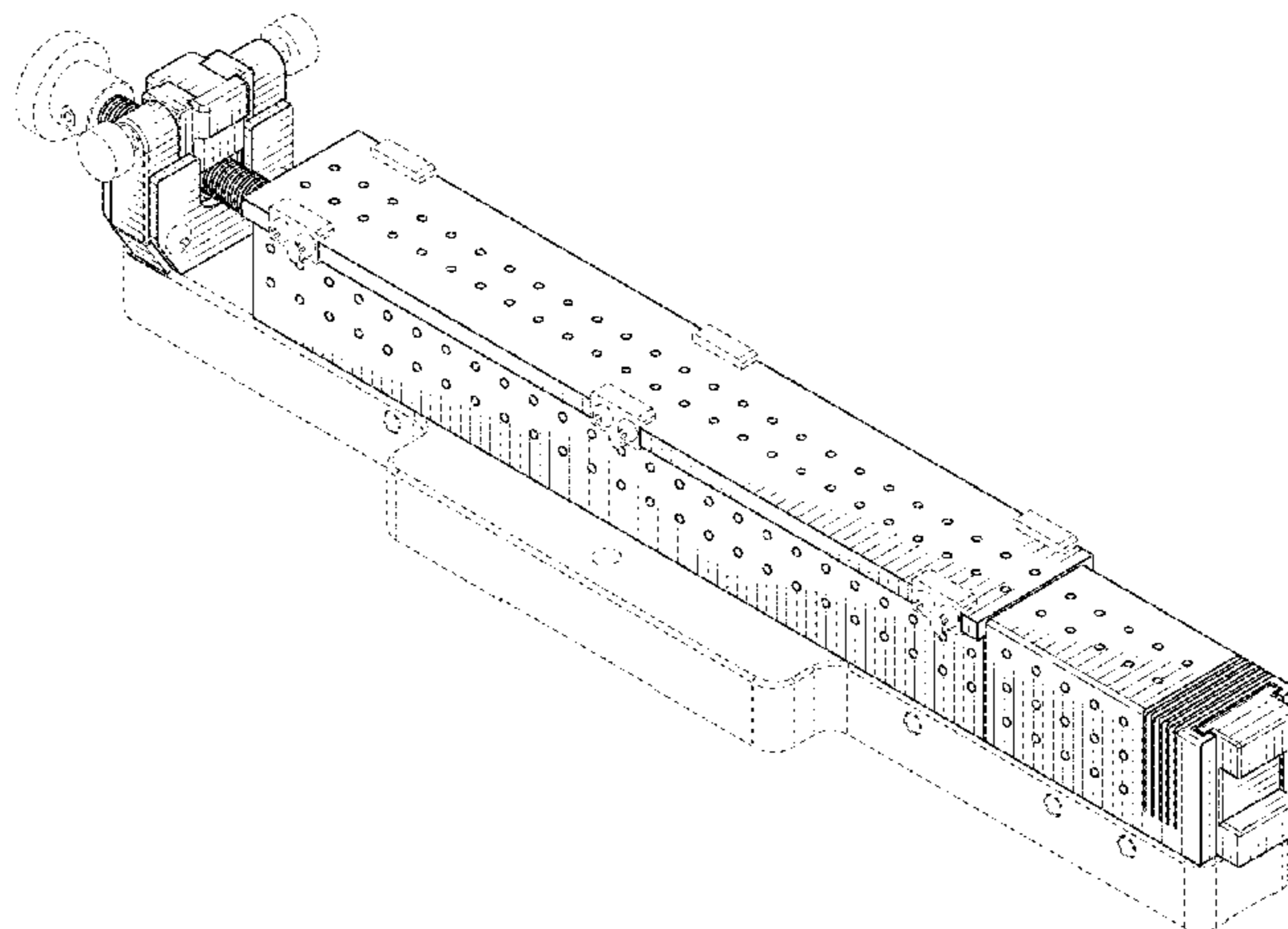
(57) **CLAIM**

What is claimed is an ornamental design for a device for harvesting lymph nodes from fatty tissue, as shown and described.

DESCRIPTION

FIG. 1 is a front, top, right perspective view of a device for harvesting lymph nodes from fatty tissue showing my new design;
FIG. 2 is a right side elevational view thereof;
FIG. 3 is a left side elevational view thereof;
FIG. 4 is a rear elevational view thereof;
FIG. 5 is a front elevational view thereof;
FIG. 6 is a top plan view thereof;
FIG. 7 is a bottom plan view thereof; and,
FIG. 8 is a rear, top, left perspective view thereof.
The broken lines shown in FIGS. 1-8, including the lines shown within the small circular openings, illustrate portions of the device for harvesting lymph nodes from fatty tissue that form no part of the claimed design.

1 Claim, 5 Drawing Sheets



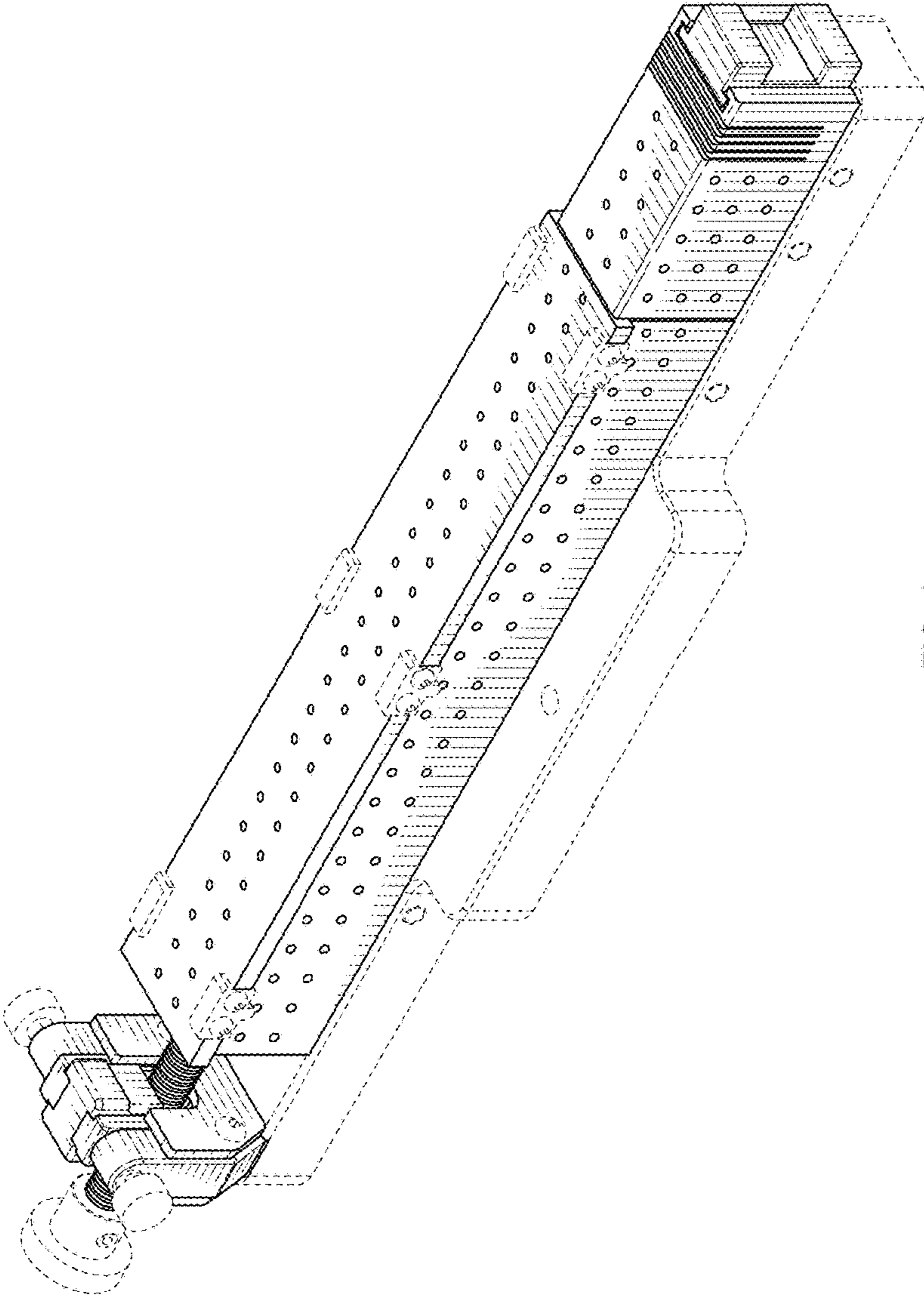


FIG. 1

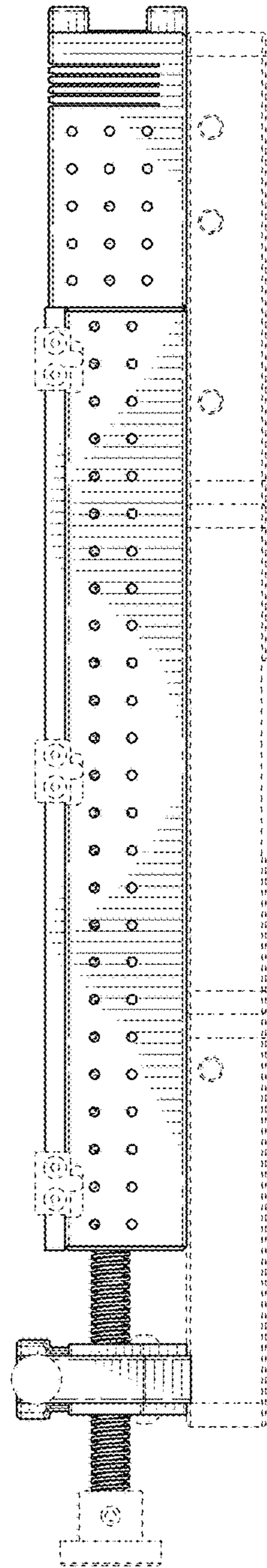


FIG. 2

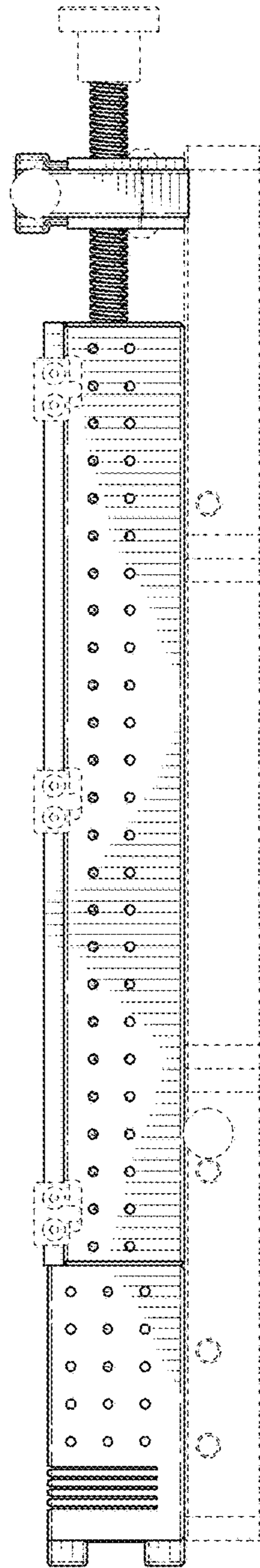


FIG. 3

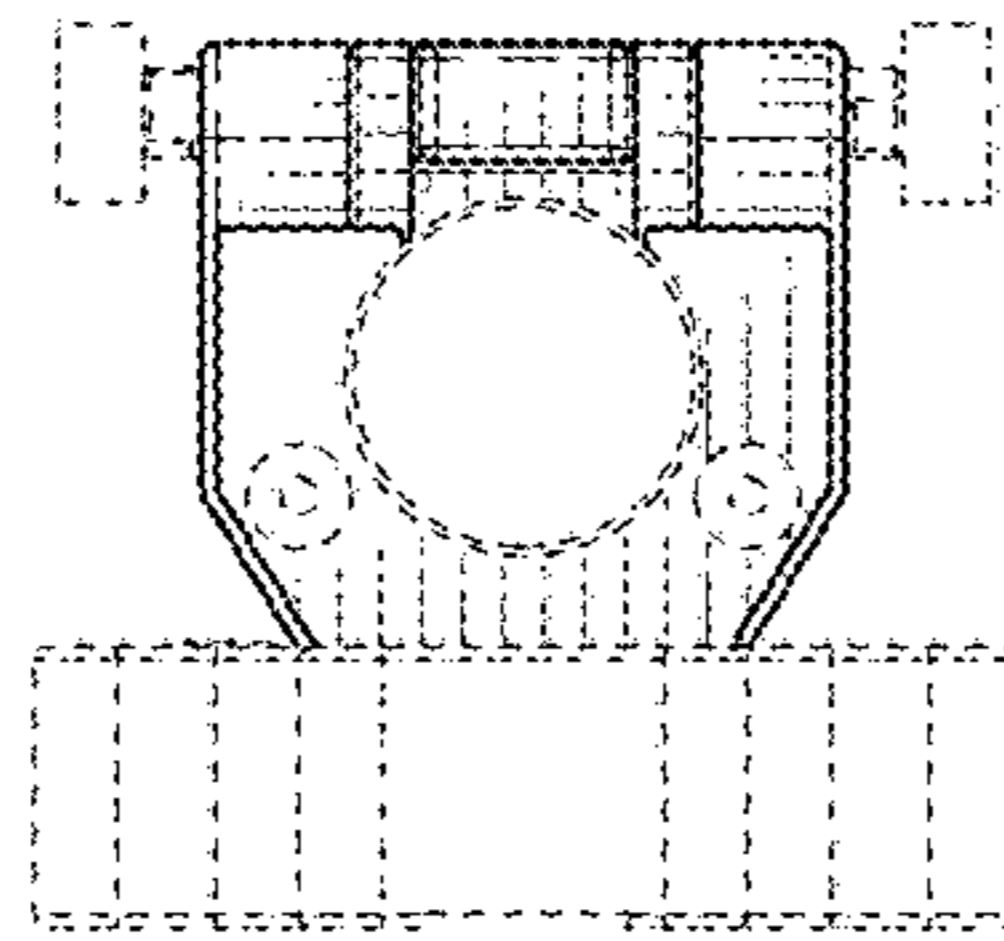


FIG. 4

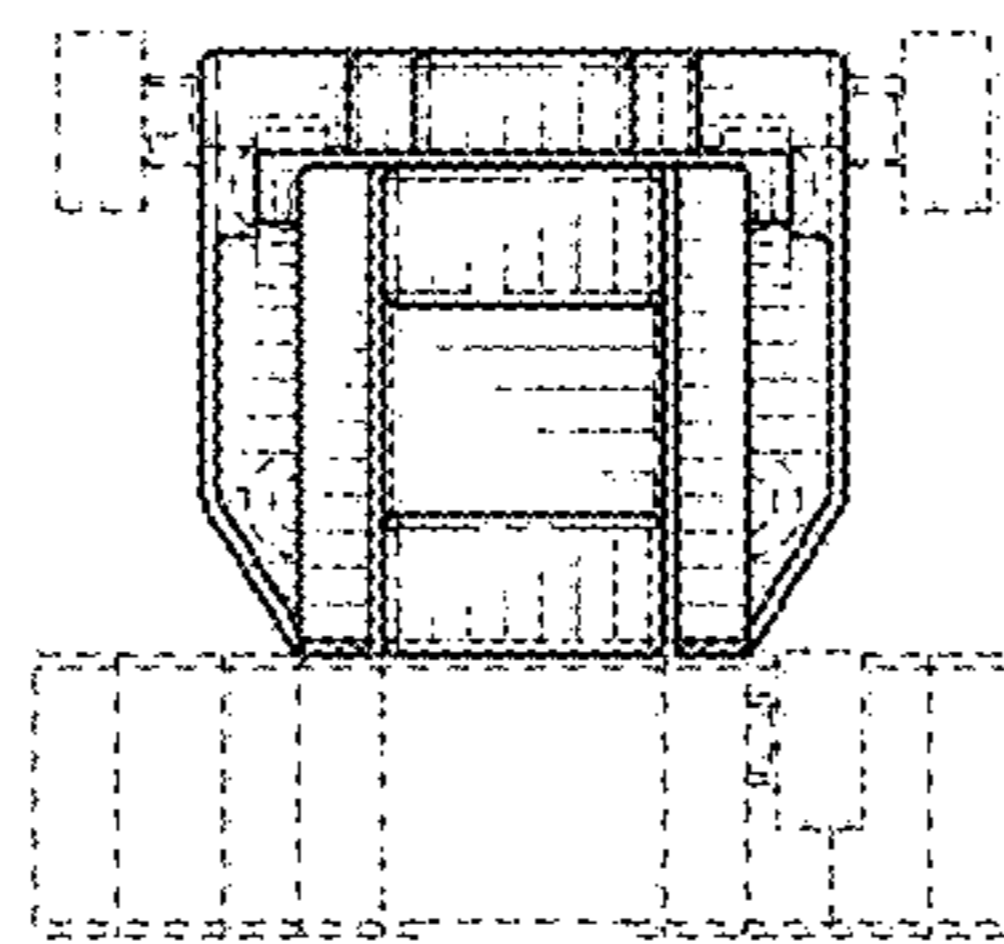


FIG. 5

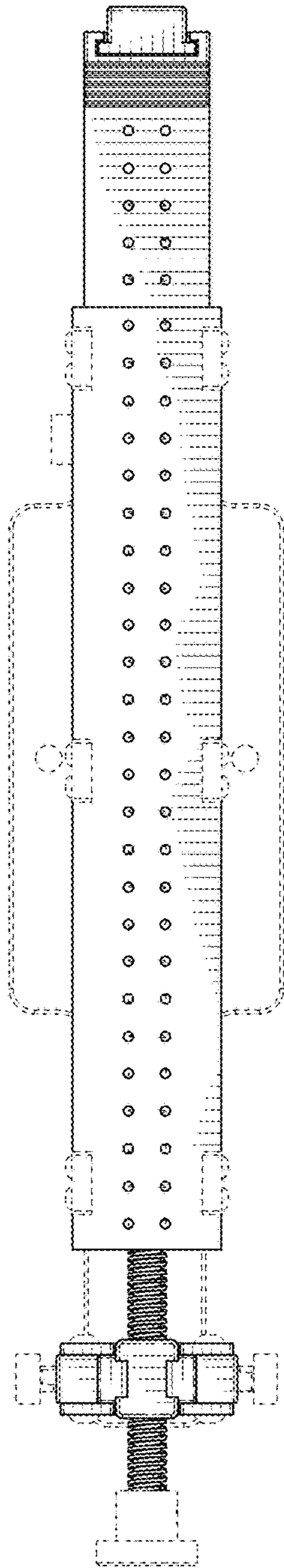


FIG. 6

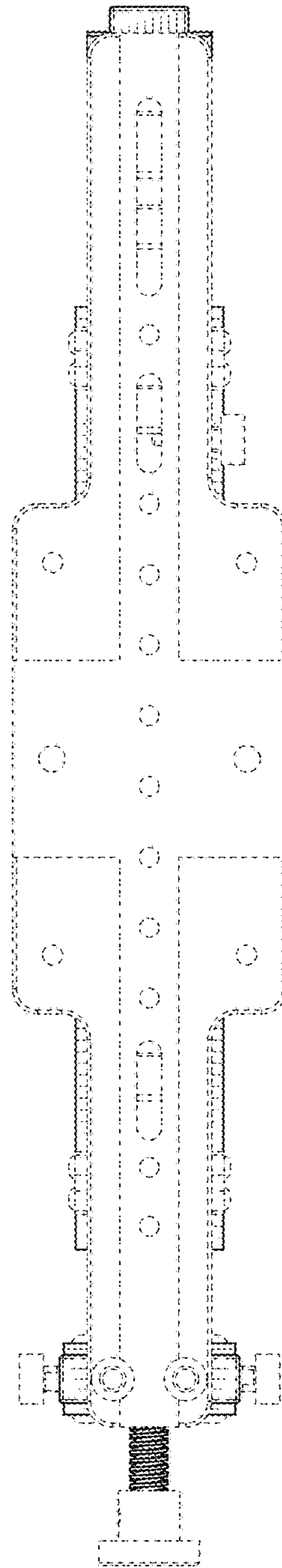


FIG. 7

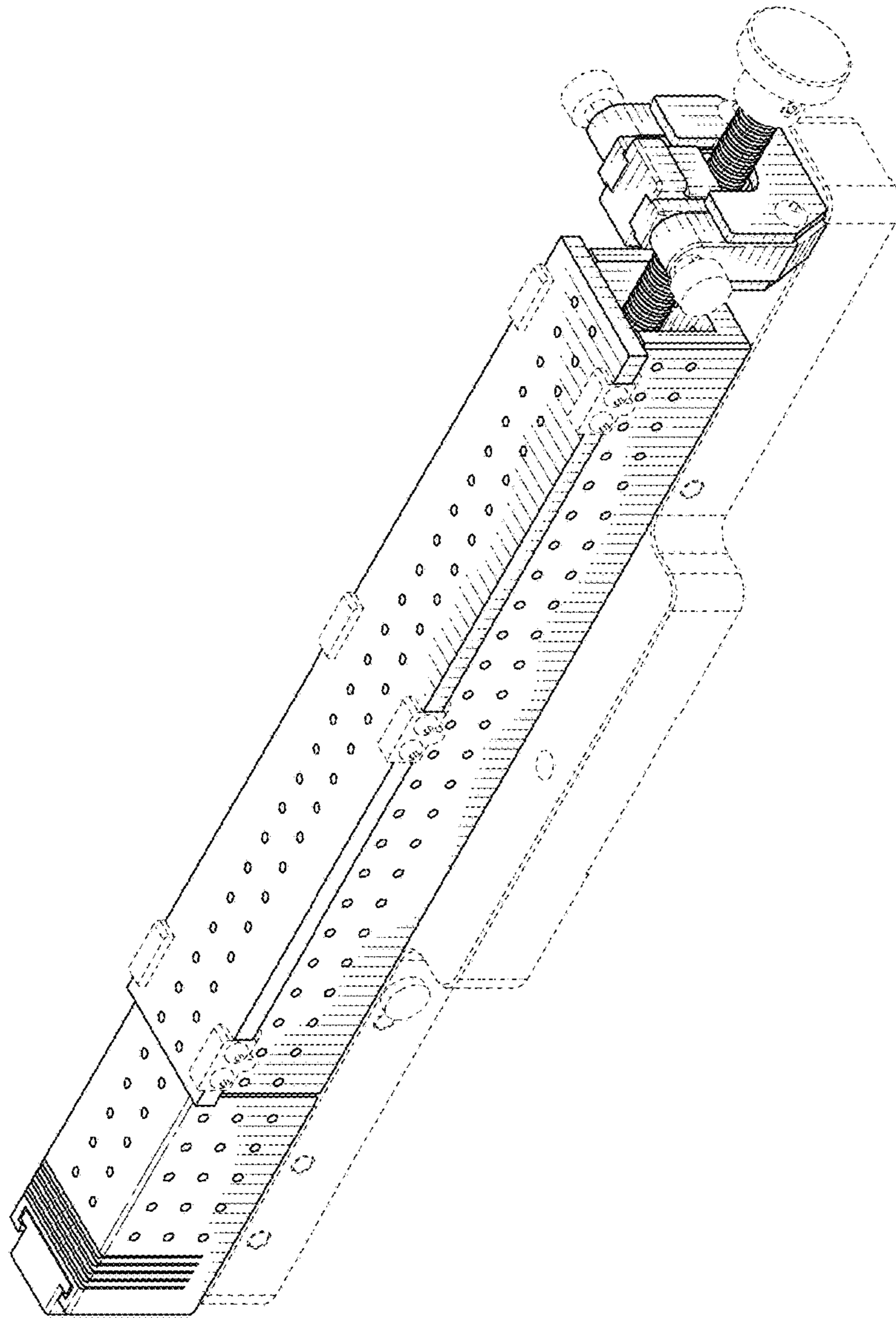


FIG. 8