



US00D864412S

(12) **United States Design Patent**  
**Dangelo et al.**

(10) **Patent No.: US D864,412 S**  
(45) **Date of Patent: \*\* Oct. 22, 2019**

(54) **CARTRIDGE CHASSIS**  
(71) Applicant: **Illumina, Inc.**, San Diego, CA (US)  
(72) Inventors: **Michael Thomas Dangelo**, San Diego, CA (US); **James Michael Osmus**, San Diego, CA (US); **Lea Sandra Kobeli**, San Francisco, CA (US); **Edward Wilson Licitra**, San Francisco, CA (US)

7,036,667 B2 \* 5/2006 Greenstein ..... B01L 9/527  
206/205  
D565,742 S \* 4/2008 Parunak ..... D24/224  
D566,291 S \* 4/2008 Parunak ..... D24/224  
D578,758 S \* 10/2008 Stevens ..... D3/272  
(Continued)

(73) Assignee: **Illumina, Inc.**, San Diego, CA (US)

FOREIGN PATENT DOCUMENTS

TW D182357 S 4/2017

(\*\*) Term: **15 Years**

OTHER PUBLICATIONS

U.S. Appl. No. 29/589,638, filed Jan. 3, 2017, Dangelo, et al.  
(Continued)

(21) Appl. No.: **29/589,643**

*Primary Examiner* — Vy N Koenig  
(74) *Attorney, Agent, or Firm* — Weaver Austin  
Villeneuve & Sampson LLP

(22) Filed: **Jan. 3, 2017**

(51) **LOC (12) Cl.** ..... **24-02**

(52) **U.S. Cl.**  
USPC ..... **D24/224**

(57) **CLAIM**

We claim the ornamental design for a cartridge chassis, as shown and described.

(58) **Field of Classification Search**  
USPC ..... D24/216, 217, 219, 220, 223, 224, 225,  
D24/226, 227, 232, 233; D9/424, 425,  
D9/432, 732, 735, 749, 755, 758, 760;  
D7/550.1, 553.1–553.5, 554.3, 554.4;  
D18/43, 44; D3/294–295

**DESCRIPTION**

FIG. 1 is an isometric view of a cartridge chassis.  
FIG. 2 is a right side view of the cartridge chassis of FIG. 1.  
FIG. 3 is a left side view of the cartridge chassis of FIG. 1.  
FIG. 4 is a top view of the cartridge chassis of FIG. 1.  
FIG. 5 is a bottom view of the cartridge chassis of FIG. 1.  
FIG. 6 is a rear view of the cartridge chassis of FIG. 1.  
FIG. 7 is a front view of the cartridge chassis of FIG. 1.  
FIG. 8 is an off-angle perspective view of the underside of the cartridge chassis of FIG. 1; and,  
FIG. 9 is another off-angle perspective view of the underside of the cartridge chassis of FIG. 1.  
Stipple shading is used in the accompanying FIGS. 1-9 to convey surface contouring and is not indicative of any particular texture or coloring.

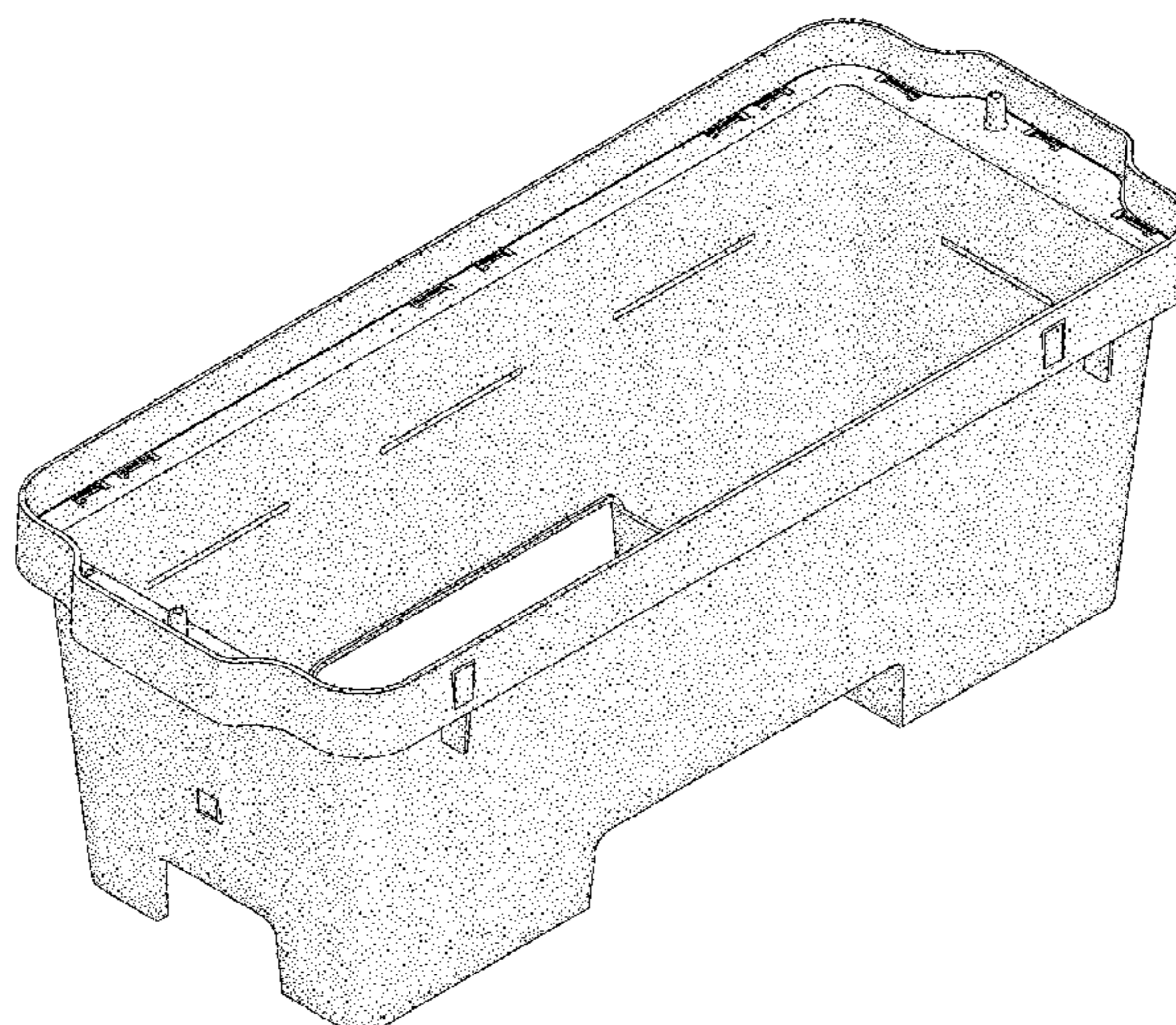
CPC ..... A47G 23/06; A61B 50/20; A61B 50/30;  
A61J 1/00; B01L 3/50; B01L 3/52; B01L  
7/00; B01L 7/02; C07K 1/26; C12Q 1/00  
See application file for complete search history.

(56) **References Cited**

U.S. PATENT DOCUMENTS

4,798,292 A \* 1/1989 Hauze ..... A61L 2/26  
206/439  
D332,664 S \* 1/1993 Sincock ..... D24/130  
D339,869 S \* 9/1993 Schea, III ..... D24/224  
D438,632 S \* 3/2001 Miller ..... D24/216  
D451,278 S \* 12/2001 Cooper ..... D3/294  
D510,802 S \* 10/2005 Sagol ..... D3/273

**1 Claim, 9 Drawing Sheets**



(56)

**References Cited**

U.S. PATENT DOCUMENTS

D604,604	S *	11/2009	Strange	.....	D9/424
D624,194	S *	9/2010	Pack	.....	D24/224
D632,803	S *	2/2011	Motadel	.....	D24/229
D657,473	S *	4/2012	Miyashita	.....	D24/224
D674,112	S *	1/2013	Demas	.....	D24/226
D691,733	S *	10/2013	Demas	.....	D24/226
D699,370	S *	2/2014	Motadel	.....	D24/229
D717,470	S *	11/2014	Demas	.....	D24/226
D724,236	S *	3/2015	Motadel	.....	D24/227
D732,186	S *	6/2015	Burroughs	.....	D24/226
9,198,811	B2 *	12/2015	Pizzato	.....	A61F 17/00
9,610,126	B2 *	4/2017	Griffin	.....	A61B 50/30
D825,774	S *	8/2018	Self	.....	D24/224
D827,149	S *	8/2018	Self	.....	D24/224
10,071,381	B2 *	9/2018	Welch	.....	A61B 5/15
2010/0221151	A1 *	9/2010	Motadel	.....	B01L 9/543 422/526
2011/0236278	A1 *	9/2011	Motadel	.....	B01L 9/543 422/560
2014/0234182	A1 *	8/2014	Motadel	.....	B01L 9/543 422/526

OTHER PUBLICATIONS

- U.S. Appl. No. 29/589,640, filed Jan. 3, 2017, Dangelo, et al.
- U.S. Appl. No. 29/589,641, filed Jan. 3, 2017, Dangelo, et al.
- U.S. Appl. No. 29/589,642, filed Jan. 3, 2017, Dangelo, et al.

\* cited by examiner

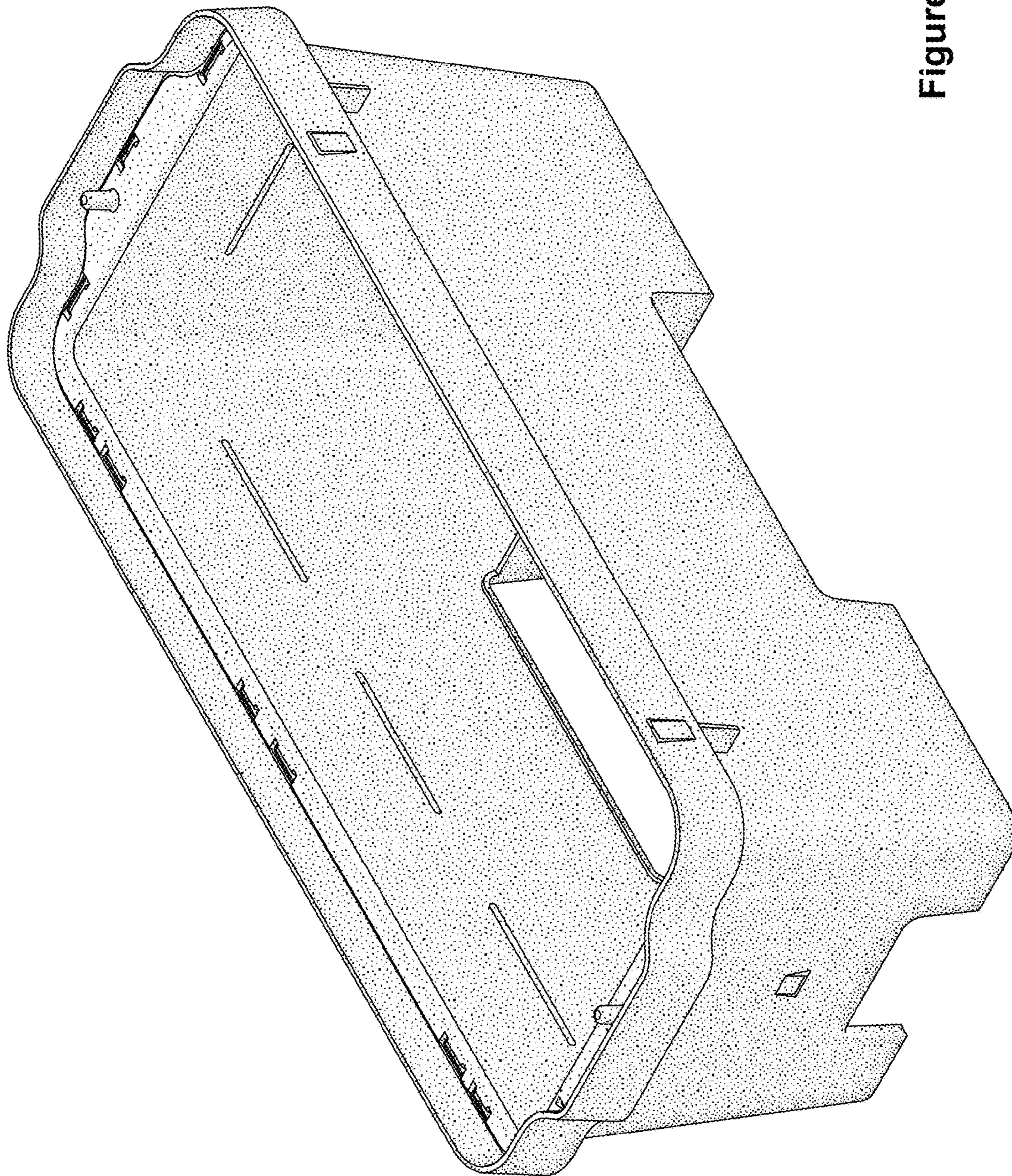


Figure 1

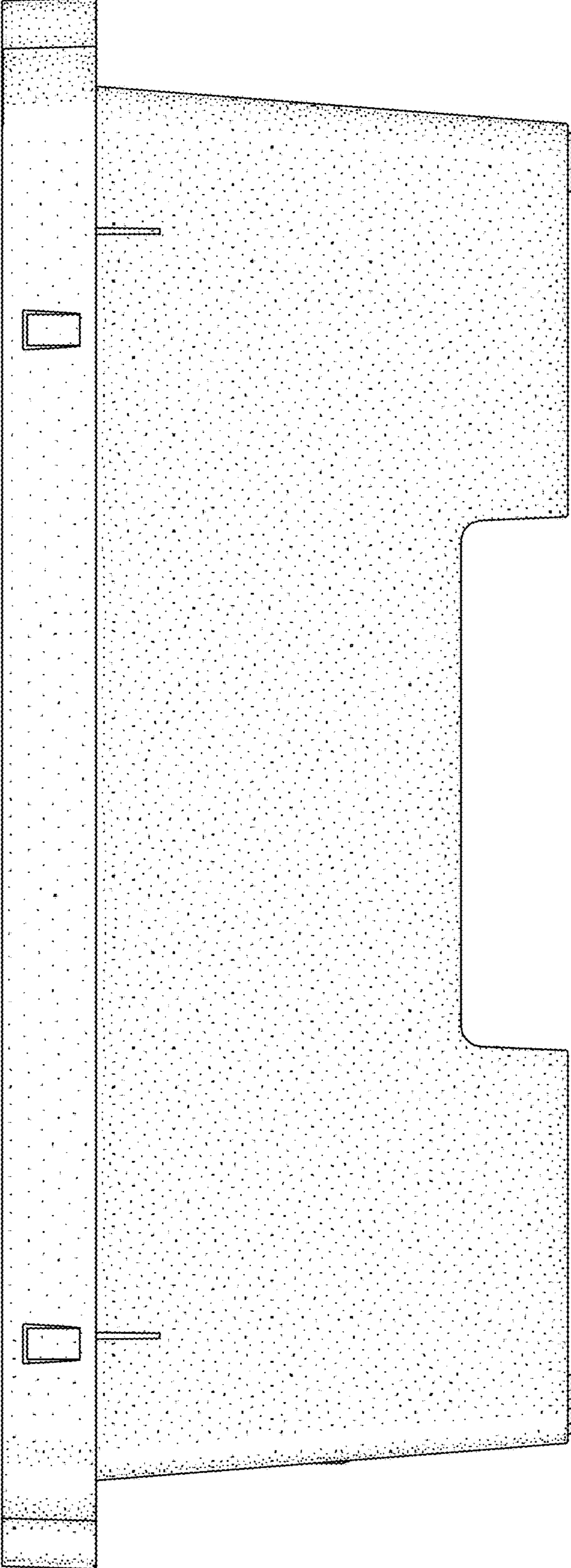


Figure 2

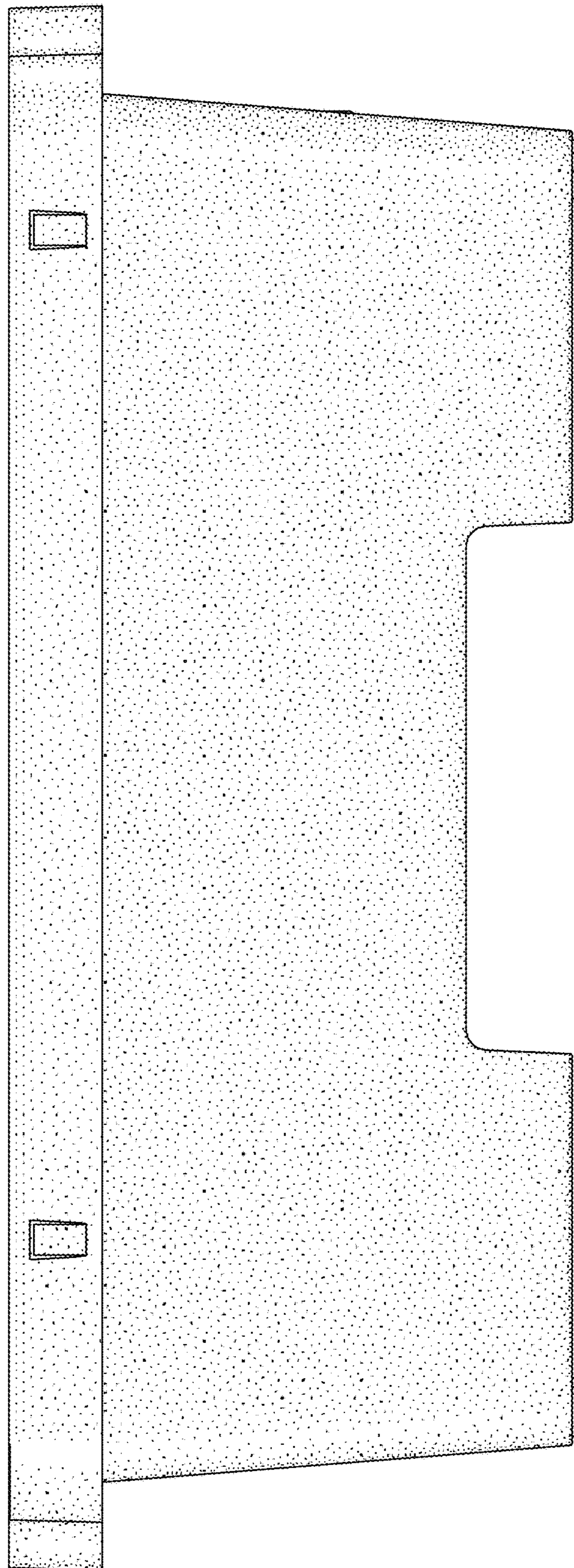


Figure 3

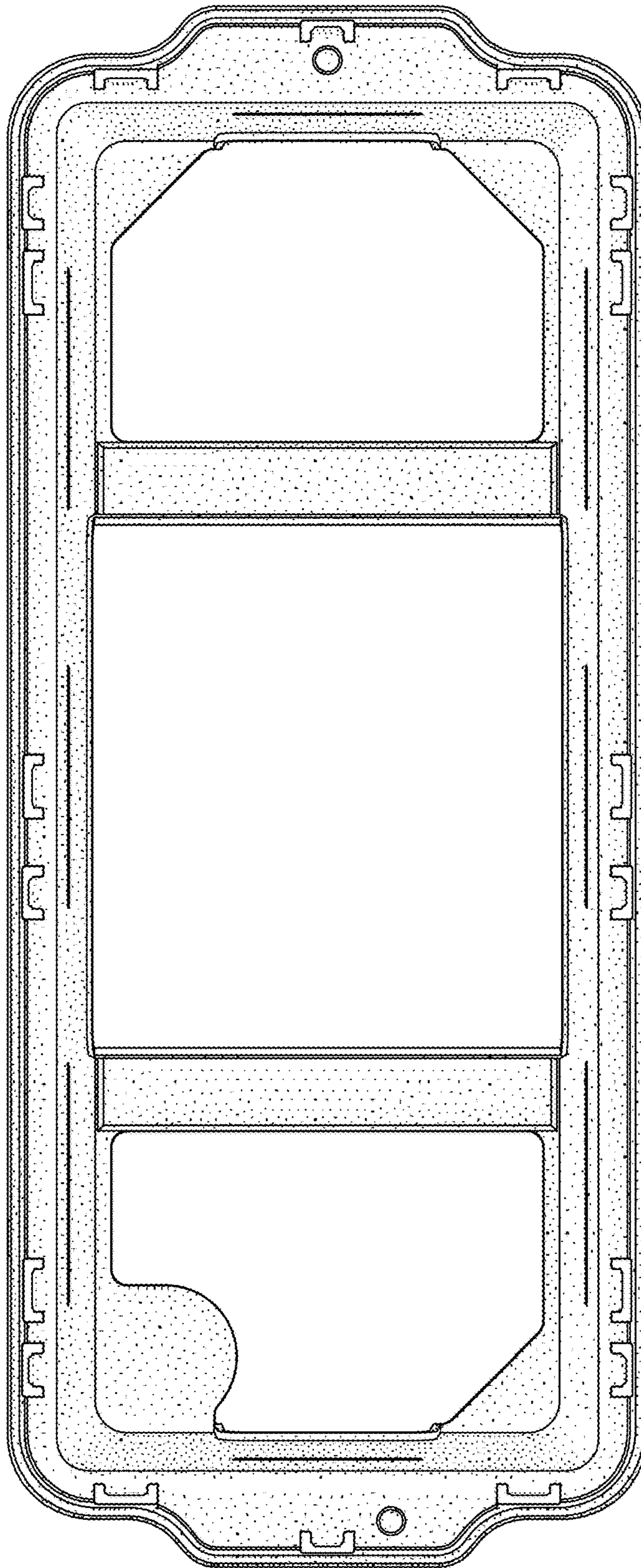


Figure 4

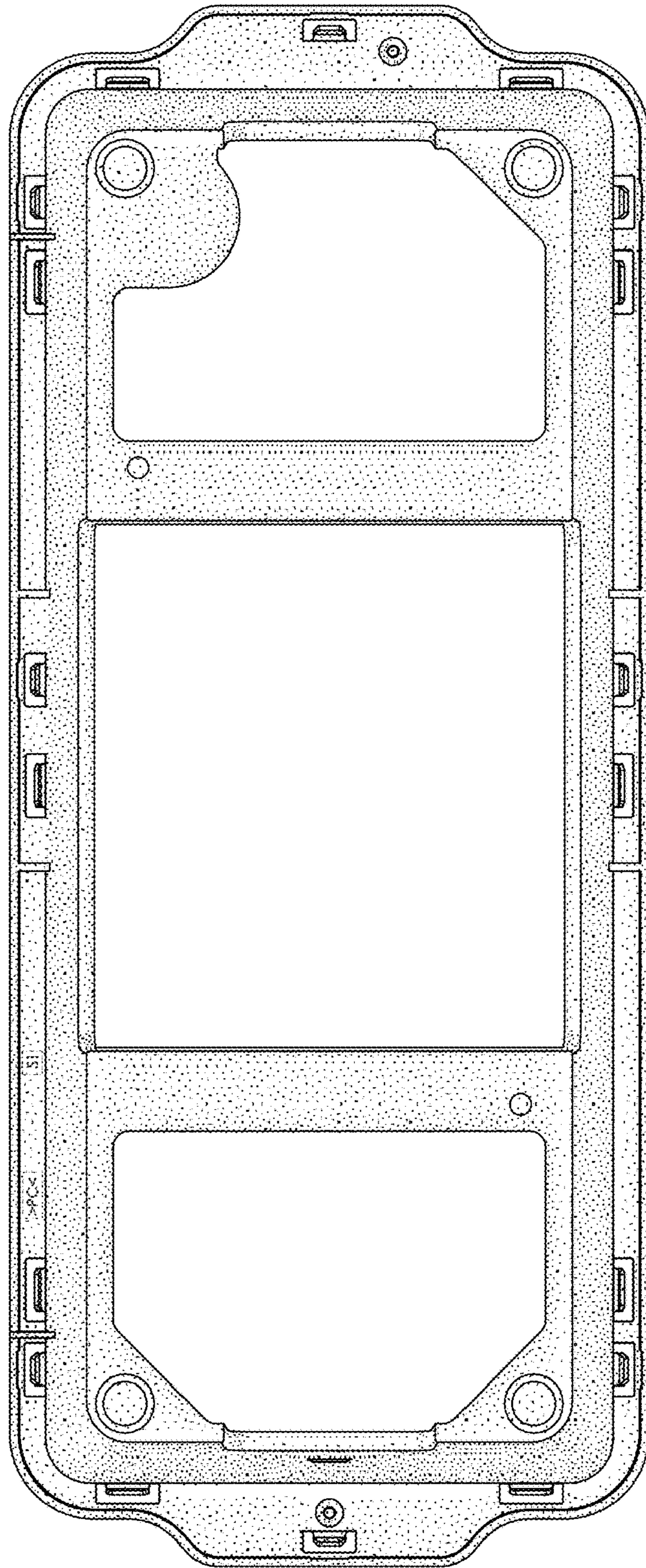


Figure 5

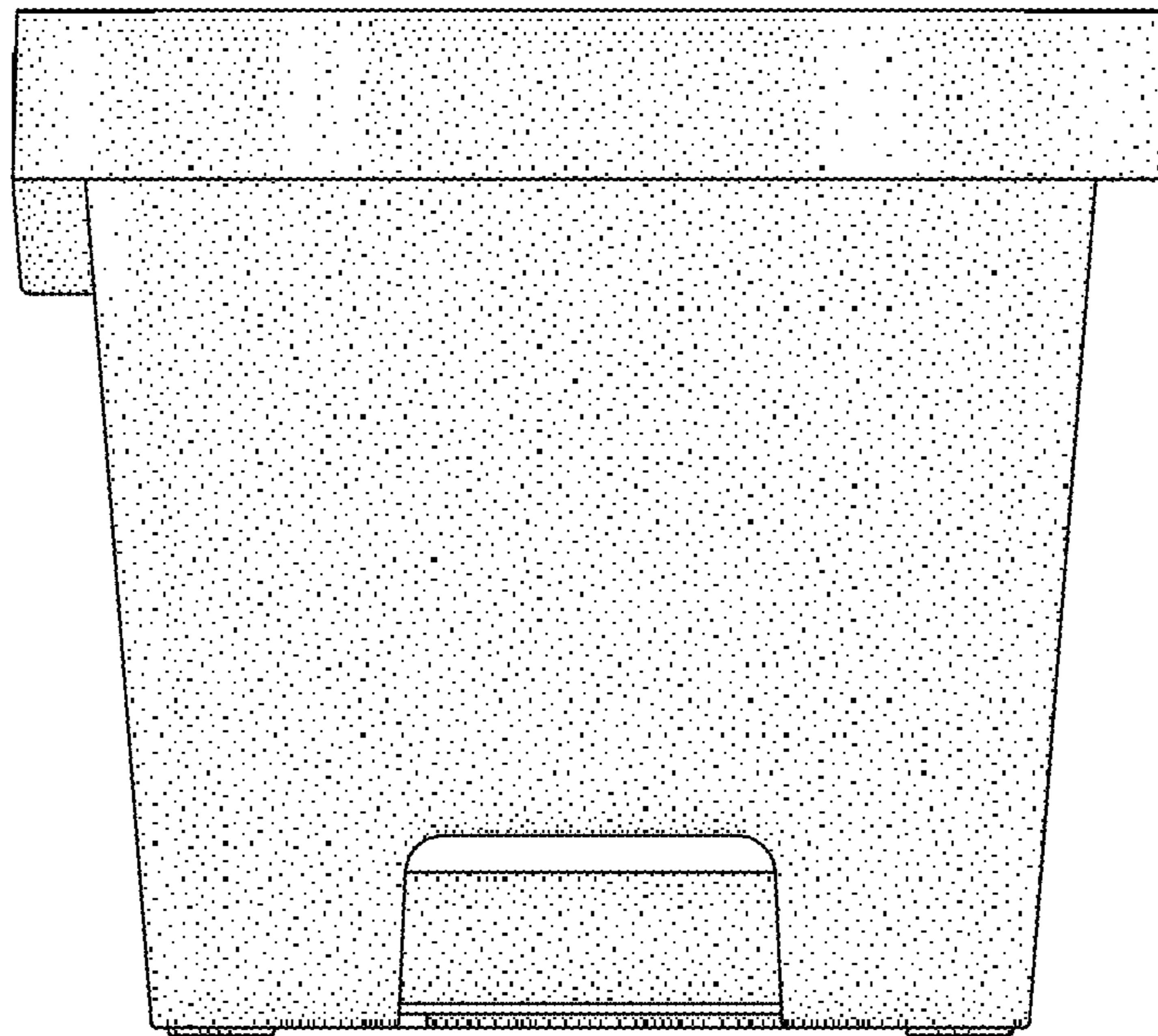


Figure 6



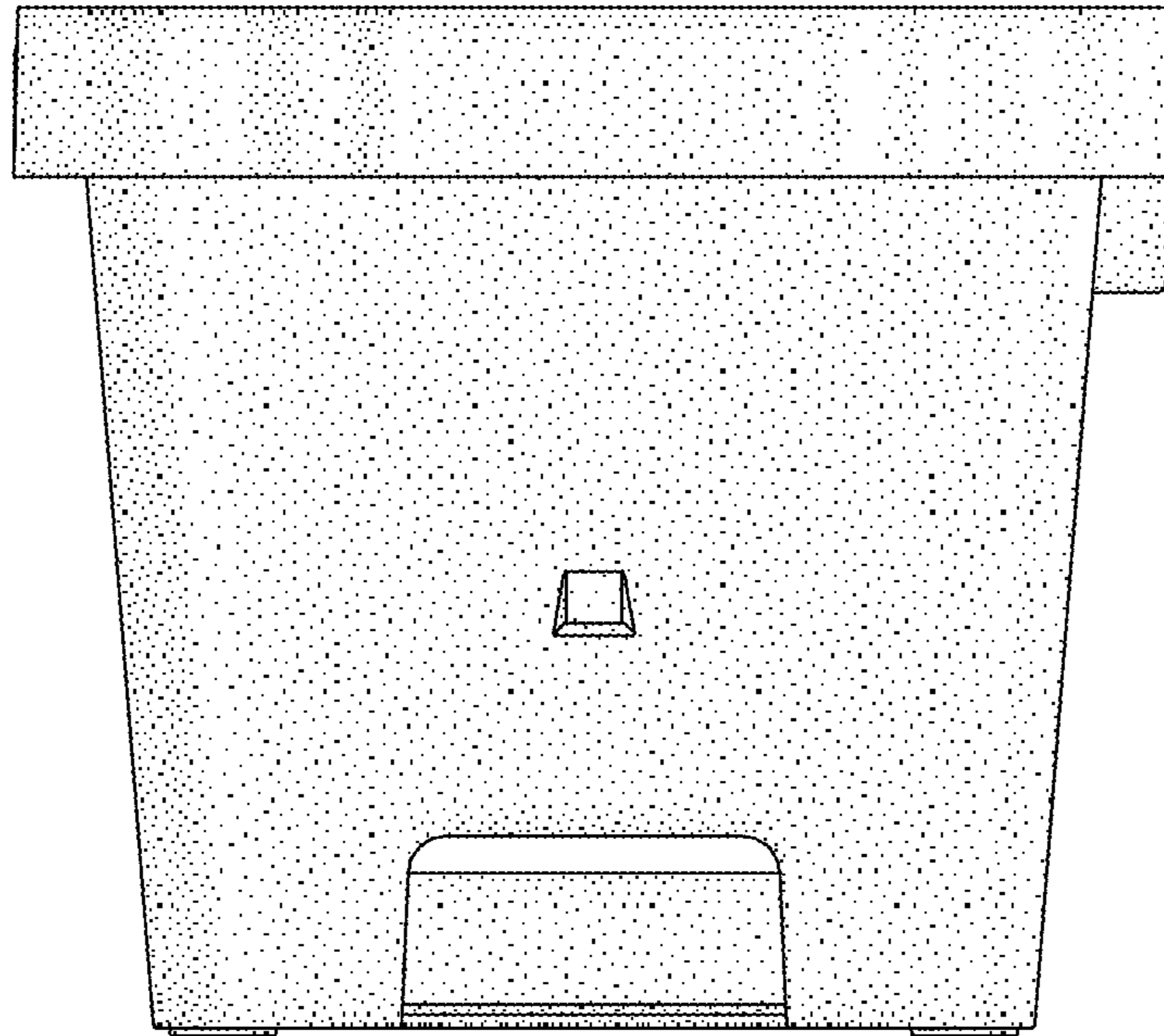


Figure 7

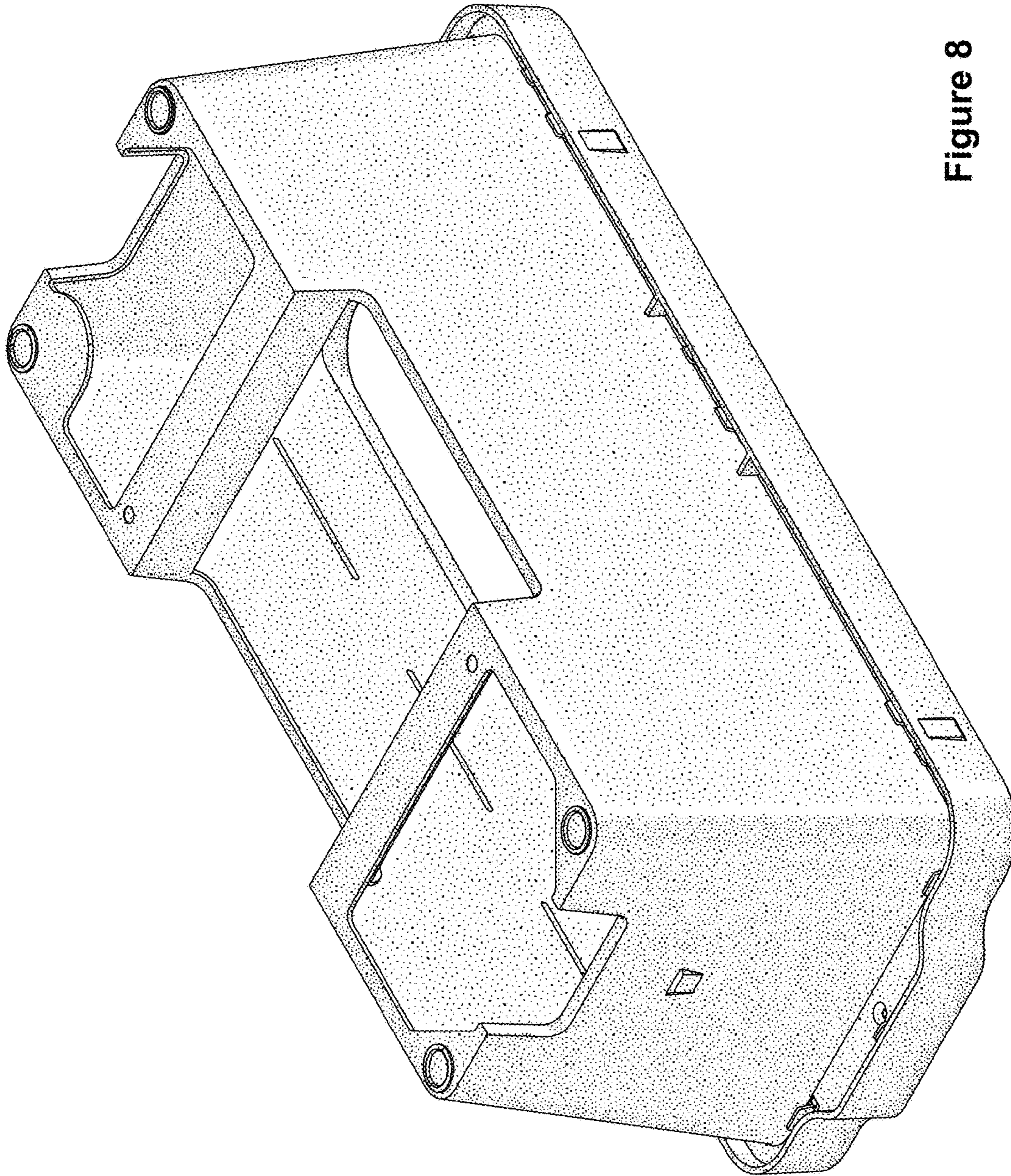


Figure 8

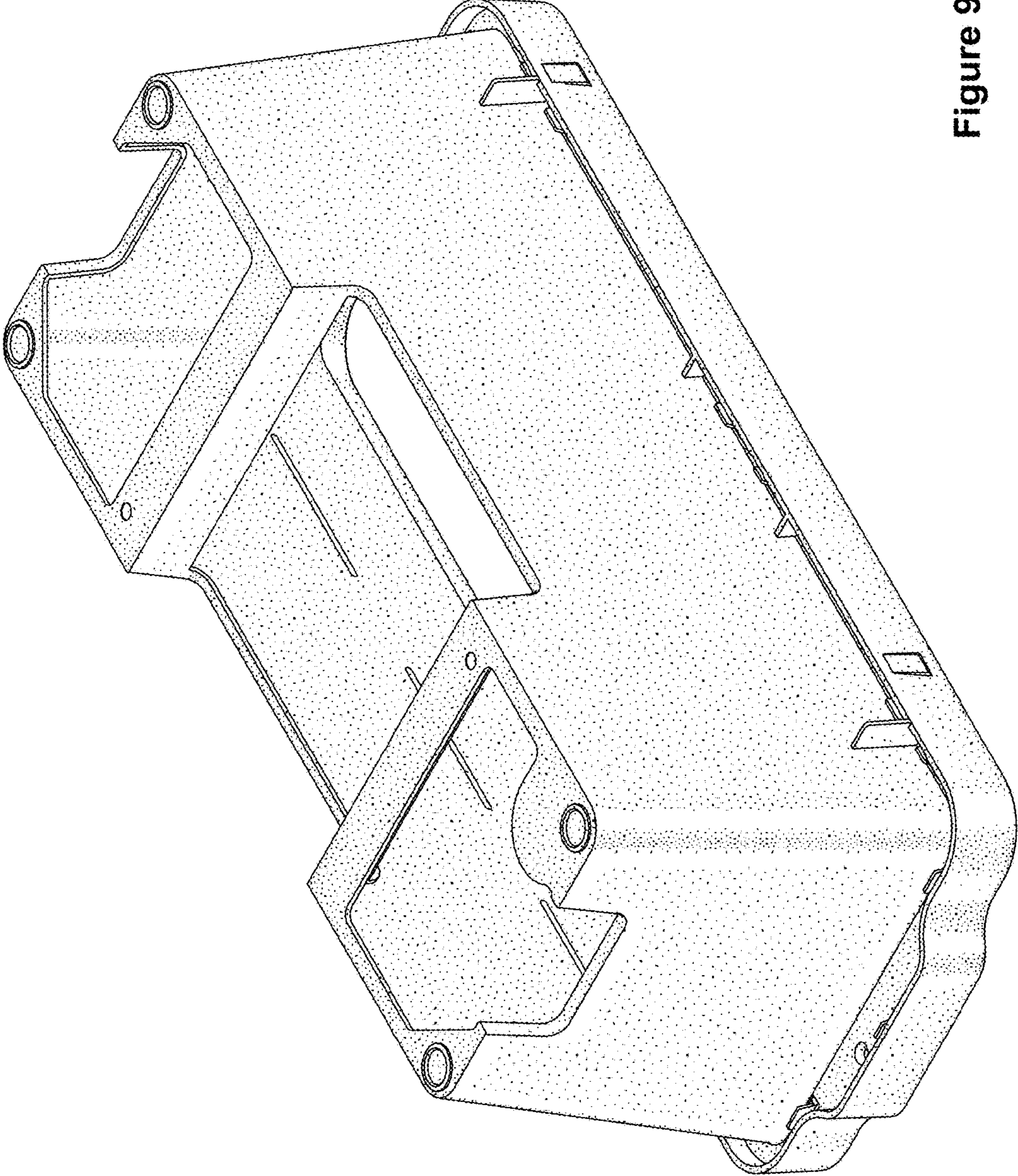


Figure 9