



US00D864411S

(12) **United States Design Patent**
Dangelo et al.

(10) **Patent No.:** **US D864,411 S**
(45) **Date of Patent:** **** Oct. 22, 2019**

(54) **MULTI-HOLE WASH CARTRIDGE**

(71) Applicants: **Illumina, Inc.**, San Diego, CA (US);
Illumina Singapore Pte Ltd, Singapore (SG)

(72) Inventors: **Michael Thomas Dangelo**, San Diego, CA (US); **James Michael Osmus**, San Diego, CA (US); **Bashkaran Subramanian**, Singapore (SG); **Lea Sandra Kobeli**, San Francisco, CA (US); **Edward Wilson Licitra**, San Francisco, CA (US)

(73) Assignees: **Illumina, Singapore Pte. Ltd.**, Singapore (SG); **Illumina, Inc.**, San Diego, CA (US)

(**) Term: **15 Years**

(21) Appl. No.: **29/589,642**

(22) Filed: **Jan. 3, 2017**

(51) **LOC (12) Cl.** **24-02**

(52) **U.S. Cl.**
USPC **D24/224**

(58) **Field of Classification Search**
USPC D24/216, 217, 219, 220, 223, 224, 225, D24/226, 227, 232, 233; D9/424, 425,
(Continued)

(56) **References Cited**

U.S. PATENT DOCUMENTS

4,798,292 A * 1/1989 Hauze A61L 2/26
206/439
D332,664 S * 1/1993 Sincock D24/130
(Continued)

FOREIGN PATENT DOCUMENTS

TW D182357 S 4/2017

OTHER PUBLICATIONS

U.S. Appl. No. 29/589,638, filed Jan. 3, 2017, Dangelo, et al.
(Continued)

Primary Examiner — Vy N Koenig
(74) *Attorney, Agent, or Firm* — Weaver Austin Villeneuve & Sampson LLP

(57) **CLAIM**

We claim the ornamental design for a multi-hole wash cartridge, as shown and described.

DESCRIPTION

FIG. 1 is an isometric view of a multi-hole wash cartridge. FIG. 2 is a right side view of the multi-hole wash cartridge of FIG. 1.

FIG. 3 is a left side view of the multi-hole wash cartridge of FIG. 1.

FIG. 4 is a top view of the multi-hole wash cartridge of FIG. 1.

FIG. 5 is a bottom view of the multi-hole wash cartridge of FIG. 1.

FIG. 6 is a rear view of the multi-hole wash cartridge of FIG. 1.

FIG. 7 is a front view of the multi-hole wash cartridge of FIG. 1.

FIG. 8 is an off-angle view of the underside of the multi-hole wash cartridge of FIG. 1.

FIG. 9 is another off-angle view of the underside of the multi-hole wash cartridge of FIG. 1.

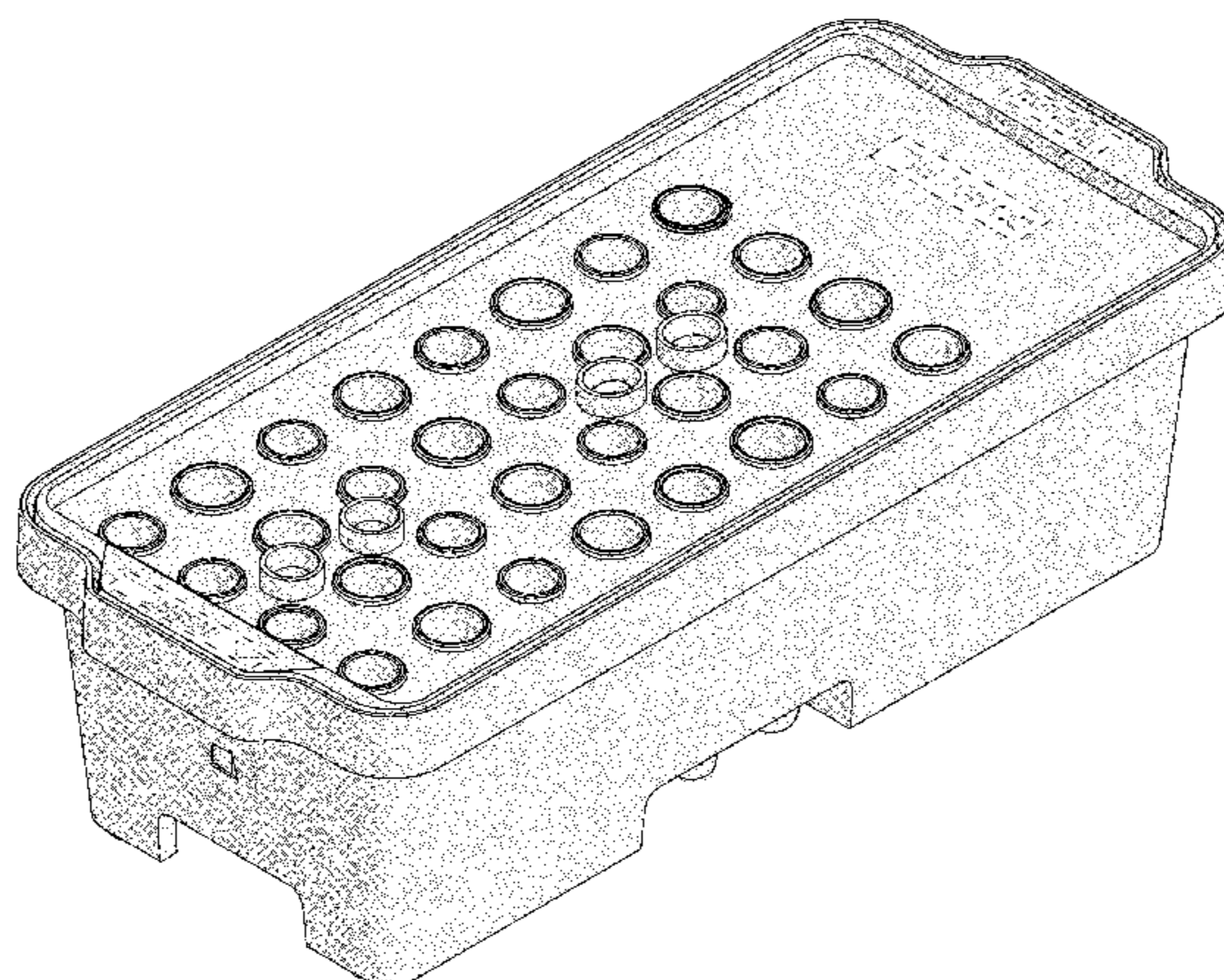
FIG. 10 is yet another off-angle view of the underside of the multi-hole wash cartridge of FIG. 1; and,

FIG. 11 is another off-angle view of the underside of the multi-hole wash cartridge of FIG. 1.

Stipple shading is used in the accompanying FIGS. 1-11 to convey surface contouring and is not indicative of any particular texture or coloring.

Dash-dot-dash boundary lines are used herein to indicate a transition from claimed subject matter to unclaimed environmental structure, as evidenced by the absence of shading within the boundary shape and the presence of shading outside of the boundary shape. See, for example, the dash-dot-dash boundaries around the “illumina” logo, “Insert” text, and “Do Not Fill” text, which form no part of the

(Continued)



claimed design in FIGS. 1 and 4, and the “>PC<” and “S1” text, which form no part of the claimed design in FIG. 5.

1 Claim, 11 Drawing Sheets

(58) Field of Classification Search

USPC D9/432, 732, 735, 749, 755, 758, 760;
 D7/550.1, 553.1–553.5, 554.3, 554.4;
 D18/43, 44; D3/294–295
 CPC A47G 23/06; A61B 50/20; A61B 50/30;
 A61J 1/00; B01L 3/50; B01L 3/52; B01L
 7/00; B01L 7/02; C07K 1/26; C12Q 1/00
 See application file for complete search history.

(56) References Cited

U.S. PATENT DOCUMENTS

| | | | | | |
|-----------|------|---------|------------|-------|-----------------------|
| D339,869 | S * | 9/1993 | Schea, III | | D24/224 |
| D438,632 | S * | 3/2001 | Miller | | D24/216 |
| D451,278 | S * | 12/2001 | Cooper | | D3/294 |
| D510,802 | S * | 10/2005 | Sagol | | D3/273 |
| 7,036,667 | B2 * | 5/2006 | Greenstein | | B01L 9/527 206/205 |
| D565,742 | S * | 4/2008 | Parunak | | D24/224 |
| D566,291 | S * | 4/2008 | Parunak | | D24/224 |

| | | | | | |
|--------------|------|---------|-----------|-------|-----------------------|
| D578,758 | S * | 10/2008 | Stevens | | D3/272 |
| D604,604 | S * | 11/2009 | Strange | | D9/424 |
| D624,194 | S * | 9/2010 | Pack | | D24/224 |
| D632,803 | S * | 2/2011 | Motadel | | D24/229 |
| D657,473 | S * | 4/2012 | Miyashita | | D24/224 |
| D674,112 | S * | 1/2013 | Demas | | D24/226 |
| D691,733 | S * | 10/2013 | Demas | | D24/226 |
| D699,370 | S * | 2/2014 | Motadel | | D24/229 |
| D717,470 | S * | 11/2014 | Demas | | D24/226 |
| D724,236 | S * | 3/2015 | Motadel | | D24/227 |
| D732,186 | S * | 6/2015 | Burroughs | | D24/226 |
| 9,198,811 | B2 * | 12/2015 | Pizzato | | A61F 17/00 |
| 9,610,126 | B2 * | 4/2017 | Griffin | | A61B 50/30 |
| D825,774 | S * | 8/2018 | Self | | D24/224 |
| D827,149 | S * | 8/2018 | Self | | D24/224 |
| 10,071,381 | B2 * | 9/2018 | Welch | | A61B 5/15 |
| 2010/0221151 | A1 * | 9/2010 | Motadel | | B01L 9/543 422/526 |
| 2011/0236278 | A1 * | 9/2011 | Motadel | | B01L 9/543 422/560 |
| 2014/0234182 | A1 * | 8/2014 | Motadel | | B01L 9/543 422/526 |

OTHER PUBLICATIONS

U.S. Appl. No. 29/589,640, filed Jan. 3, 2017, Dangelo, et al.
 U.S. Appl. No. 29/589,641, filed Jan. 3, 2017, Dangelo, et al.
 U.S. Appl. No. 29/589,643, filed Jan. 3, 2017, Dangelo, et al.

* cited by examiner

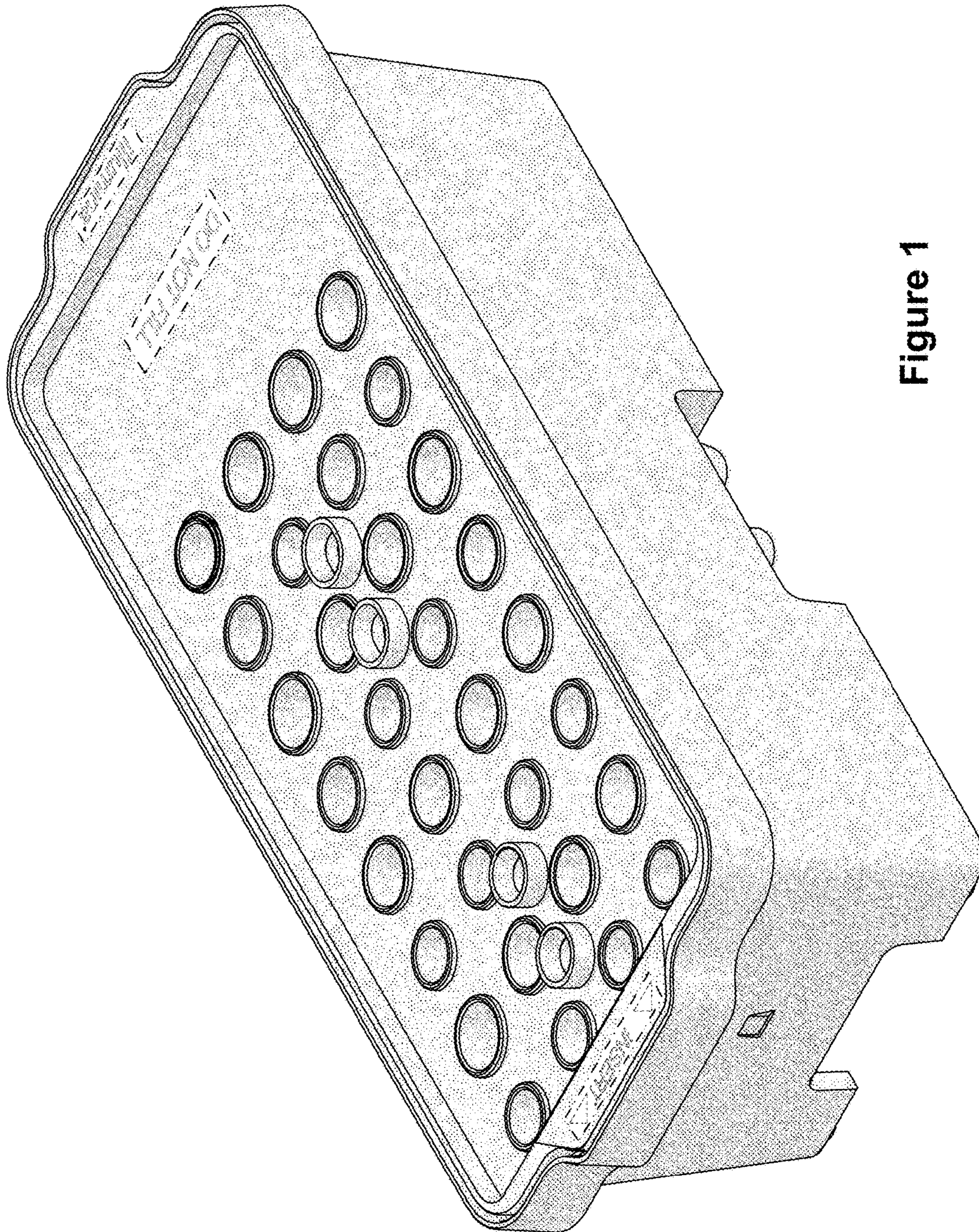


Figure 1

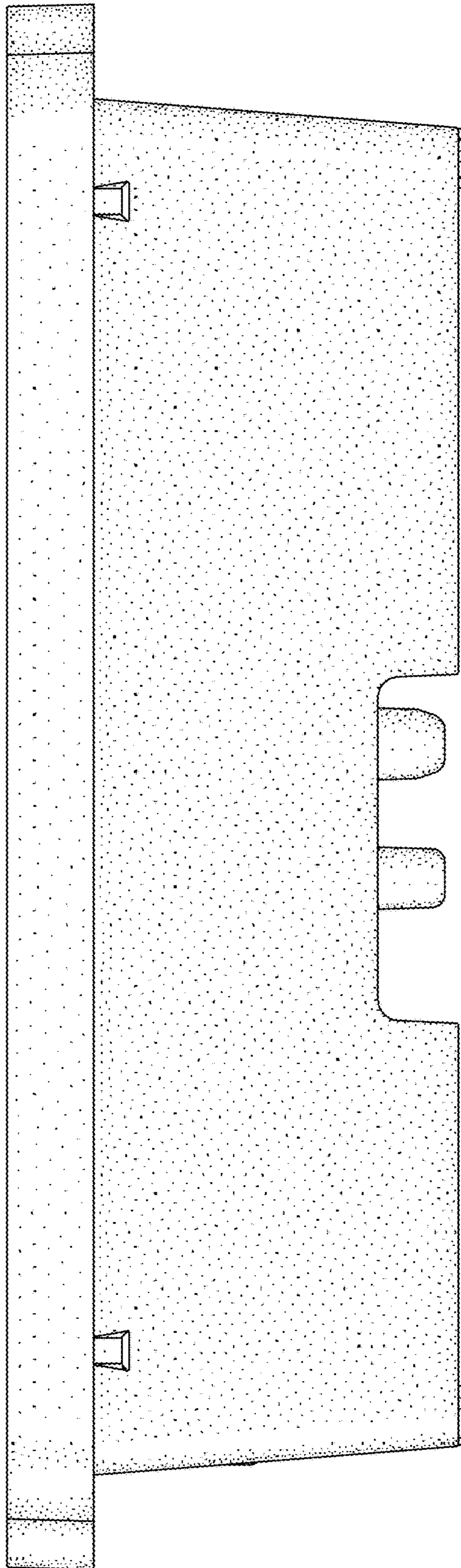


Figure 2

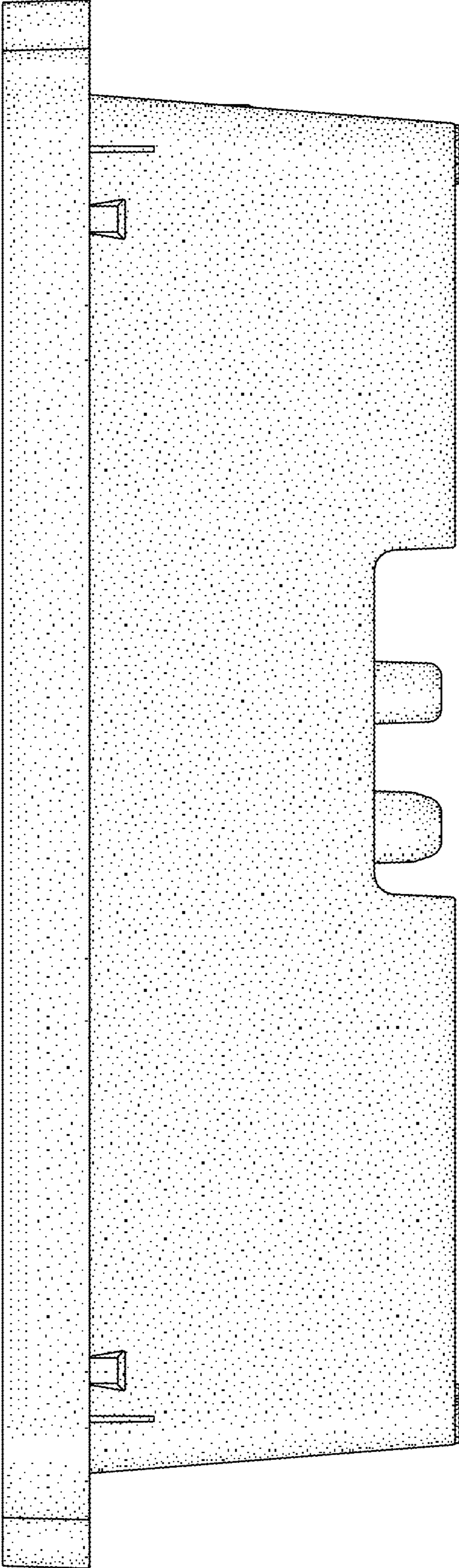


Figure 3

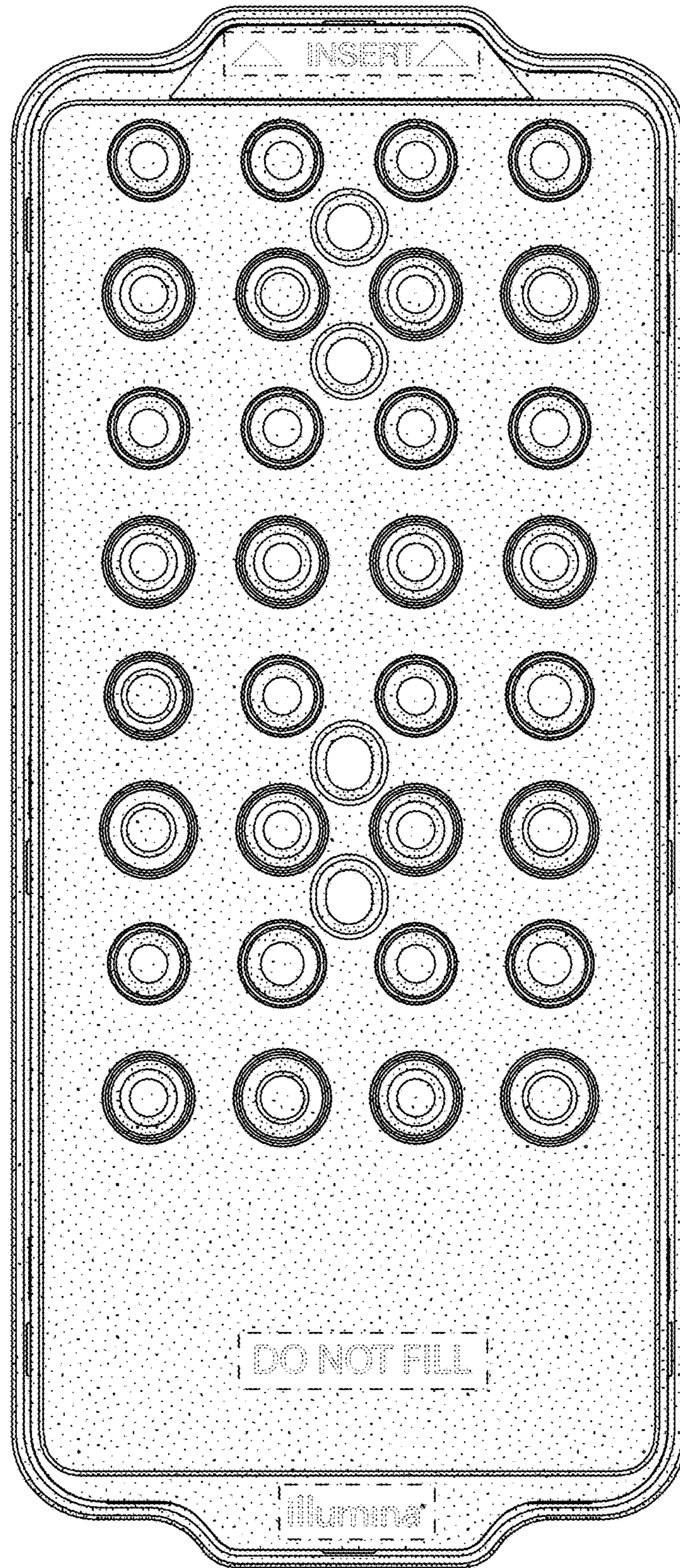


Figure 4

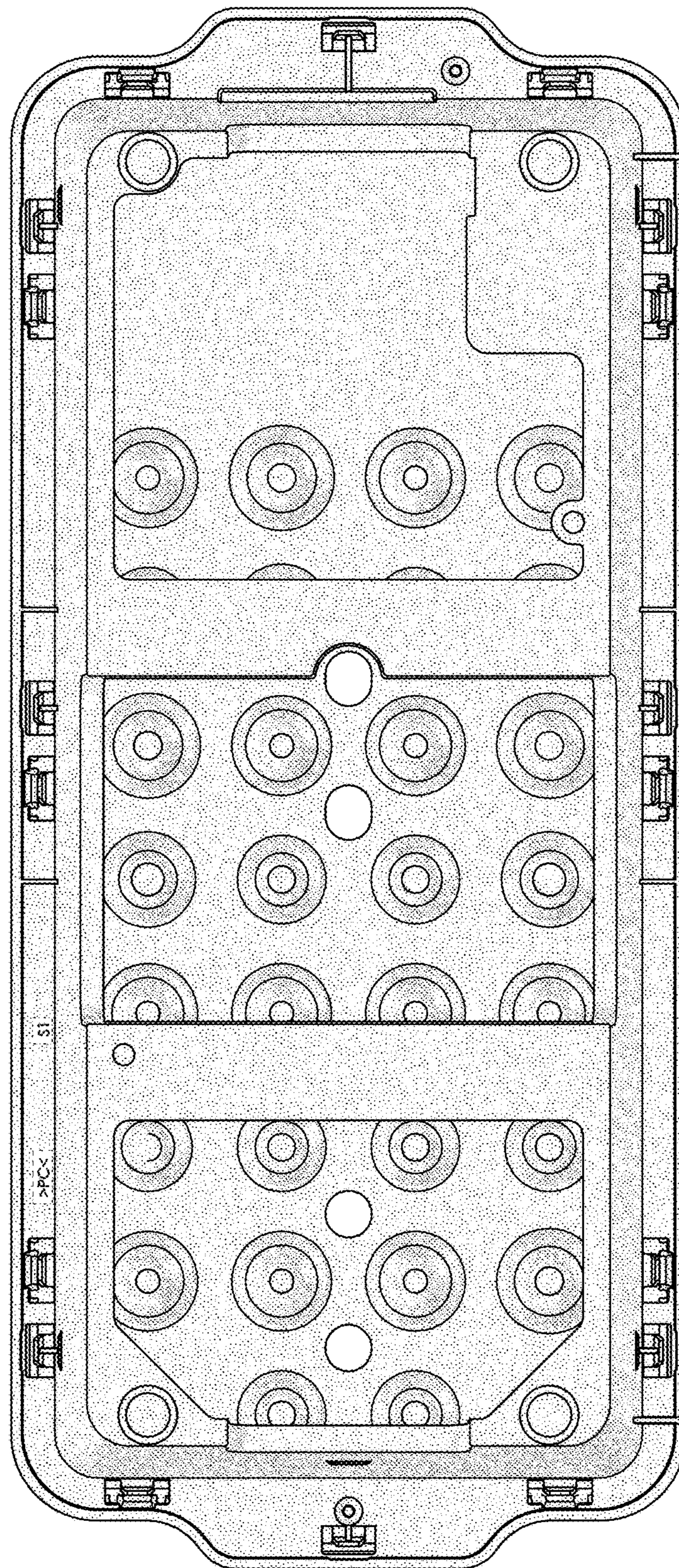


Figure 5

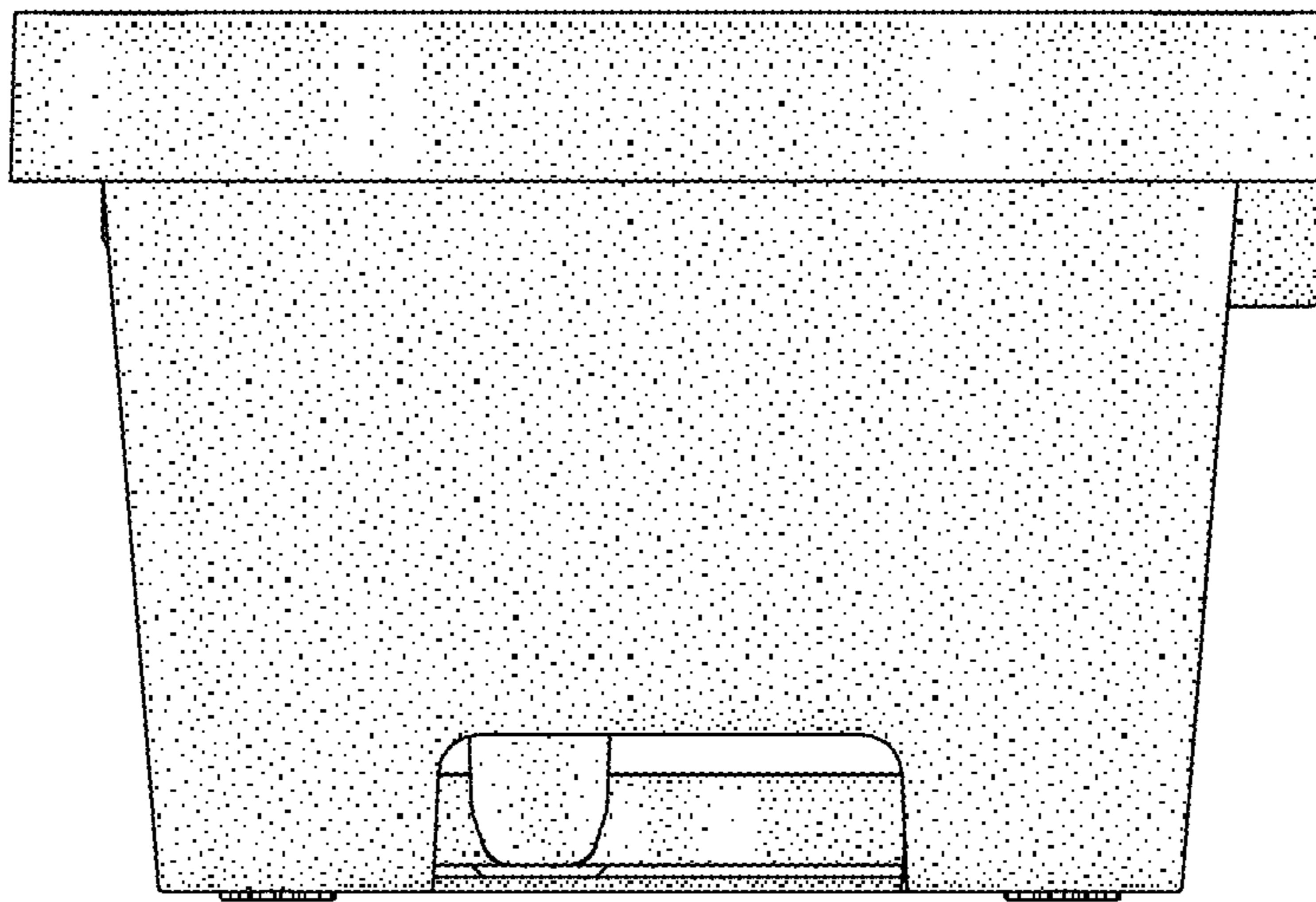


Figure 6

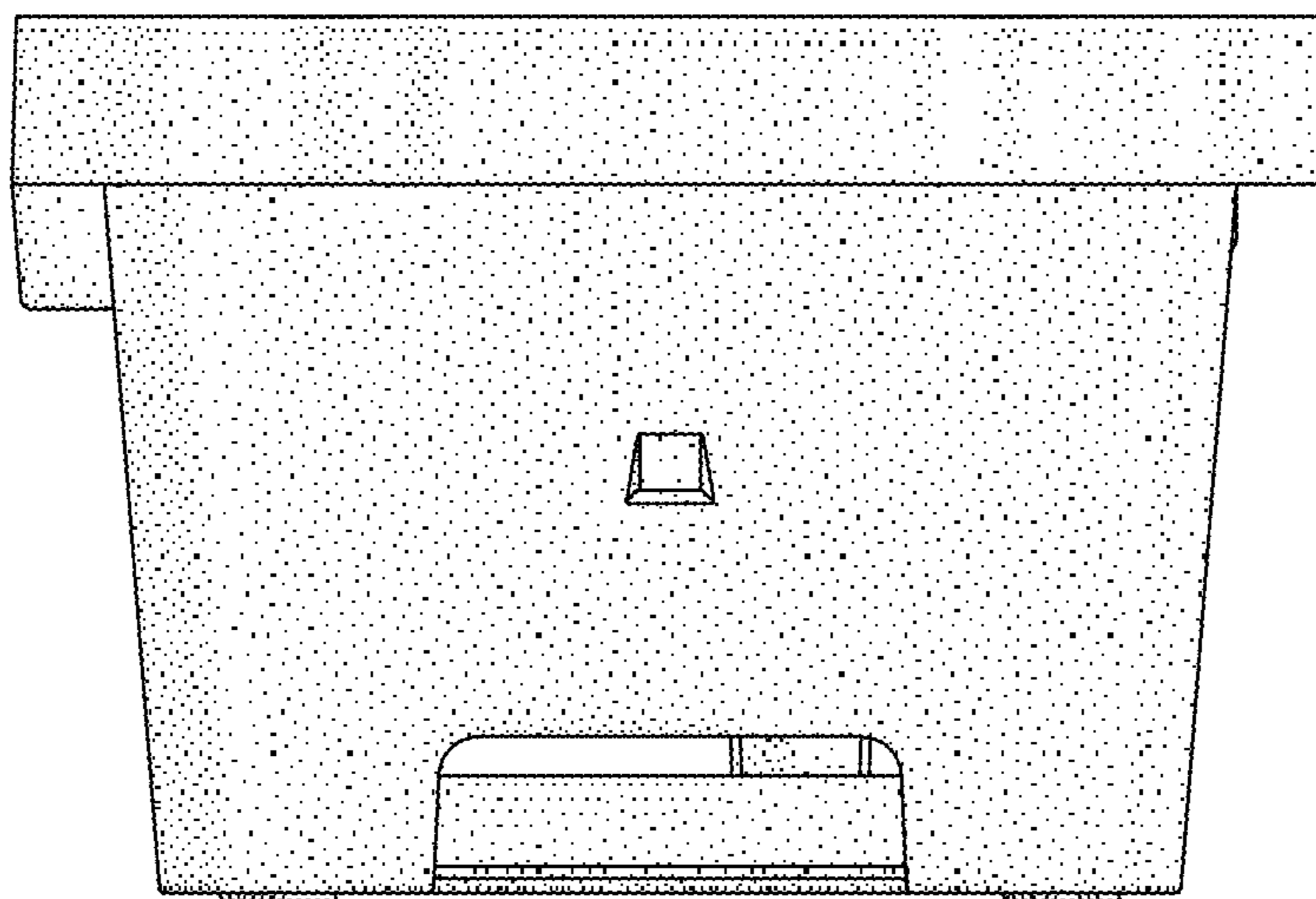


Figure 7

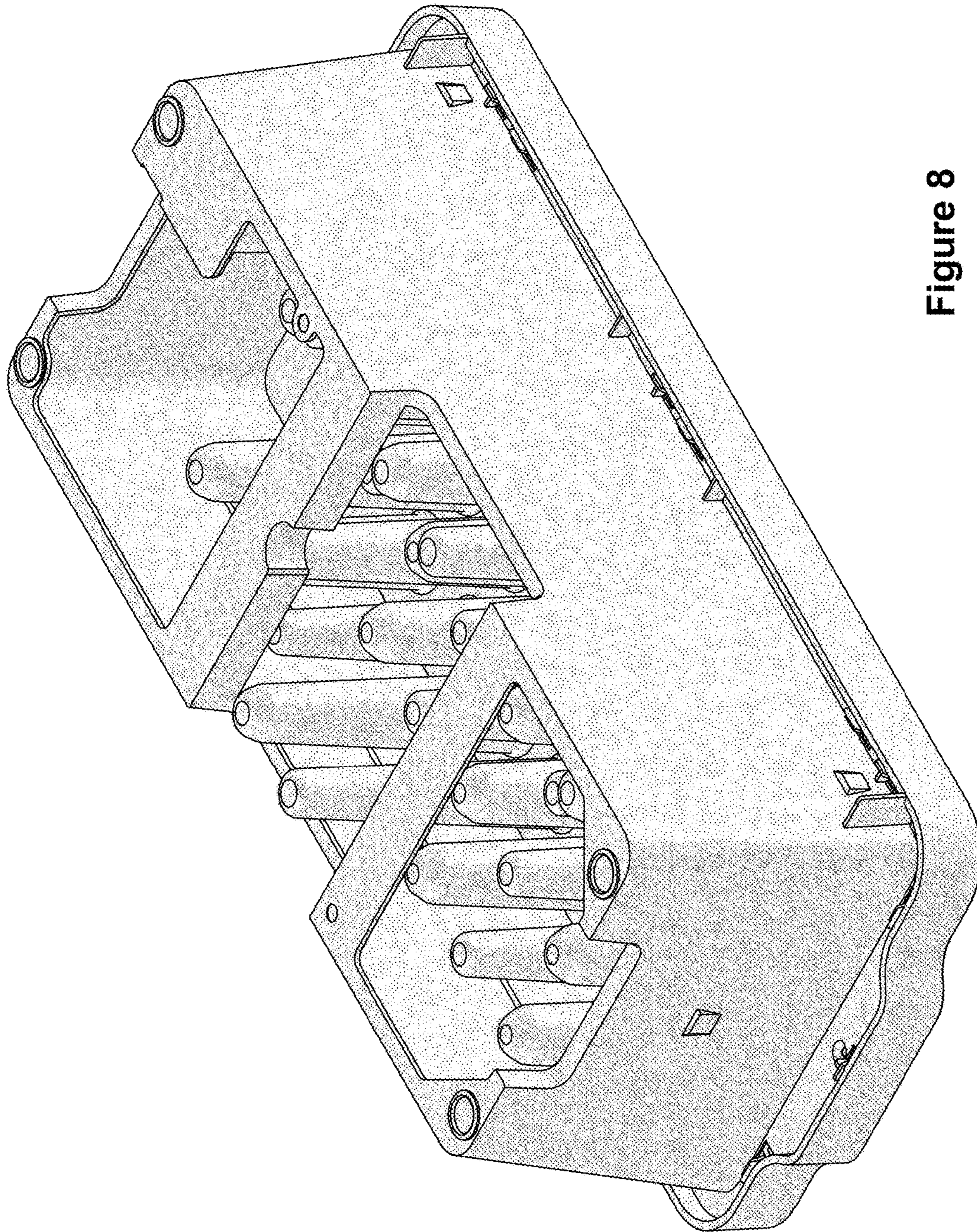


Figure 8

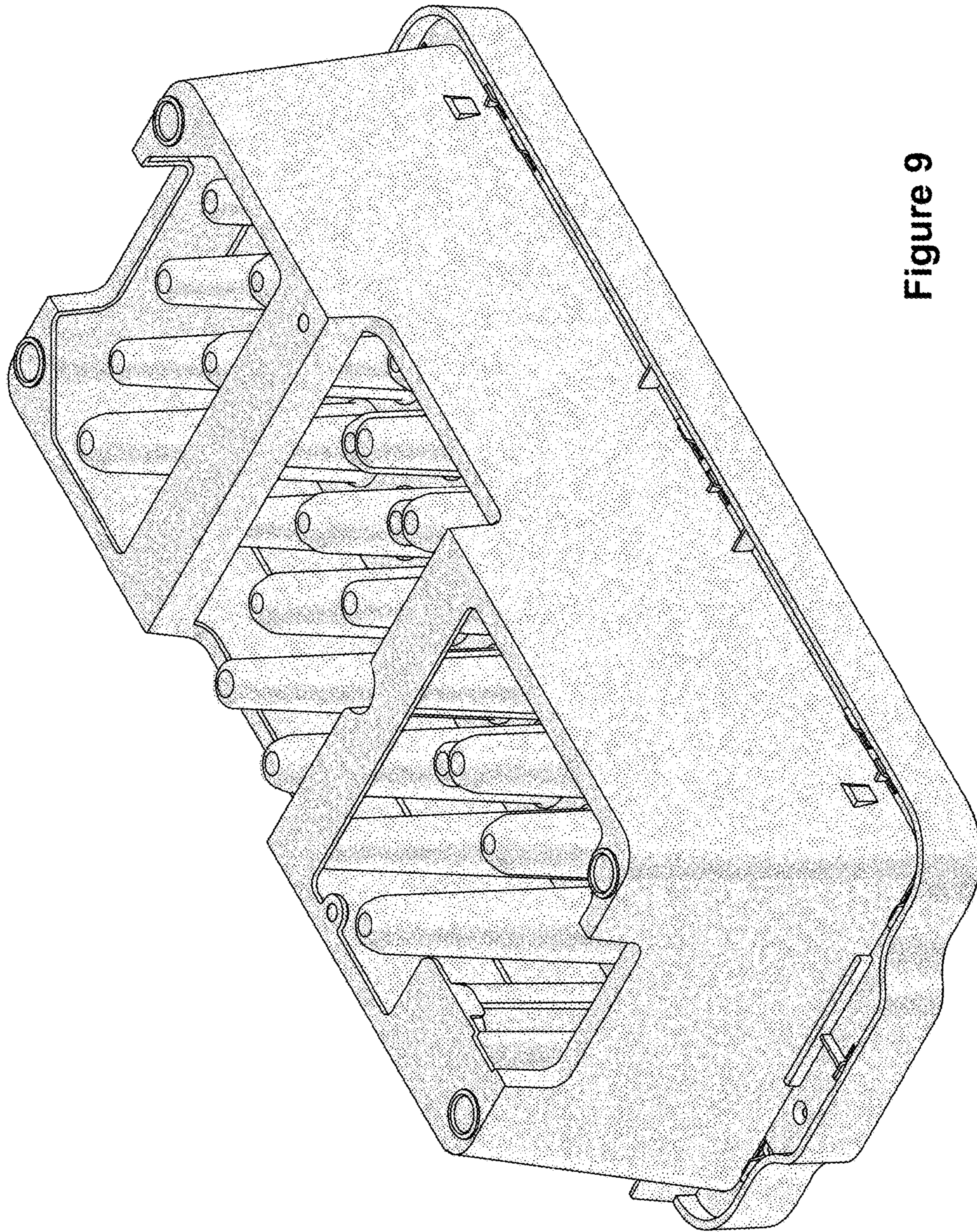


Figure 9

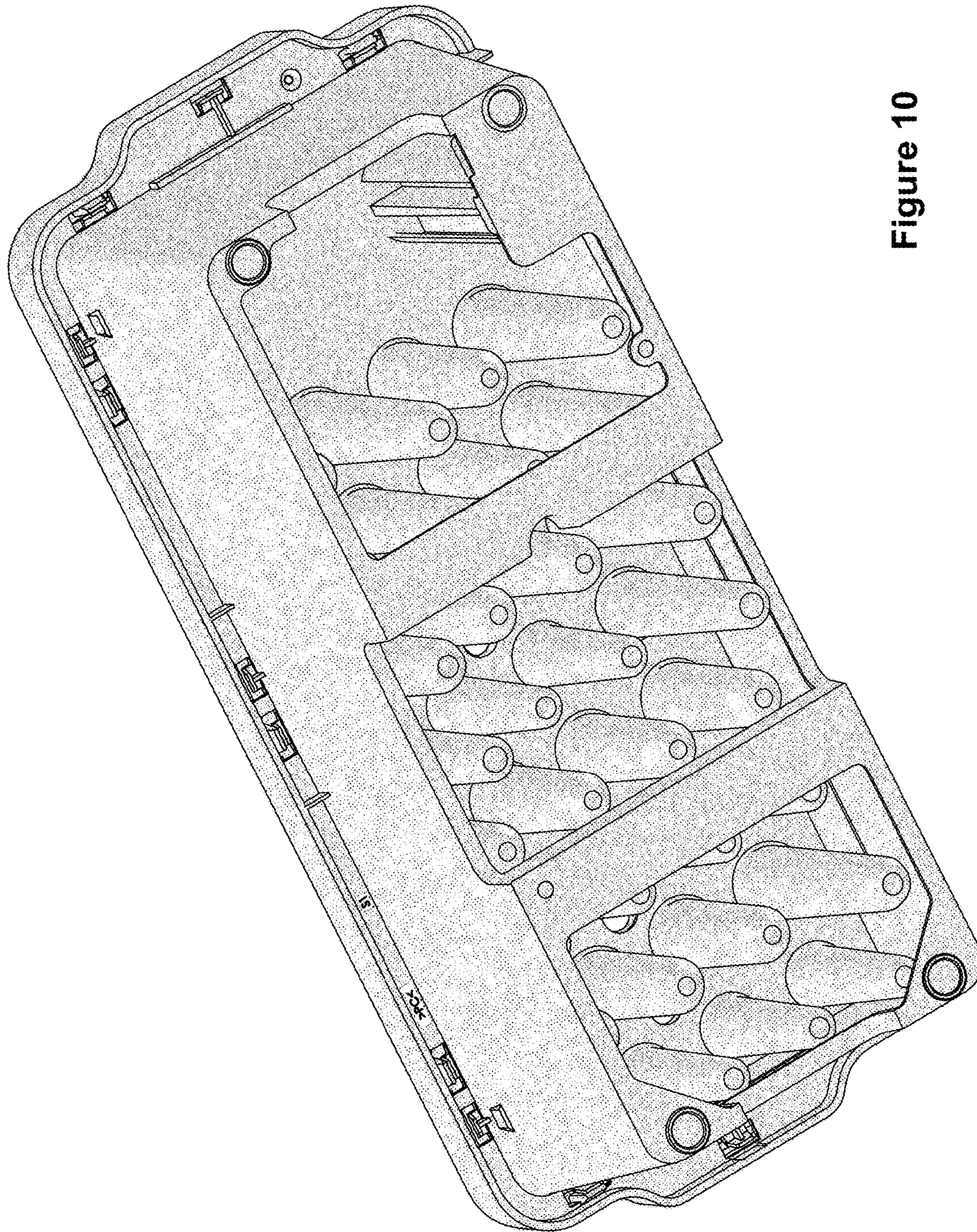


Figure 10

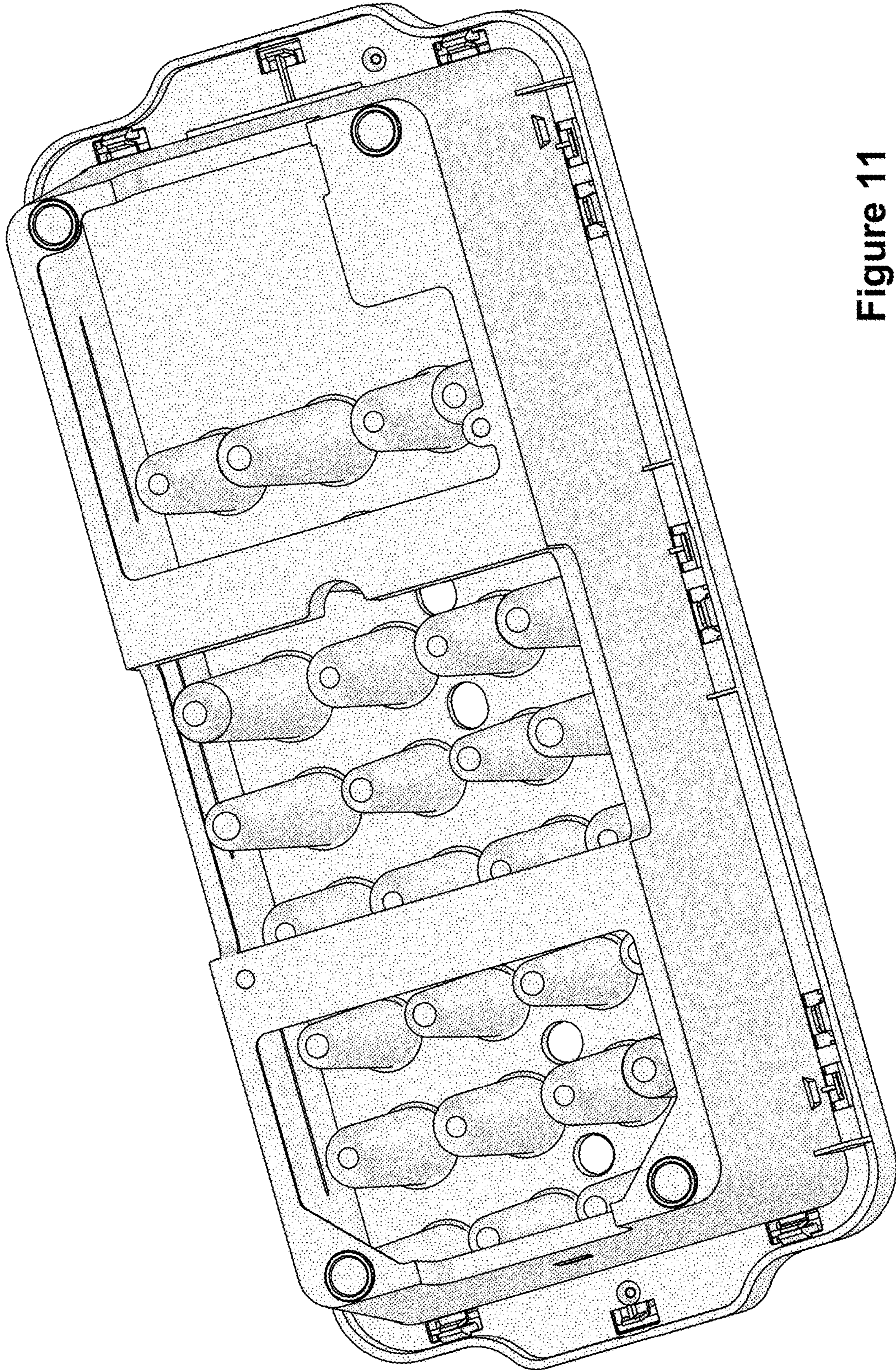


Figure 11

UNITED STATES PATENT AND TRADEMARK OFFICE
CERTIFICATE OF CORRECTION

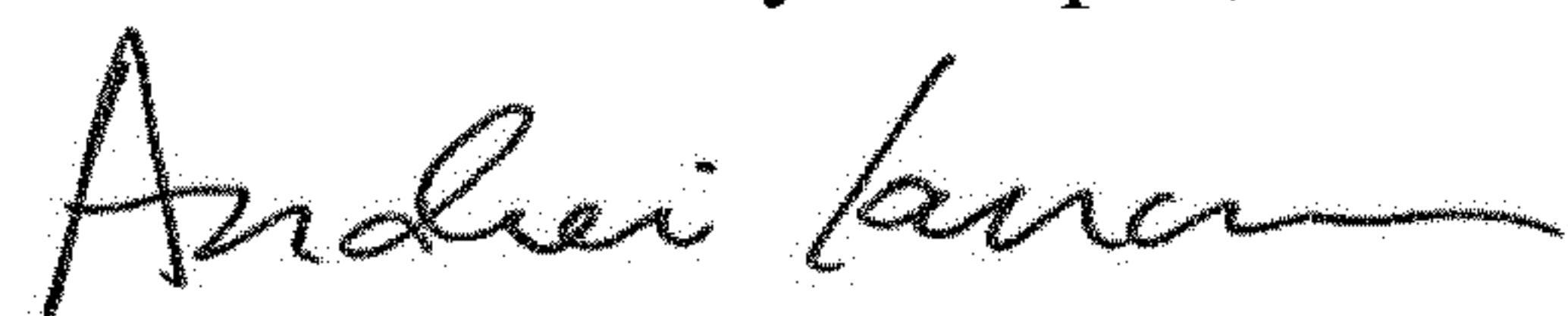
PATENT NO. : D864,411 S
APPLICATION NO. : 29/589642
DATED : October 22, 2019
INVENTOR(S) : Dangelo et al.

Page 1 of 14

It is certified that error appears in the above-identified patent and that said Letters Patent is hereby corrected as shown below:

Please replace Patent No. D864,411 S in its entirety with Patent No. D864,411 S in its entirety as shown on the attached pages.

Signed and Sealed this
Fourteenth Day of April, 2020



Andrei Iancu
Director of the United States Patent and Trademark Office

(12) **United States Design Patent** (10) **Patent No.:** **US D864,411 S**
Dangelo et al. (45) **Date of Patent:** **** Oct. 22, 2019**

(54) **MULTI-HOLE WASH CARTRIDGE**

(71) Applicants: **Illumina, Inc.**, San Diego, CA (US);
Illumina Singapore Pte Ltd, Singapore (SG)

(72) Inventors: **Michael Thomas Dangelo**, San Diego, CA (US); **James Michael Osmus**, San Diego, CA (US); **Bashkaran Subramanian**, Singapore (SG); **Lea Sandra Kobeli**, San Francisco, CA (US); **Edward Wilson Licitra**, San Francisco, CA (US)

(73) Assignees: **Illumina, Singapore Pte. Ltd.** (SG);
Illumina, Inc., San Diego, CA (US)

(**) Term: **15 Years**

(21) Appl. No.: **29/589,642**

(22) Filed: **Jan. 3, 2017**

(51) **LOC (12) Cl.** **24-02**

(52) **U.S. Cl.** **D24/224**
 USPC

(58) **Field of Classification Search**
 USPC D24/216, 217, 219, 220, 223, 224, 225,
 D24/226, 227, 232, 233; D9/424, 425,
 (Continued)

(56) **References Cited**

U.S. PATENT DOCUMENTS

4,798,292 A * 1/1989 Hauze A61L 2/26
 206/439
 D332,664 S * 1/1993 Sincock D24/130
 (Continued)

FOREIGN PATENT DOCUMENTS

TW D182357 S 4/2017

OTHER PUBLICATIONS

U.S. Appl. No. 29/589,638, filed Jan. 3, 2017, Dangelo, et al.
 (Continued)

Primary Examiner — Vy N Koenig
 (74) *Attorney, Agent, or Firm* — Weaver Austin
 Villeneuve & Sampson LLP

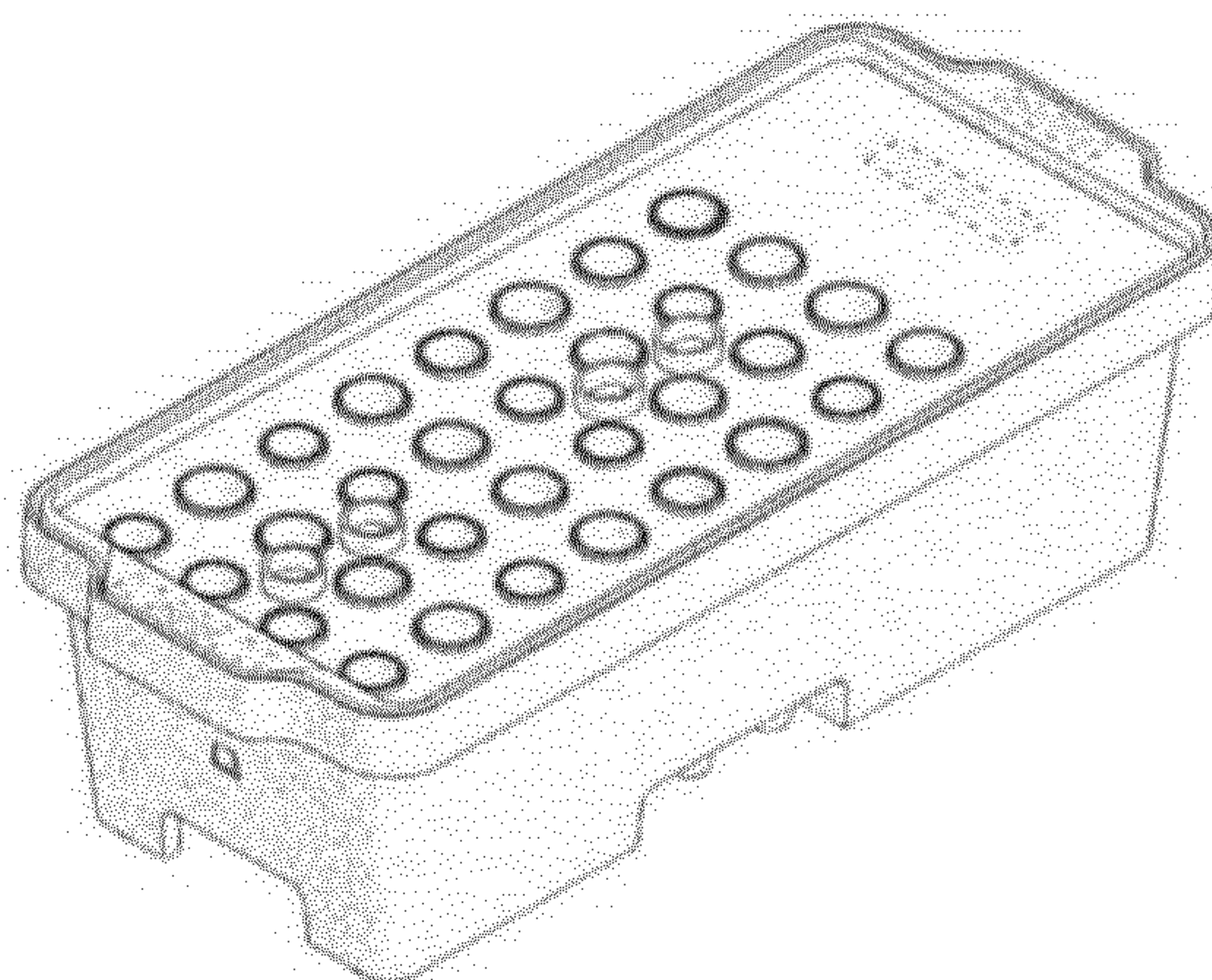
(57) **CLAIM**

We claim the ornamental design for a multi-hole wash cartridge, as shown and described.

DESCRIPTION

FIG. 1 is an isometric view of a multi-hole wash cartridge. FIG. 2 is a right side view of the multi-hole wash cartridge of FIG. 1. FIG. 3 is a left side view of the multi-hole wash cartridge of FIG. 1. FIG. 4 is a top view of the multi-hole wash cartridge of FIG. 1. FIG. 5 is a bottom view of the multi-hole wash cartridge of FIG. 1. FIG. 6 is a rear view of the multi-hole wash cartridge of FIG. 1. FIG. 7 is a front view of the multi-hole wash cartridge of FIG. 1. FIG. 8 is an off-angle view of the underside of the multi-hole wash cartridge of FIG. 1. FIG. 9 is another off-angle view of the underside of the multi-hole wash cartridge of FIG. 1. FIG. 10 is yet another off-angle view of the underside of the multi-hole wash cartridge of FIG. 1; and, FIG. 11 is another off-angle view of the underside of the multi-hole wash cartridge of FIG. 1. Stipple shading is used in the accompanying FIGS. 1-11 to convey surface contouring and is not indicative of any particular texture or coloring. Dash-dot-dash boundary lines are used herein to indicate a transition from claimed subject matter to unclaimed environmental structure, as evidenced by the absence of shading within the boundary shape and the presence of shading outside of the boundary shape. See, for example, the dash-dot-dash boundaries around the "illumina" logo, "Insert" text, and "Do Not Fill" text, which form no part of the

(Continued)



US D864,411 S

Page 2

claimed design in FIGS. 1 and 4, and the ">PC<" and "SI" text, which form no part of the claimed design in FIG. 5.

1 Claim, 11 Drawing Sheets

(58) **Field of Classification Search**

USPC D9/432, 732, 735, 749, 755, 758, 760;
D7/550.1, 553.1-553.5, 554.3, 554.4;
D18/43, 44; D3/294-295

CPC A47G 23/06; A61B 50/20; A61B 50/30;
A61J 1/00; B01L 3/50; B01L 3/52; B01L
7/00; B01L 7/02; C07K 1/26; C12Q 1/00

See application file for complete search history.

(56)

References Cited

U.S. PATENT DOCUMENTS

| | | | |
|----------------|---------|------------|-----------------------|
| D339,869 S * | 9/1993 | Schea, III | D24/224 |
| D438,632 S * | 3/2001 | Miller | D24/216 |
| D451,278 S * | 12/2001 | Cooper | D3/294 |
| D510,802 S * | 10/2005 | Sagol | D3/273 |
| 7,036,667 B2 * | 5/2006 | Greenstein | B01L 9/527 206/205 |
| D565,742 S * | 4/2008 | Parunak | D24/224 |
| D566,291 S * | 4/2008 | Parunak | D24/224 |

| | | | |
|-------------------|---------|-----------|-----------------------|
| D578,758 S * | 10/2008 | Stevens | D3/272 |
| D604,604 S * | 11/2009 | Strange | D9/424 |
| D624,194 S * | 9/2010 | Pack | D24/224 |
| D632,803 S * | 2/2011 | Motadel | D24/229 |
| D657,473 S * | 4/2012 | Miyashita | D24/224 |
| D674,112 S * | 1/2013 | Demas | D24/226 |
| D691,733 S * | 10/2013 | Demas | D24/226 |
| D699,370 S * | 2/2014 | Motadel | D24/229 |
| D717,470 S * | 11/2014 | Demas | D24/226 |
| D724,236 S * | 3/2015 | Motadel | D24/227 |
| D732,186 S * | 6/2015 | Burroughs | D24/226 |
| 9,198,811 B2 * | 12/2015 | Pizzato | A61F 17/00 |
| 9,610,126 B2 * | 4/2017 | Griffin | A61B 50/30 |
| D825,774 S * | 8/2018 | Self | D24/224 |
| D827,149 S * | 8/2018 | Self | D24/224 |
| 10,071,381 B2 * | 9/2018 | Welch | A61B 5/15 |
| 2010/0221151 A1 * | 9/2010 | Motadel | B01L 9/543 422/526 |
| 2011/0236278 A1 * | 9/2011 | Motadel | B01L 9/543 422/560 |
| 2014/0234182 A1 * | 8/2014 | Motadel | B01L 9/543 422/526 |

OTHER PUBLICATIONS

U.S. Appl. No. 29/589,640, filed Jan. 3, 2017, Dangelo, et al.
U.S. Appl. No. 29/589,641, filed Jan. 3, 2017, Dangelo, et al.
U.S. Appl. No. 29/589,643, filed Jan. 3, 2017, Dangelo, et al.

* cited by examiner

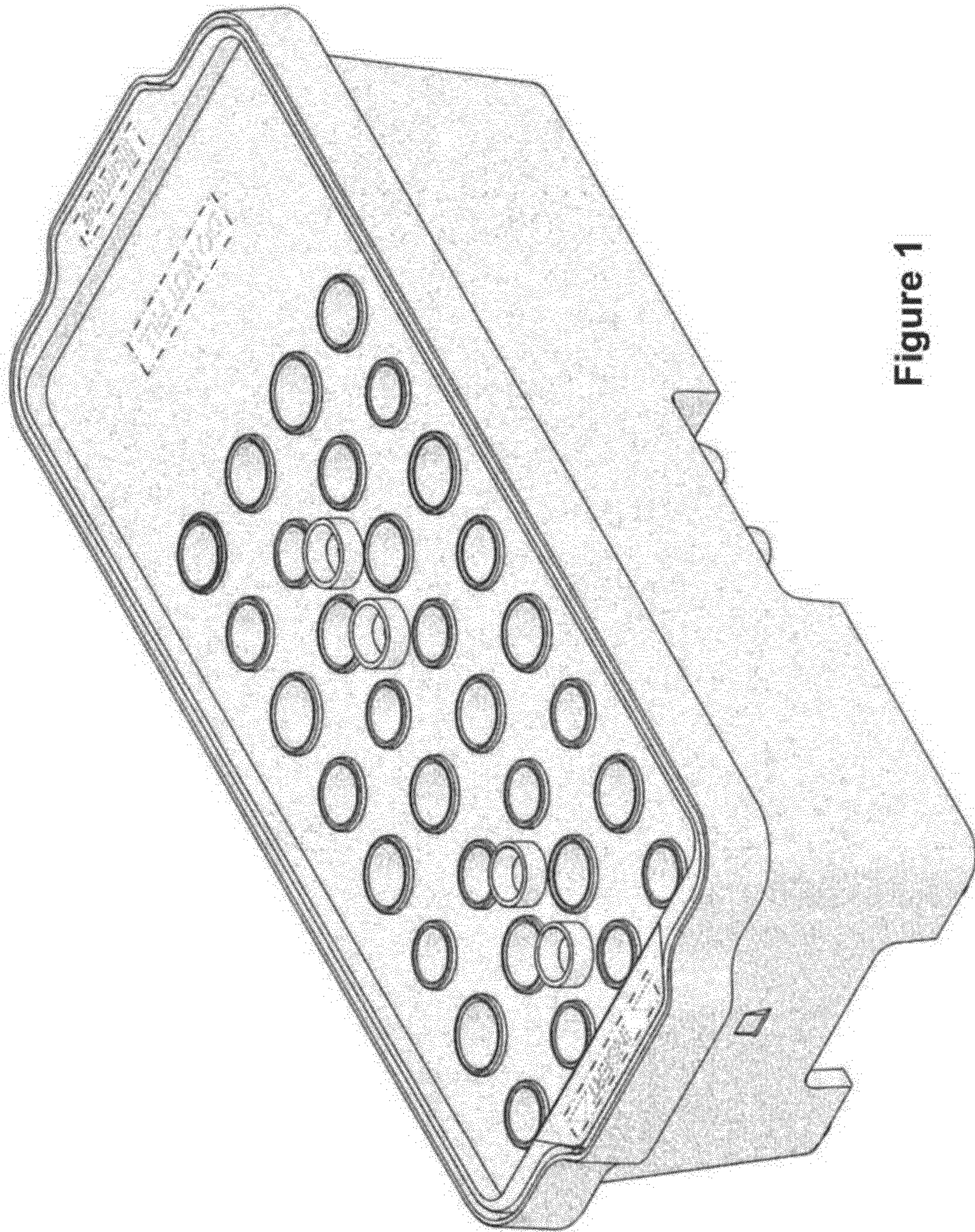


Figure 1

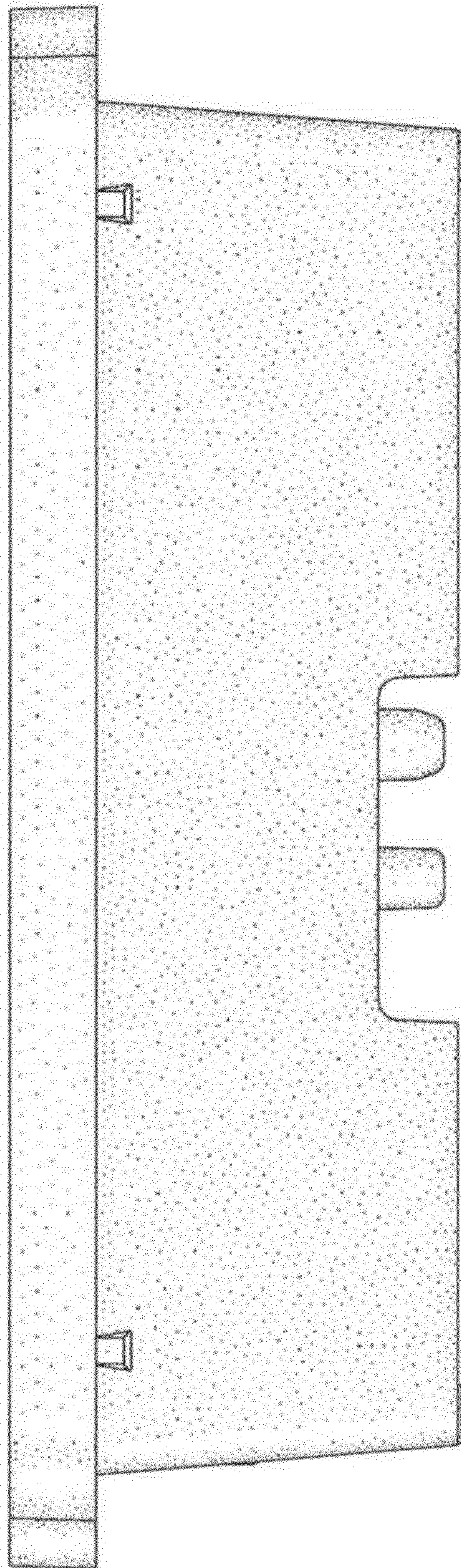


Figure 2

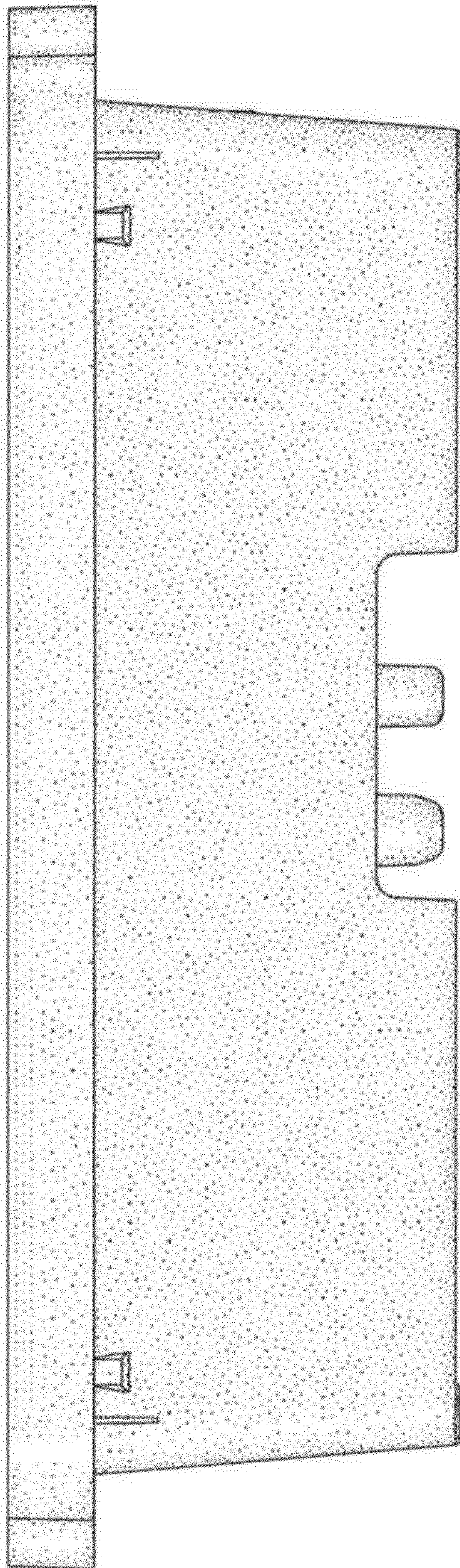


Figure 3

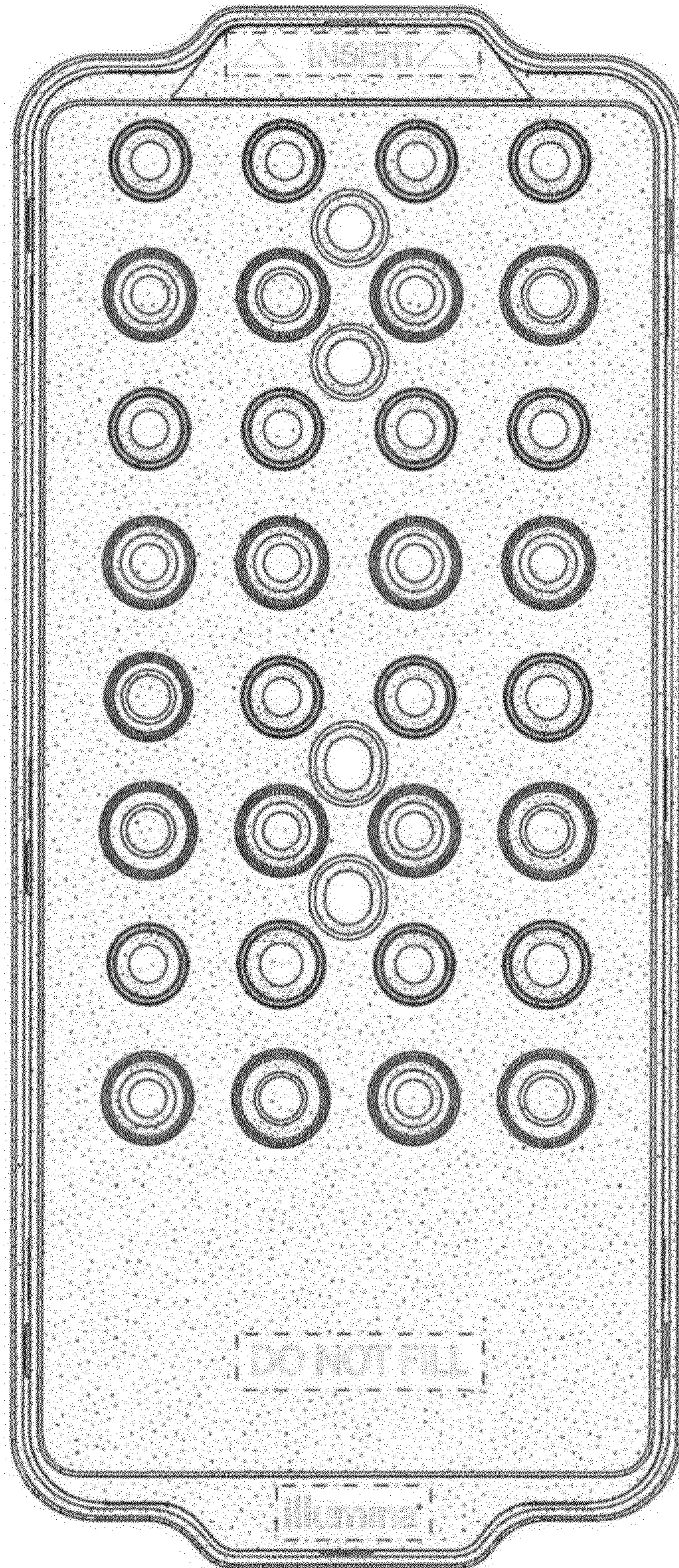


Figure 4

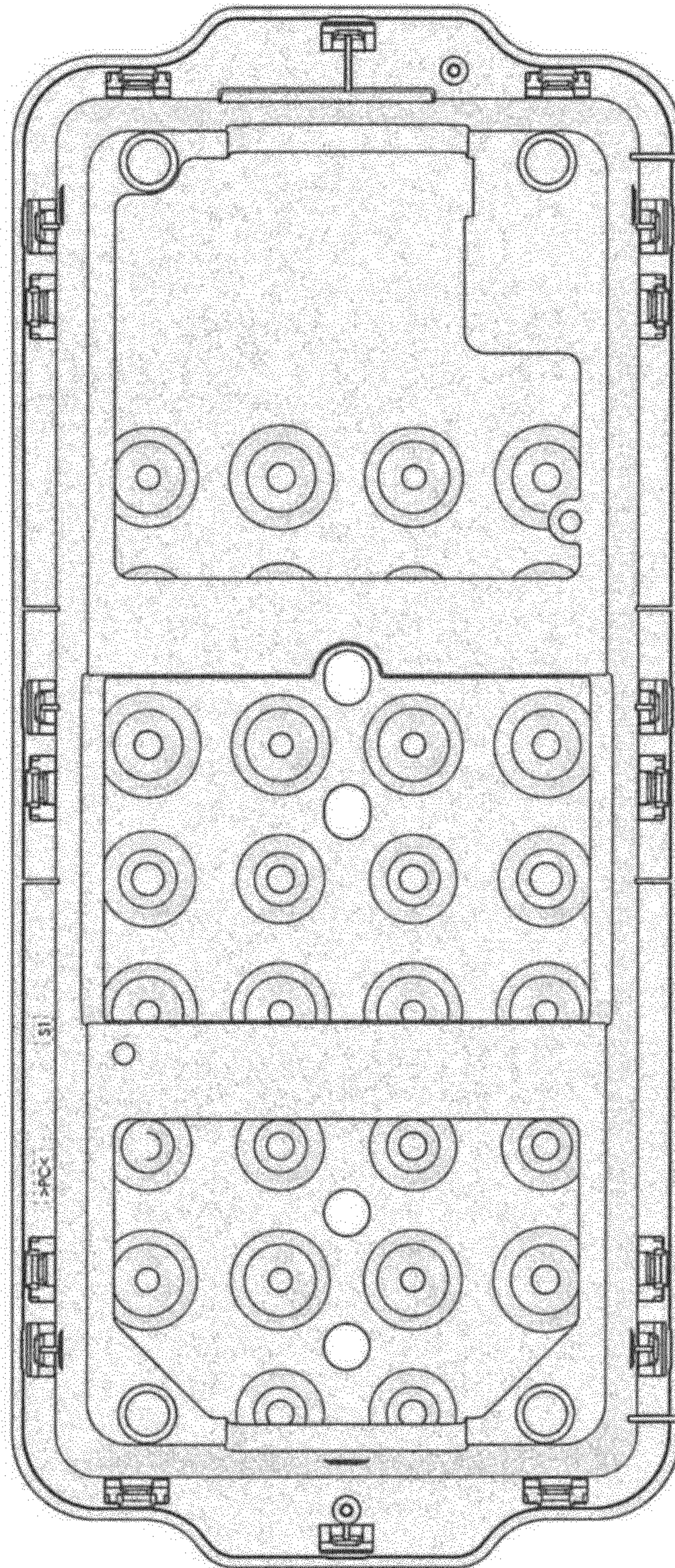


Figure 5

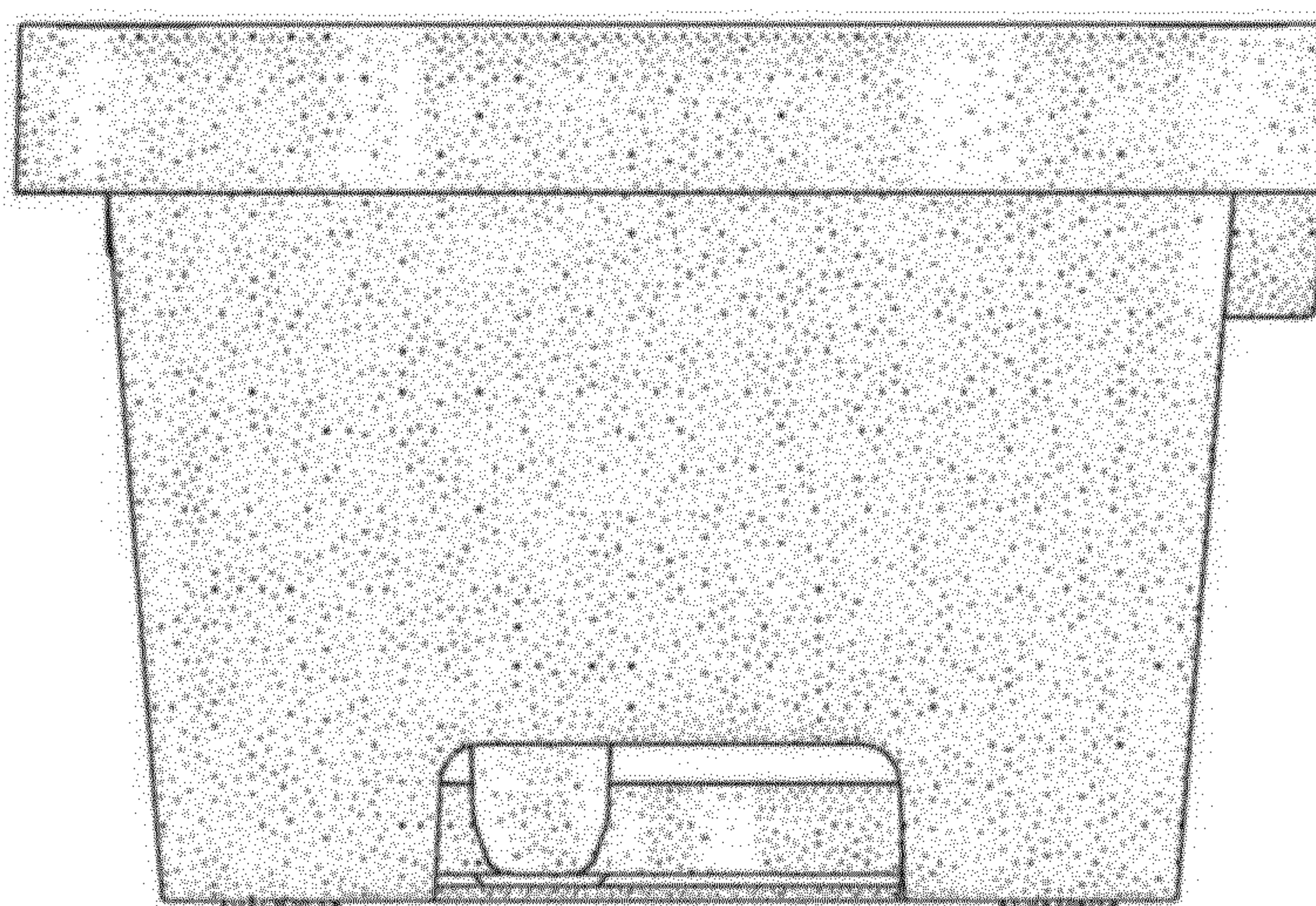


Figure 6

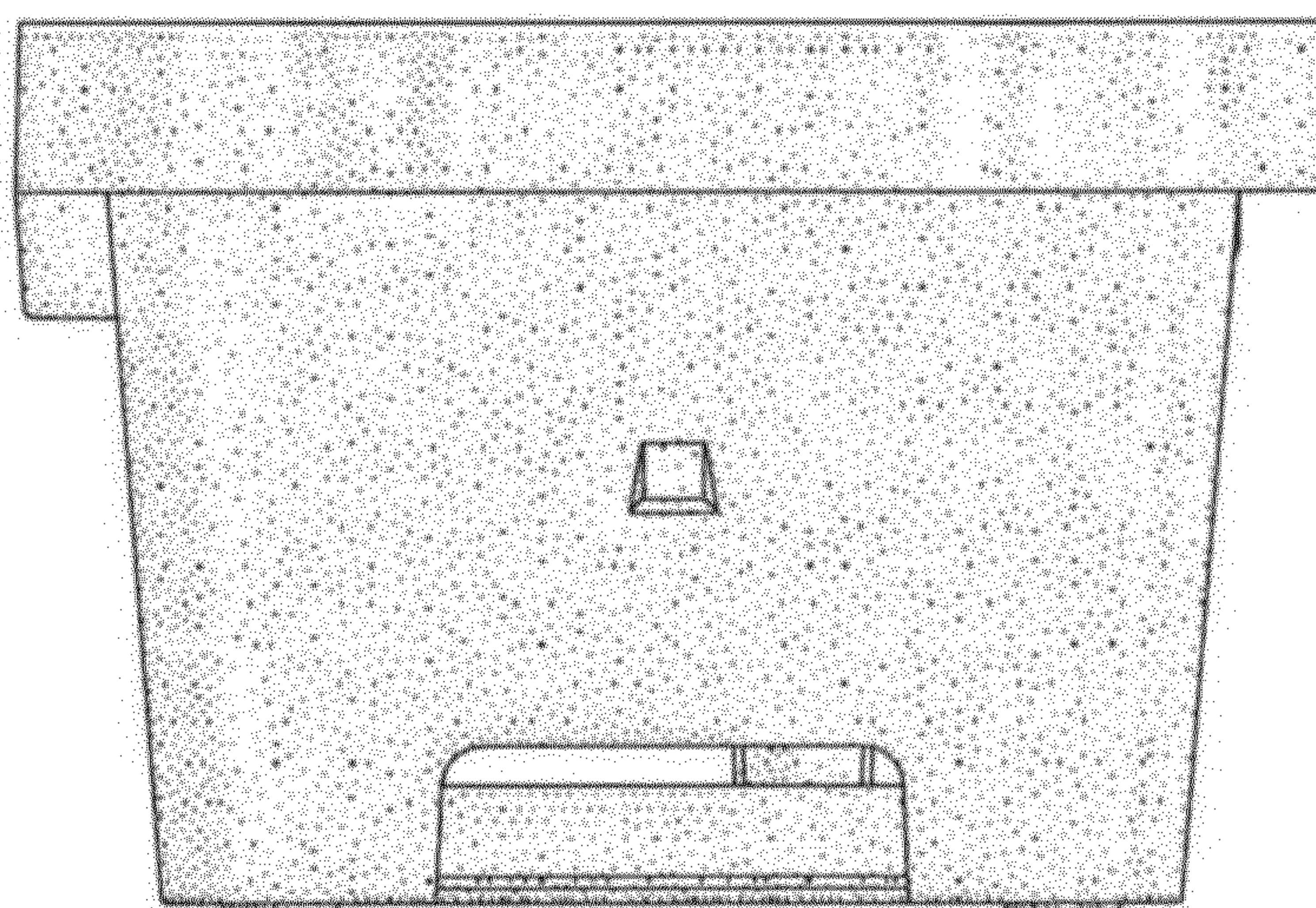


Figure 7

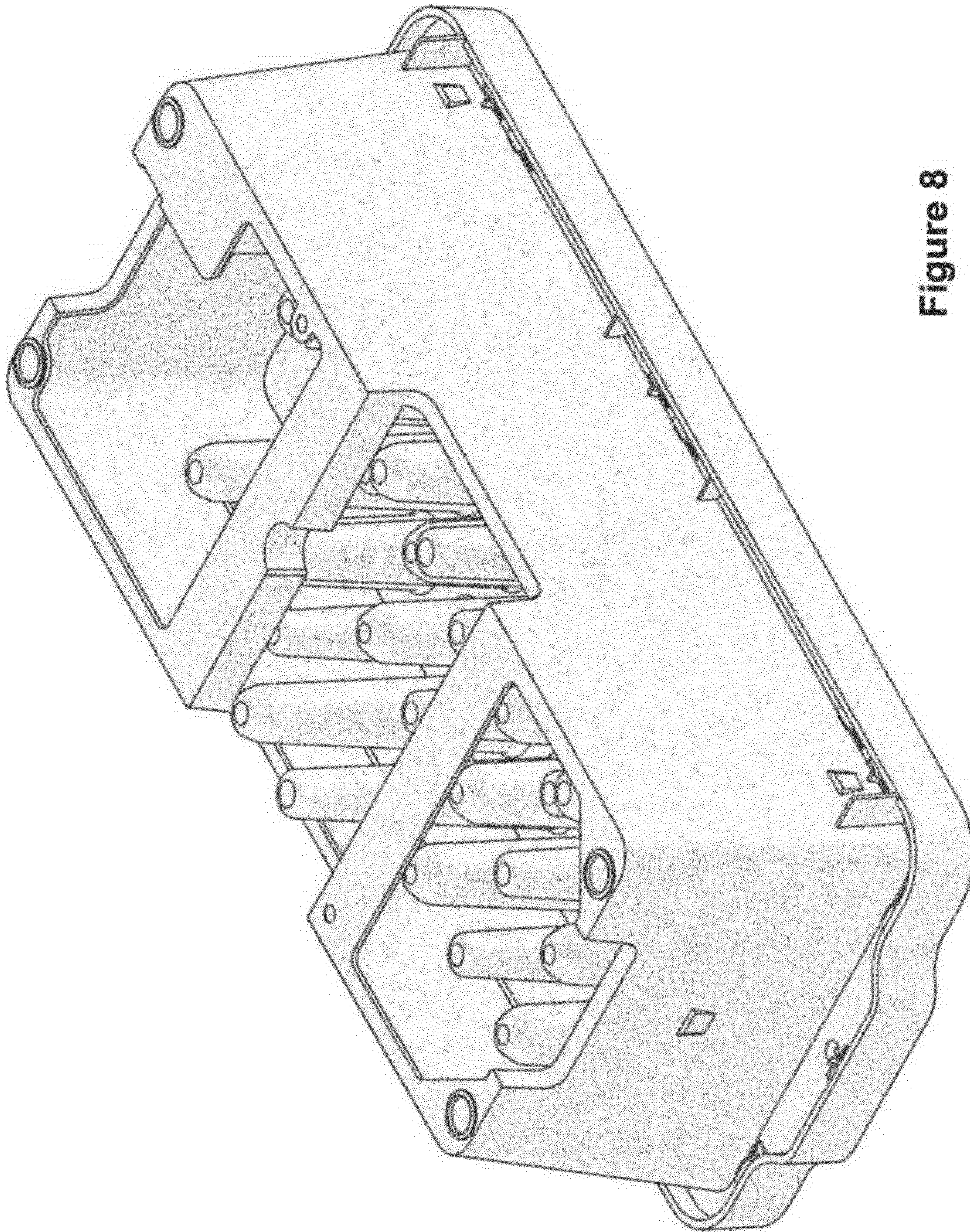


Figure 8

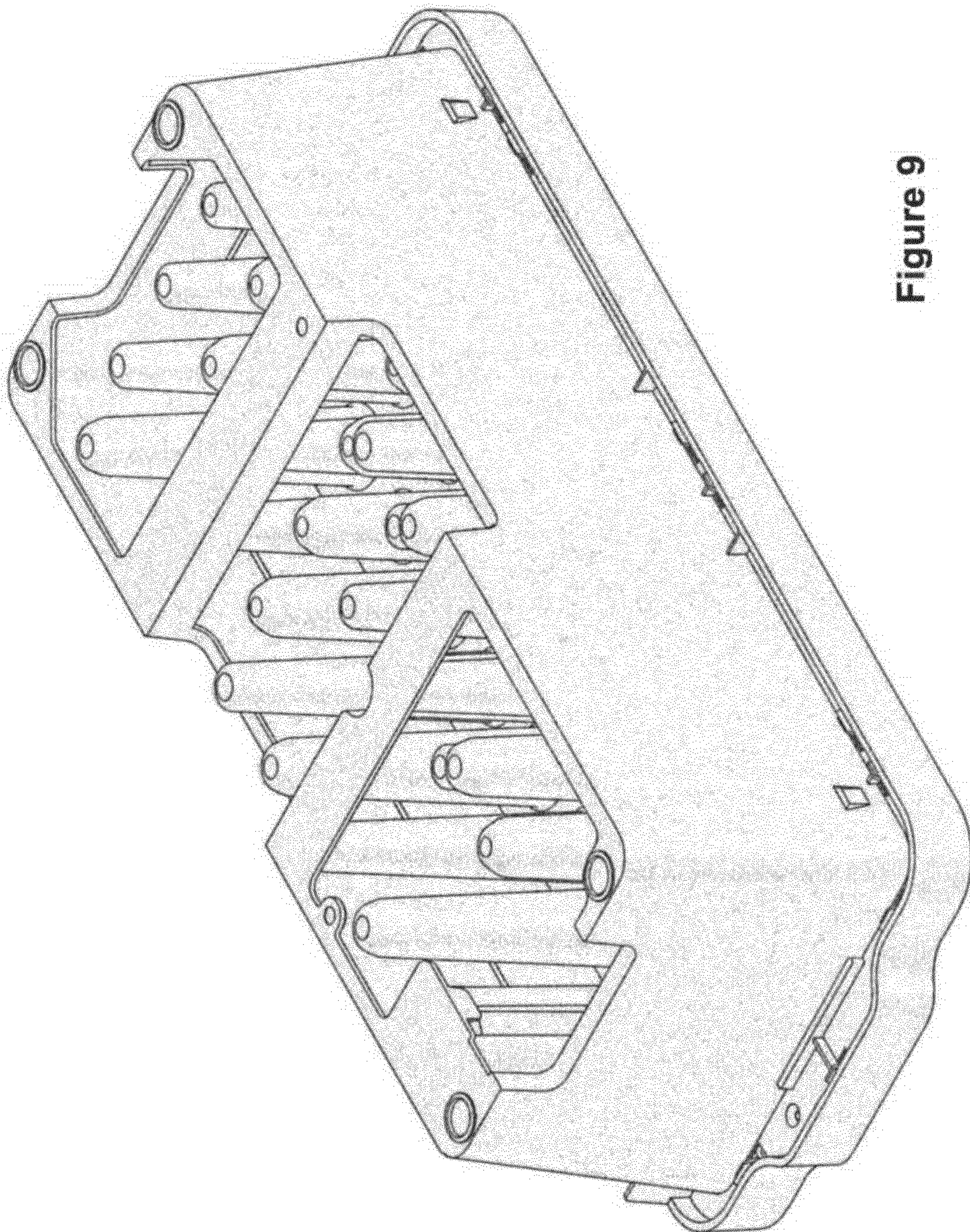


Figure 9

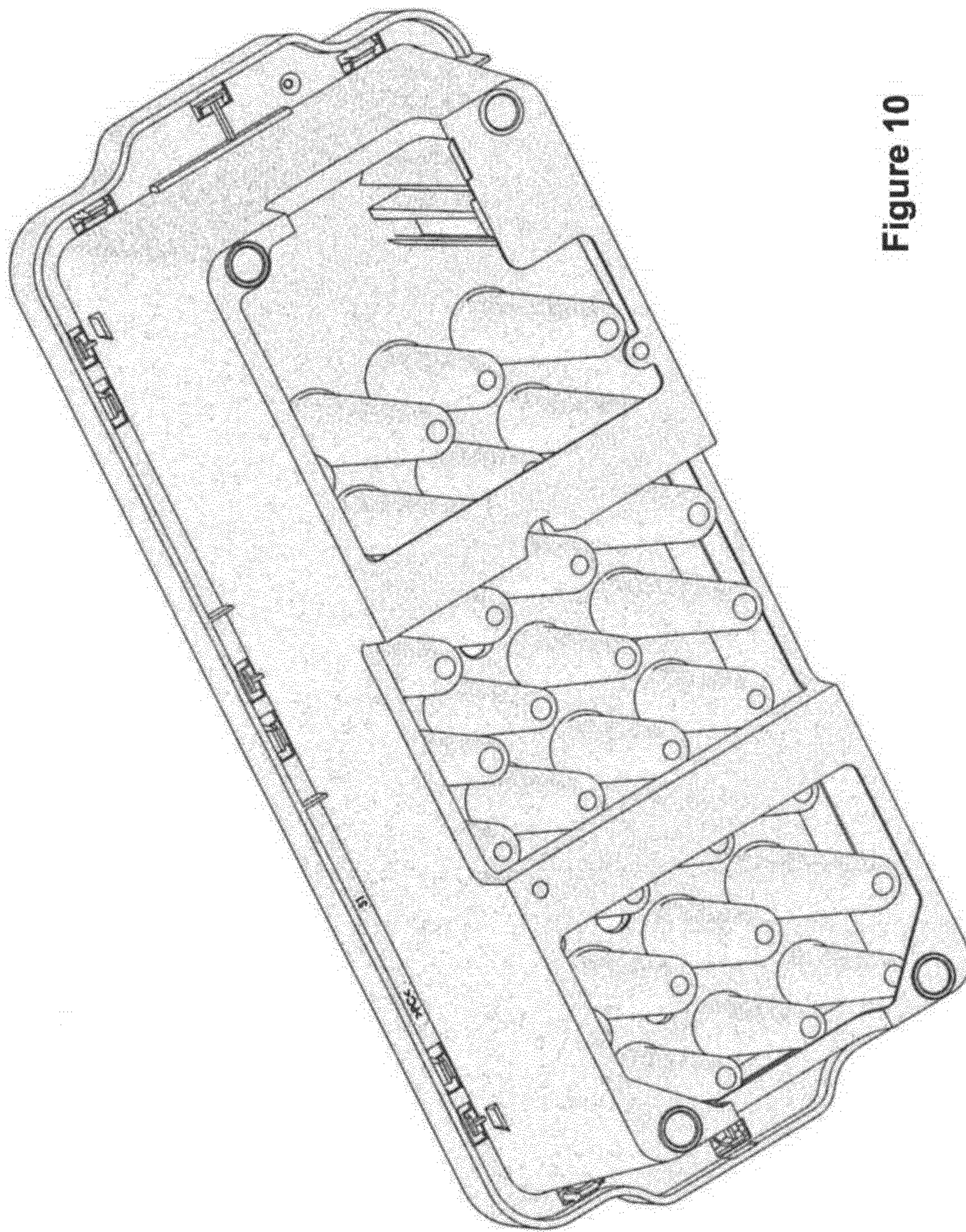


Figure 10

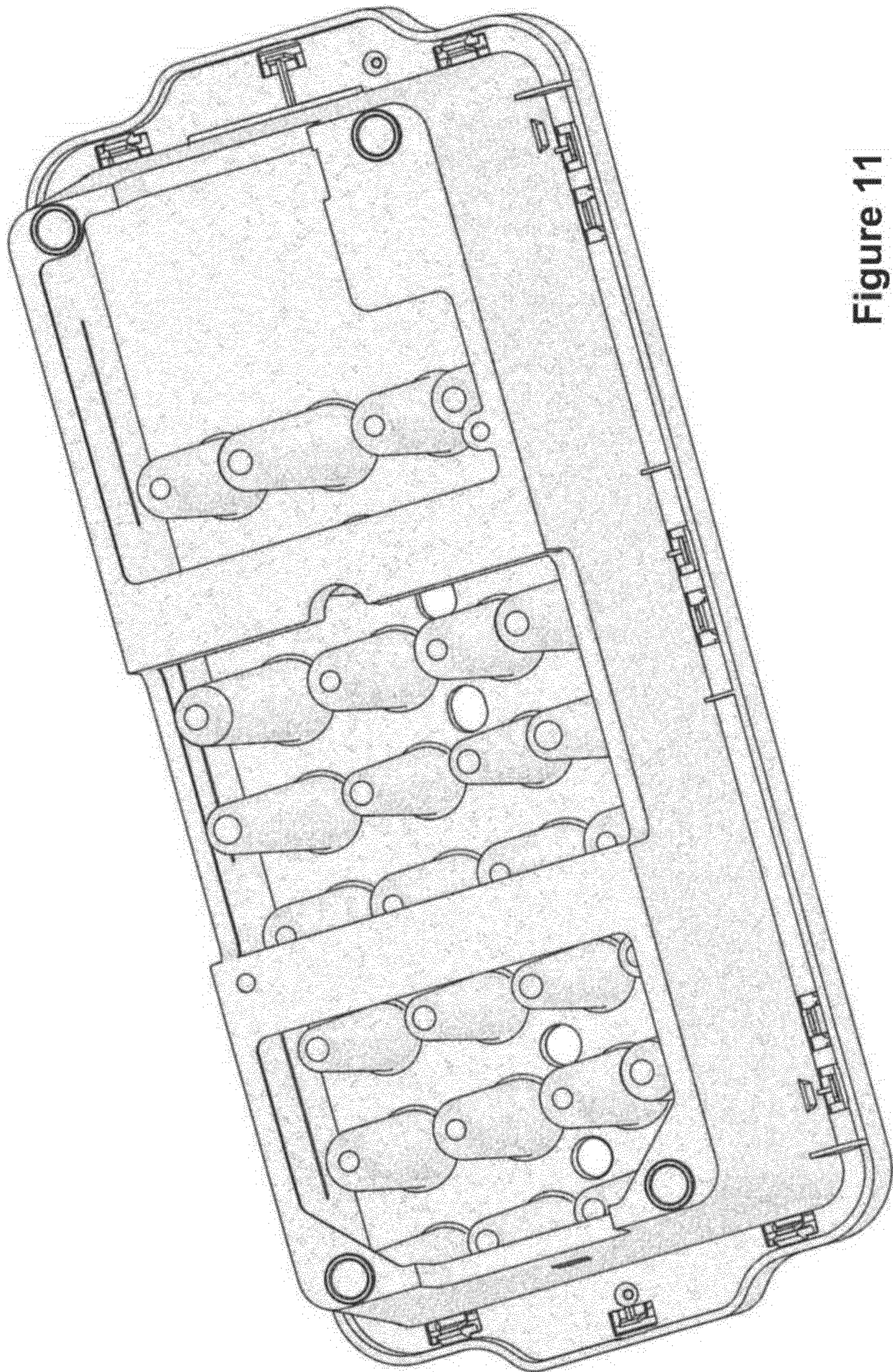


Figure 11