

US00D864410S

(12) **United States Design Patent** (10) **Patent No.:** **US D864,410 S**
Ota (45) **Date of Patent:** **** Oct. 22, 2019**

(54) **DISPLAY DEVICE FOR A MEASURING APPARATUS**

(71) Applicants: **ARKRAY, Inc.**, Kyoto (JP); **Alfresa Pharma Corporation**, Osaka (JP)

(72) Inventor: **Gisuke Ota**, Ichihara (JP)

(73) Assignees: **ARKRAY, Inc.**, Kyoto (JP); **Alfresa Pharma Corporation**, Osaka (JP)

(**) Term: **15 Years**

(21) Appl. No.: **29/595,230**

(22) Filed: **Feb. 27, 2017**

(30) **Foreign Application Priority Data**

Aug. 29, 2016 (JP) 2016-018300

(51) **LOC (12) Cl.** **24-02**

(52) **U.S. Cl.**
USPC **D24/216**

(58) **Field of Classification Search**
USPC D10/46, 46.2, 81; D24/186, 216, 231, D24/232, 124, 160; D14/300, 305, 334, D14/335, 336, 338, 900
CPC G01N 33/025; G01N 33/50; G01N 2035/00306; G01N 2035/00326; G01N 2035/00336; G01N 33/00336; G01N 33/53; G01N 33/5302; G01N 33/569
See application file for complete search history.

(56) **References Cited**

U.S. PATENT DOCUMENTS

D359,357 S * 6/1995 Bigler D24/186
D609,350 S * 2/2010 Hickey D24/186
D671,227 S * 11/2012 Parker D24/216
D673,952 S * 1/2013 Toda D14/383
8,361,390 B2 * 1/2013 Sugiyama B01D 19/0036
210/198.2

D682,441 S * 5/2013 Kim D24/216
8,534,456 B2 * 9/2013 Kimura G01N 35/04
198/539
D716,469 S * 10/2014 Muraoka D24/216
D720,393 S * 12/2014 Held D18/4.4
D722,640 S * 2/2015 Miyake D18/4.1
D740,434 S * 10/2015 Isozaki D24/216
D745,512 S * 12/2015 Lee D14/336

(Continued)

Primary Examiner — Garth Rademaker

Assistant Examiner — Fritzgerald L Butac

(74) *Attorney, Agent, or Firm* — Stuebaker & Brackett
PC

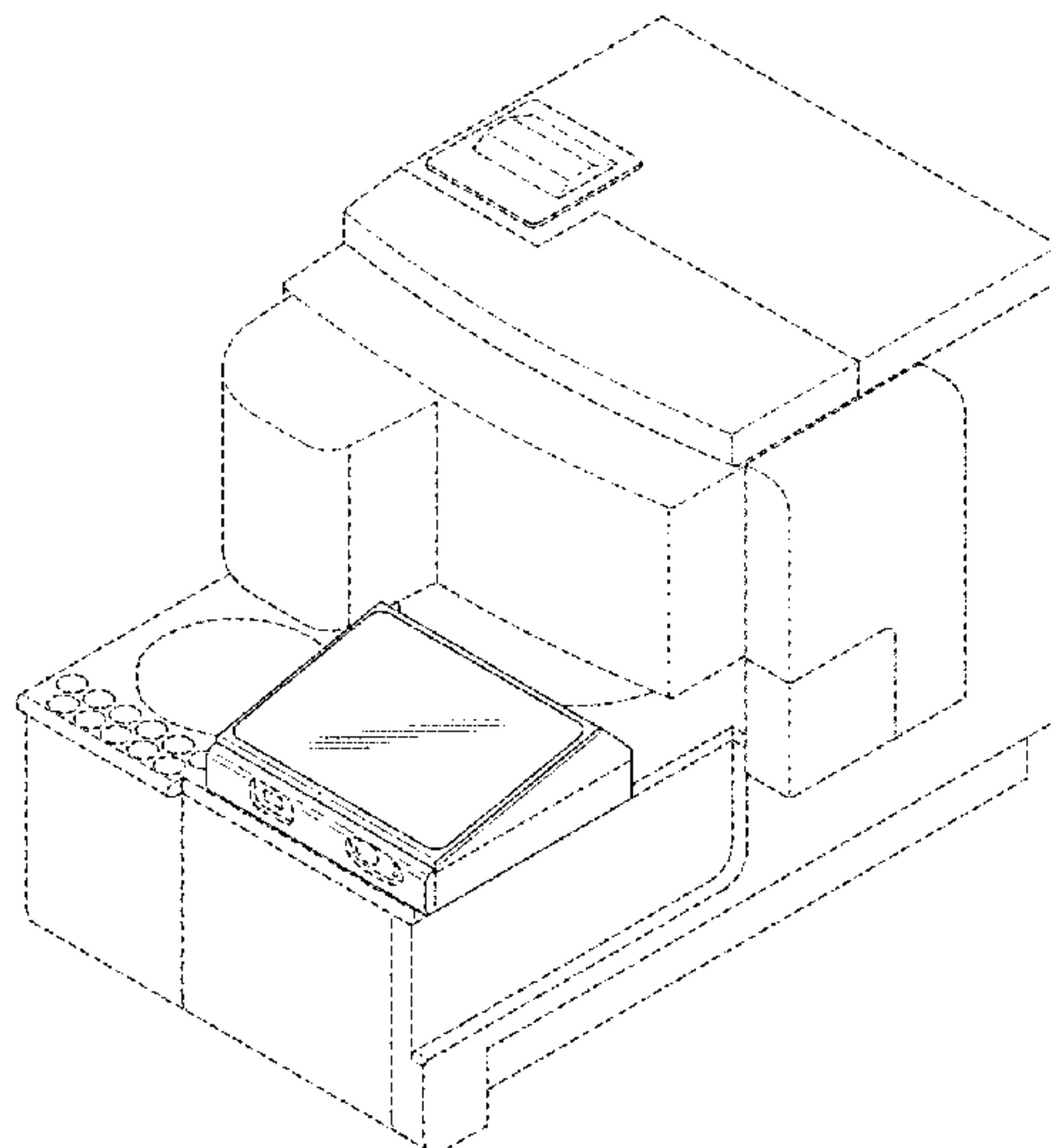
(57) **CLAIM**

I claim the ornamental design for a display device for a measuring apparatus, as shown and described.

DESCRIPTION

FIG. 1 is a perspective view of a display device for a measuring apparatus according to my design;
FIG. 2 is a front elevational view of the same display device for a measuring apparatus;
FIG. 3 is a rear elevational view of the same display device for a measuring apparatus;
FIG. 4 is a top plan view of the same display device for a measuring apparatus;
FIG. 5 is a bottom view of the same display device for a measuring apparatus;
FIG. 6 is a left side elevational view of the same display device for a measuring apparatus;
FIG. 7 is a right side elevational view of the same display device for a measuring apparatus; and,
FIG. 8 is a perspective view similar to FIG. 1, wherein the display device for a measuring apparatus is rearranged in a different orientation than that shown in FIG. 1.
The broken lines show the body of a measuring apparatus and portions of a display device for a measuring apparatus, none of which form a part of the claimed design.

1 Claim, 6 Drawing Sheets



(56)

References Cited

U.S. PATENT DOCUMENTS

9,217,750 B2 * 12/2015 Shibata G01N 35/1004
D747,227 S * 1/2016 Fujiwara D10/81
9,285,347 B2 * 3/2016 Satake B01D 19/0063
D758,221 S * 6/2016 Fujiwara D10/81
9,429,579 B2 * 8/2016 Sugiyama G01N 33/66
D771,181 S * 11/2016 Jung D18/50
D774,205 S * 12/2016 Grace D24/169
D775,127 S * 12/2016 Strubi D14/358
D784,270 S * 4/2017 Bhattacharya D13/162
9,643,104 B2 * 5/2017 Matsubara B01D 15/265
D789,362 S * 6/2017 Eljas D14/366
D794,211 S * 8/2017 Ang D24/232
9,759,696 B2 * 9/2017 Sezaki B01D 19/0005
D808,960 S * 1/2018 Chan D14/341
D835,184 S * 12/2018 Sorio D18/4.5
D839,264 S * 1/2019 Nagano D14/301
D844,472 S * 4/2019 Van Wijngaarden D10/97
D849,701 S * 5/2019 Lee D14/126
2005/0031492 A1 * 2/2005 Koike G01N 35/026
422/82.01
2014/0119994 A1 * 5/2014 Ariyoshi G01N 33/50
422/68.1
2014/0178251 A1 * 6/2014 Yamada G01N 35/1011
422/67
2015/0000428 A1 * 1/2015 Fukuda G01N 35/1009
73/864.11
2015/0064742 A1 * 3/2015 Sakamoto G01N 15/1434
435/34

* cited by examiner

Fig. 1

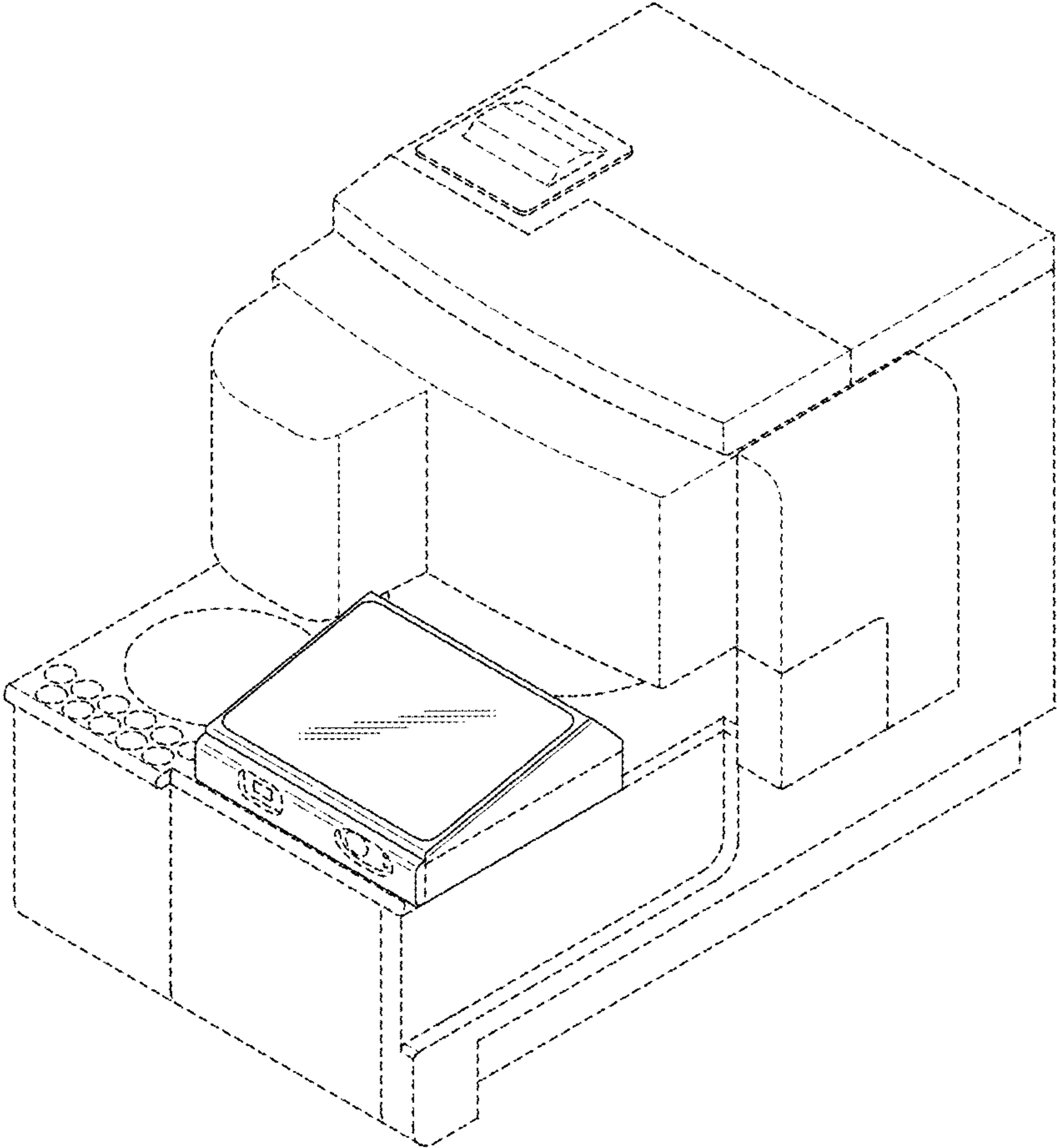


Fig. 2

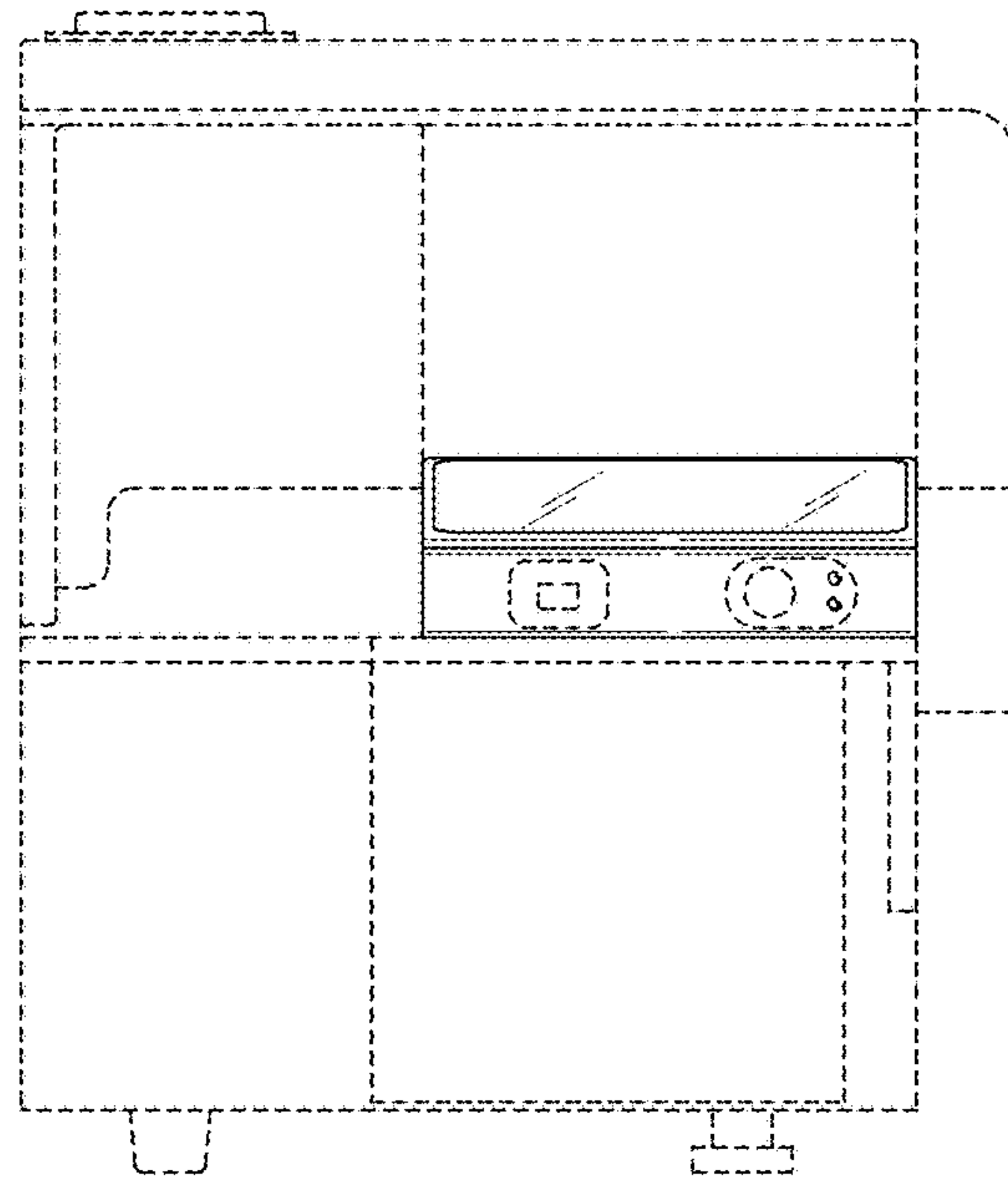


Fig. 3

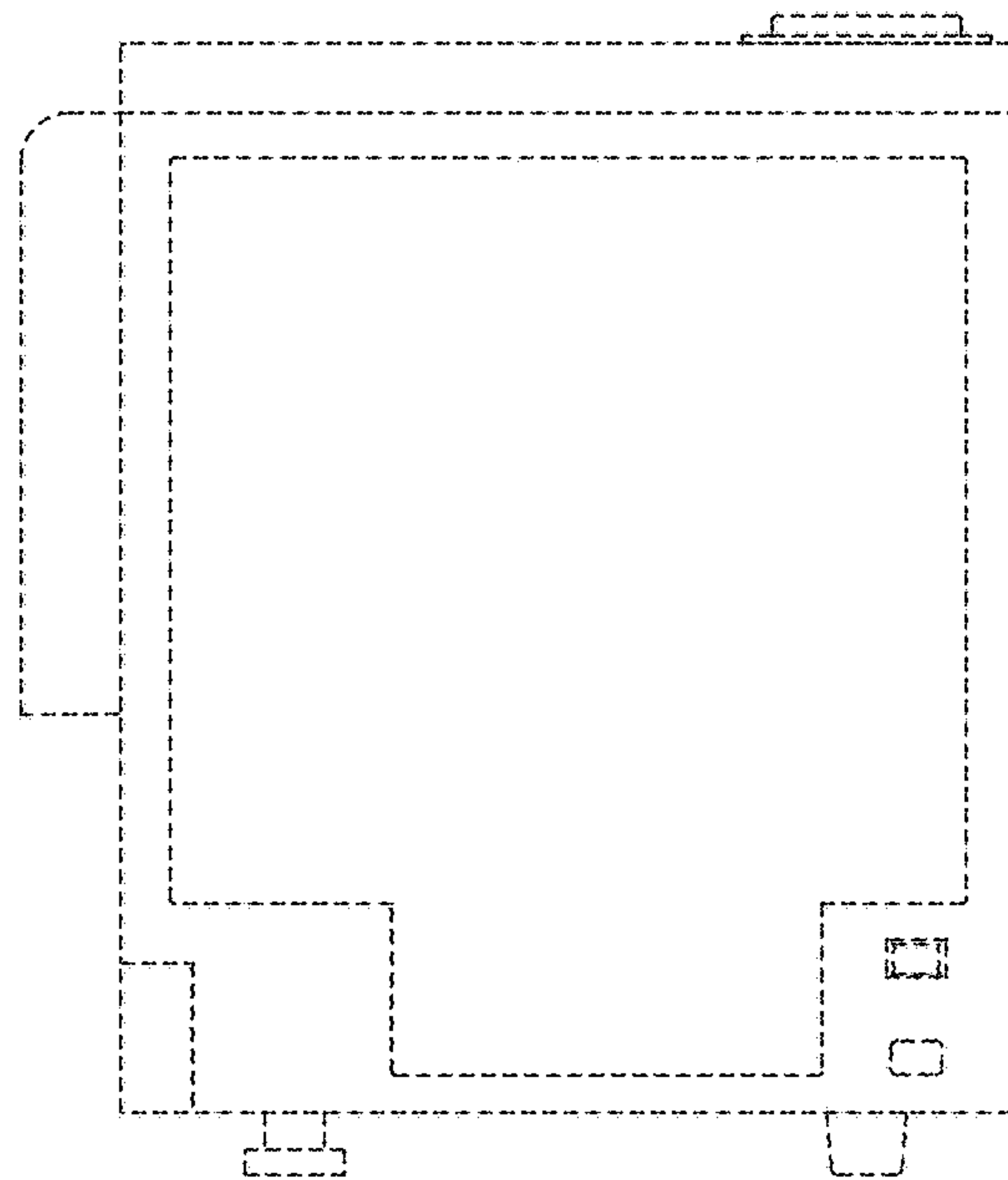


Fig. 4

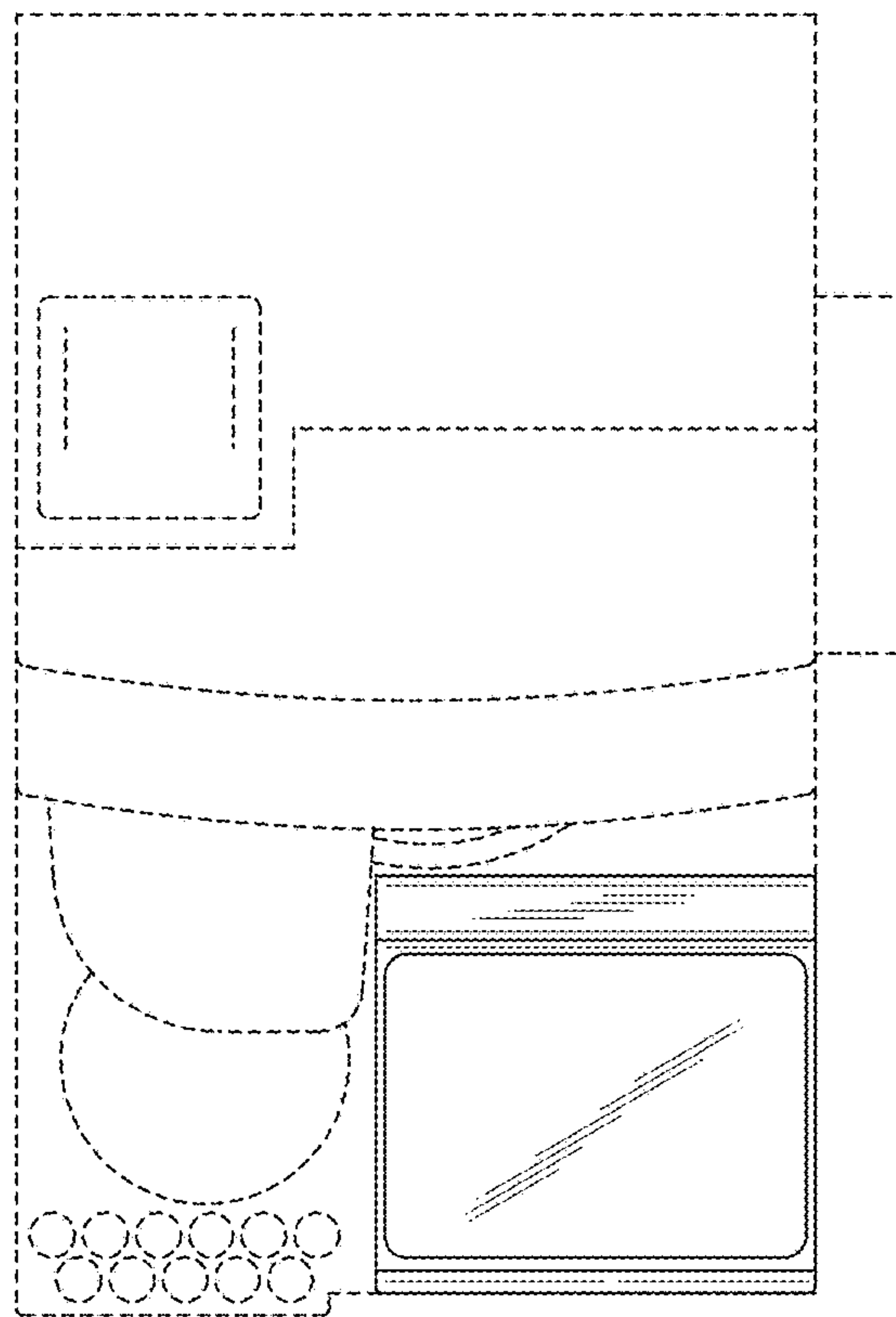


Fig. 5

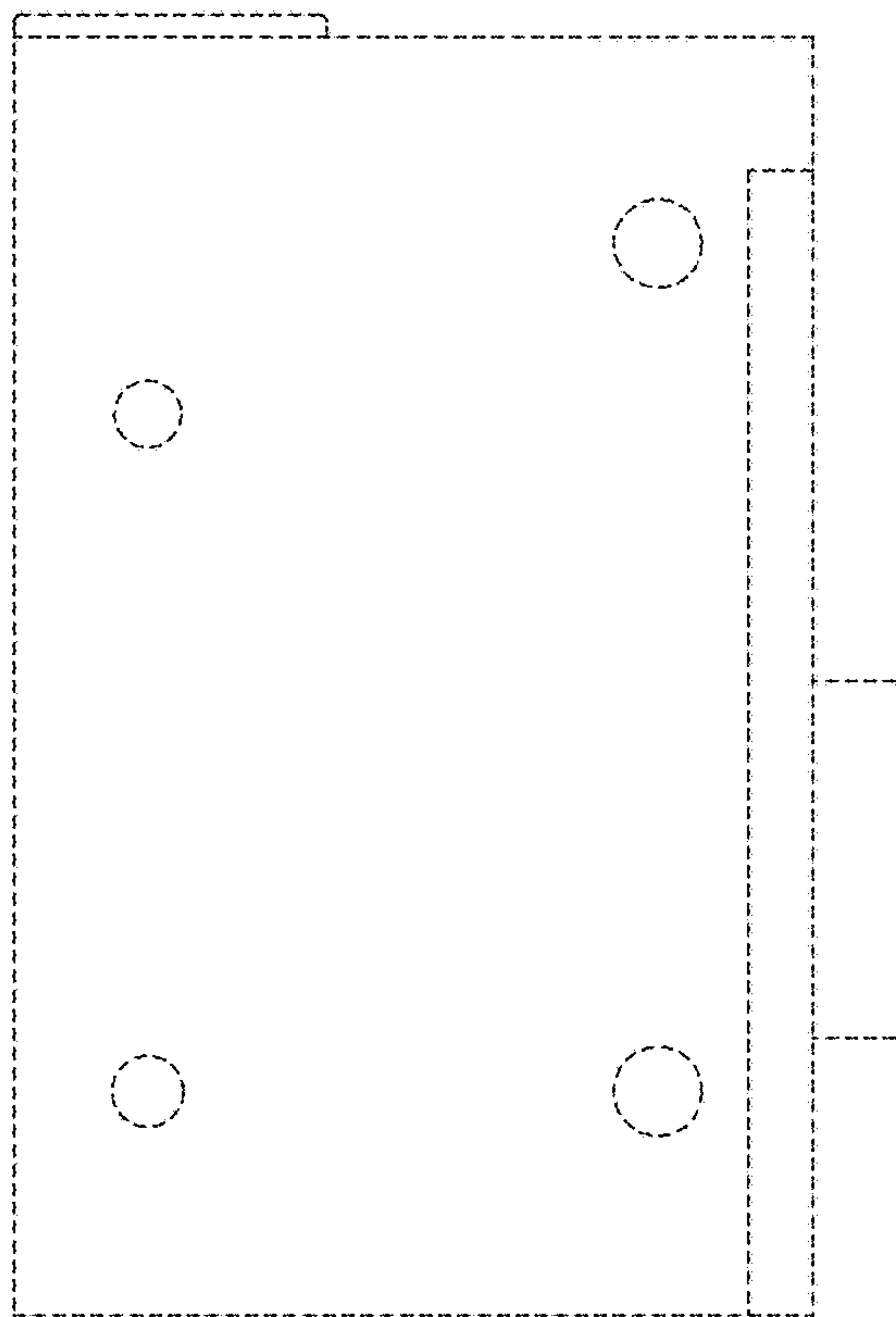


Fig. 6

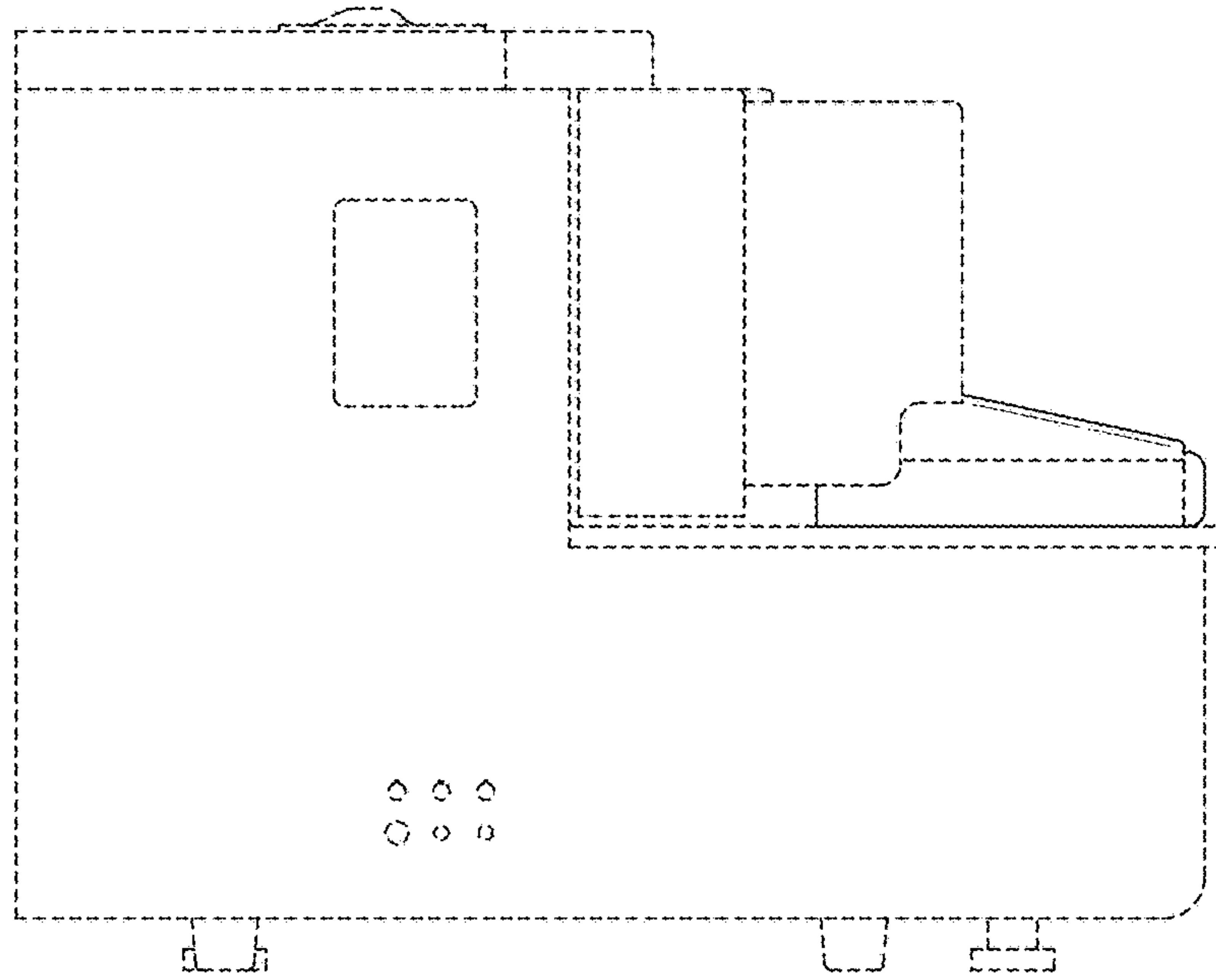


Fig. 7

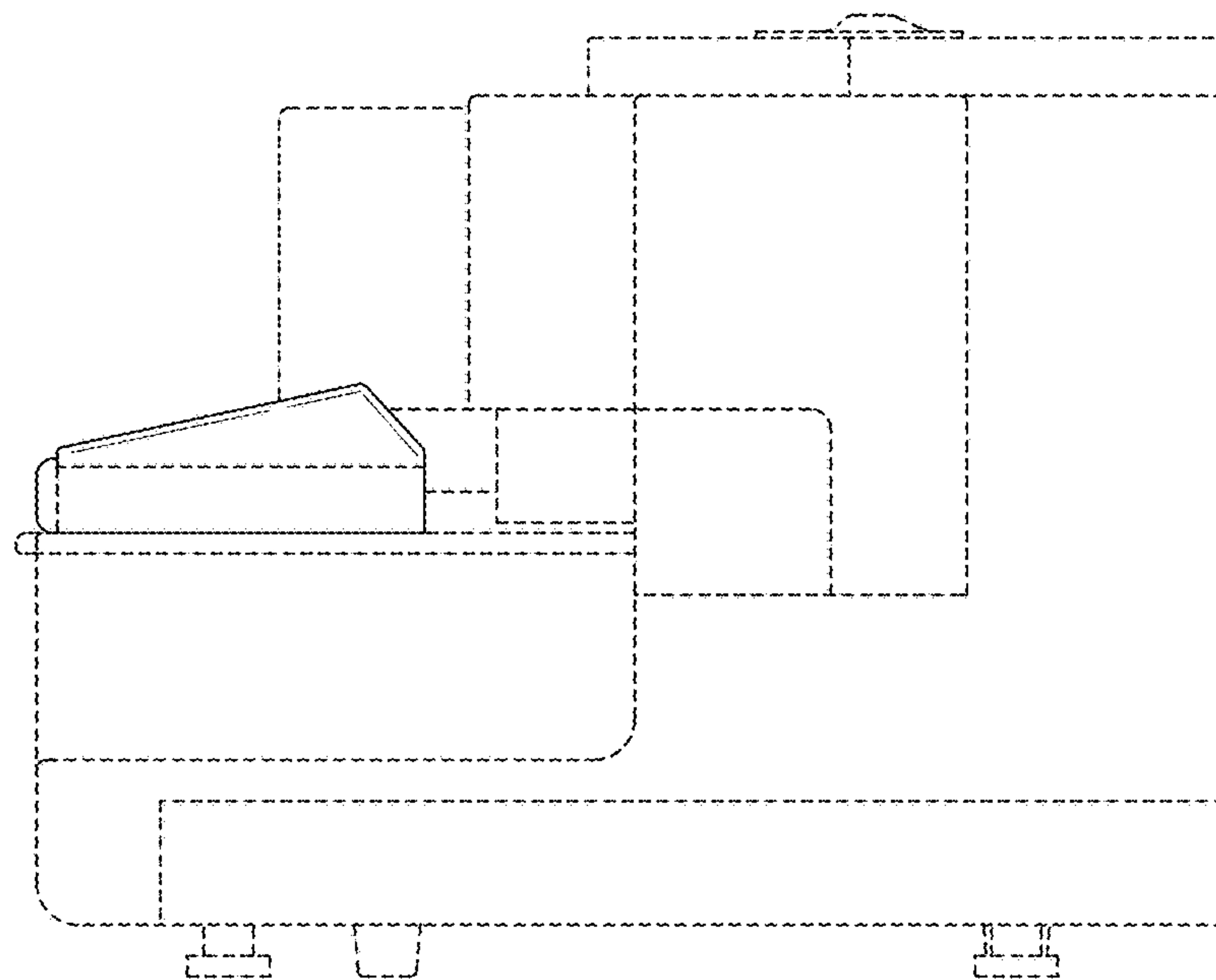


Fig. 8

