



US00D864409S

(12) **United States Design Patent** (10) **Patent No.:** **US D864,409 S**  
**Ehret** (45) **Date of Patent:** **\*\* Oct. 22, 2019**

(54) **PERSONAL MASSAGER** 7,250,032 B2 \* 7/2007 Fink ..... A61H 1/0292  
601/118  
(71) Applicant: **Lovehoney Group Limited**, Bath (GB) D563,557 S \* 3/2008 Fink ..... D24/200  
D567,951 S \* 4/2008 Fink ..... D24/200  
(72) Inventor: **Susan Ann Ehret**, Queensland (AU) D667,131 S \* 9/2012 Faussett ..... D24/215  
D675,333 S \* 1/2013 Luzon ..... D24/215  
(73) Assignee: **Lovehoney Group Limited**, Bath (GB) D715,935 S \* 10/2014 Huntington ..... D24/146  
D742,601 S \* 11/2015 Holterhaus ..... D30/160  
D765,873 S \* 9/2016 Hetzel ..... D24/214  
(\*\*) Term: **15 Years** D795,443 S \* 8/2017 Ho ..... D24/200  
D807,520 S \* 1/2018 Ho ..... D24/200  
(21) Appl. No.: **29/679,331** D820,993 S \* 6/2018 Huang ..... D24/215  
D825,067 S \* 8/2018 Ho ..... D24/200  
(22) Filed: **Feb. 5, 2019** 2015/0223970 A1 \* 8/2015 Holland ..... A61F 7/10  
601/19

**Related U.S. Application Data**

(62) Division of application No. 29/601,664, filed on Apr. 25, 2017, now Pat. No. Des. 844,800.  
(51) **LOC (12) Cl.** ..... **28-03**  
(52) **U.S. Cl.**  
USPC ..... **D24/215**  
(58) **Field of Classification Search**  
USPC ..... 601/15, 18, 19, 27, 28, 29, 30, 31, 32,  
601/46, 47, 48, 52, 72, 99, 112, 113, 118,  
601/135, 137, DIG. 12, DIG. 14, DIG. 15,  
601/DIG. 16, DIG. 17; D24/200, 211,  
D24/212, 213, 214, 215; D30/160;  
600/38, 39, 40, 41; D23/366, 367  
CPC .... A61H 2015/0014; A61H 2015/0042; A61H  
23/00  
See application file for complete search history.

**References Cited**

**U.S. PATENT DOCUMENTS**

D260,928 S \* 9/1981 Gueret ..... D24/211  
D299,277 S \* 1/1989 Bussell ..... D28/8.2  
D357,322 S \* 4/1995 Matthews ..... D24/200  
D378,539 S \* 3/1997 Scott ..... D24/211  
D454,644 S \* 3/2002 York ..... D24/214  
D469,880 S \* 2/2003 York ..... D24/214  
D478,947 S \* 8/2003 Lu ..... D21/662

**OTHER PUBLICATIONS**

Lovehoney, "Oxballs Squeeze 2-Inch Ball Stretcher", Dec. 14, 2017. [https://www.lovehoney.com/product.cfm?p=38790&ReviewPage=2#customer\\_reviews](https://www.lovehoney.com/product.cfm?p=38790&ReviewPage=2#customer_reviews). Shown on p. 1. (Year: 2017).\*

\* cited by examiner

*Primary Examiner* — Cynthia Ramirez  
*Assistant Examiner* — Michael A Maharajh  
(74) *Attorney, Agent, or Firm* — Thomas A. O'Rourke;  
Bodner & O'Rourke, LLP

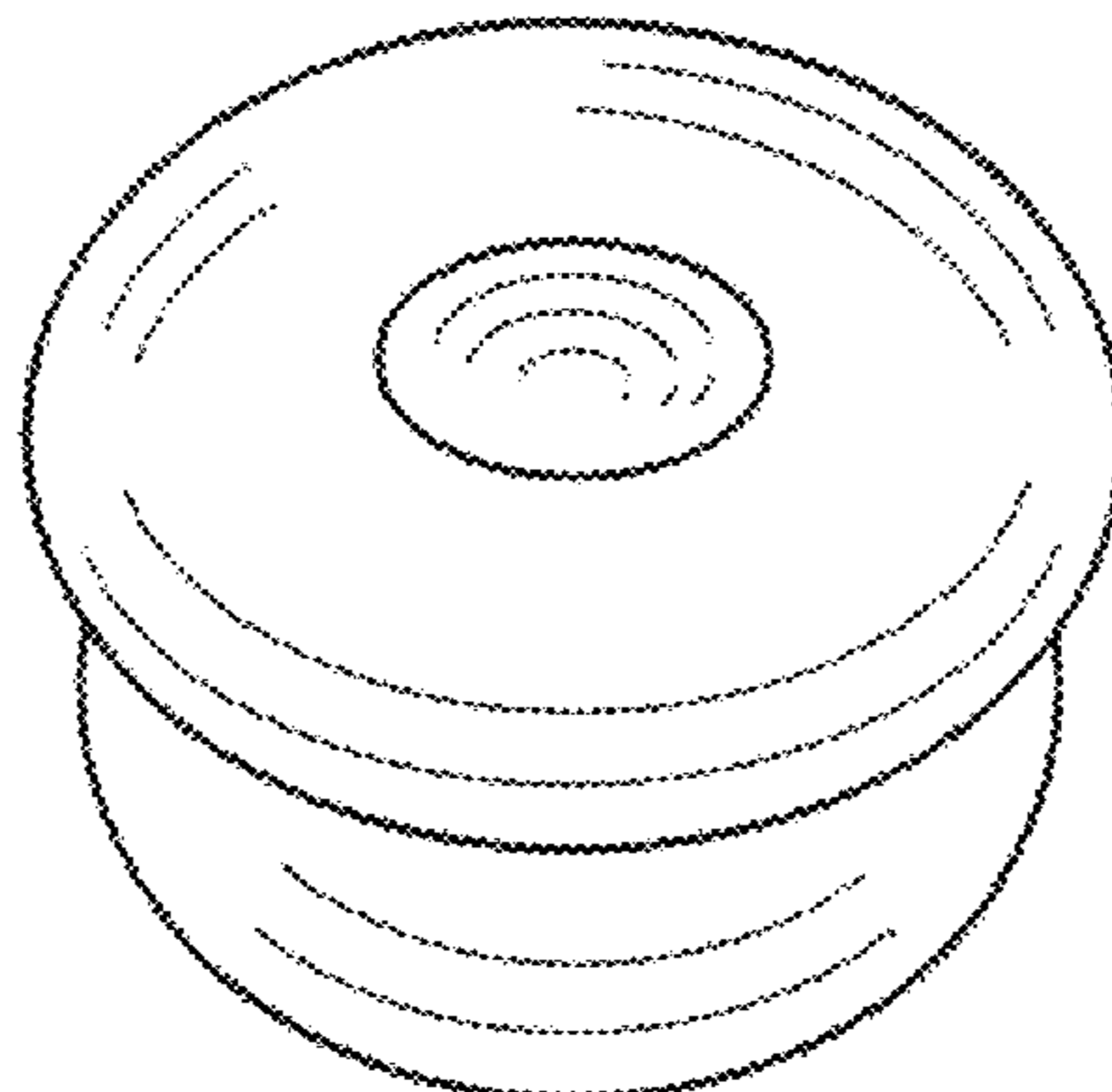
(57) **CLAIM**

The ornamental design for a personal massager, as shown and described.

**DESCRIPTION**

FIG. 1 is a perspective view of the personal massager showing my new design;  
FIG. 2 is a top view, the bottom view being a mirror image thereof;  
FIG. 3 is a cross section view of FIG. 2 taken along line 3-3 thereof; and,  
FIG. 4 is a side view thereof.

**1 Claim, 2 Drawing Sheets**



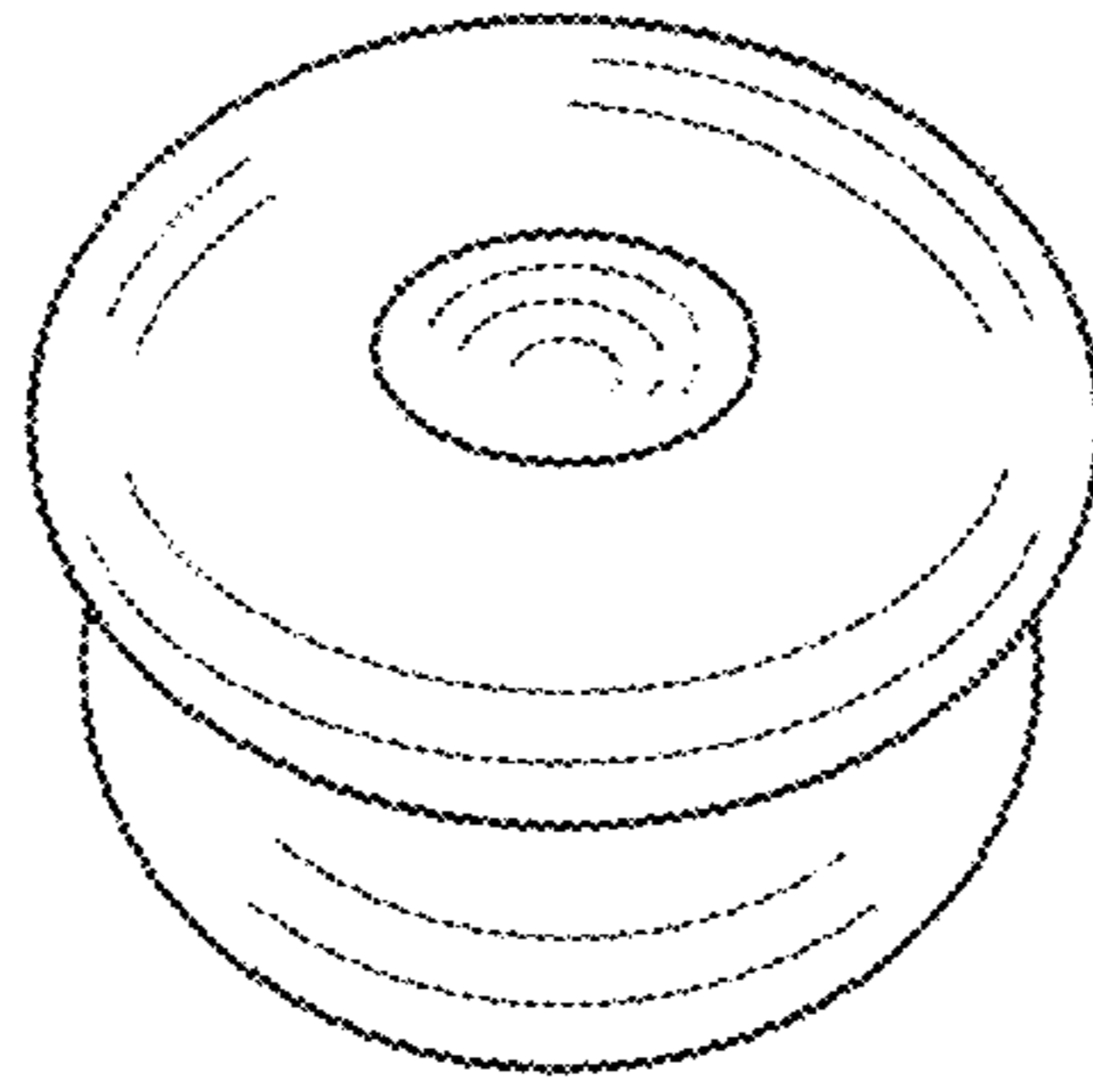


FIG. 1

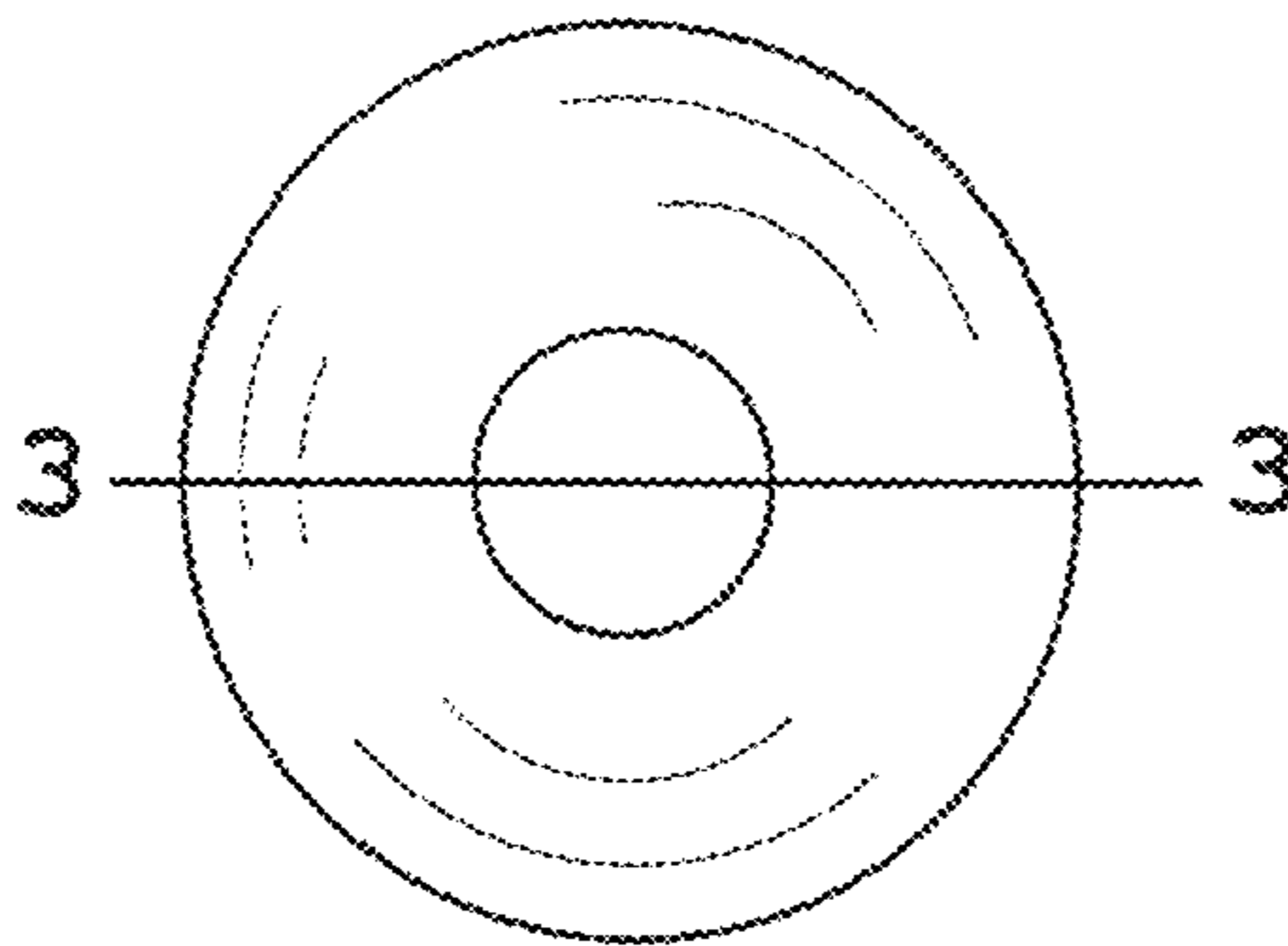


FIG. 2

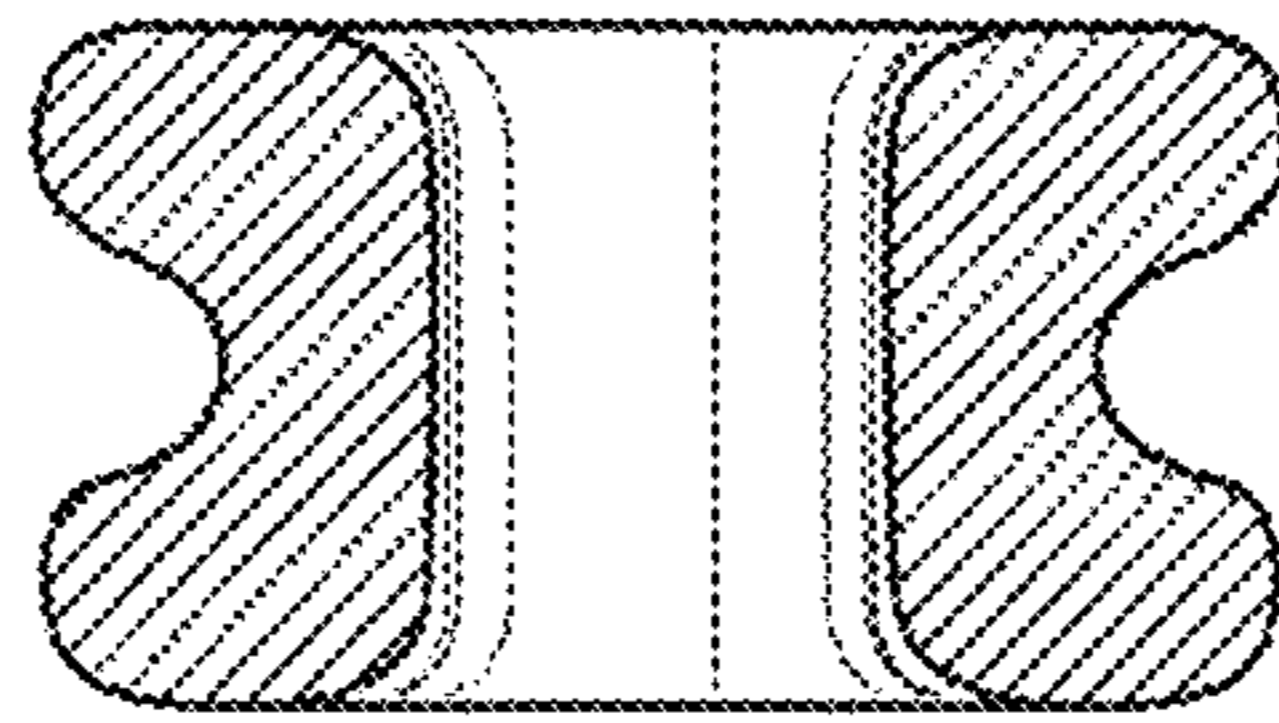


FIG. 3

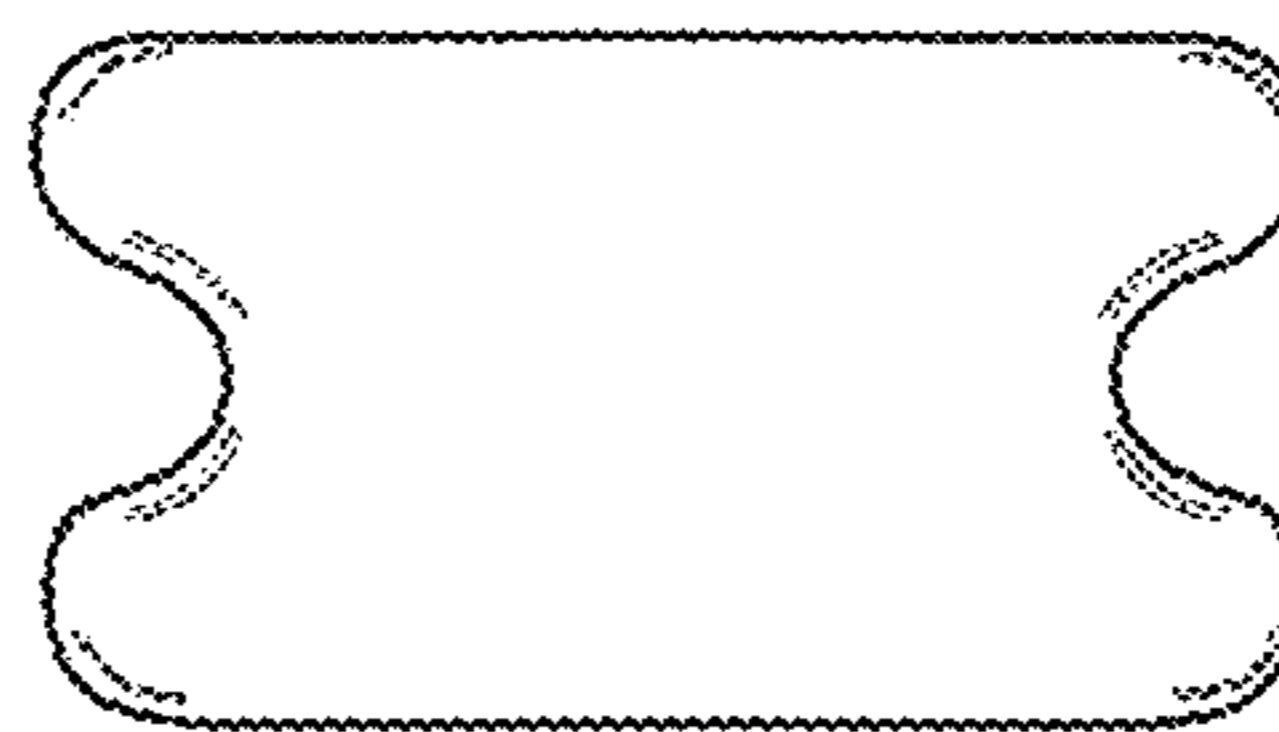


FIG. 4