

US00D864404S

(12) **United States Design Patent** (10) **Patent No.:** **US D864,404 S**
Roberts (45) **Date of Patent:** **** Oct. 22, 2019**

(54) **MEDICAL PACK**

2007/0231; A61F 2007/0277; A61H
36/00; A41D 20/00; A41D 20/005

(71) Applicant: **Suzanne Yvonne Roberts**, Brooklyn,
NY (US)

See application file for complete search history.

(72) Inventor: **Suzanne Yvonne Roberts**, Brooklyn,
NY (US)

(56) **References Cited**

(**) Term: **15 Years**

U.S. PATENT DOCUMENTS

(21) Appl. No.: **29/630,443**

3,828,786 A	8/1974	Cervantes
3,937,212 A	2/1976	Fletcher et al.
4,240,436 A	12/1980	Singleton
4,964,402 A	10/1990	Grim et al.
D327,329 S	6/1992	Hubbard et al.
D328,792 S	8/1992	Salmon et al.
5,167,655 A	12/1992	McCoy
D369,218 S	4/1996	Vandenbelt
5,534,020 A	7/1996	Cheney, III et al.

(22) Filed: **Dec. 21, 2017**

(Continued)

Related U.S. Application Data

FOREIGN PATENT DOCUMENTS

(63) Continuation-in-part of application No. 29/577,398,
filed on Sep. 13, 2016, now Pat. No. Des. 816,237.

CN	2774443 Y	4/2006
CN	1883341 A	12/2006

(51) **LOC (12) Cl.** **24-04**

(Continued)

(52) **U.S. Cl.**

USPC **D24/207**

(58) **Field of Classification Search**

USPC D24/114, 118, 124–126, 128, 130, 133,
D24/135, 171, 190, 191, 200, 202,
D24/205–208; D3/215, 221, 224, 226,
D3/231, 303; D9/707; 482/10, 106, 127;
602/1–3, 14, 41, 48, 53, 56, 75;
D29/101.1, 111, 105

Primary Examiner — Wan Laymon

Assistant Examiner — Clint A Samuel

(74) *Attorney, Agent, or Firm* — Lincoln Square Legal
Services, Inc.

CPC A61F 13/00; A61F 13/14; A61F 13/15;
A61F 13/20; A61F 13/47; A61F 13/531;
A61F 7/00; A61F 7/02; A61F 7/08; A61F
7/10; A61F 7/086; A61F 7/103; A61F
2007/023; A61F 2007/105; A61F
2007/108; A61F 2007/0001; A61F
2007/0238; A61F 2007/0268; A61F
2007/0295; A61F 2007/0011; A61F
2007/0035; A61F 2007/0044; A61F
2007/0039; A61F 2007/0041; A61F
2007/0043; A61F 2007/0228; A61F

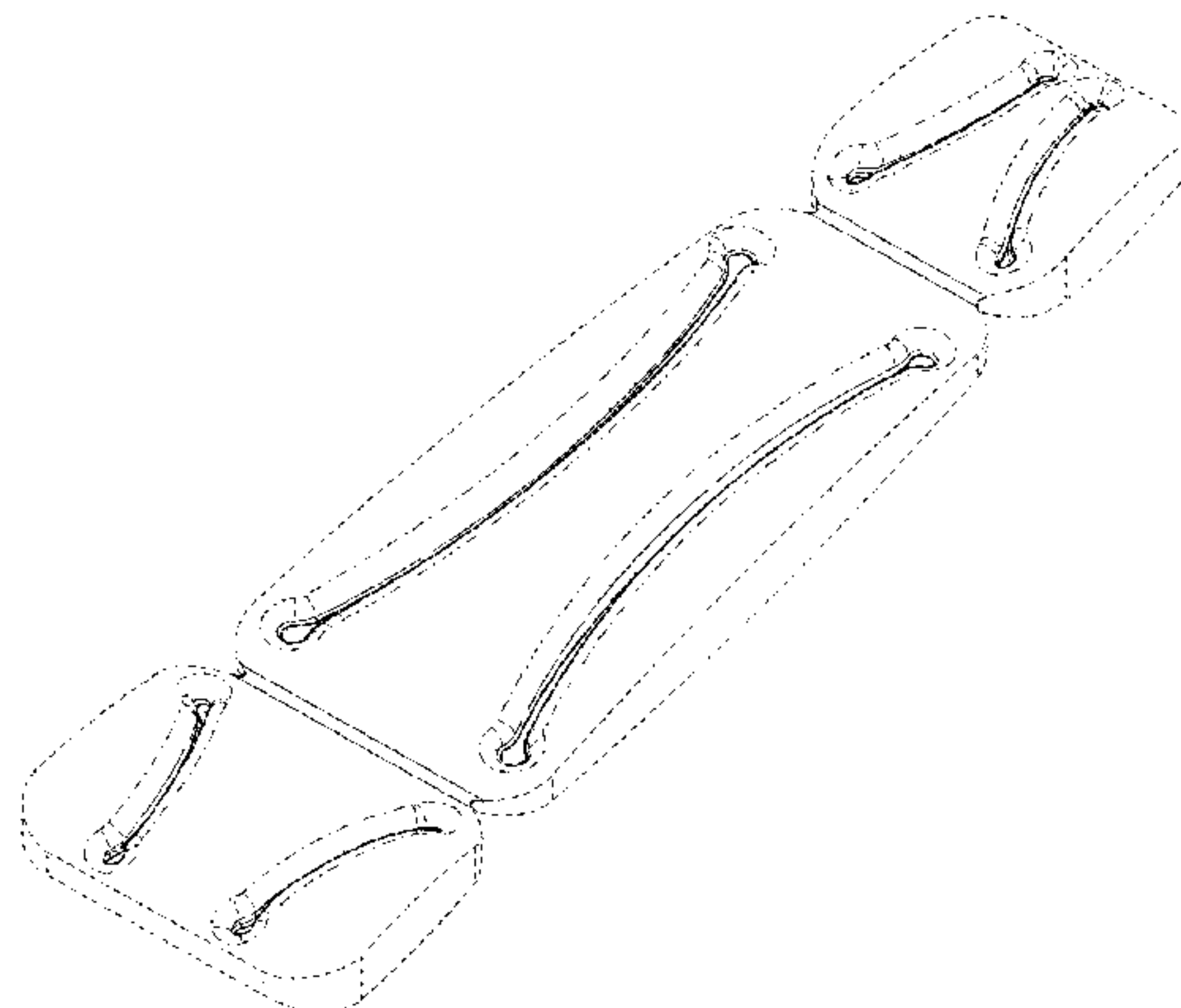
(57) **CLAIM**

The ornamental design for a medical pack, as shown and
described.

DESCRIPTION

FIG. 1 is a front perspective view of a medical pack;
FIG. 2 is a front elevational view of the medical pack;
FIG. 3 is a side elevational view of the medical pack;
FIG. 4 is a bottom elevational view of the medical pack; and,
FIG. 5 is a top elevational view of the medical pack.
The dot-dot-dash broken lines showing the outline of the
medical pack are included for the purpose of illustrating
environmental structure and form no part of the claimed
design.

1 Claim, 3 Drawing Sheets



(56)

References Cited

U.S. PATENT DOCUMENTS

D395,357 S 6/1998 Bader
 5,935,595 A 8/1999 Steen
 6,038,703 A 3/2000 Chung
 6,096,067 A 8/2000 Cramer et al.
 6,308,341 B1 10/2001 Shelton
 D459,000 S 6/2002 Smith et al.
 D460,257 S 7/2002 Williams et al.
 6,927,316 B1 8/2005 Faries, Jr. et al.
 D556,333 S 11/2007 Hoffman et al.
 7,744,640 B1 6/2010 Faries, Jr. et al.
 7,799,063 B2 9/2010 Ingram et al.
 7,928,279 B2 4/2011 Rosenberg
 D650,085 S 12/2011 Rucker et al.
 D656,235 S 3/2012 Howell
 D683,018 S 5/2013 Herivel et al.
 D685,484 S 7/2013 Brambilla
 8,535,364 B2 9/2013 Margolis et al.
 D696,408 S 12/2013 Chiang
 D706,430 S 6/2014 Strebeigh
 9,024,108 B2 5/2015 McManus
 D742,533 S 11/2015 Kang
 D749,207 S 2/2016 Hedbratt

D754,867 S 4/2016 Qin
 D805,648 S 12/2017 Baumwald
 D808,538 S * 1/2018 Li D24/207
 D812,236 S * 3/2018 Burke D24/190
 D812,763 S * 3/2018 Coles D24/190
 D816,237 S * 4/2018 Roberts D24/207
 D818,597 S * 5/2018 Worstman D24/207
 2002/0170116 A1 11/2002 Borders et al.
 2004/0102823 A1 5/2004 Schnoor
 2006/0224136 A1 10/2006 Martinez
 2010/0114053 A1 5/2010 Mandeville
 2012/0053546 A1 3/2012 Fogg et al.
 2013/0338742 A1 12/2013 Gallen et al.
 2015/0080827 A1 3/2015 Fogg
 2017/0049636 A1 2/2017 Hardie et al.

FOREIGN PATENT DOCUMENTS

CN 204133689 U 2/2015
 CN 204274793 U 4/2015
 DE 3036601 A1 4/1982
 EP 0947184 A1 10/1999
 WO 2014039806 A1 3/2014

* cited by examiner

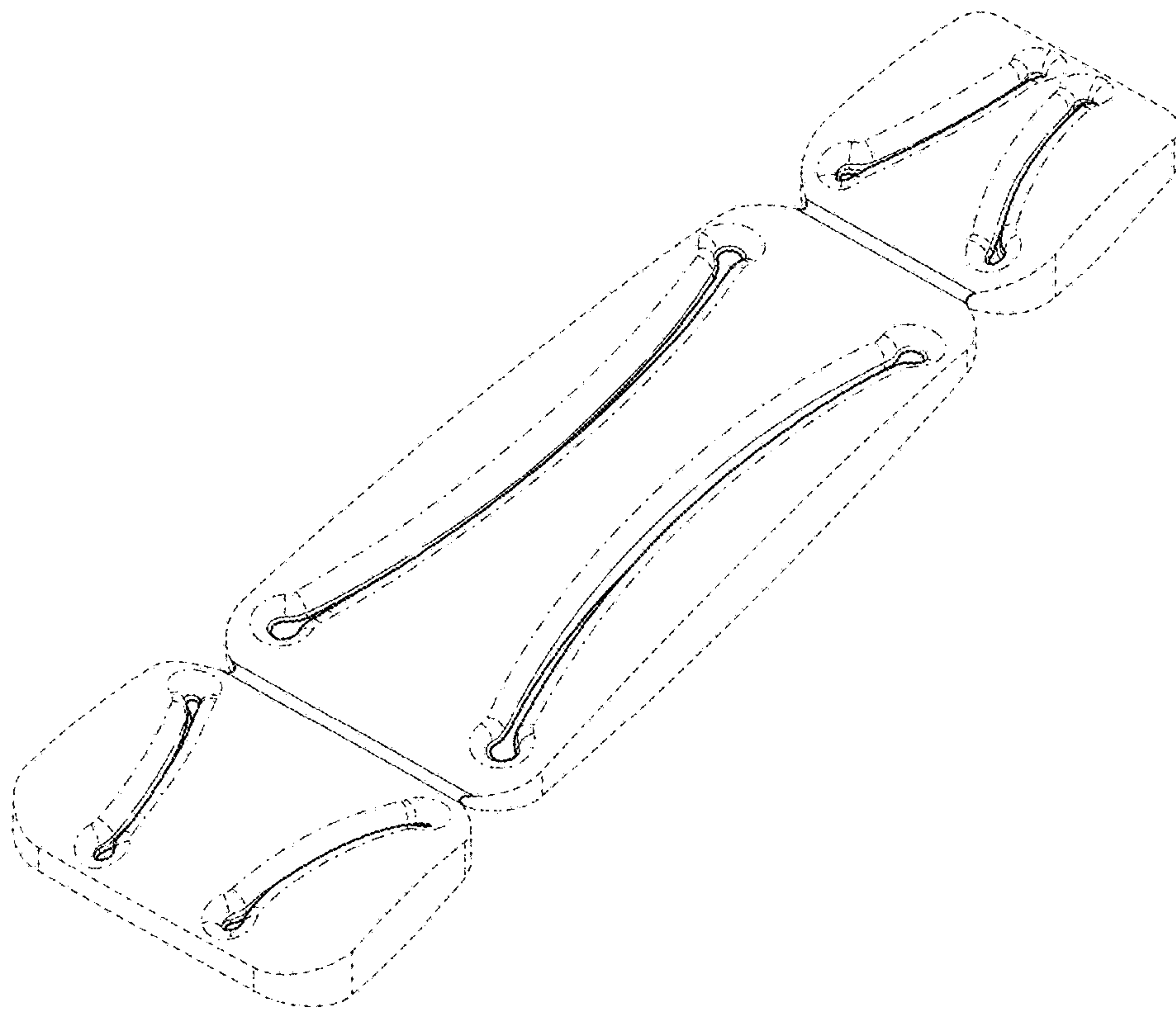


FIG. 1

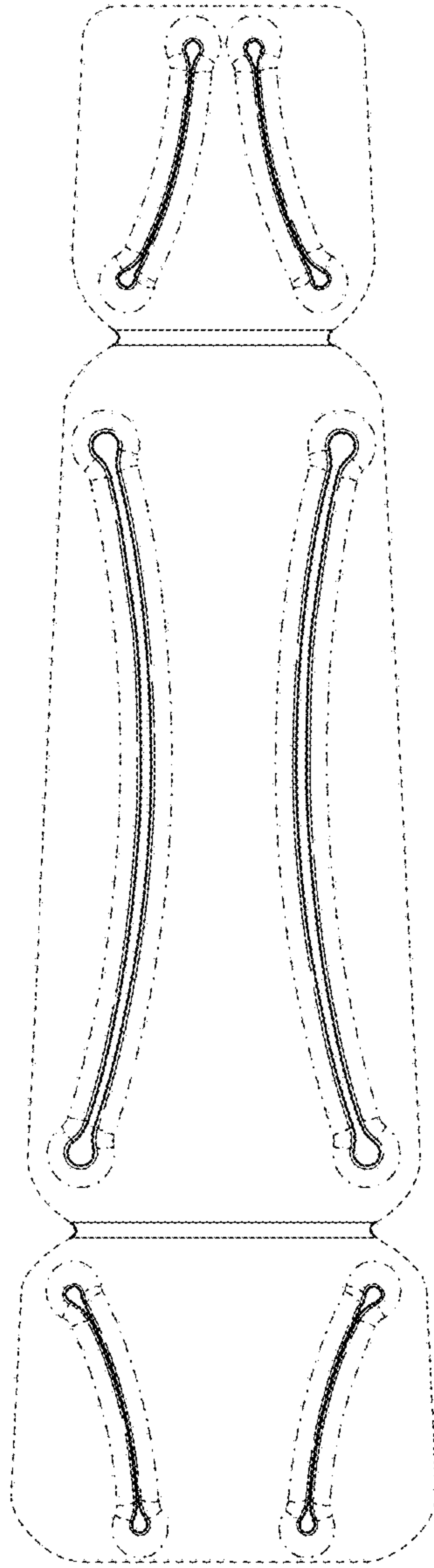


FIG. 2



FIG. 3

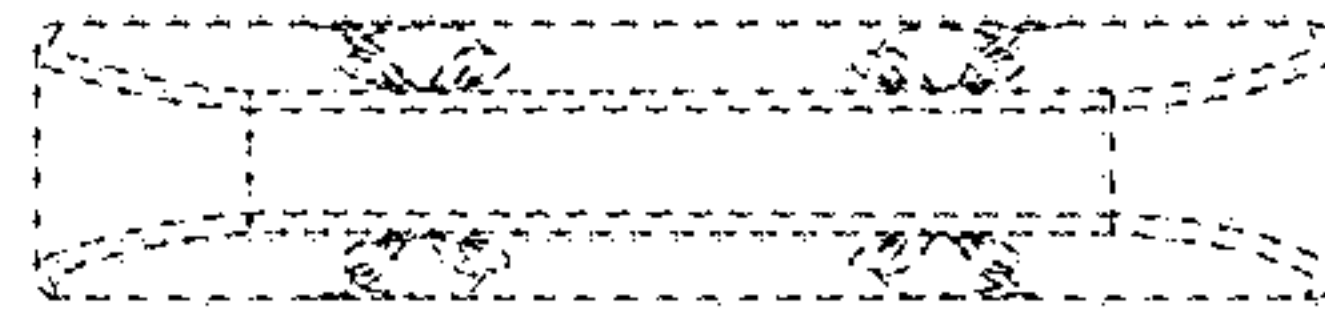


FIG. 4

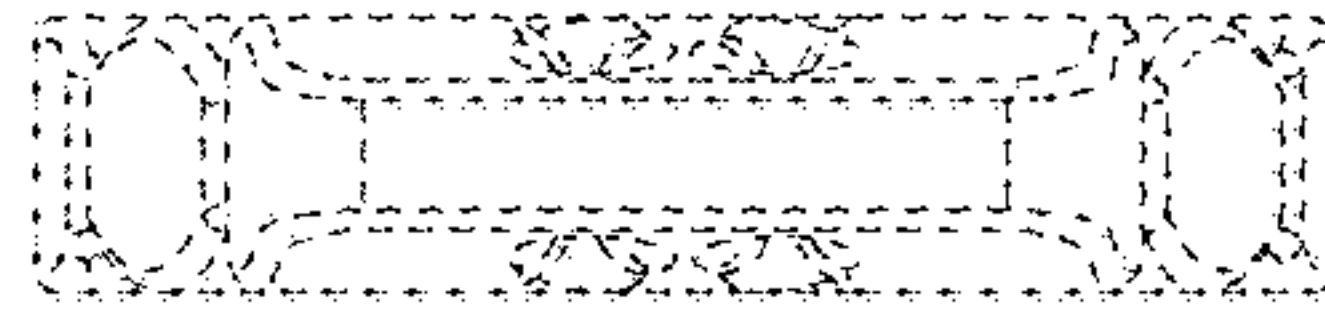


FIG. 5