



US00D864401S

(12) **United States Design Patent** (10) **Patent No.:** **US D864,401 S**
Valdivia Tor (45) **Date of Patent:** **** Oct. 22, 2019**

(54) **APPARATUS FOR ACUPRESSURE**

(71) Applicant: **Joaquín Valdivia Tor**, Girona (ES)

(72) Inventor: **Joaquín Valdivia Tor**, Girona (ES)

(**) Term: **15 Years**

(21) Appl. No.: **35/504,127**

(22) Filed: **Jun. 15, 2017**

(80) **Hague Agreement Data**

Int. Filing Date: **Jun. 15, 2017**

Int. Reg. No.: **DM/096986**

Int. Reg. Date: **Jun. 15, 2017**

Int. Reg. Pub. Date: **Dec. 15, 2017**

(51) **LOC (12) Cl.** **28-03**

(52) **U.S. Cl.**
USPC **D24/200**

(58) **Field of Classification Search**
USPC D24/200, 214, 176, 215, 209, 211, 212;
D14/426; 601/135, 120; 606/204
CPC A61H 7/003; A61H 15/0092; A61F 13/06
See application file for complete search history.

(56) **References Cited**

U.S. PATENT DOCUMENTS

- 4,479,495 A * 10/1984 Isaacson A61F 13/06
606/204
- 4,712,539 A * 12/1987 Kim A61H 15/0092
601/120
- D363,783 S * 10/1995 Malis D24/214
- D382,644 S * 8/1997 Chi D24/200
- D478,997 S * 8/2003 Viner D24/212
- 6,988,997 B2 * 1/2006 Stultz A61H 7/003
601/135
- D752,298 S * 3/2016 Stephens D24/200

- D759,258 S * 6/2016 Staab D24/211
- D765,870 S * 9/2016 Sedic D24/200
- D771,831 S * 11/2016 Barnard D24/215
- D780,933 S * 3/2017 Uchida D24/200
- D806,258 S * 12/2017 Sedic D24/200
- D808,034 S * 1/2018 Matsuura D24/215
- D819,221 S * 5/2018 Lei D24/200
- D820,263 S * 6/2018 Rebello D14/426
- D820,464 S * 6/2018 Gabriele D24/209
- D823,477 S * 7/2018 Yang D24/215
- D824,039 S * 7/2018 Hetzel D24/215
- D824,528 S * 7/2018 Yang D24/209
- D826,409 S * 8/2018 Silvonen D24/176
- D827,843 S * 9/2018 Bainton D24/200
- D828,925 S * 9/2018 Levi D24/214
- D829,921 S * 10/2018 Xiong D24/214
- D831,835 S * 10/2018 Cole D24/200

* cited by examiner

Primary Examiner — Rhea Shields

(74) *Attorney, Agent, or Firm* — Ostrolenk Faber LLP

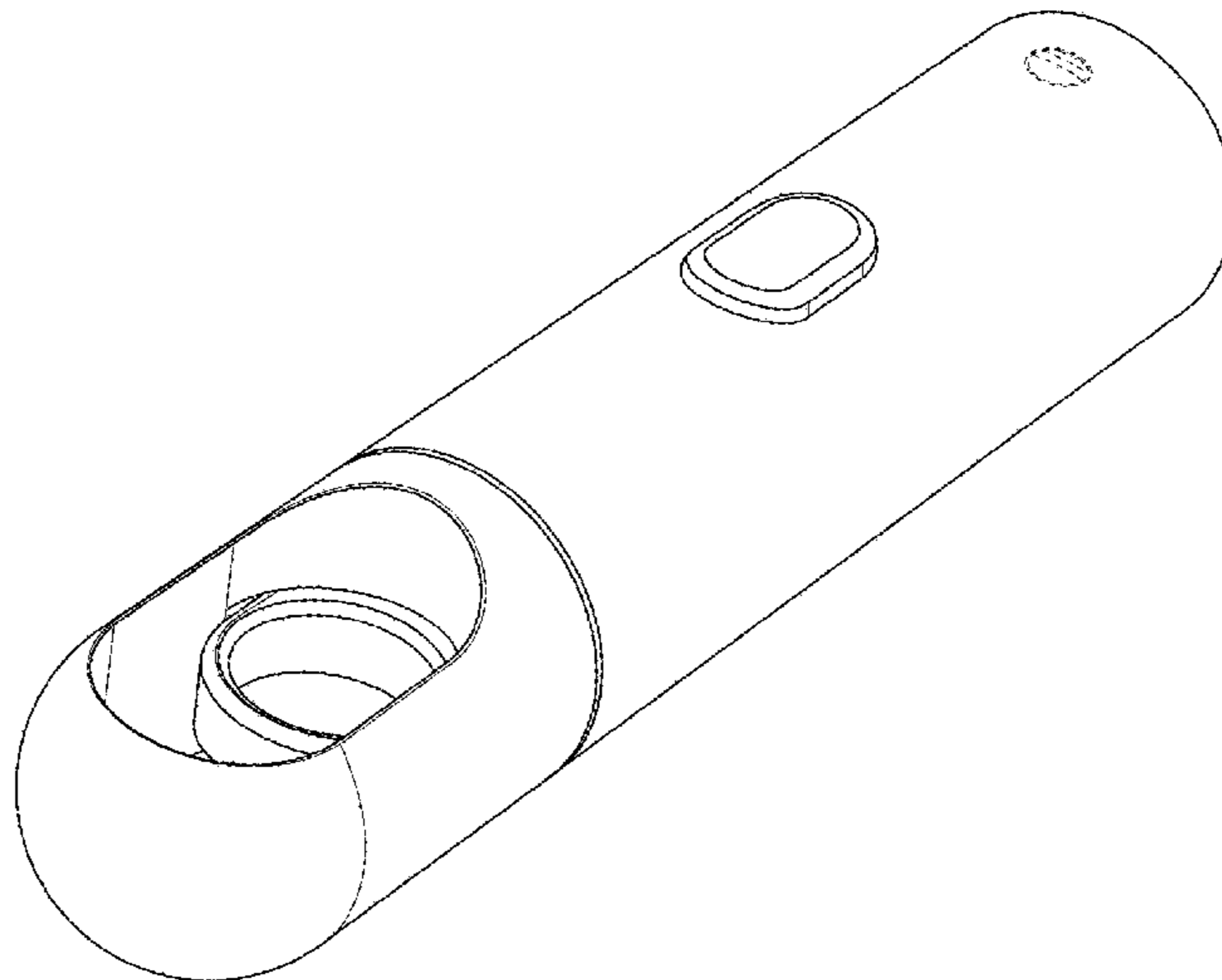
(57) **CLAIM**

The ornamental design for an apparatus for acupressure, as shown and described.

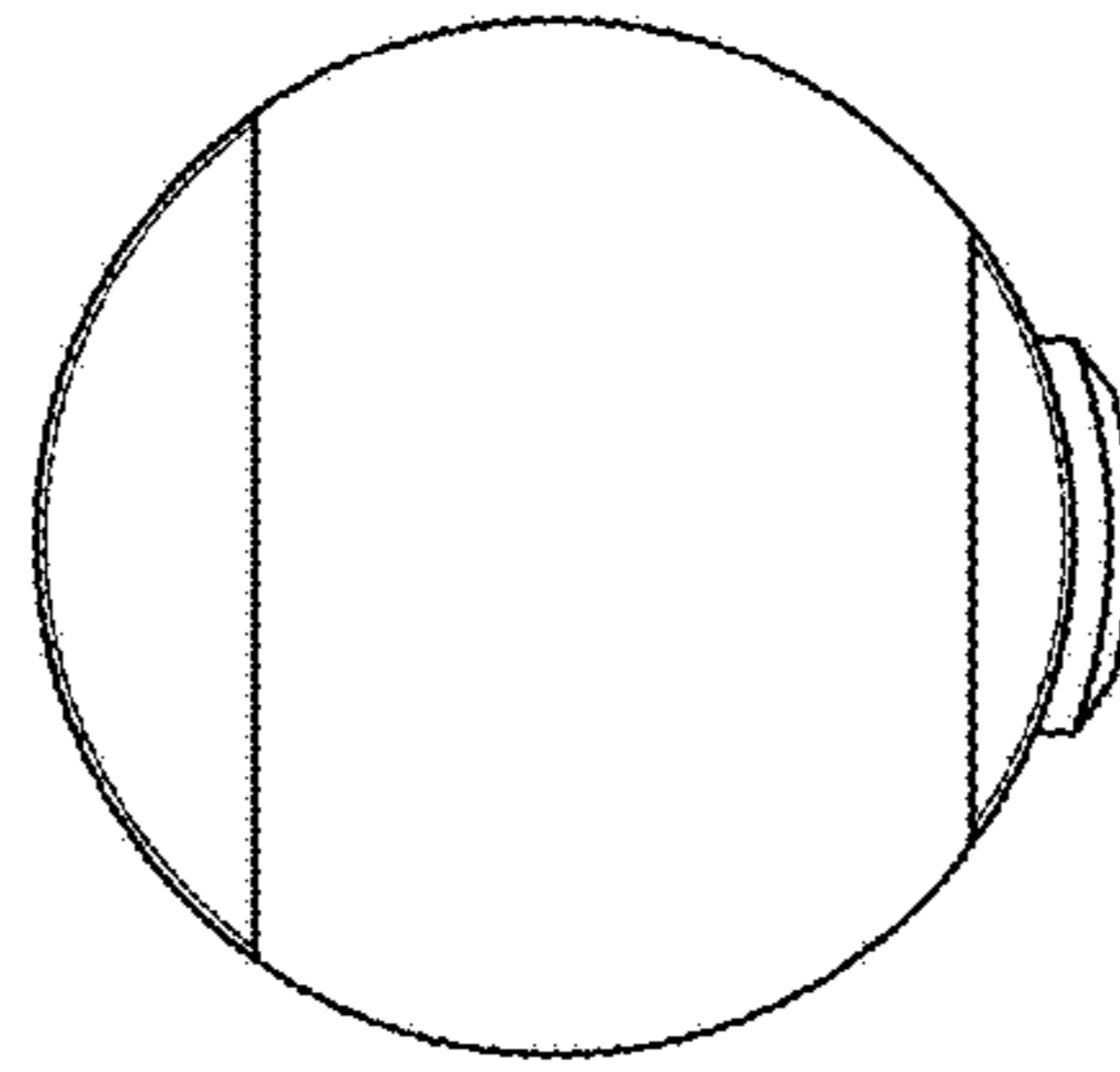
DESCRIPTION

1. Apparatus for acupressure
1.1 is a front view;
1.2 is a rear view;
1.3 is a top, rear and left side perspective view;
1.4 is a right side view;
1.5 is a bottom view;
1.6 is a top, right side perspective view;
1.7 is a front, top right side perspective view; and
1.8 is a top view thereof.
 In the reproductions, the broken lines are for the purpose of illustrating environment only and form no part of the claimed design.

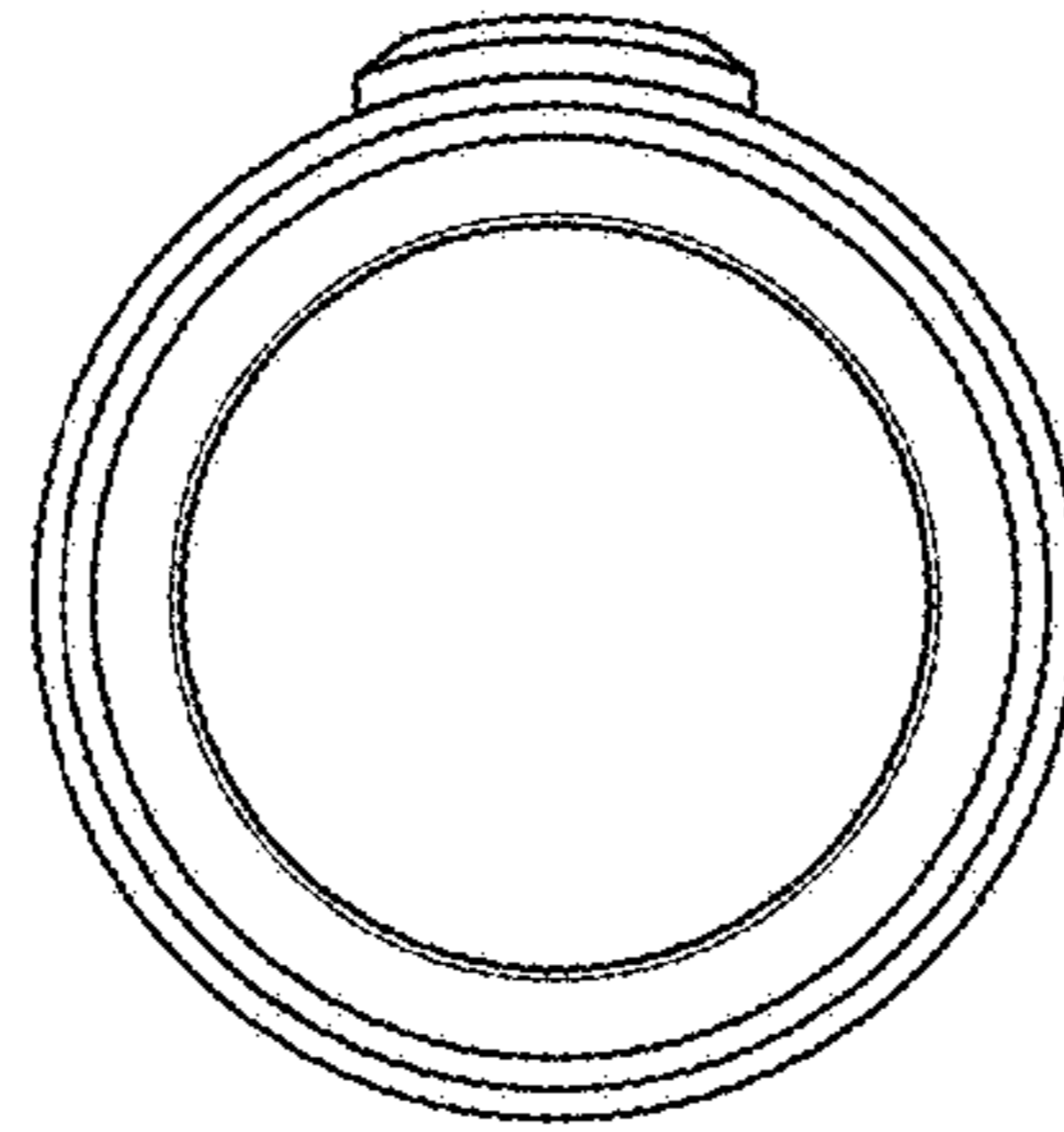
1 Claim, 8 Drawing Sheets



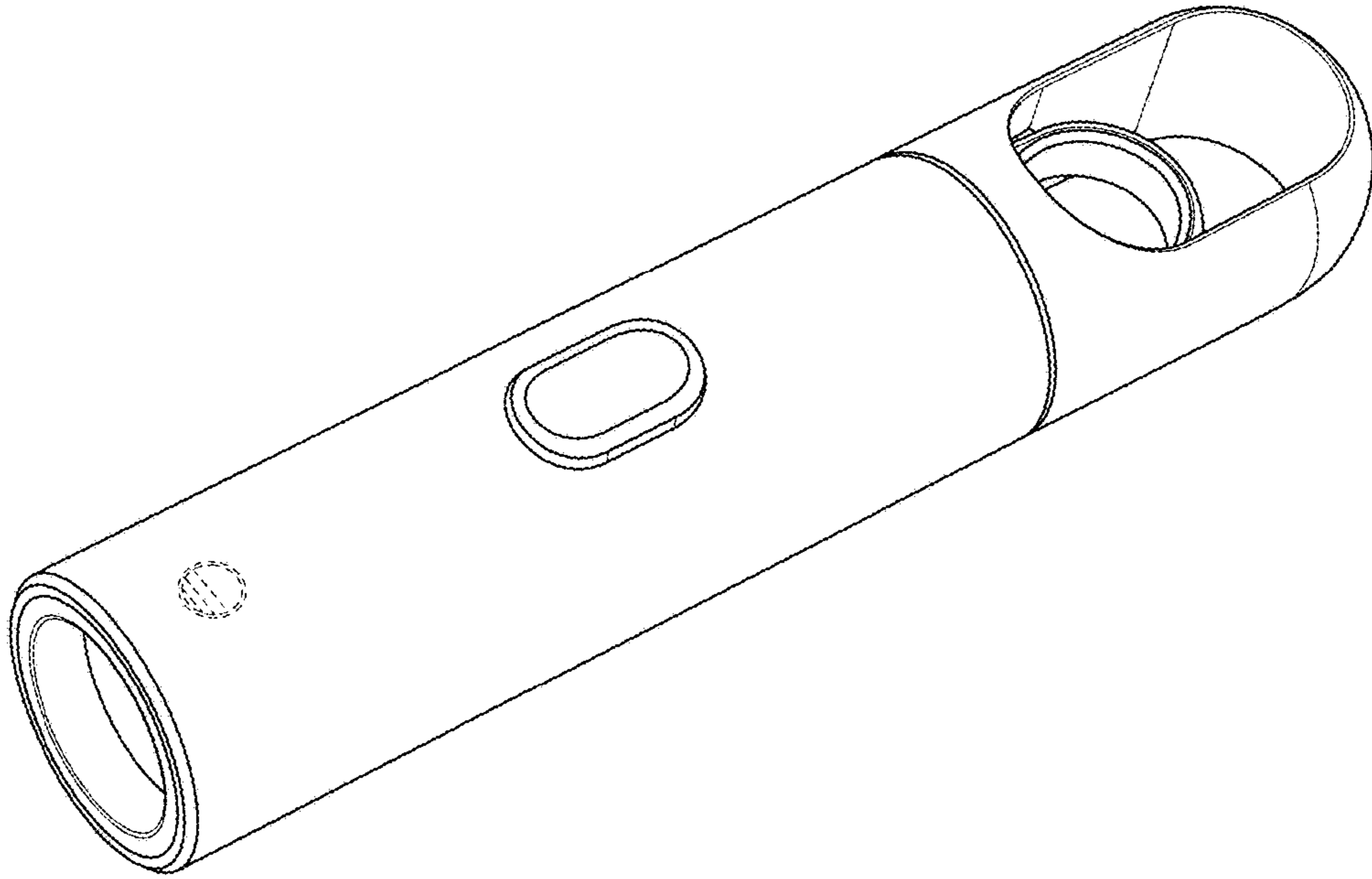
1.1



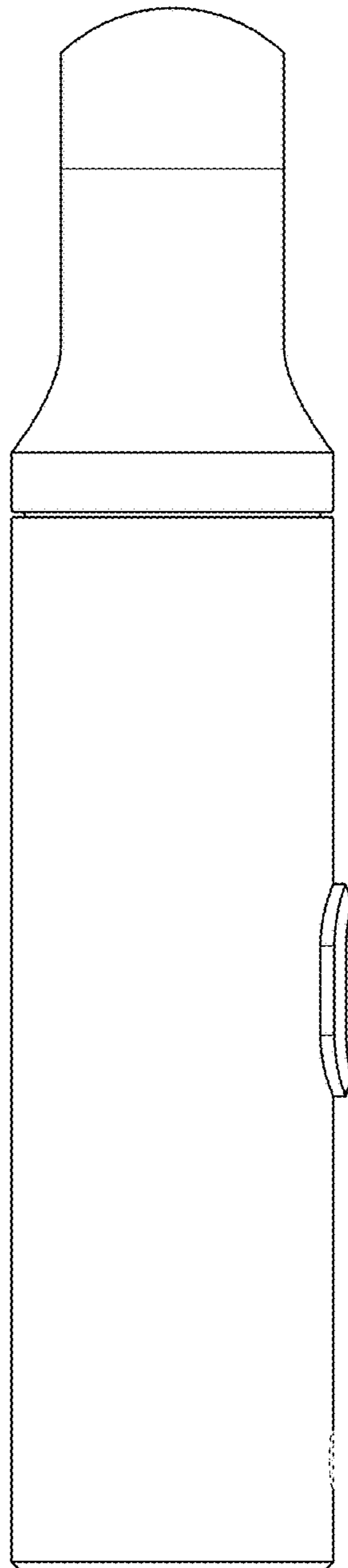
1.2

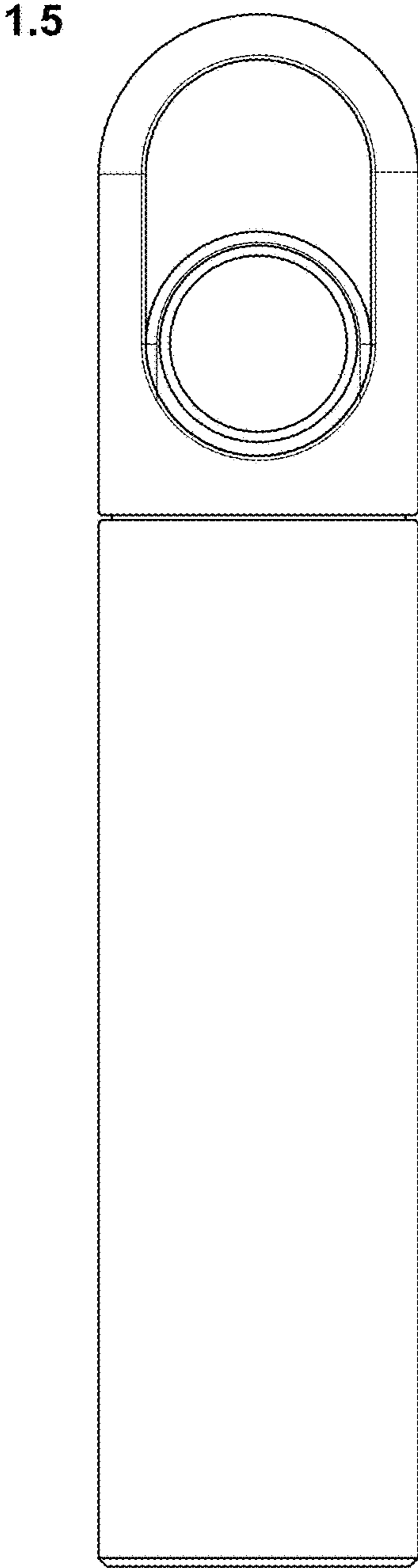


1.3

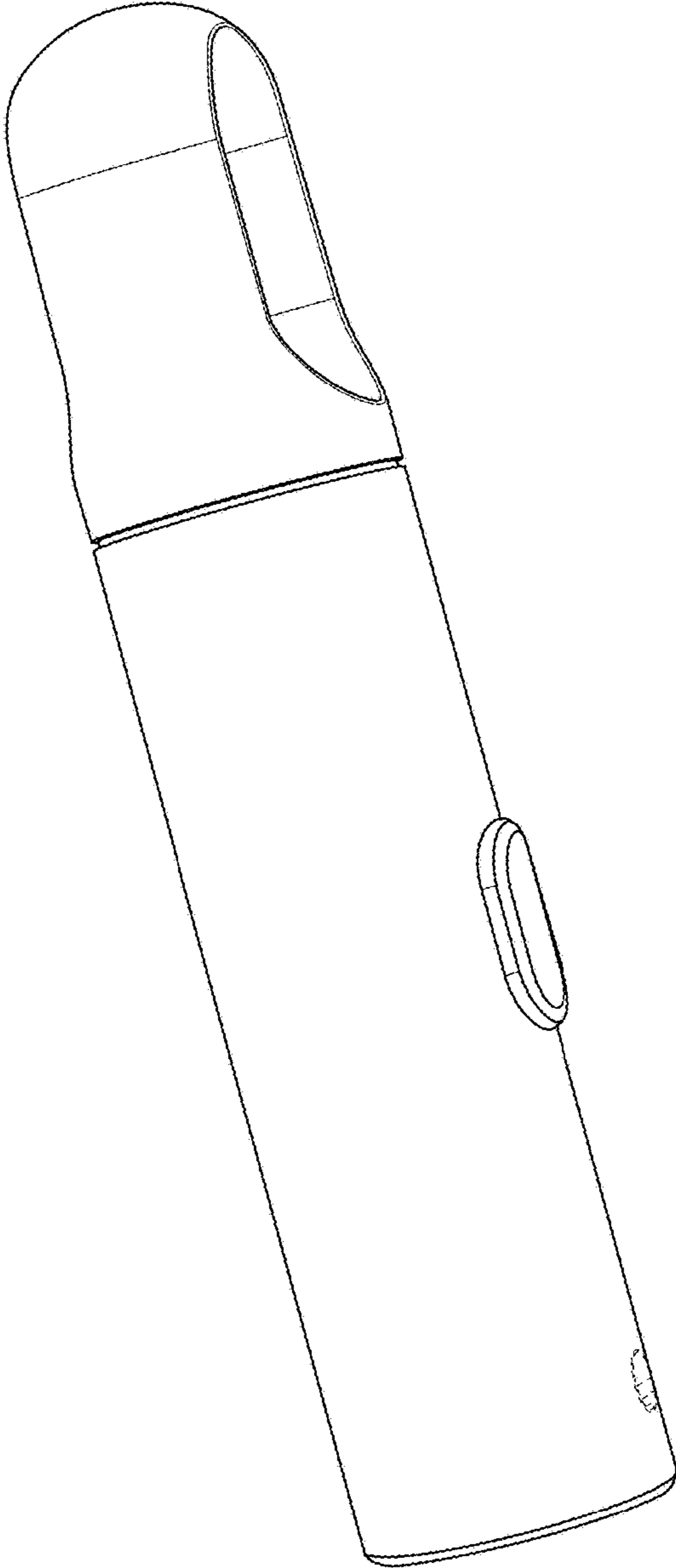


1.4

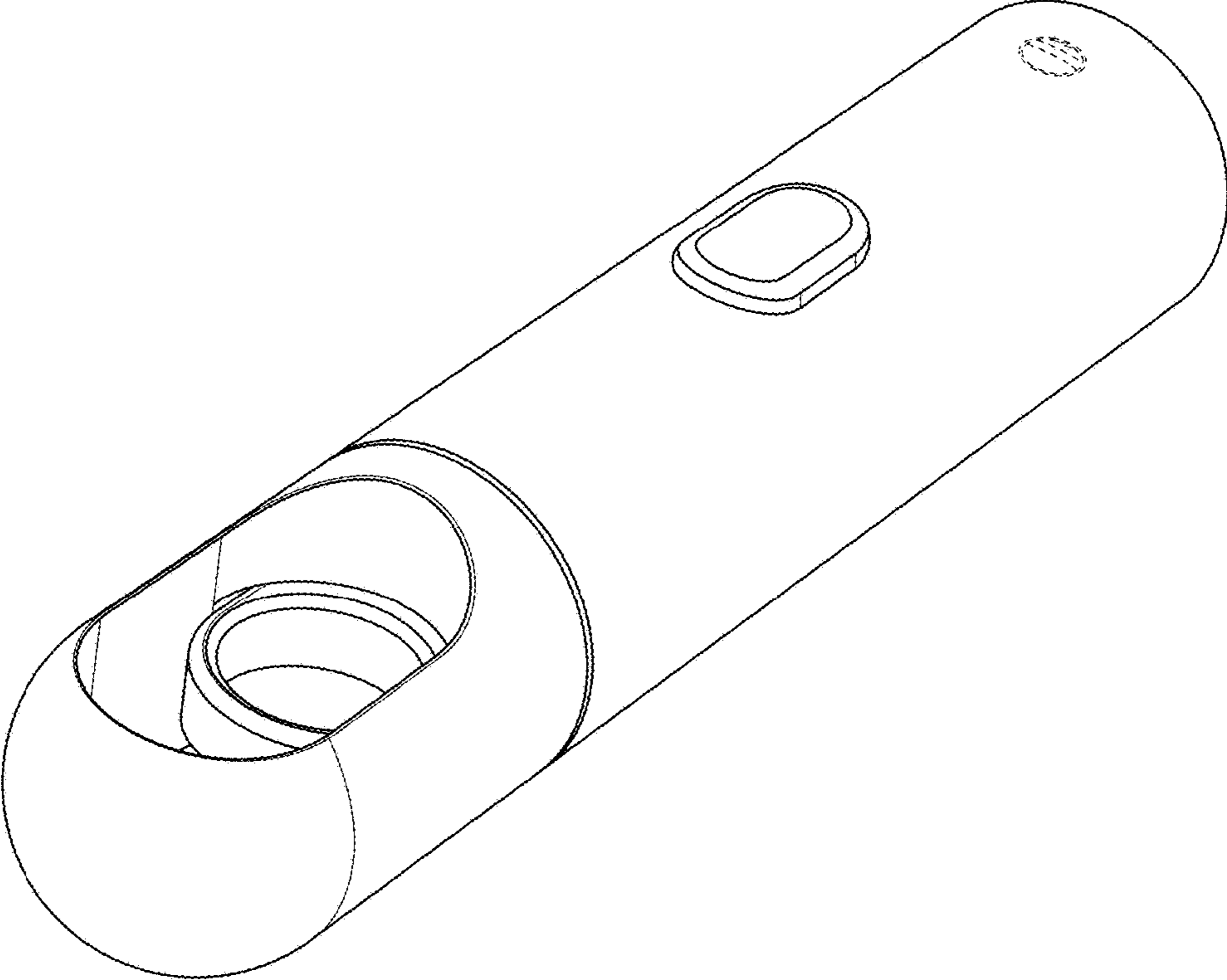




1.6



1.7



1.8

