

US00D864400S

(12) **United States Design Patent** (10) **Patent No.:** **US D864,400 S**
Benedikter (45) **Date of Patent:** **** Oct. 22, 2019**

(54) **FETAL AND MATERIAL SENSOR**
(71) Applicant: **KONINKLIJKE PHILIPS N.V.**,
Eindhoven (NL)
(72) Inventor: **Fabian Benedikter**, Sindelfingen (DE)
(73) Assignee: **KONINKLIJKE PHILIPS N.V.**,
Eindhoven (NL)
(**) Term: **15 Years**
(21) Appl. No.: **29/688,434**
(22) Filed: **Apr. 22, 2019**

(56) **References Cited**
U.S. PATENT DOCUMENTS
D319,031 S * 8/1991 Levinson D10/106.1
D631,552 S * 1/2011 Kasabach D24/186
D687,152 S * 7/2013 Tilk D24/187
D693,248 S * 11/2013 Anderssen D10/65
D715,667 S * 10/2014 Shigeno D10/70
D717,680 S * 11/2014 Park D10/70
D718,458 S * 11/2014 Vosch D24/187
D732,673 S * 6/2015 Lewis, Jr. D24/187
D733,596 S * 7/2015 Goodner D10/70
D736,935 S * 8/2015 Just D24/187
D749,570 S * 2/2016 Lee D14/344
D761,138 S * 7/2016 Manabe D10/65
D778,185 S * 2/2017 Ookawa D10/104.1
D790,996 S * 7/2017 Farley D10/104.2
D800,321 S * 10/2017 Roche D24/187
D821,595 S * 6/2018 Ito D24/200
D846,748 S * 4/2019 Benedikter D24/186

* cited by examiner

Primary Examiner — Robert M. Spear

(57) **CLAIM**

The ornamental design for a fetal and maternal sensor, as shown.

DESCRIPTION

FIG. 1 is a perspective view showing my design;
FIG. 2 is a front elevational view thereof;
FIG. 3 is a rear elevational view thereof;
FIG. 4 is a right side elevational view thereof;
FIG. 5 is a left side elevational view thereof;
FIG. 6 is a top plan view thereof; and,
FIG. 7 is a bottom plan view thereof.

1 Claim, 4 Drawing Sheets

Related U.S. Application Data

(63) Continuation of application No. 35/503,895, filed on May 3, 2017 (U.S. filing date under 35 U.S.C. 384), and having an international filing date of May 3, 2017, now Pat. No. Des. 846,748.

Foreign Application Priority Data

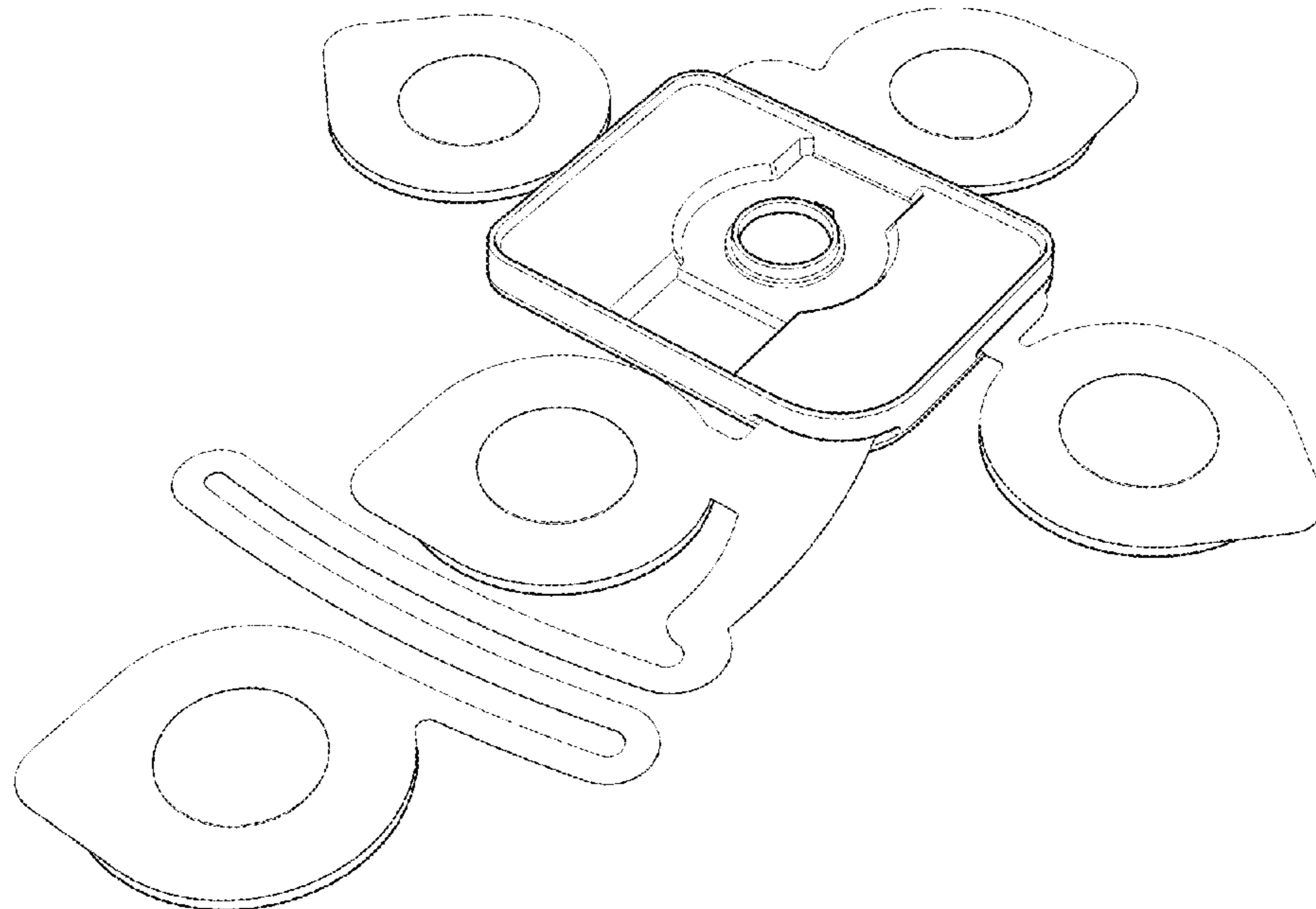
May 3, 2017 (EP) 003482017-0002

(51) **LOC (12) Cl.** **24-01**

(52) **U.S. Cl.**
USPC **D24/186**

(58) **Field of Classification Search**
USPC D24/129, 168, 186, 187; D14/372, 205
CPC ... A61B 5/6803; A61B 5/0002; A61B 5/0006;
A61B 5/0011

See application file for complete search history.



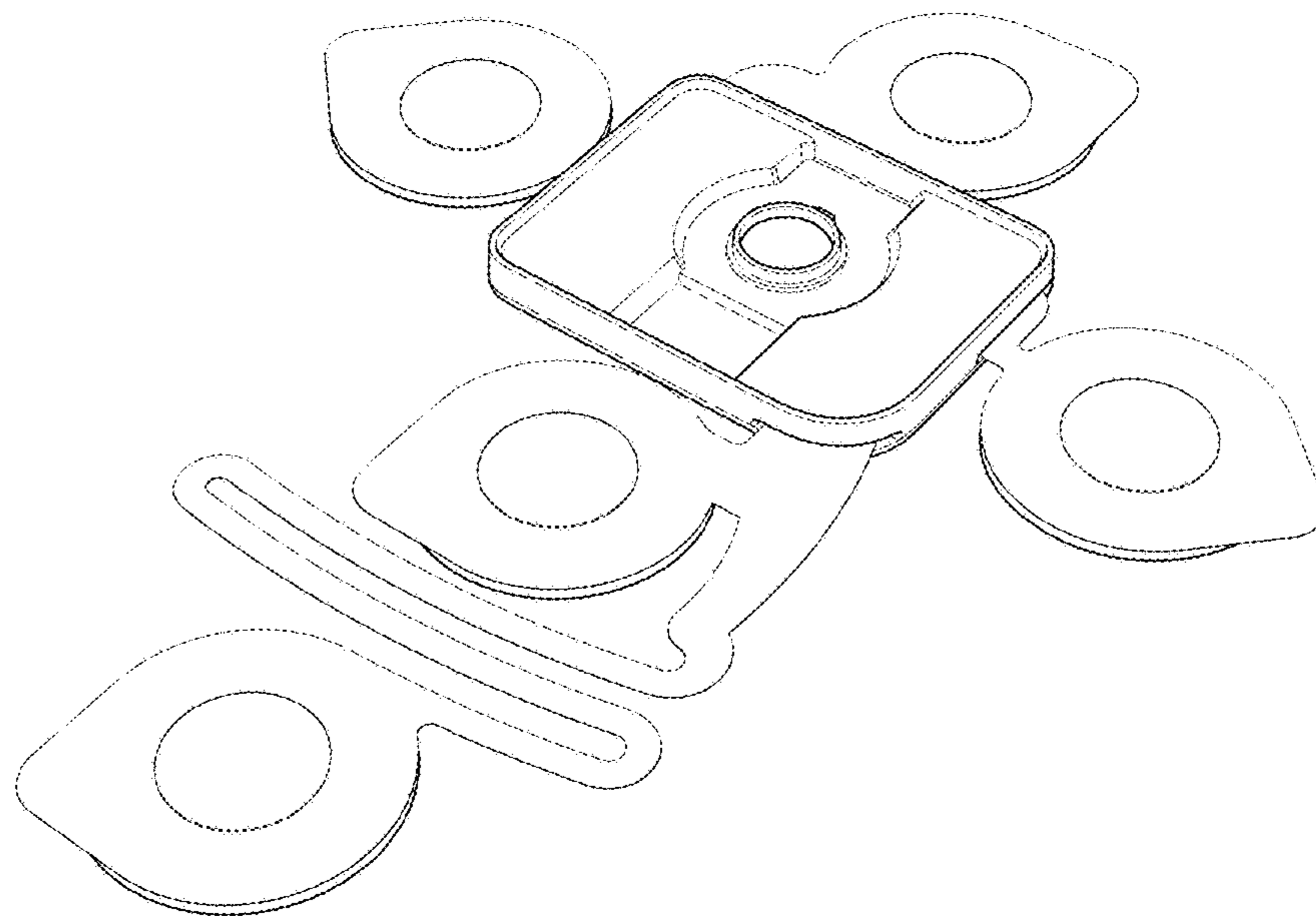


FIG. 1

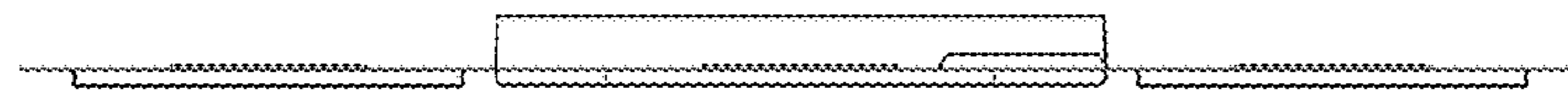


FIG. 2

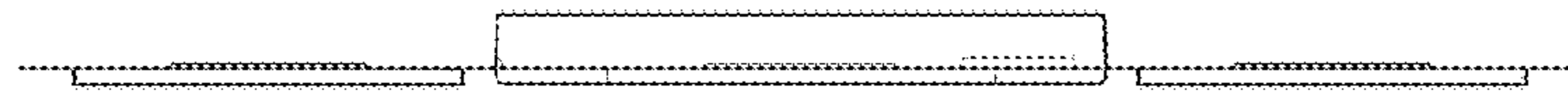


FIG. 3

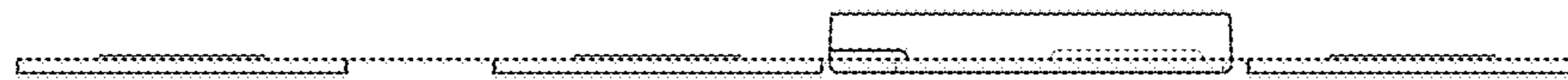


FIG. 4



FIG. 5

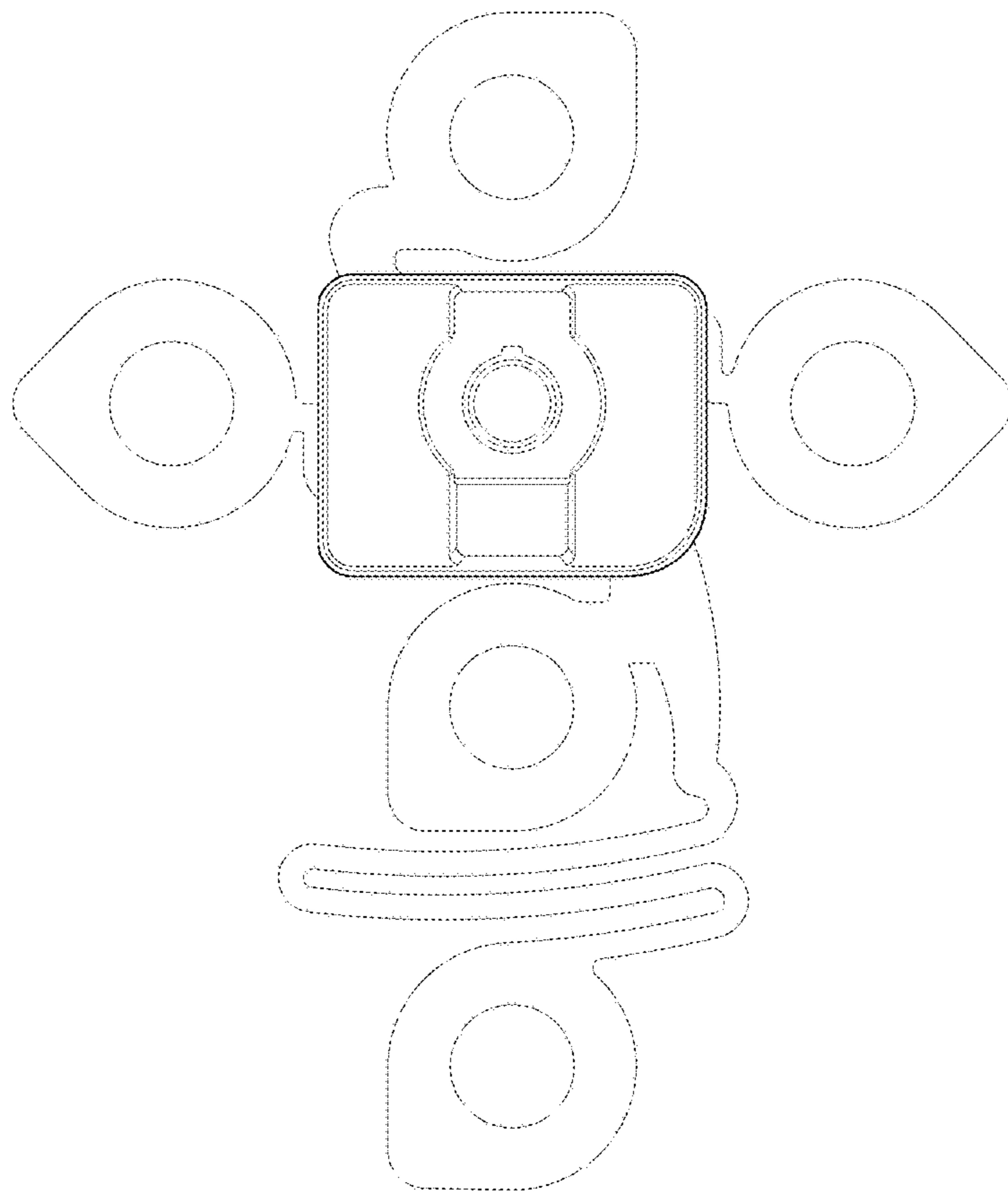


FIG. 6

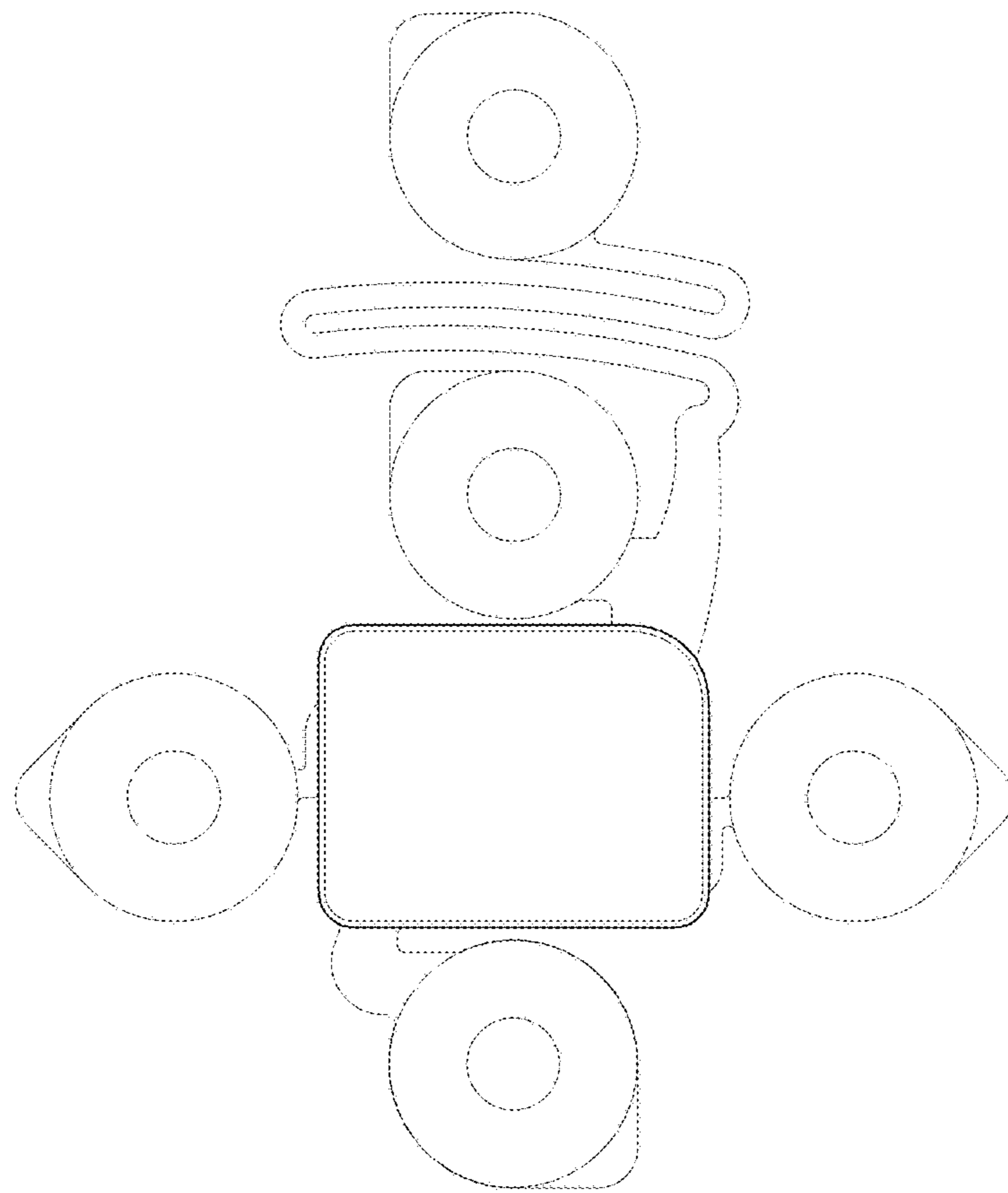


FIG. 7