



US00D864399S

(12) **United States Design Patent**
Qin et al.

(10) **Patent No.:** **US D864,399 S**

(45) **Date of Patent:** **** Oct. 22, 2019**

(54) **TEETH-WHITENING EQUIPMENT**

(71) Applicant: **Nanchang Dentalbright Technology Co., Ltd, Nanchang (CN)**

(72) Inventors: **Junyuan Qin, Nanchang (CN); Yuanda Xiong, Nanchang (CN)**

(73) Assignee: **Nanchang Dentalbright Technology Co., Ltd, Nanchang (CN)**

(**) Term: **15 Years**

(21) Appl. No.: **29/692,989**

(22) Filed: **May 30, 2019**

(51) **LOC (12) Cl.** **24-02**

(52) **U.S. Cl.**

USPC **D24/176; D24/181**

(58) **Field of Classification Search**

USPC **D24/176-182, 108; D29/108; 433/215, 433/217.1**

CPC **A61C 19/06; A61C 19/063; A61C 19/066; A61N 5/06; A61N 5/0603; A61N 5/0613; A61N 2005/0606**

See application file for complete search history.

(56) **References Cited**

U.S. PATENT DOCUMENTS

- D438,622 S 3/2001 Chang
- D543,280 S 5/2007 Khubani
- 8,940,033 B2* 1/2015 Dwyer A61C 19/066
362/249.02
- D795,439 S * 8/2017 Mounce D24/181
- D795,440 S * 8/2017 Way D24/181
- D802,771 S 11/2017 Schmid et al.
- 9,901,744 B2* 2/2018 Demarest A61N 5/0603

- D849,956 S * 5/2019 Demarest D24/176
- 2003/0194383 A1* 10/2003 Gentile A61C 19/063
424/53
- 2006/0019214 A1* 1/2006 Lawrence A61C 19/06
433/29
- 2013/0052613 A1* 2/2013 Chetiar A61C 19/066
433/216
- 2015/0132709 A1* 5/2015 Park A61N 5/0603
433/29
- 2017/0173358 A1* 6/2017 Demarest A61N 5/0603
- 2018/0125627 A1* 5/2018 Mounce A61C 19/066

FOREIGN PATENT DOCUMENTS

- EM 006530259-0001 * 5/2019
- GB 6024823 * 1/2018

* cited by examiner

Primary Examiner — Wan Laymon

(57) **CLAIM**

The ornamental design for a teeth-whitening equipment, as shown and described.

DESCRIPTION

FIG. 1 is a perspective view of a teeth-whitening equipment showing my design;

FIG. 2 is a front view thereof;

FIG. 3 is a back view thereof;

FIG. 4 is a left side view thereof;

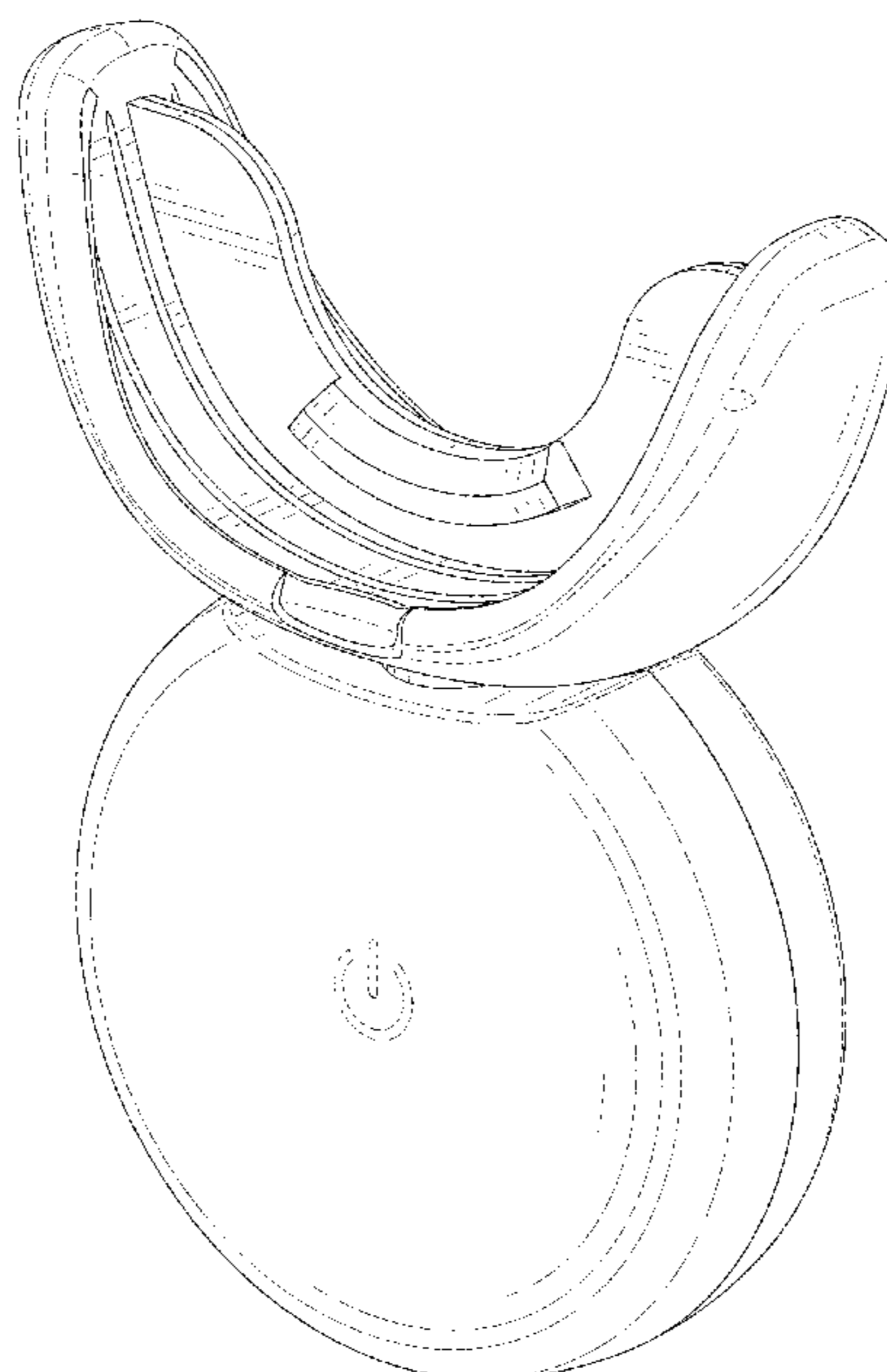
FIG. 5 is a right side view thereof;

FIG. 6 is a top view thereof; and,

FIG. 7 is a bottom view thereof.

The broken lines shown in the drawings depict portions of the teeth-whitening equipment in which the design is embodied that form no part of the claimed design.

1 Claim, 7 Drawing Sheets



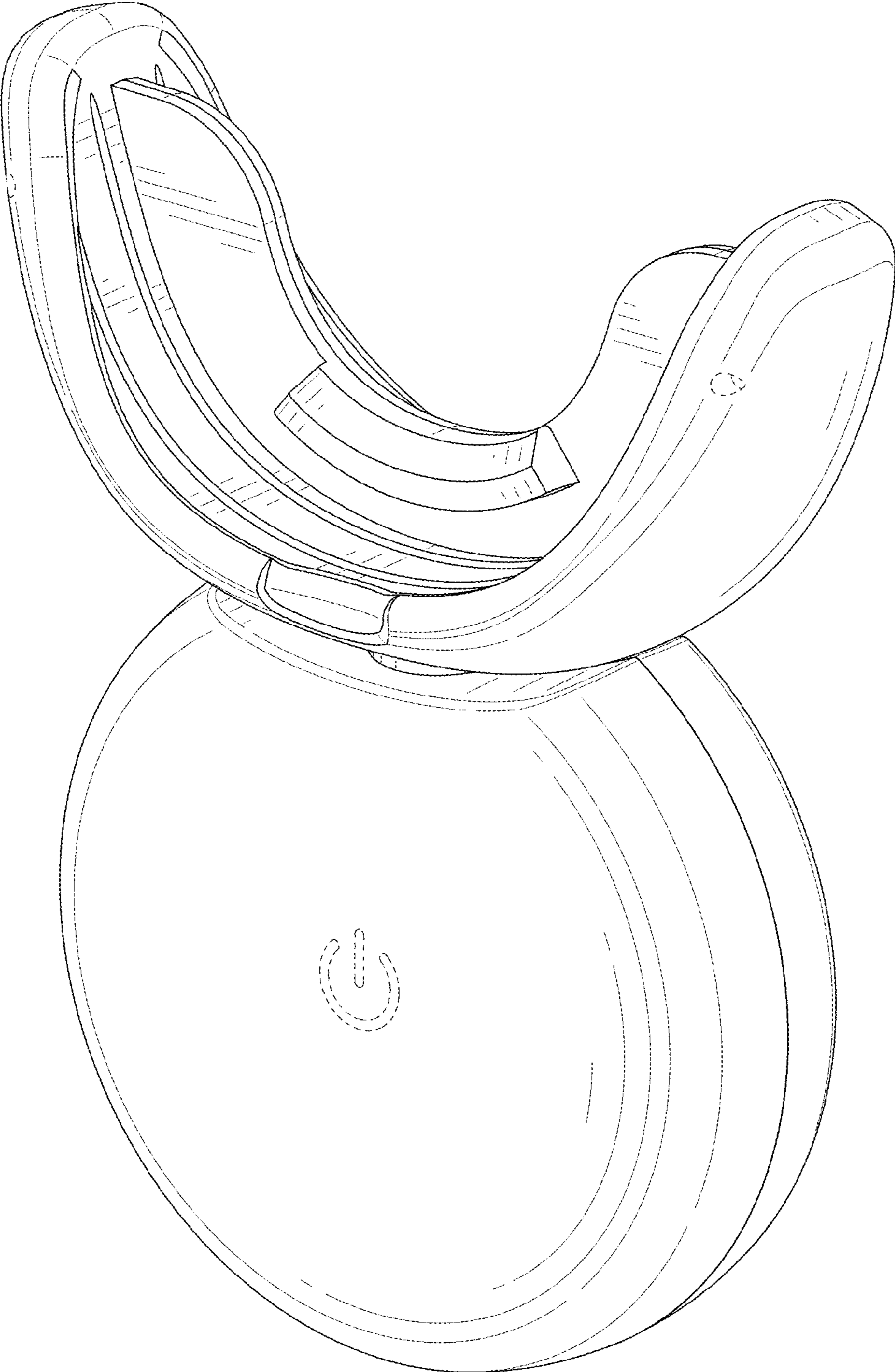


FIG. 1

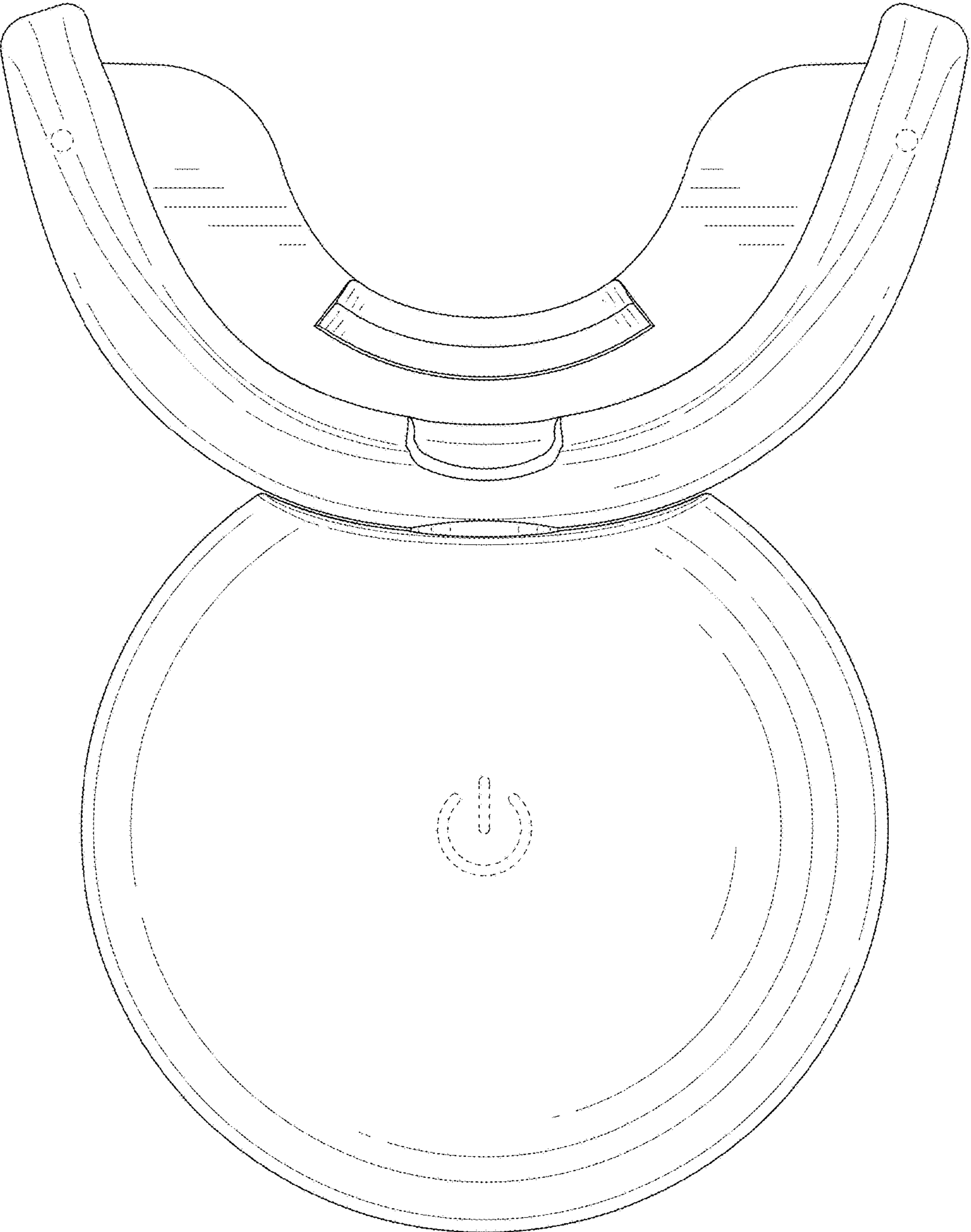


FIG. 2

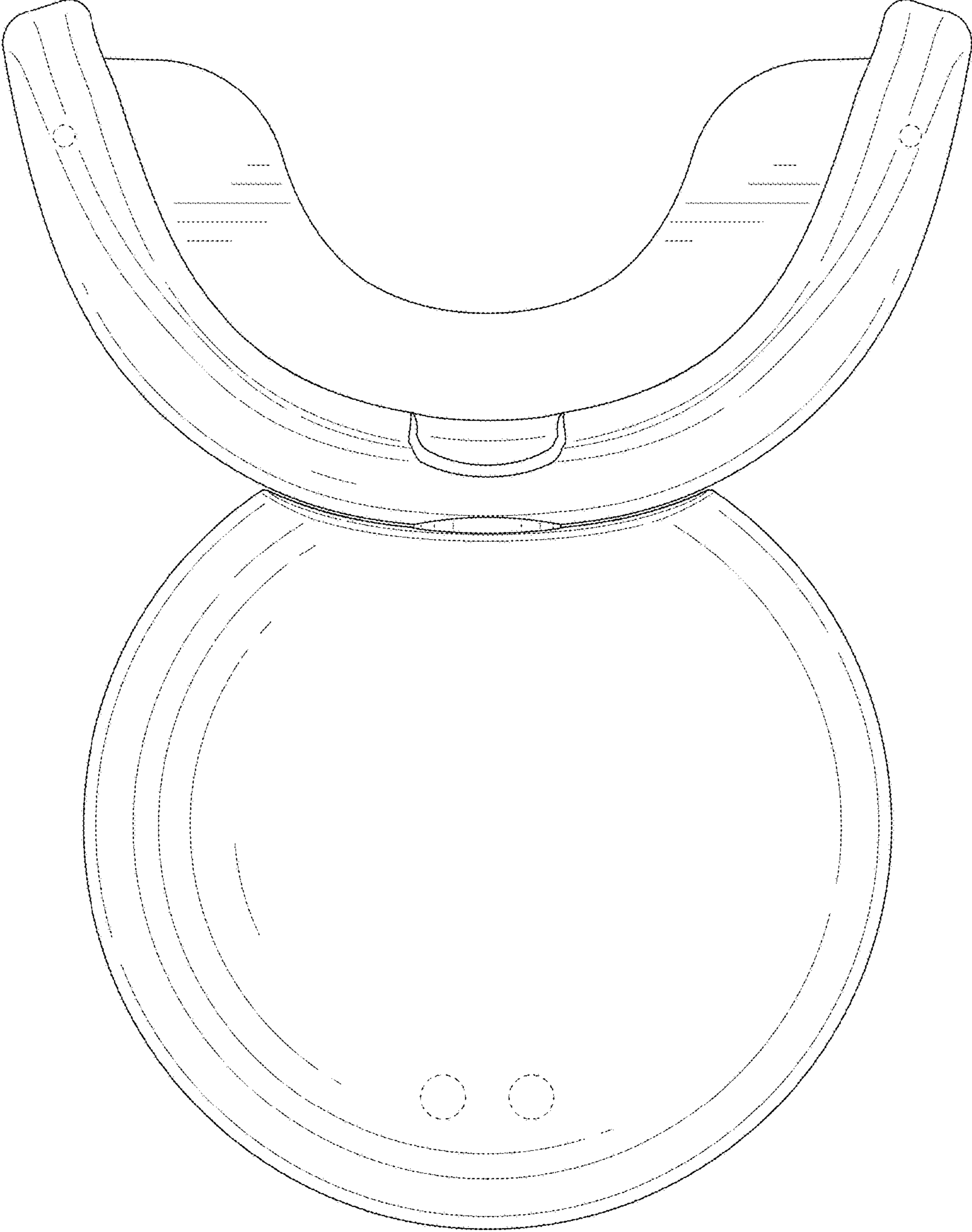


FIG. 3

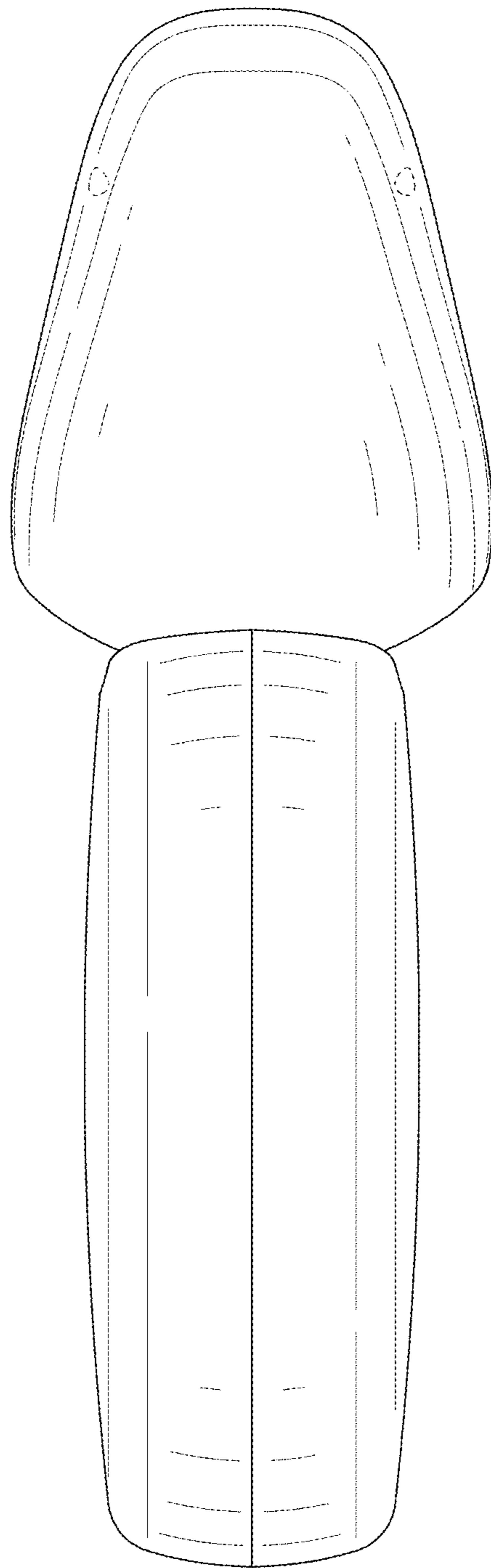


FIG. 4

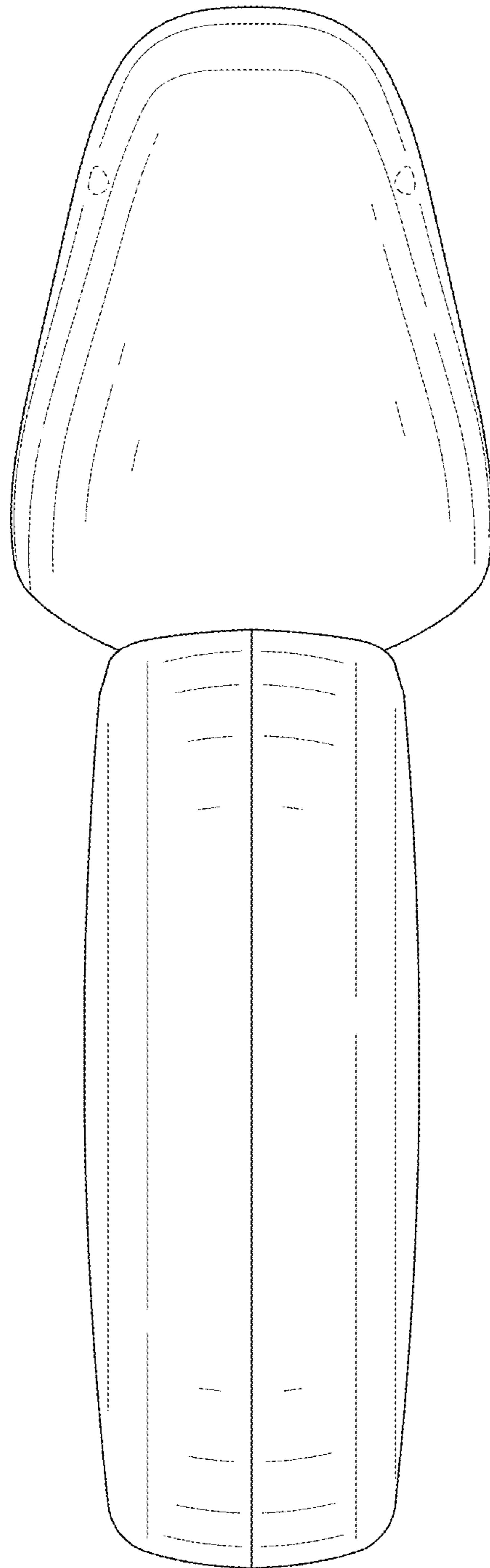


FIG. 5

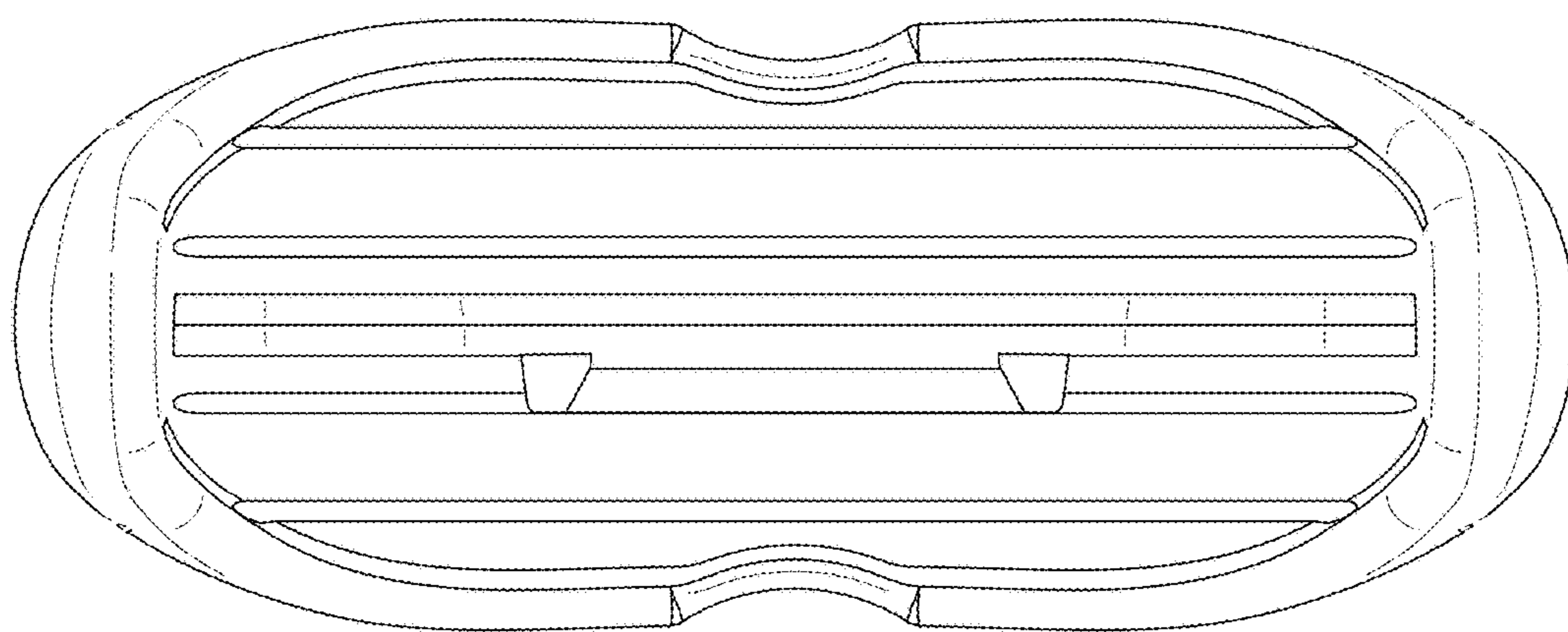


FIG. 6

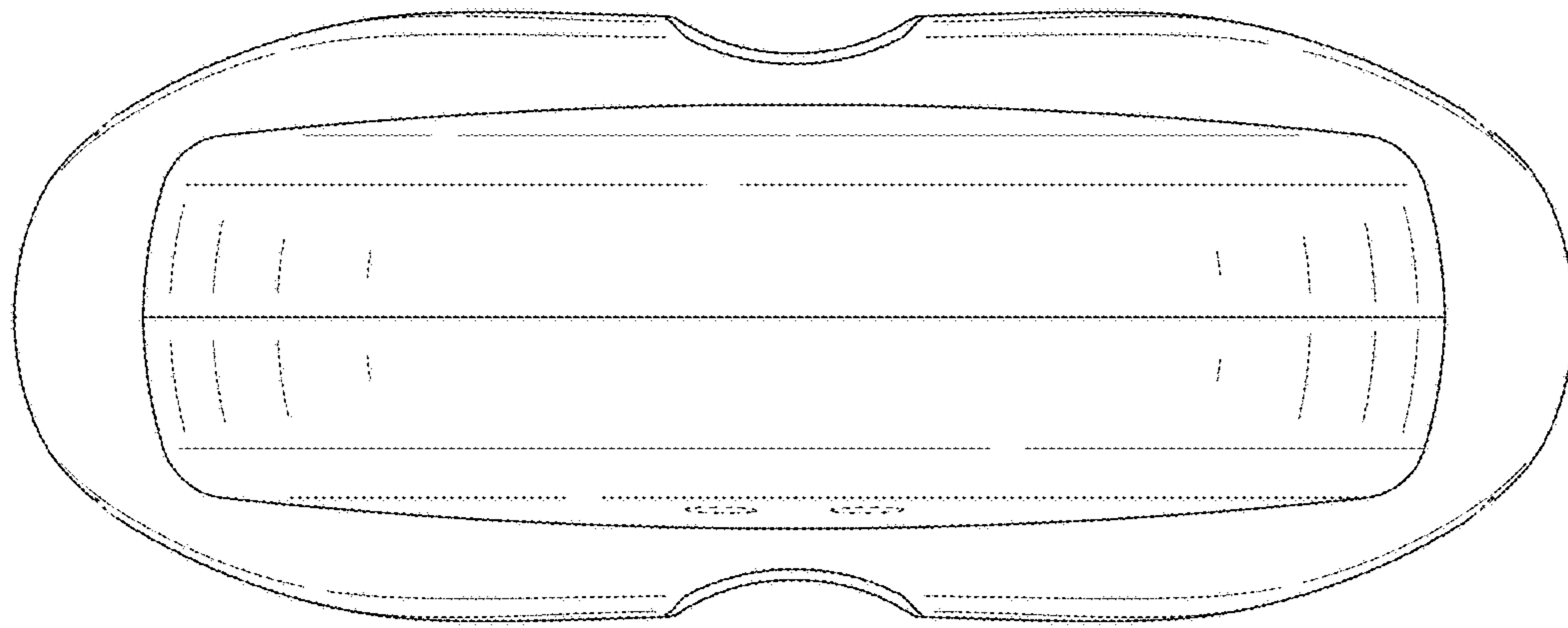


FIG. 7