



US00D864397S

(12) **United States Design Patent** (10) **Patent No.:** **US D864,397 S**
Dong et al. (45) **Date of Patent:** **** Oct. 22, 2019**

(54) **BLOOD PERFUSION APPARATUS**

FOREIGN PATENT DOCUMENTS

(71) Applicant: **JAFRON BIOMEDICAL CO., LTD.**,
Zhuhai (CN)

CN 201430259226 * 4/2015

Primary Examiner — Anhdao Doan

(72) Inventors: **Fan Dong**, Zhuhai (CN); **Jiwei Cai**,
Zhuhai (CN)

(74) *Attorney, Agent, or Firm* — Gokalp Bayramoglu

(73) Assignee: **JAFRON BIOMEDICAL CO., LTD.**,
Zhuhai (CN)

(57) **CLAIM**

The ornamental design for a a blood perfusion apparatus, as shown and described.

(**) Term: **15 Years**

DESCRIPTION

(21) Appl. No.: **29/621,997**

FIG. 1 is a front view of a blood perfusion apparatus showing our new design;

(22) Filed: **Oct. 13, 2017**

FIG. 2 is a rear view thereof;

(51) **LOC (12) Cl.** **24-01**

FIG. 3 is a left side view thereof;

(52) **U.S. Cl.**

FIG. 4 is a right side view thereof;

USPC **D24/169**

FIG. 5 is a top view thereof;

(58) **Field of Classification Search**

USPC D24/164–169, 186, 107, 216, 129, 162,
D24/224, 231; D10/81; D23/207, 209

FIG. 6 is a bottom view thereof;

CPC A61M 1/16; A61M 1/1601; A61M 1/1621;
A61M 1/1654; A61M 1/36; A61M

FIG. 7 is a perspective view thereof;

1/3693; A61M 1/3696; A61M 2209/084;
A61M 2205/502; A61M 2205/505; A16B

FIG. 8 is an enlarged view of the indicated portion “8” of FIG. 1;

50/10; A16B 50/13; A16B 50/15
See application file for complete search history.

FIG. 9 is an enlarged view of the indicated portion “9” of FIG. 1;

(56) **References Cited**

U.S. PATENT DOCUMENTS

D254,145 S * 2/1980 Wilcock D23/209
D267,037 S * 11/1982 Spranger D24/169
4,496,458 A * 1/1985 Lee A61M 1/16
156/73.6
D320,661 S * 10/1991 Sone D24/169
D367,704 S * 3/1996 Cotter D24/169
D453,828 S * 2/2002 Brassil D24/107
D526,413 S * 8/2006 Baker D24/164
D579,553 S * 10/2008 Cmkovich D24/111

FIG. 10 is an enlarged view of the indicated portion “10” of FIG. 3;

FIG. 11 is an enlarged view of the indicated portion “11” of FIG. 3;

FIG. 12 is an enlarged view of the indicated portion “12” of FIG. 2;

FIG. 13 is an enlarged view the indicated portion “13” of FIG. 2;

FIG. 14 is an enlarged view of the indicated portion “14” of FIG. 3; and,

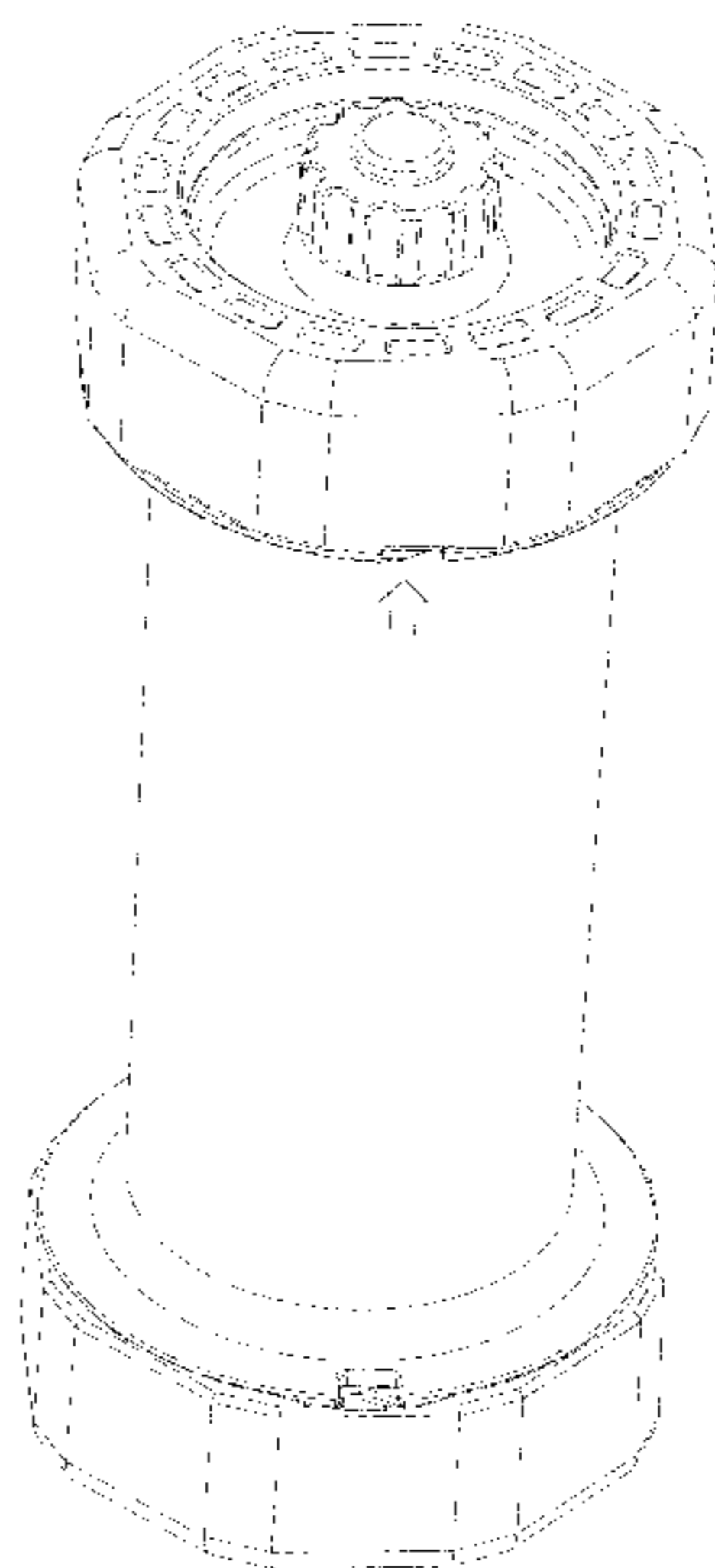
FIG. 15 is an enlarged view of the indicated portion “15” of FIG. 3.

The broken lines show portions of the blood perfusion apparatus in which the claimed design is embodied that form no part of the claimed design.

The dot-dash broken lines indicating an enlarged portion of the design form no part of the claimed design.

(Continued)

1 Claim, 10 Drawing Sheets



(56)

References Cited

U.S. PATENT DOCUMENTS

D681,209 S * 4/2013 Kawamura D24/169
2014/0263018 A1* 9/2014 Fuhriman B01D 63/02
210/232
2017/0095603 A1* 4/2017 Cho A61M 1/3413

* cited by examiner

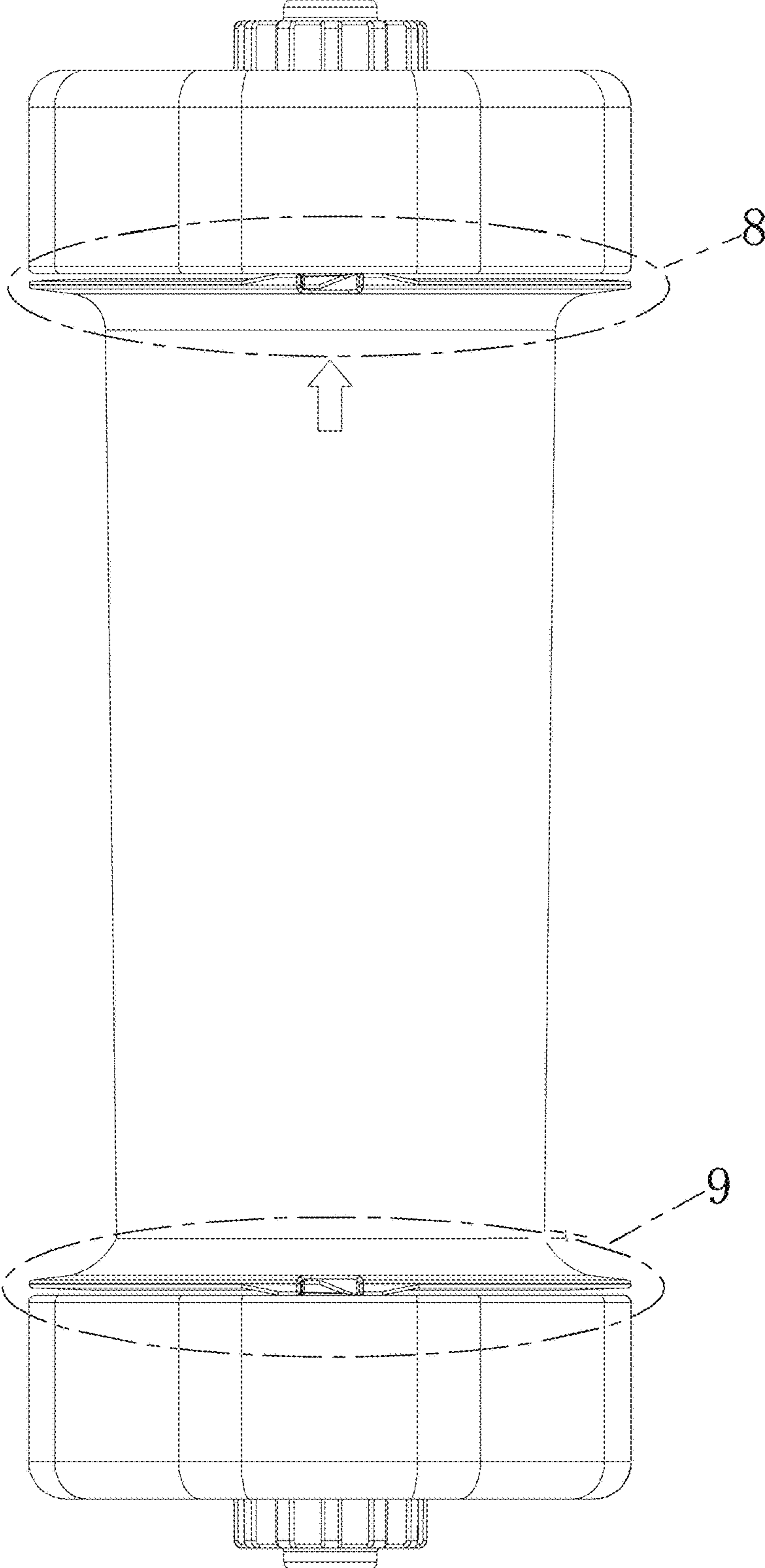


FIG. 1

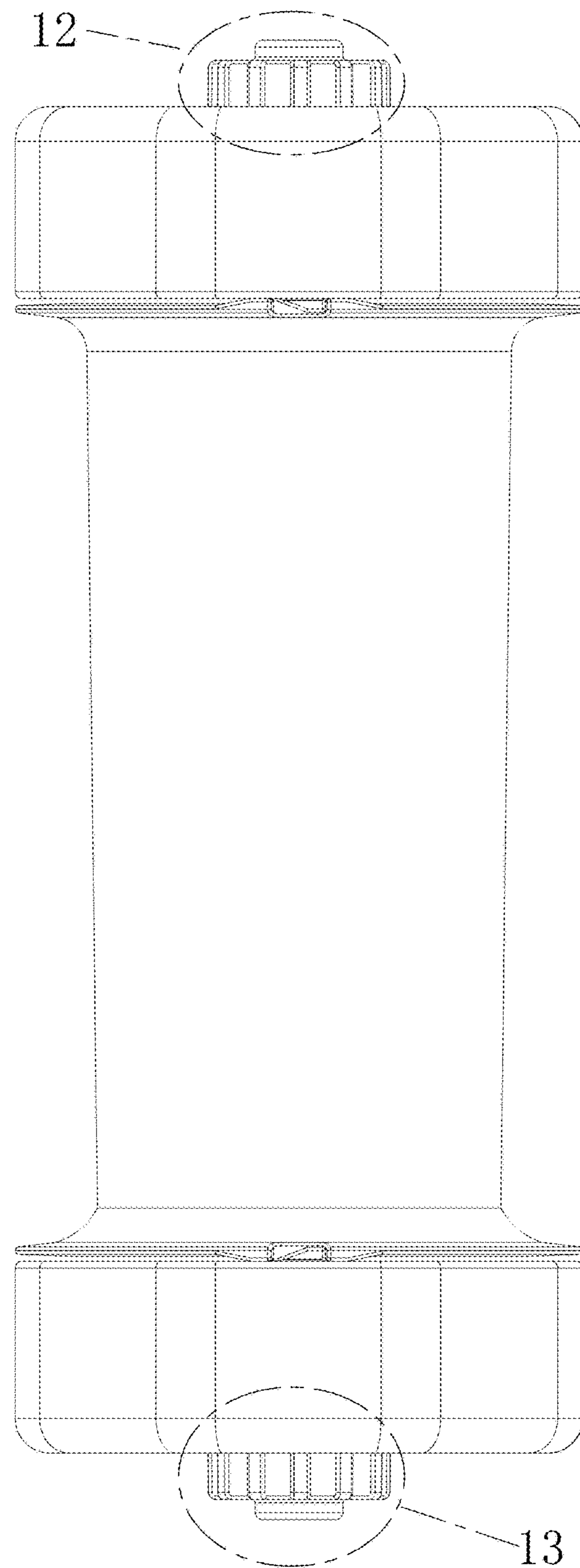


FIG. 2

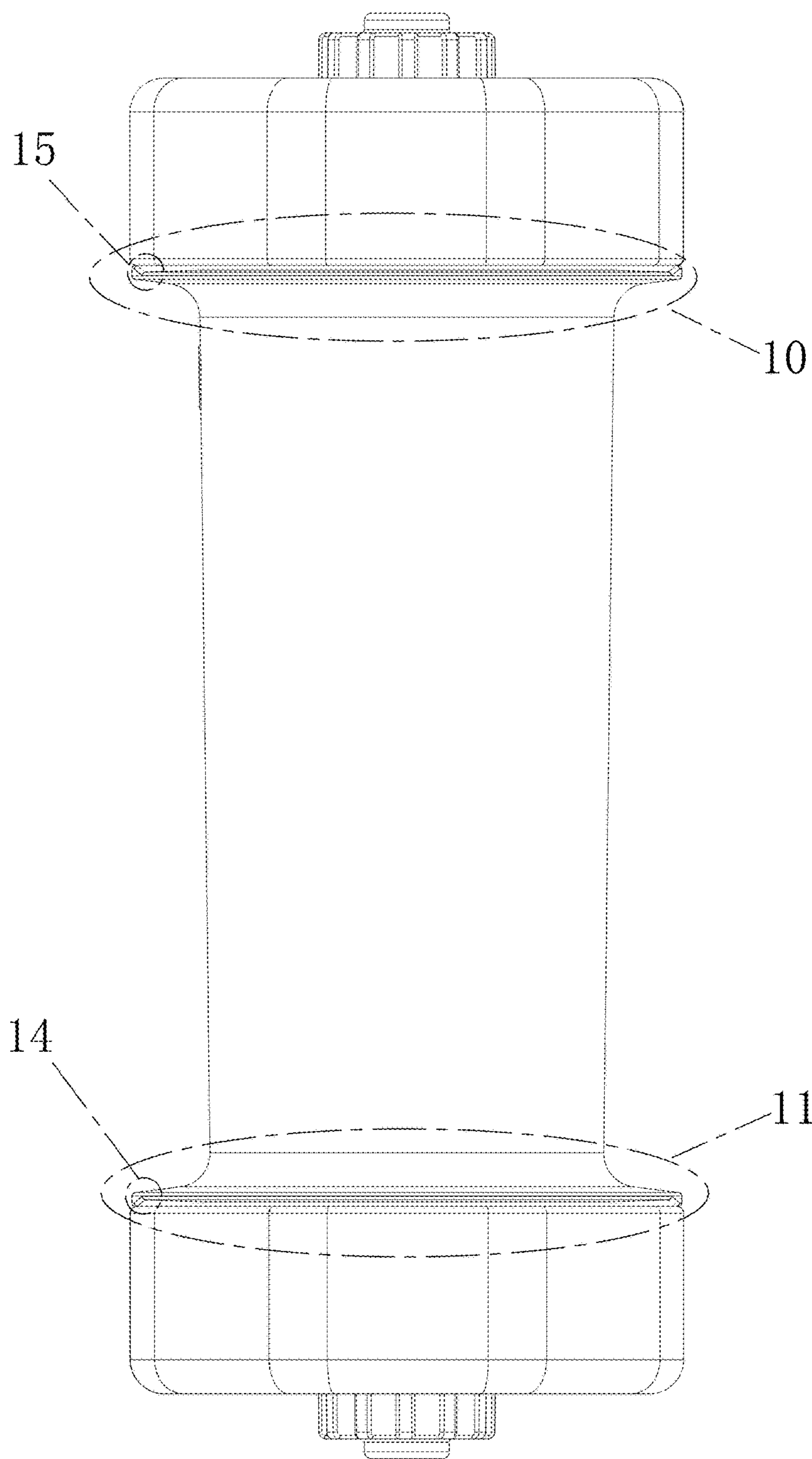


FIG. 3

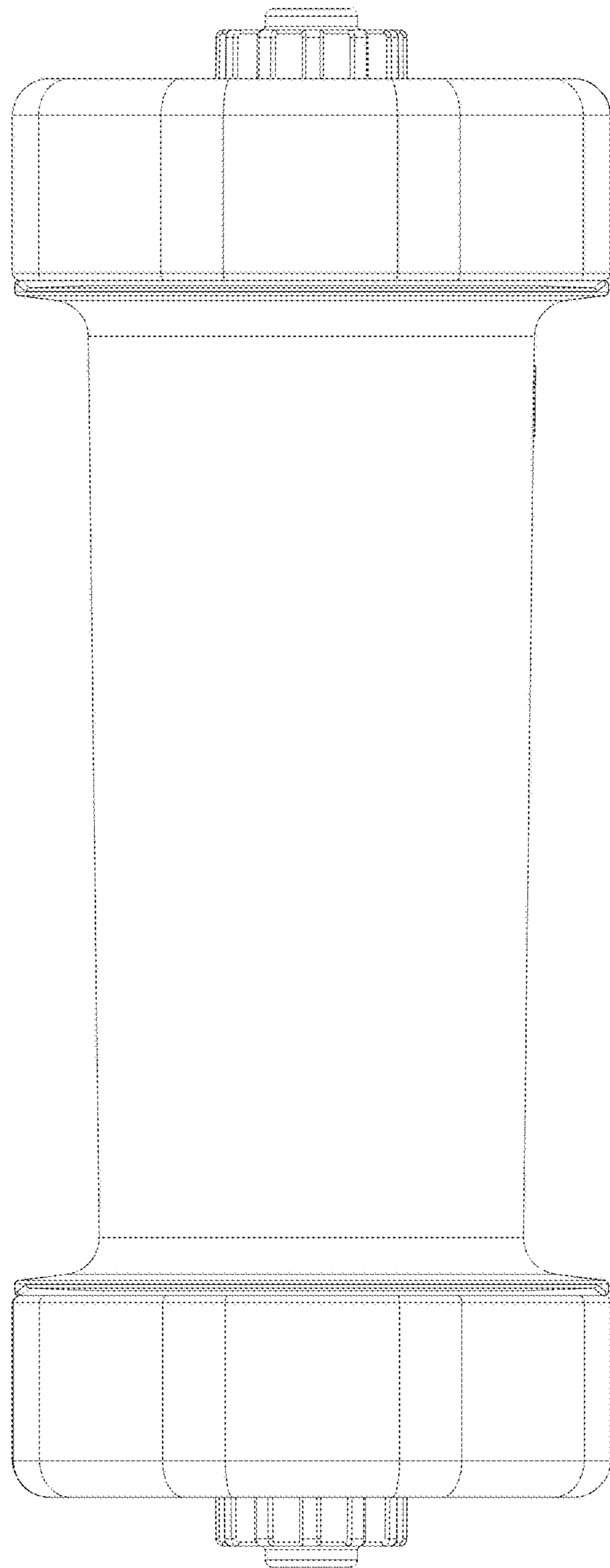


FIG. 4

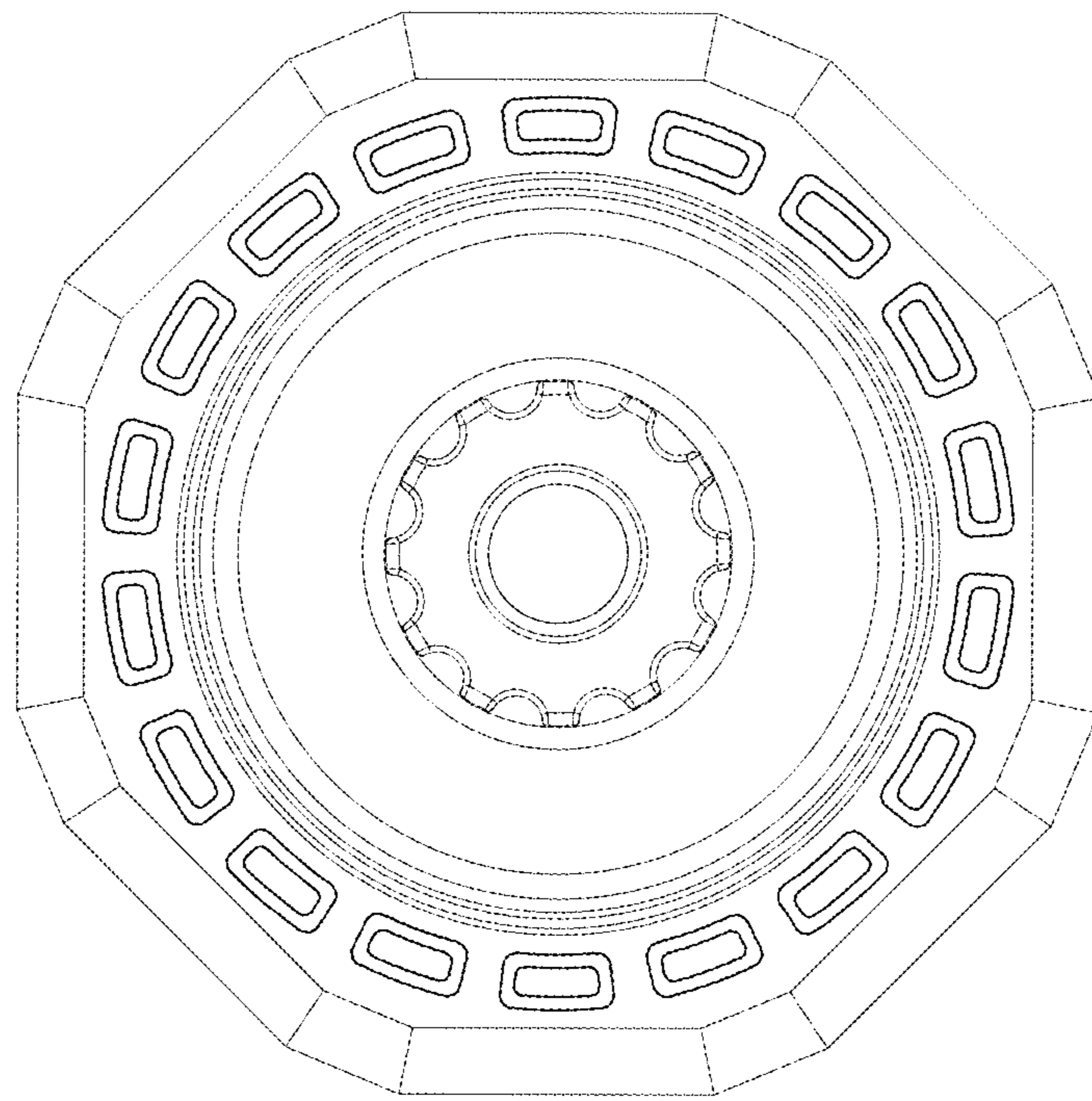


FIG. 5

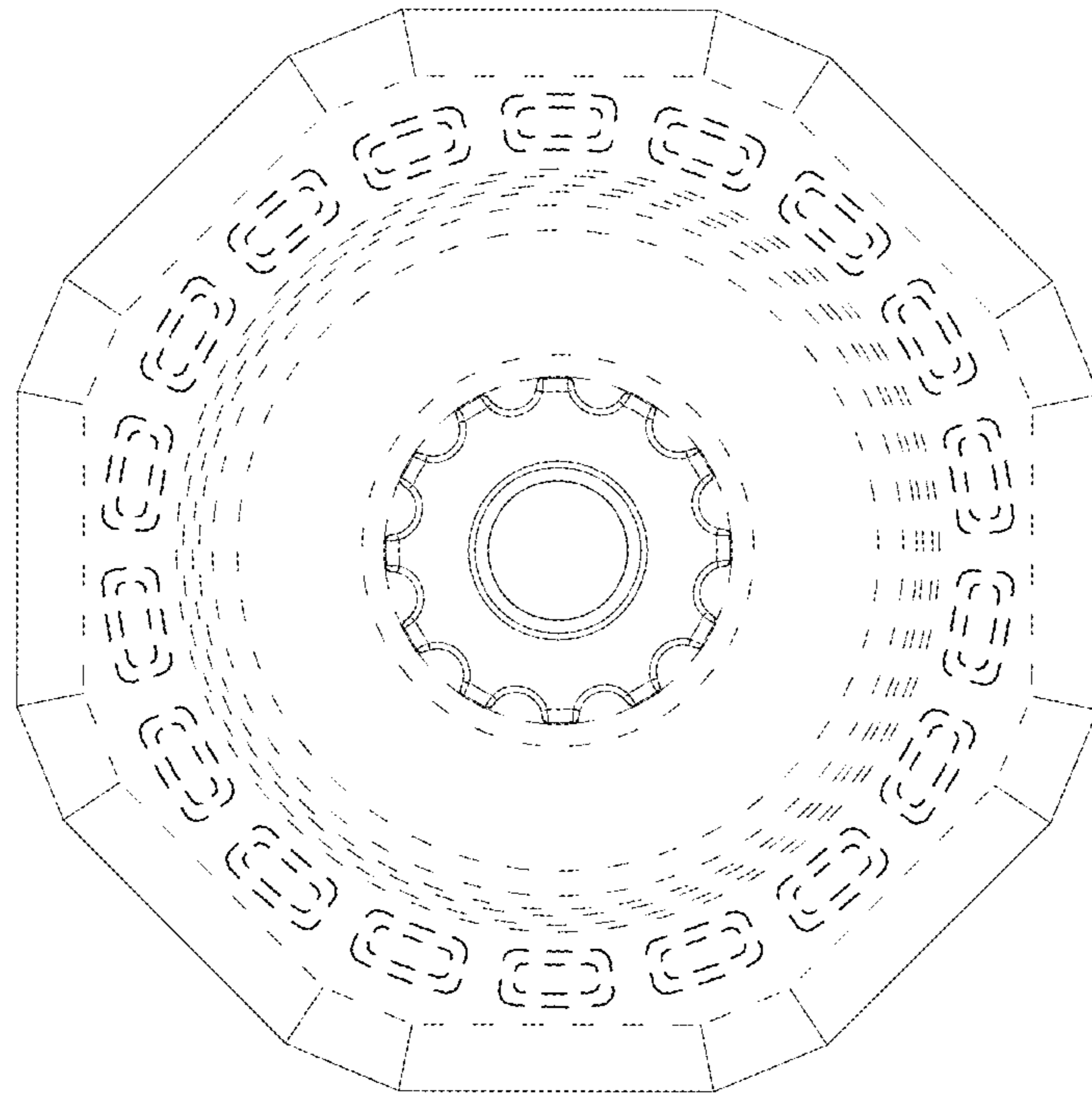


FIG. 6

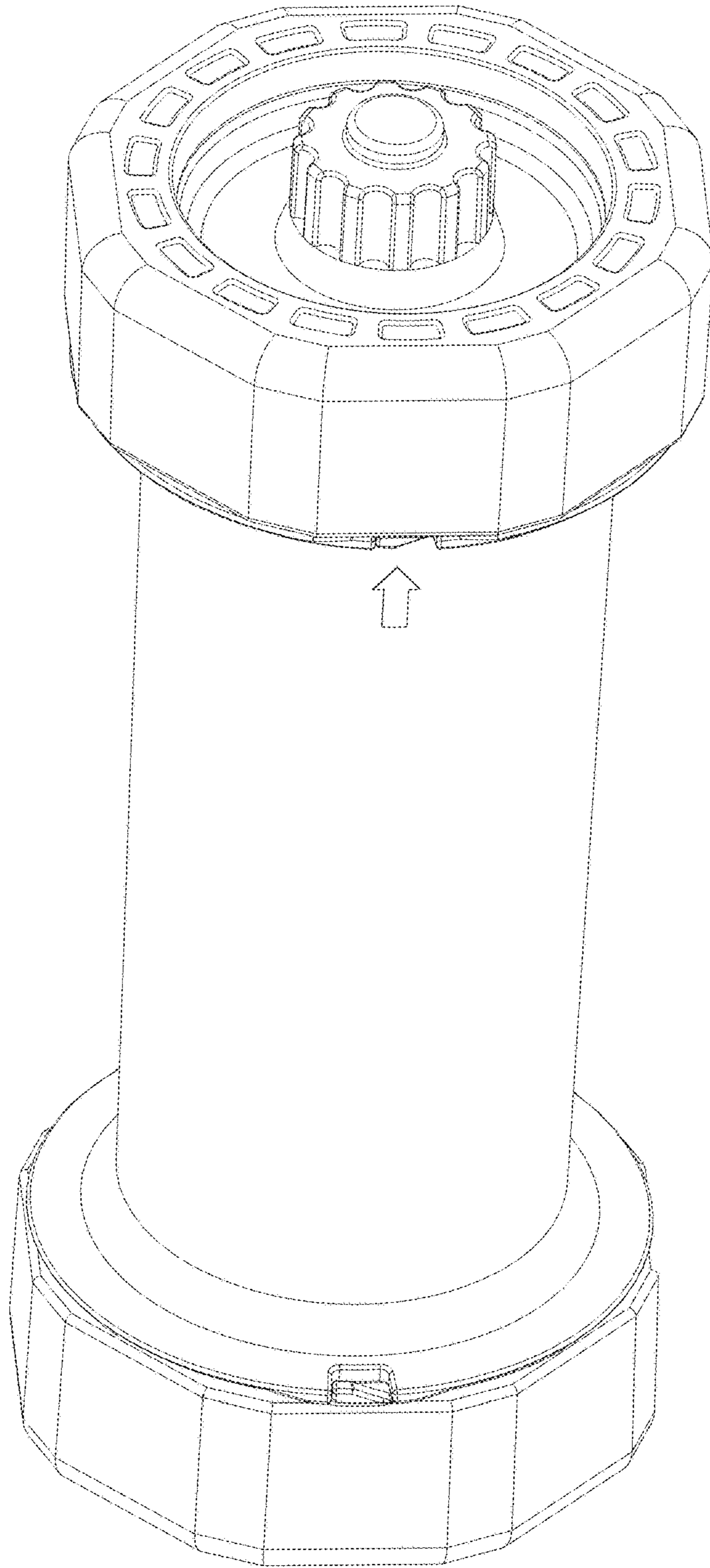


FIG. 7

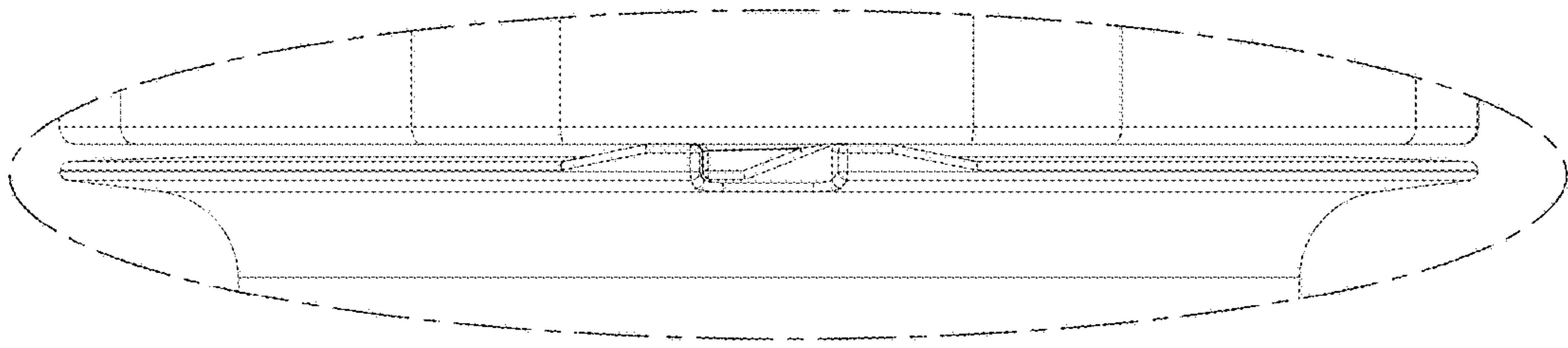


FIG. 8

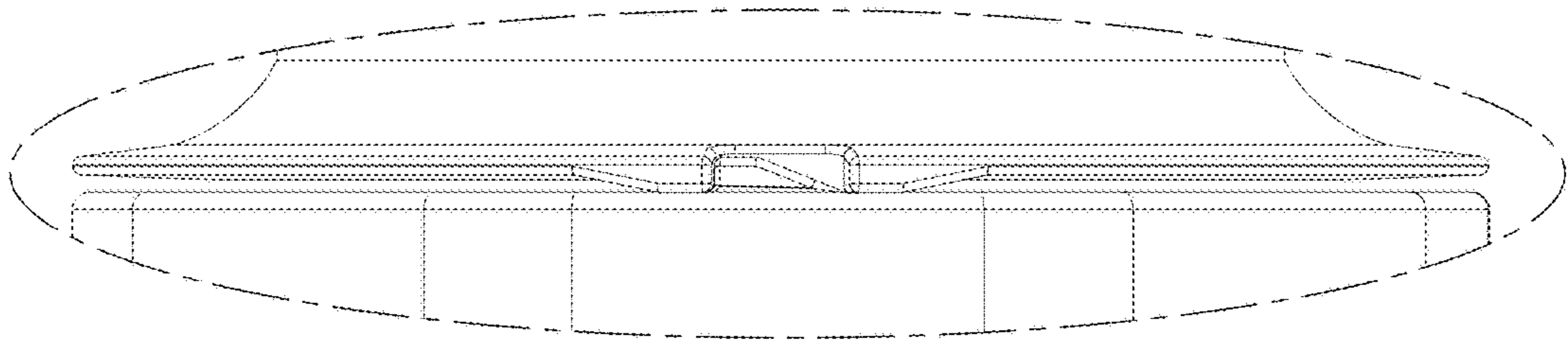


FIG. 9

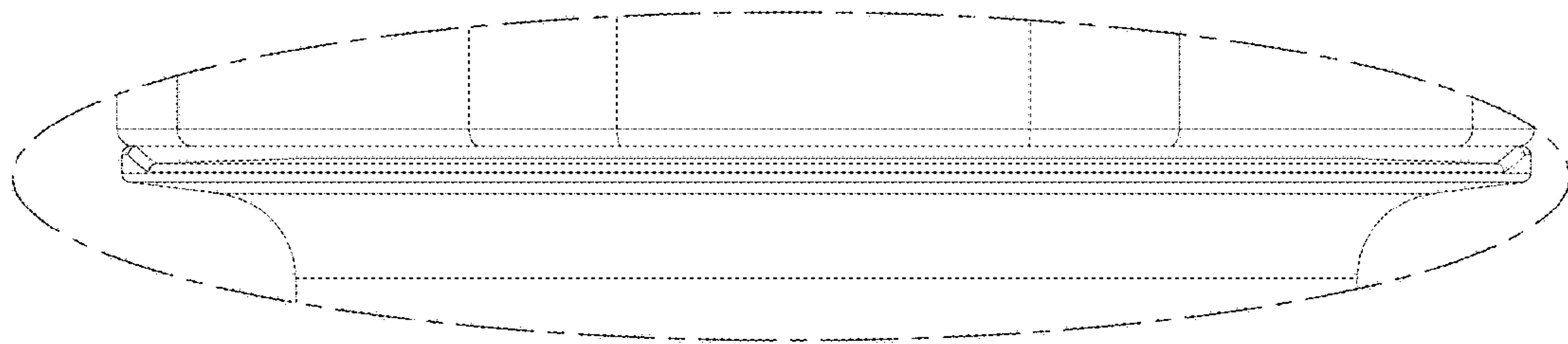


FIG. 10

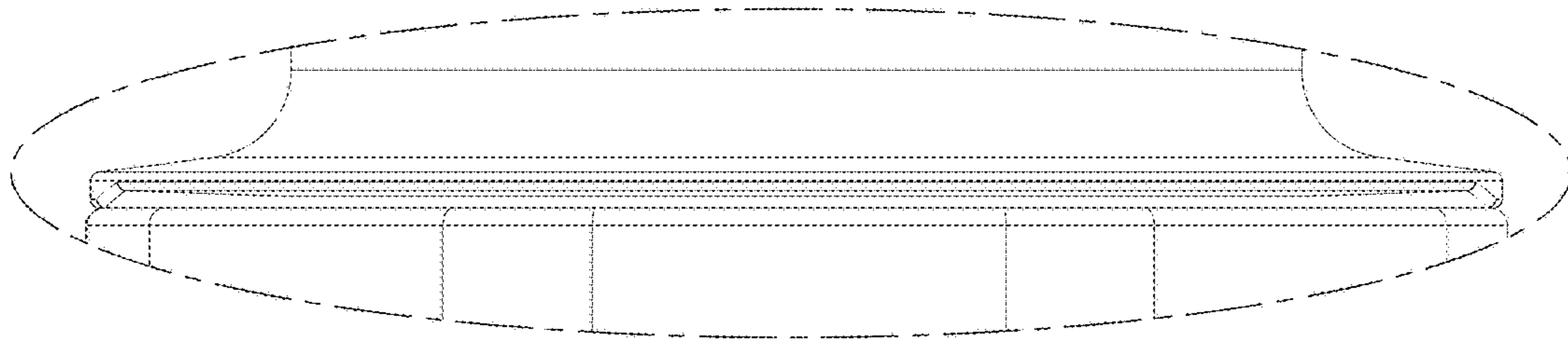


FIG. 11

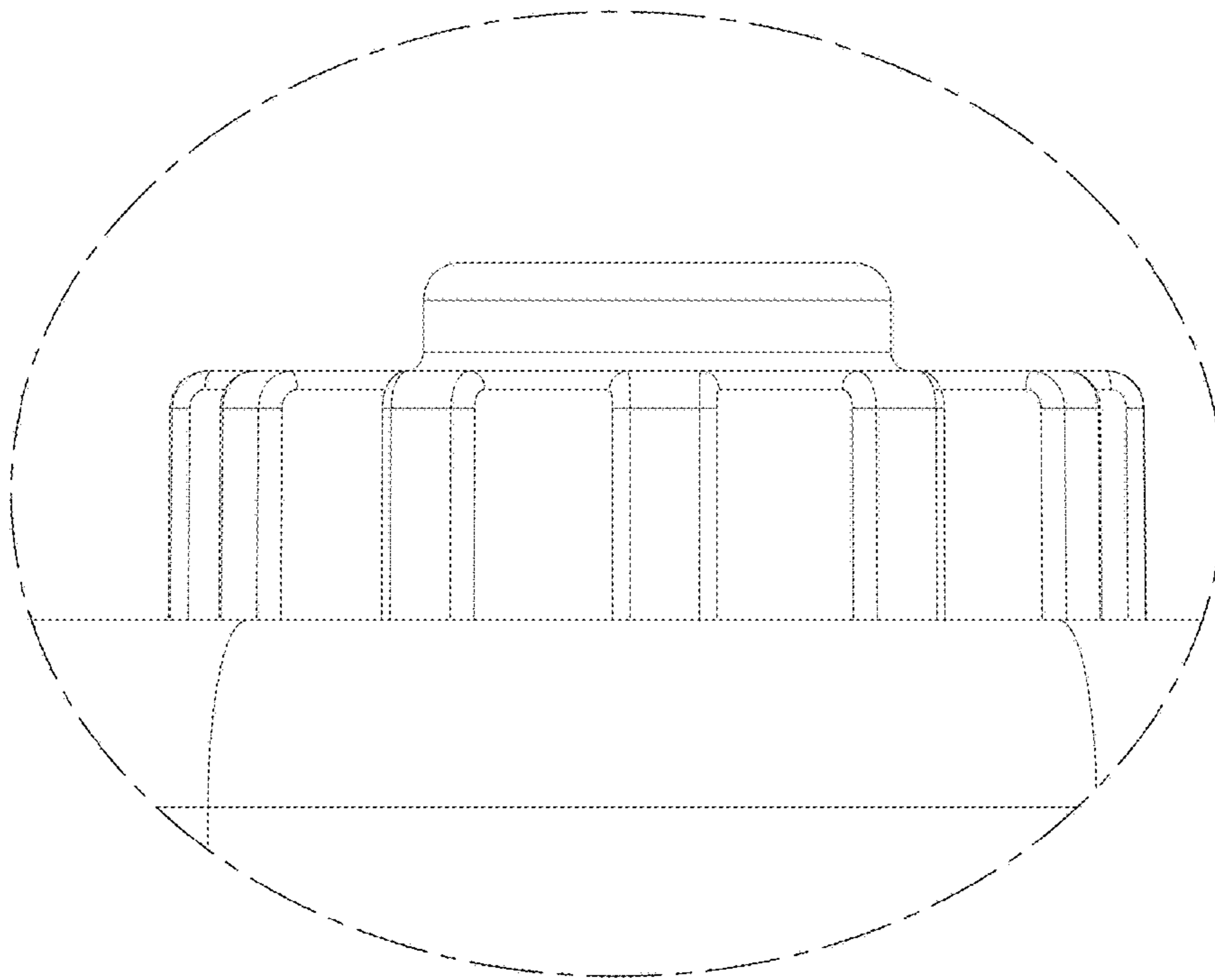


FIG. 12

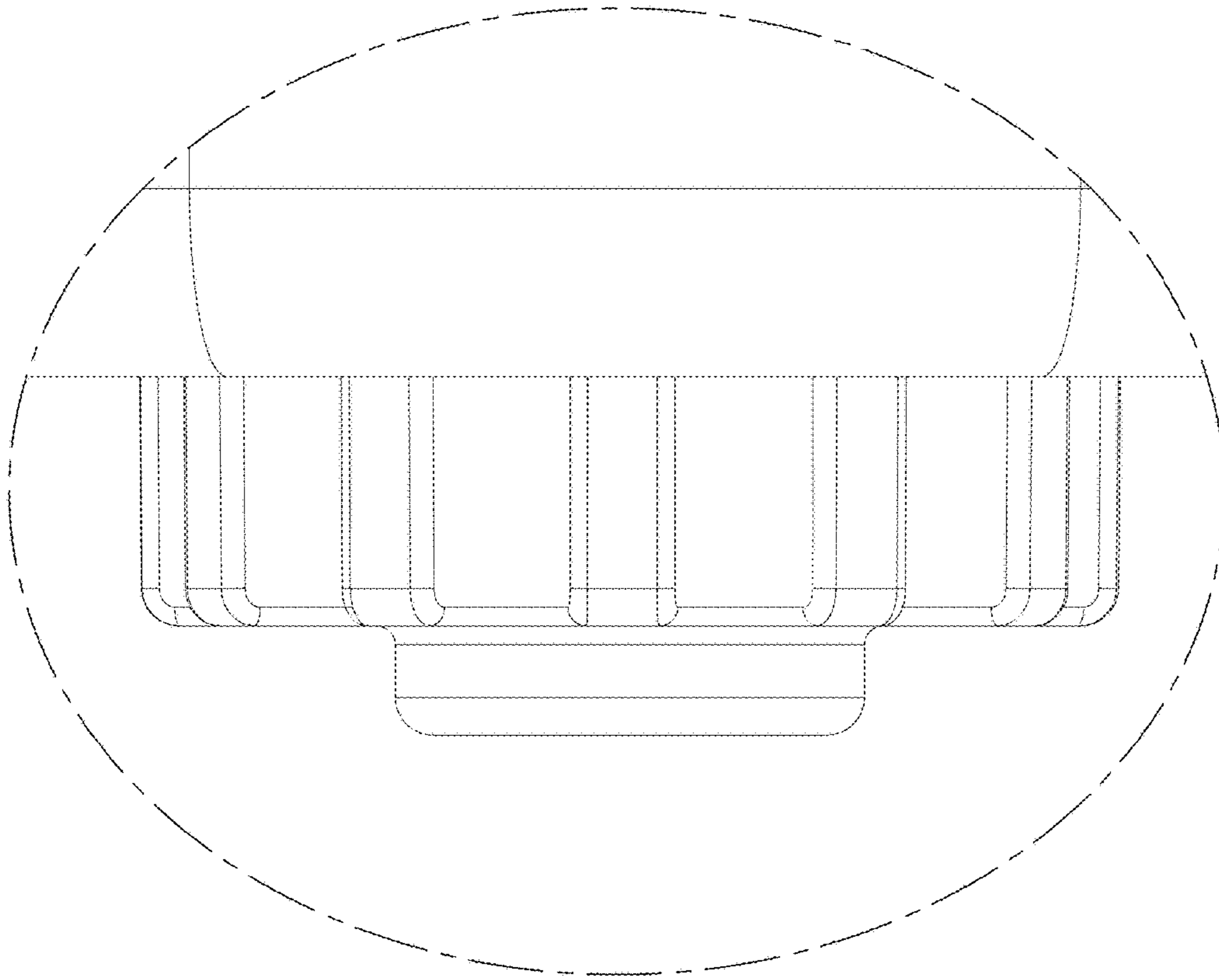


FIG. 13

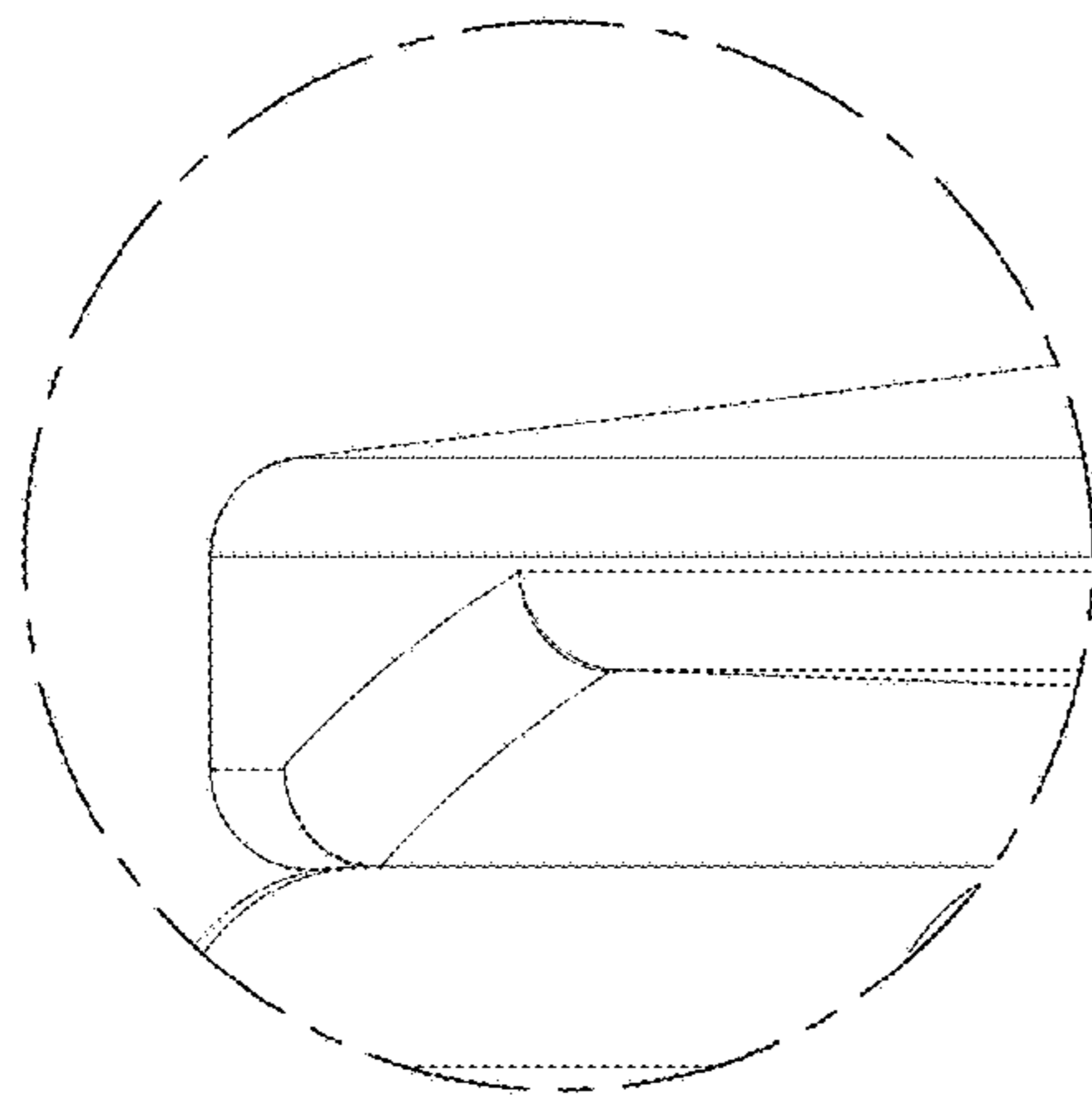


FIG. 14

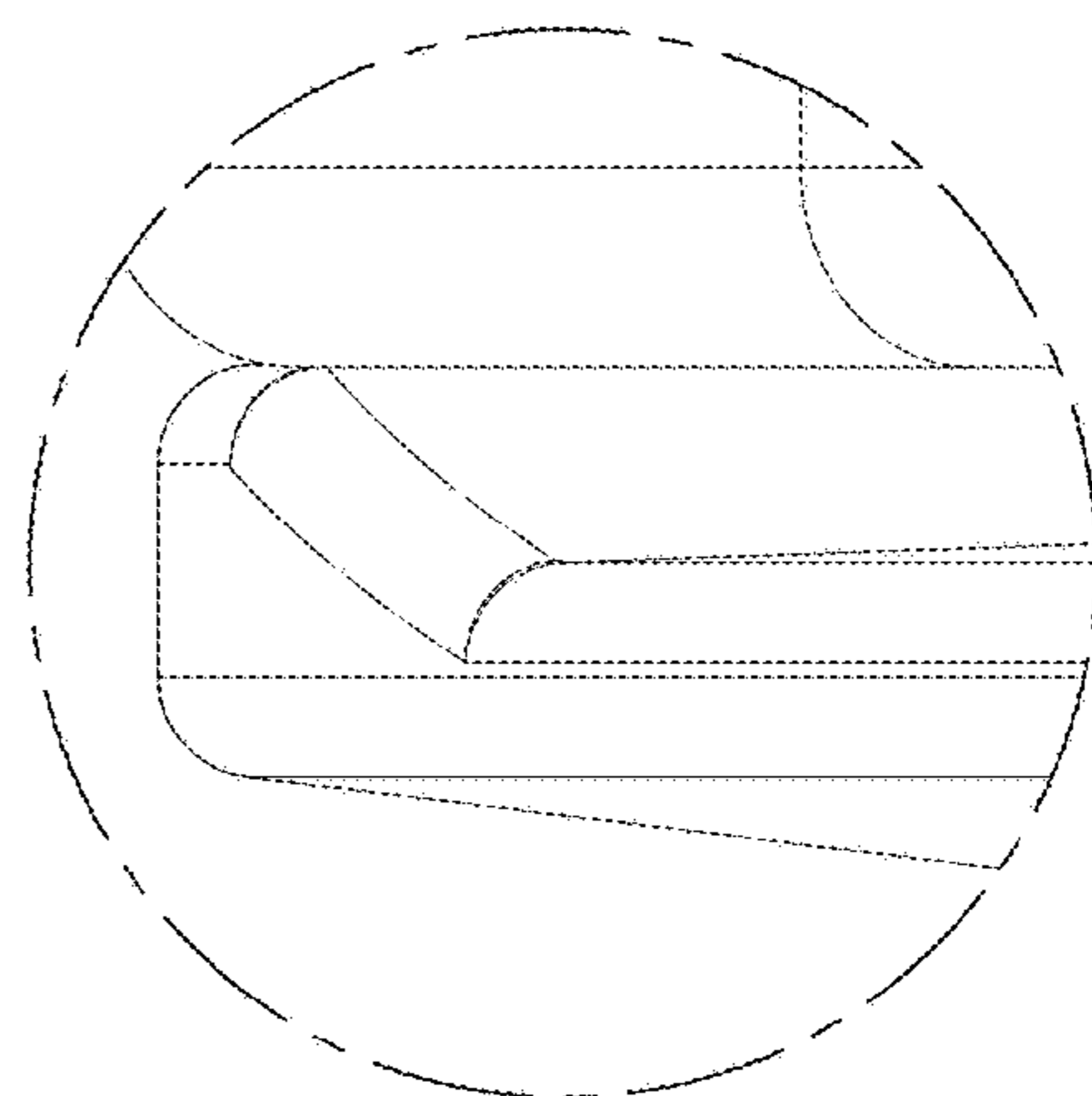


FIG. 15