



US00D864396S

(12) **United States Design Patent**  
**Mikami**

(10) **Patent No.:** **US D864,396 S**

(45) **Date of Patent:** **\*\* Oct. 22, 2019**

(54) **ELECTROCARDIOGRAPH MEASURING  
DEVICE**

(71) Applicant: **SIMPLEX QUANTUM INC.**, Tokyo  
(JP)

(72) Inventor: **Yoshihiro Mikami**, Tokyo (JP)

(73) Assignee: **Simplex Quantum Inc.**, Tokyo (JP)

(\*\*) Term: **15 Years**

(21) Appl. No.: **29/655,408**

(22) Filed: **Jul. 3, 2018**

(51) **LOC (12) Cl.** ..... **24-01**

(52) **U.S. Cl.**  
USPC ..... **D24/167**

(58) **Field of Classification Search**  
USPC .... D24/107, 167, 186, 187; D10/70, 75, 98,  
D10/97; D14/344  
CPC ..... A61B 5/6801; A61B 5/681; A61B 5/6819;  
A61B 5/6823; A61B 5/6824; A61B  
5/02405; A61B 5/02427; A61B 5/02438;  
A61B 2560/0412; A61B 2560/0418;  
A61B 2562/162; A61B 2562/164; A61B  
2562/0295; A61B 2562/18; A61B 5/0402;  
A61B 5/0404

See application file for complete search history.

(56) **References Cited**

**U.S. PATENT DOCUMENTS**

D714,942 S \* 10/2014 Hwang ..... D24/167  
D761,434 S \* 7/2016 Nelson ..... D24/186

D764,060 S \* 8/2016 Singh ..... D24/167  
D787,066 S \* 5/2017 Kim ..... D24/167  
D800,313 S \* 10/2017 Chang ..... D24/167  
D810,944 S \* 2/2018 Goolkasian ..... D24/167  
D812,229 S \* 3/2018 Al-Siddiq ..... D24/167  
D850,626 S \* 6/2019 Gardner ..... D24/186  
2013/0116534 A1 \* 5/2013 Woo ..... A61B 5/0002  
600/391

\* cited by examiner

*Primary Examiner* — Anhdao Doan

(74) *Attorney, Agent, or Firm* — Greer Burns & Crain,  
Ltd.

(57) **CLAIM**

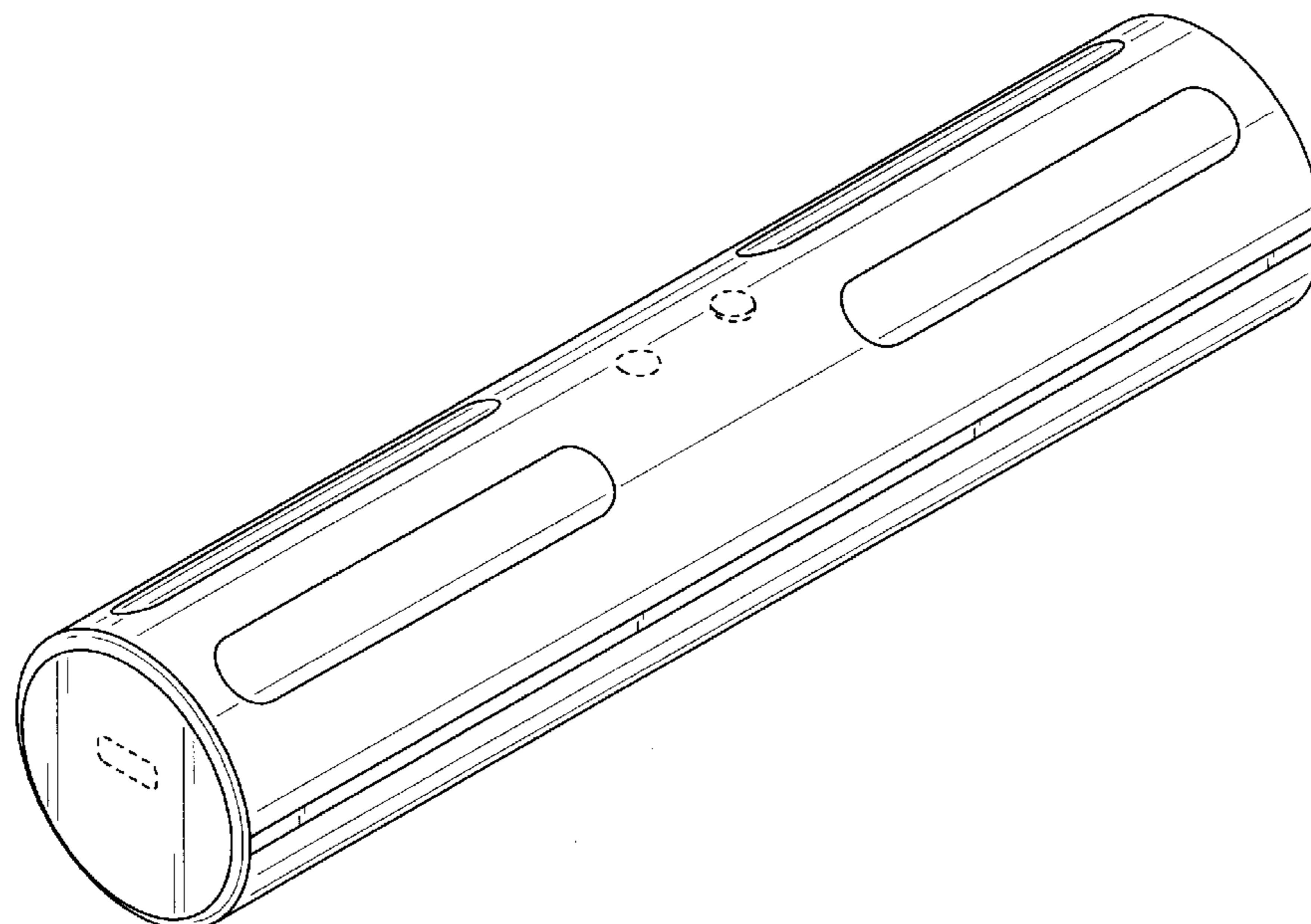
The ornamental design for an electrocardiograph measuring device, as shown and described.

**DESCRIPTION**

FIG. 1 is a perspective view of an electrocardiograph measuring device;  
FIG. 2 is a front view thereof;  
FIG. 3 is a back view thereof;  
FIG. 4 is a left side view thereof;  
FIG. 5 is a right side view thereof.  
FIG. 6 is a top view thereof; and,  
FIG. 7 is a bottom view thereof.

The broken lines illustrate portions of the electrocardiograph measuring device that form no part of the claimed design.

**1 Claim, 4 Drawing Sheets**



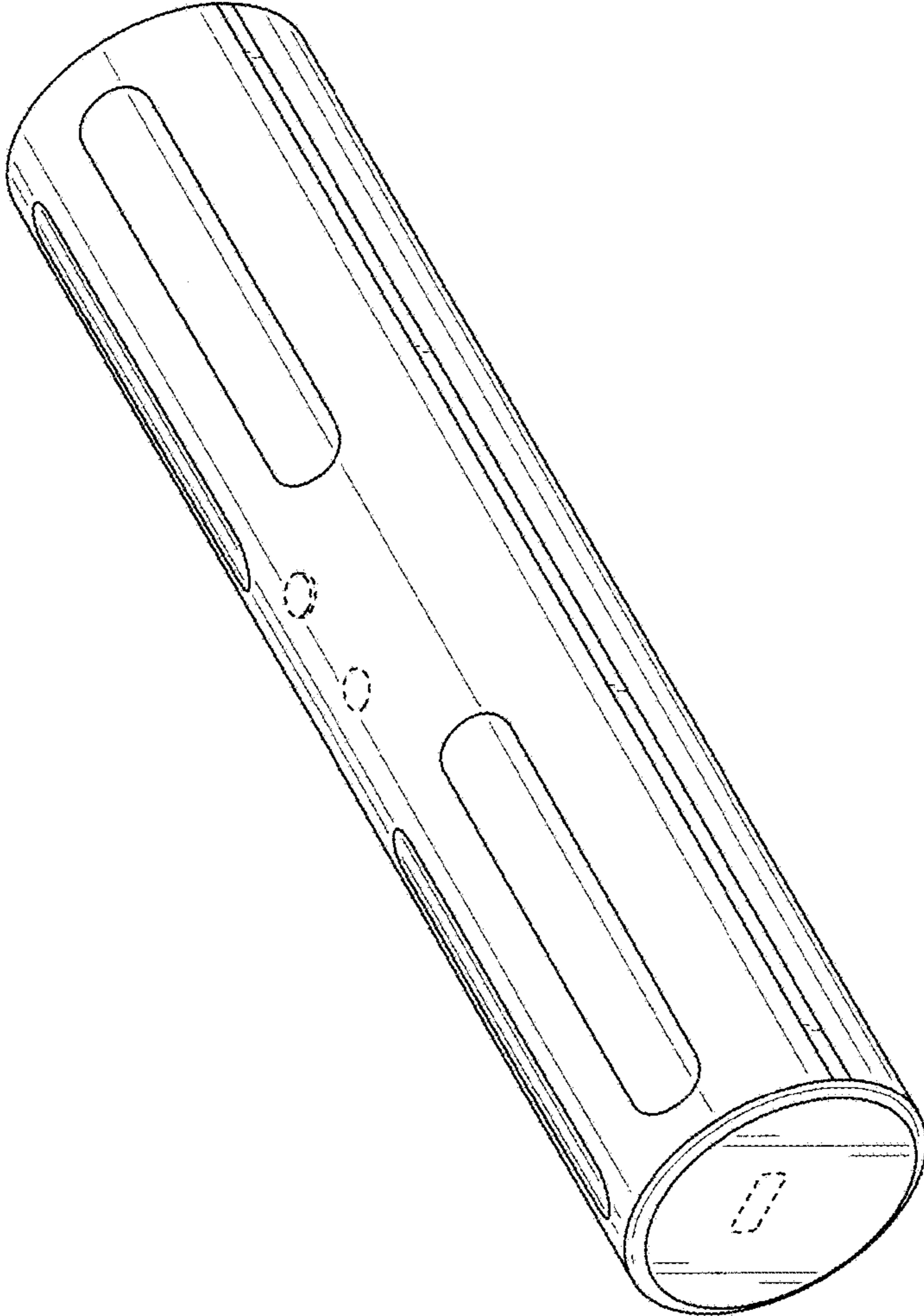


FIG. 1

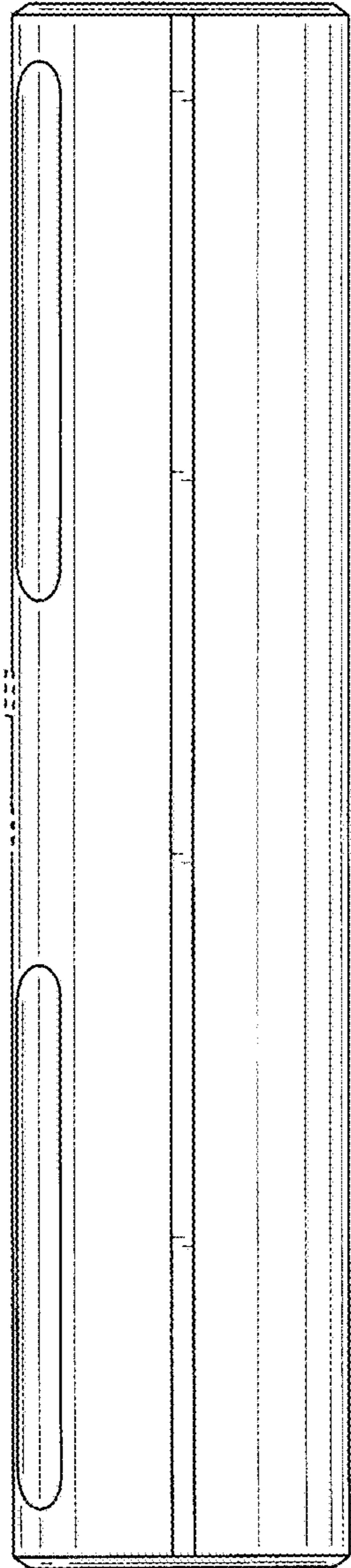


FIG. 2

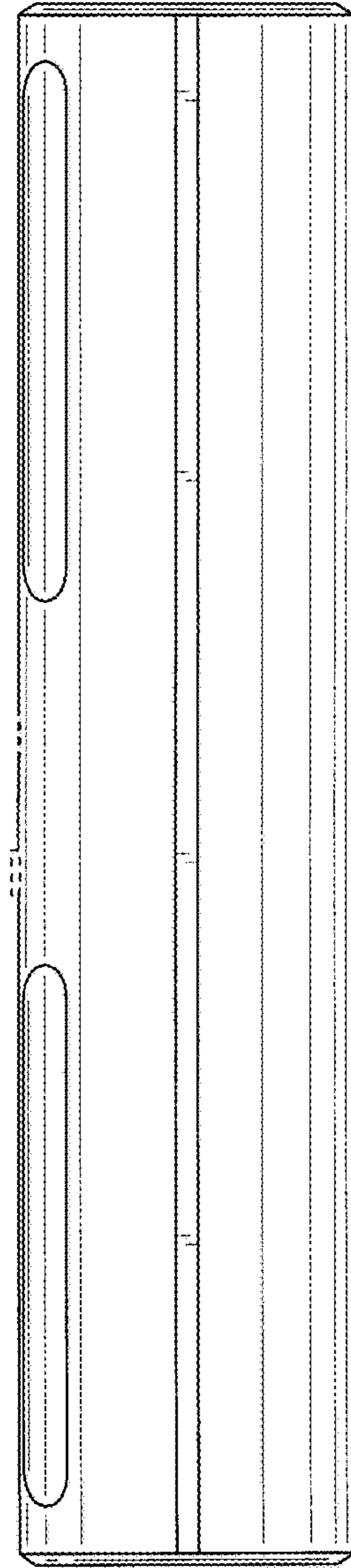


FIG. 3

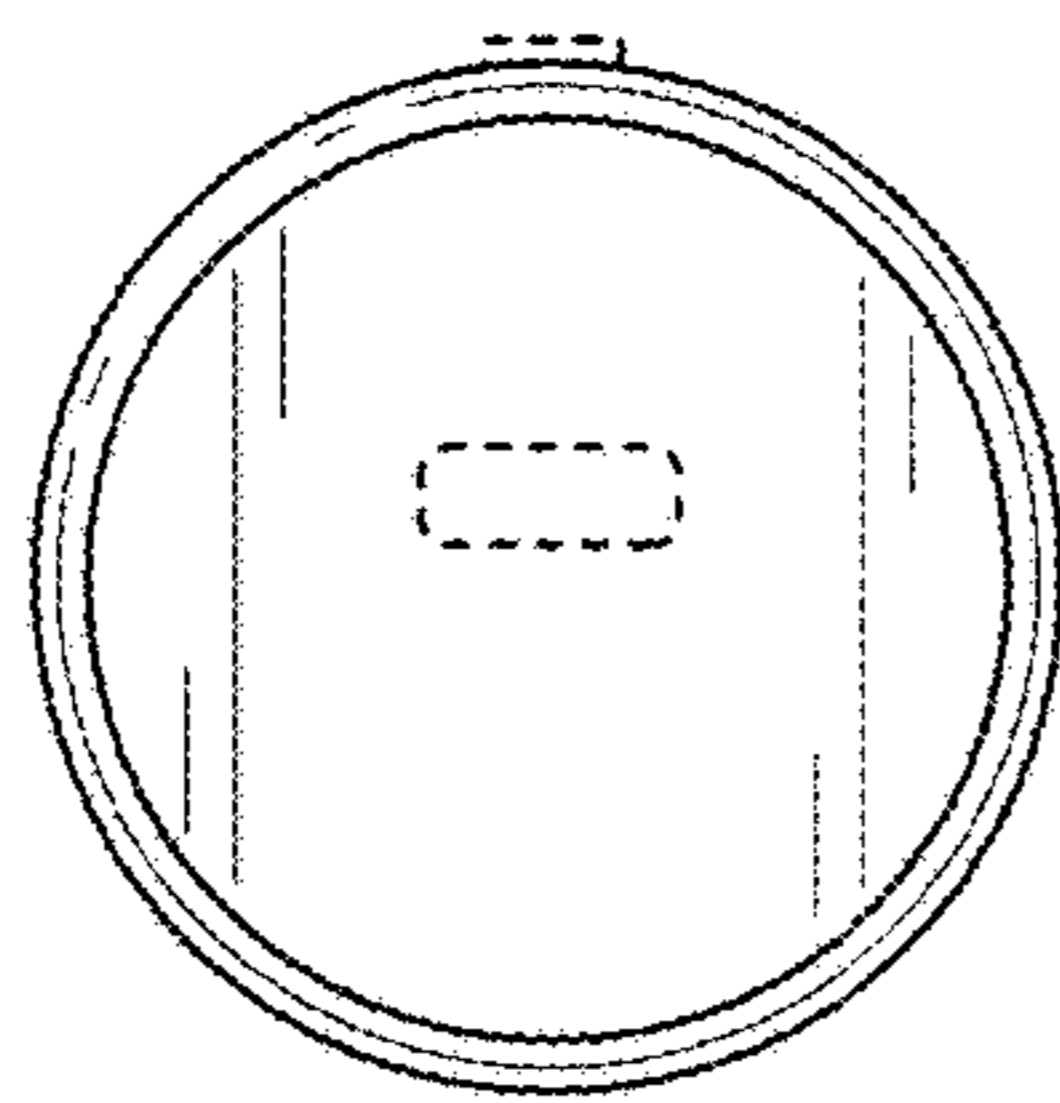


FIG. 4

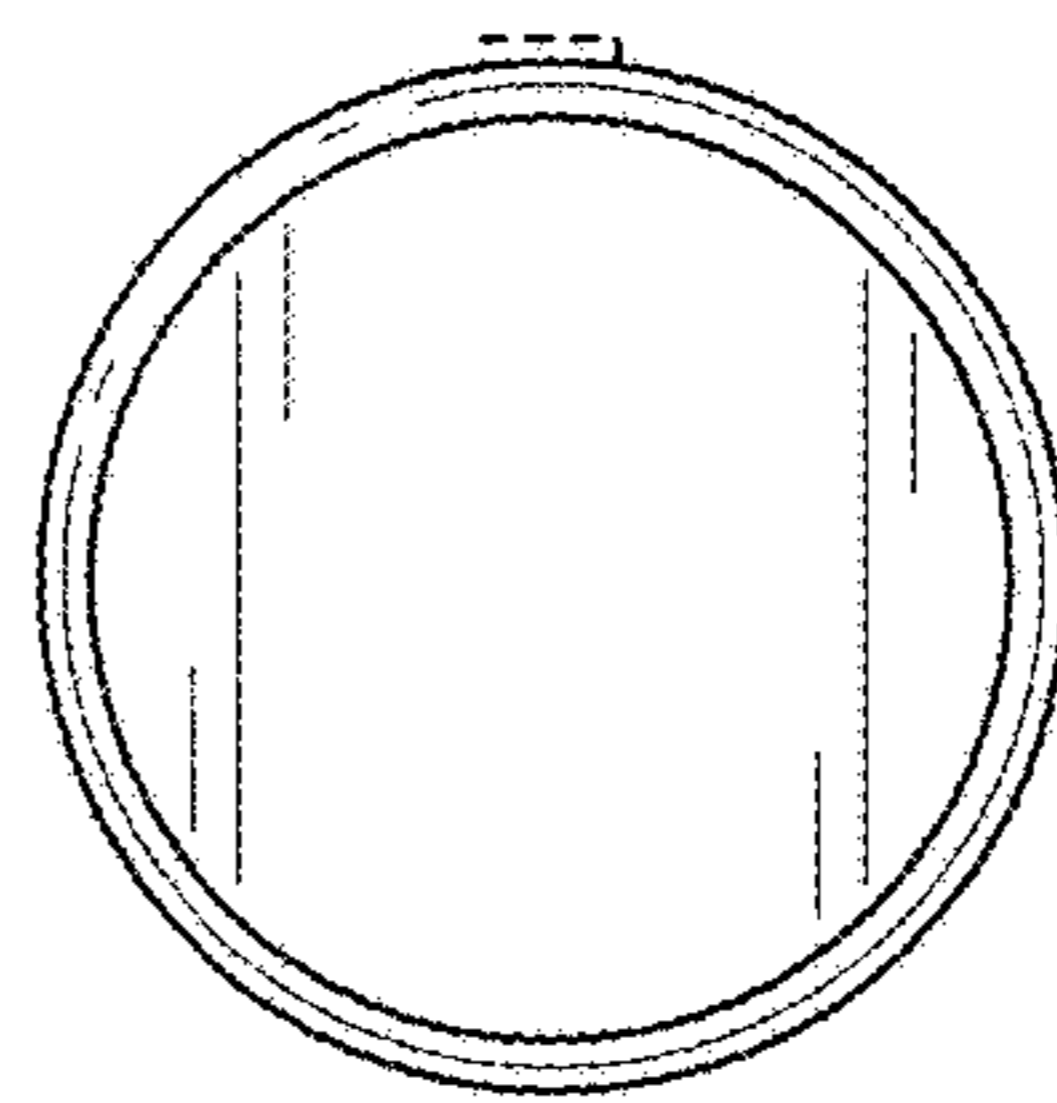


FIG. 5

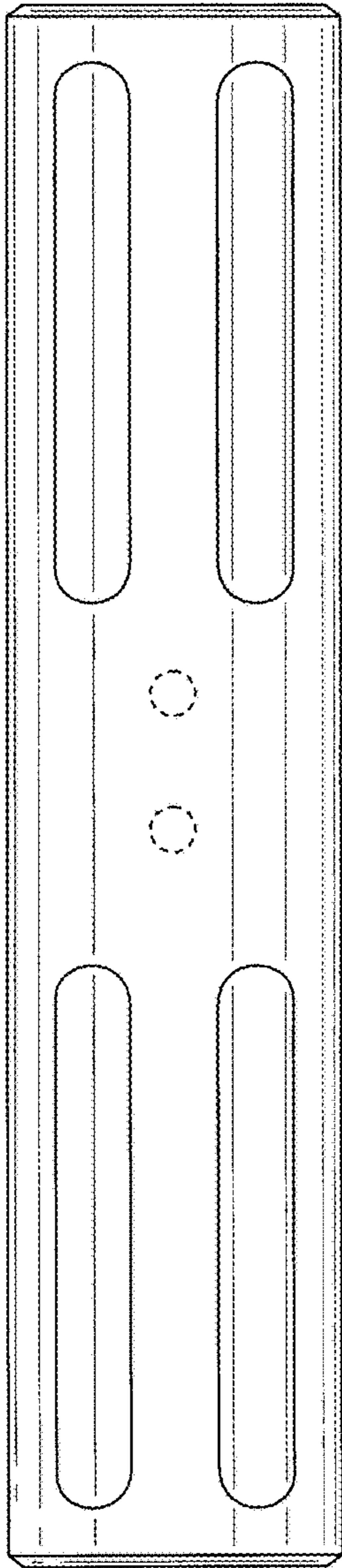


FIG. 6

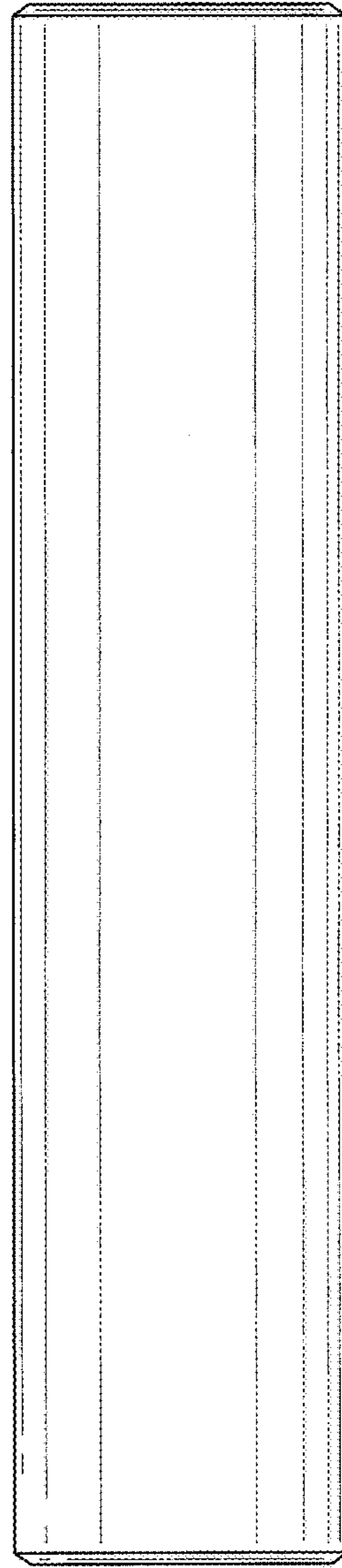


FIG. 7