



US00D864394S

(12) **United States Design Patent** (10) **Patent No.:** **US D864,394 S**  
**Kumar et al.** (45) **Date of Patent:** **\*\* Oct. 22, 2019**

(54) **X-RAY DETECTOR HOLDER**

(71) Applicant: **General Electric Company,**  
Schenectady, NY (US)

(72) Inventors: **G.S. Sampath Kumar,** Hosur (IN);  
**Stephen Schroeder,** Waukesha, WI  
(US)

(73) Assignee: **General Electric Company,**  
Schenectady, NY (US)

(\*\*) Term: **15 Years**

(21) Appl. No.: **29/648,044**

(22) Filed: **May 17, 2018**

(51) **LOC (12) Cl.** ..... **24-01**

(52) **U.S. Cl.**  
USPC ..... **D24/158**

(58) **Field of Classification Search**  
USPC ..... D24/107, 158-161, 185, 186, 187, 231  
(Continued)

(56) **References Cited**

U.S. PATENT DOCUMENTS

5,652,781 A \* 7/1997 Armbruster ..... G03B 42/04  
378/182  
D397,795 S \* 9/1998 Roddy ..... D24/161  
(Continued)

*Primary Examiner* — Anhdao Doan

(74) *Attorney, Agent, or Firm* — McCoy Russell LLP

(57) **CLAIM**

The ornamental design for X-ray detector holder, as shown and described.

**DESCRIPTION**

FIG. 1 is a front-right perspective view of a design for a X-ray detector holder according to a first embodiment of the present invention.

FIG. 2 is a front view of the X-ray detector holder of FIG. 1.

FIG. 3 is a back view of the X-ray detector holder of FIG. 1.

FIG. 4 is a left side view of the X-ray detector holder of FIG. 1.

FIG. 5 is a right side view of the X-ray detector holder of FIG. 1.

FIG. 6 is a top view of the X-ray detector holder of FIG. 1.

FIG. 7 is a bottom view of the X-ray detector holder of FIG. 1.

FIG. 8 is a front-right perspective view of the X-ray detector holder of FIG. 1, with an X-ray detector shown in environment.

FIG. 9 is a front-right perspective view of a design for a X-ray detector holder according to a second embodiment of the present invention.

FIG. 10 is a front view of the X-ray detector holder of FIG. 9.

FIG. 11 is a back view of the X-ray detector holder of FIG. 9.

FIG. 12 is a left side view of the X-ray detector holder of FIG. 9.

FIG. 13 is a right side view of the X-ray detector holder of FIG. 9.

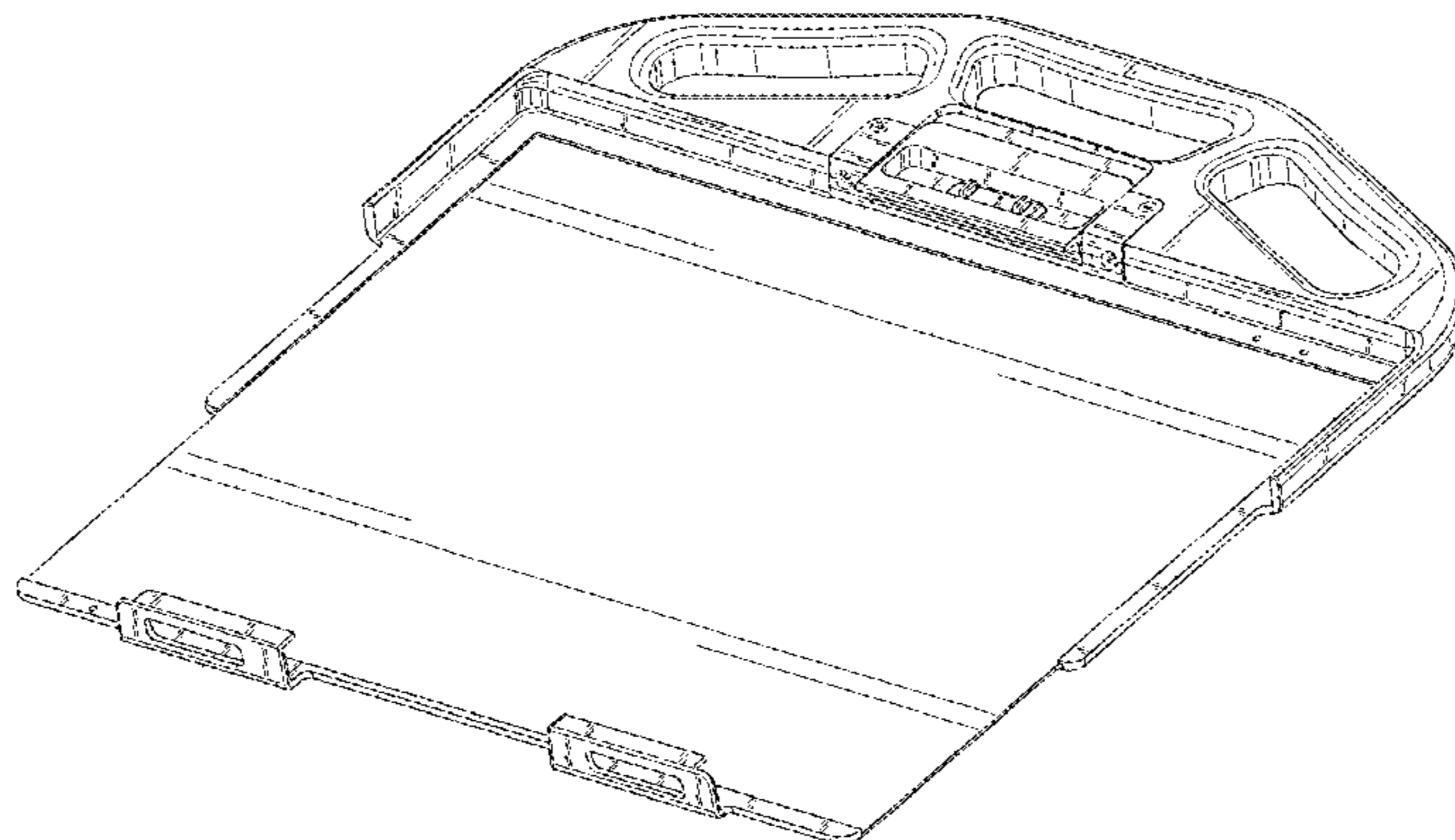
FIG. 14 is a top view of the X-ray detector holder of FIG. 9.

FIG. 15 is a bottom view of the X-ray detector holder of FIG. 9; and,

FIG. 16 is a front-right perspective view of the X-ray detector holder of FIG. 9, with an X-ray detector shown in environment.

The dashed broken lines in FIGS. 1-2, FIGS. 7-11, and FIGS. 15-16 illustrate portions of the X-ray detector holder that form no part of the claimed design. The long-dash-short-dash broken lines in FIGS. 8 and 16 illustrate environmental structure that forms no part of the claimed design.

**1 Claim, 12 Drawing Sheets**



(58) **Field of Classification Search**

CPC ..... H04N 5/367; G03B 42/04; A61B 6/4283  
See application file for complete search history.

(56) **References Cited**

U.S. PATENT DOCUMENTS

D450,848	S	*	11/2001	Hayashi	.....	D24/158
D477,080	S	*	7/2003	Takahashi	.....	D24/161
D601,254	S	*	9/2009	Weichert	.....	D24/161
D656,614	S		3/2012	Stinson		
D683,459	S	*	5/2013	Haltof	.....	D24/161
D714,444	S	*	9/2014	Ogura	.....	D24/158
D746,466	S		12/2015	Ullom		
D751,715	S		3/2016	Bostley et al.		
2010/0230606	A1	*	9/2010	Liu	.....	A61B 6/4233 250/370.04
2011/0133085	A1	*	6/2011	Konkle	.....	G03B 42/04 250/336.1
2013/0051531	A1	*	2/2013	Kobayashi	.....	A61B 6/4233 378/98
2015/0063550	A1	*	3/2015	Wojcik	.....	A61B 6/4233 378/189

\* cited by examiner

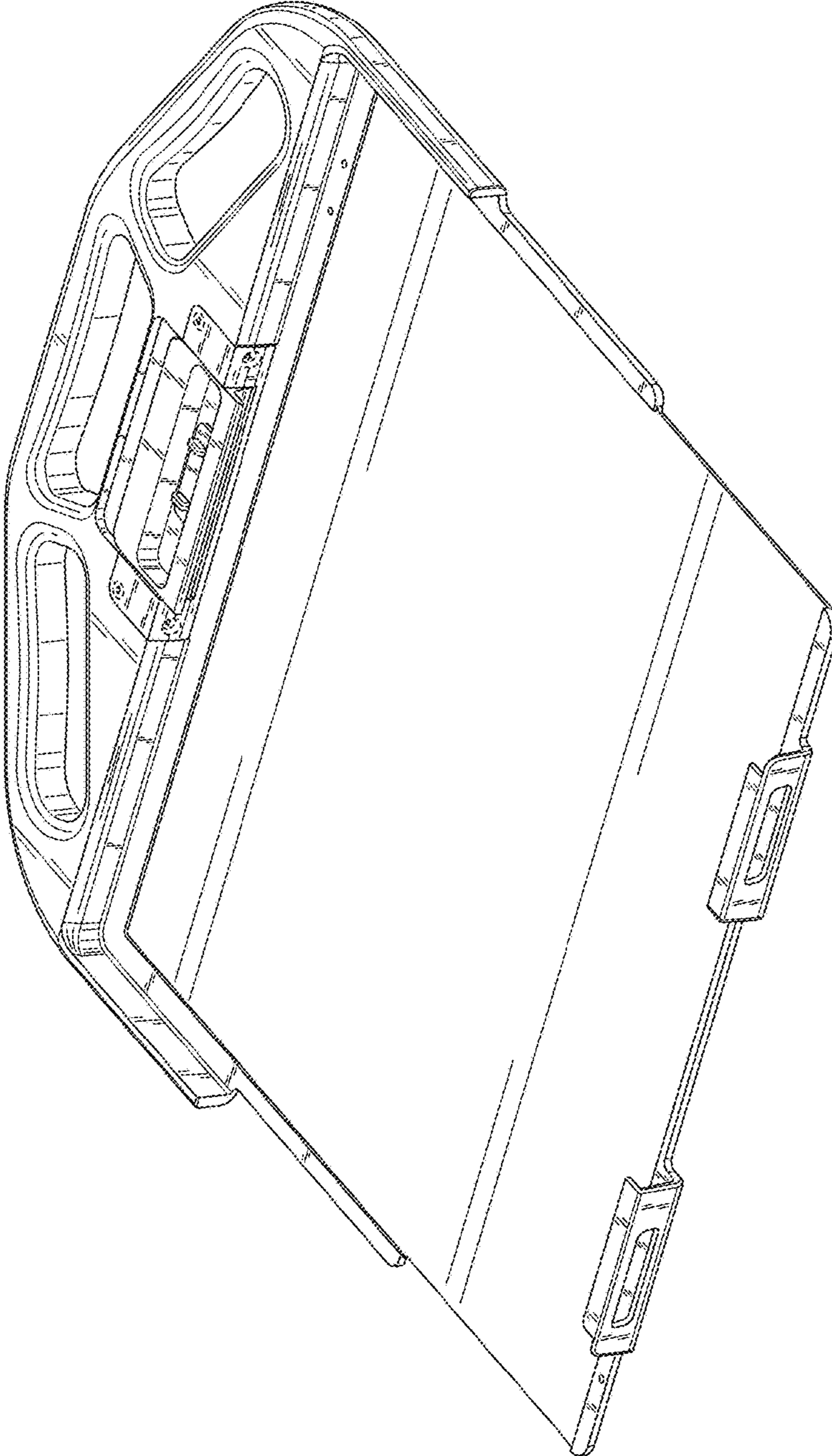


FIG. 1

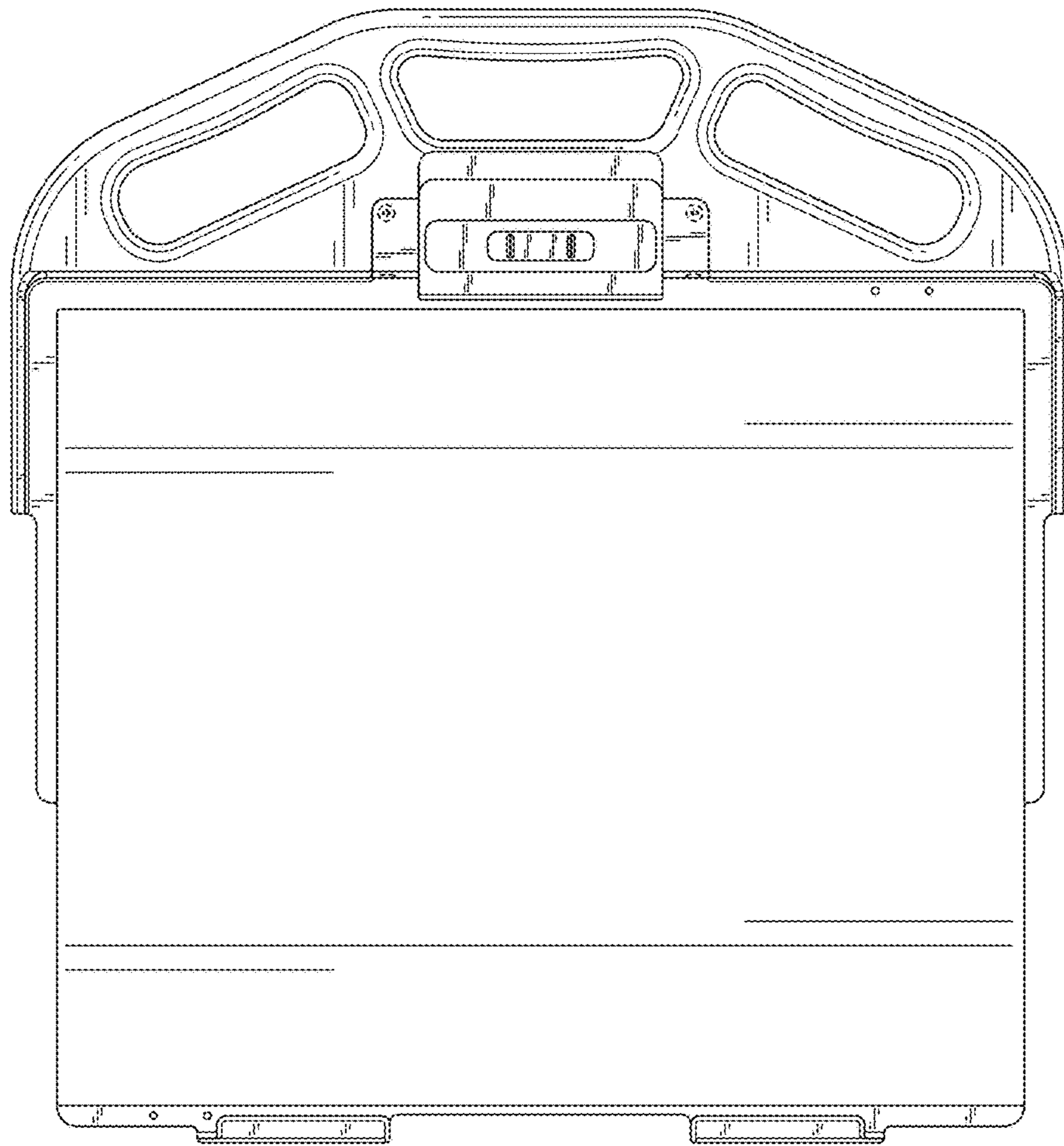


FIG. 2



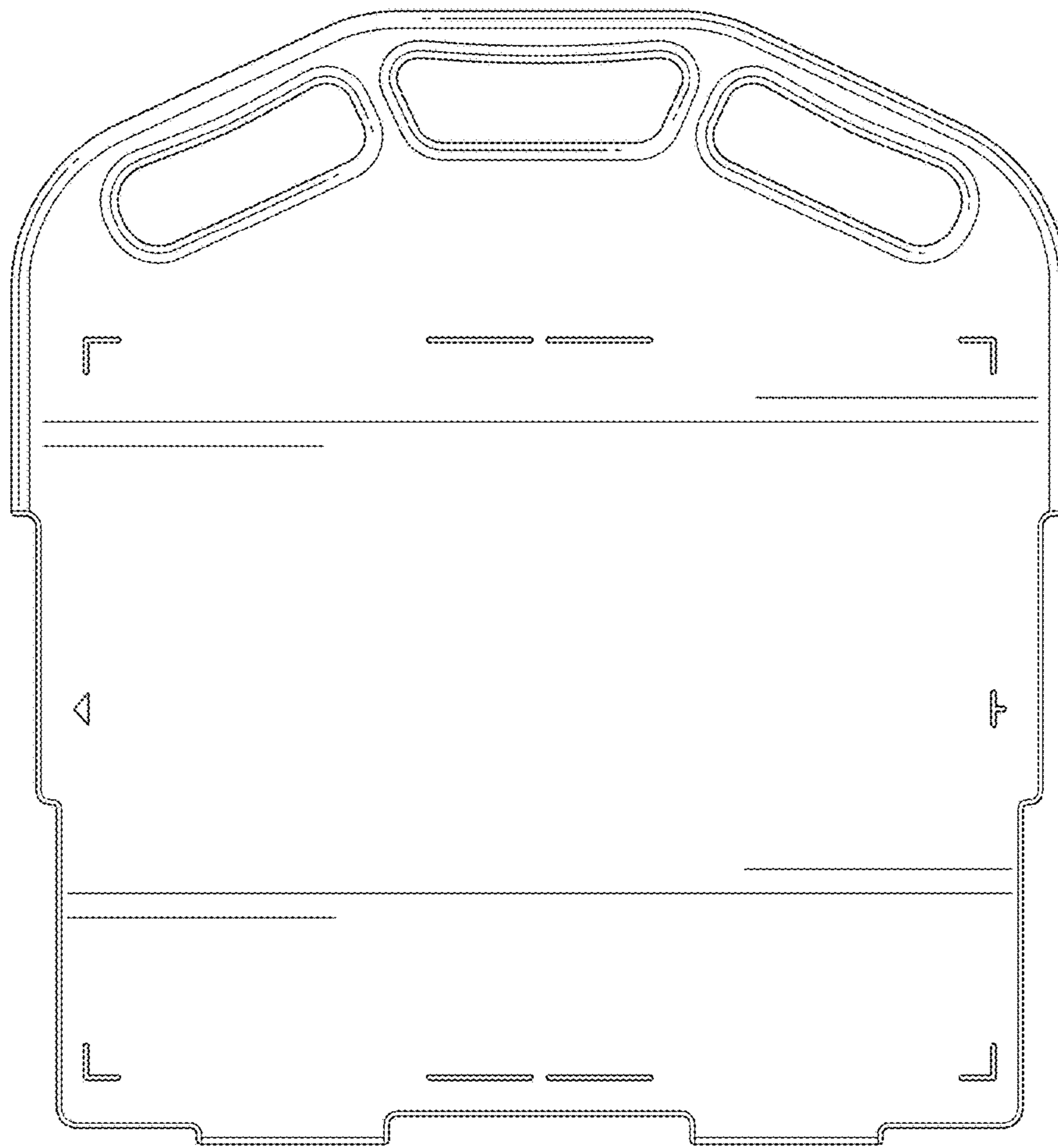


FIG. 3

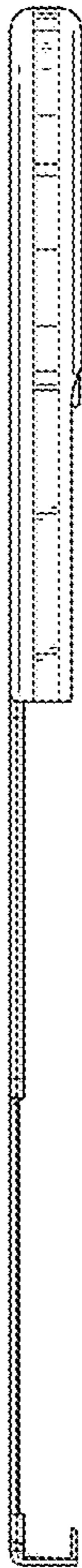


FIG. 4



FIG. 5



FIG. 6



FIG. 7

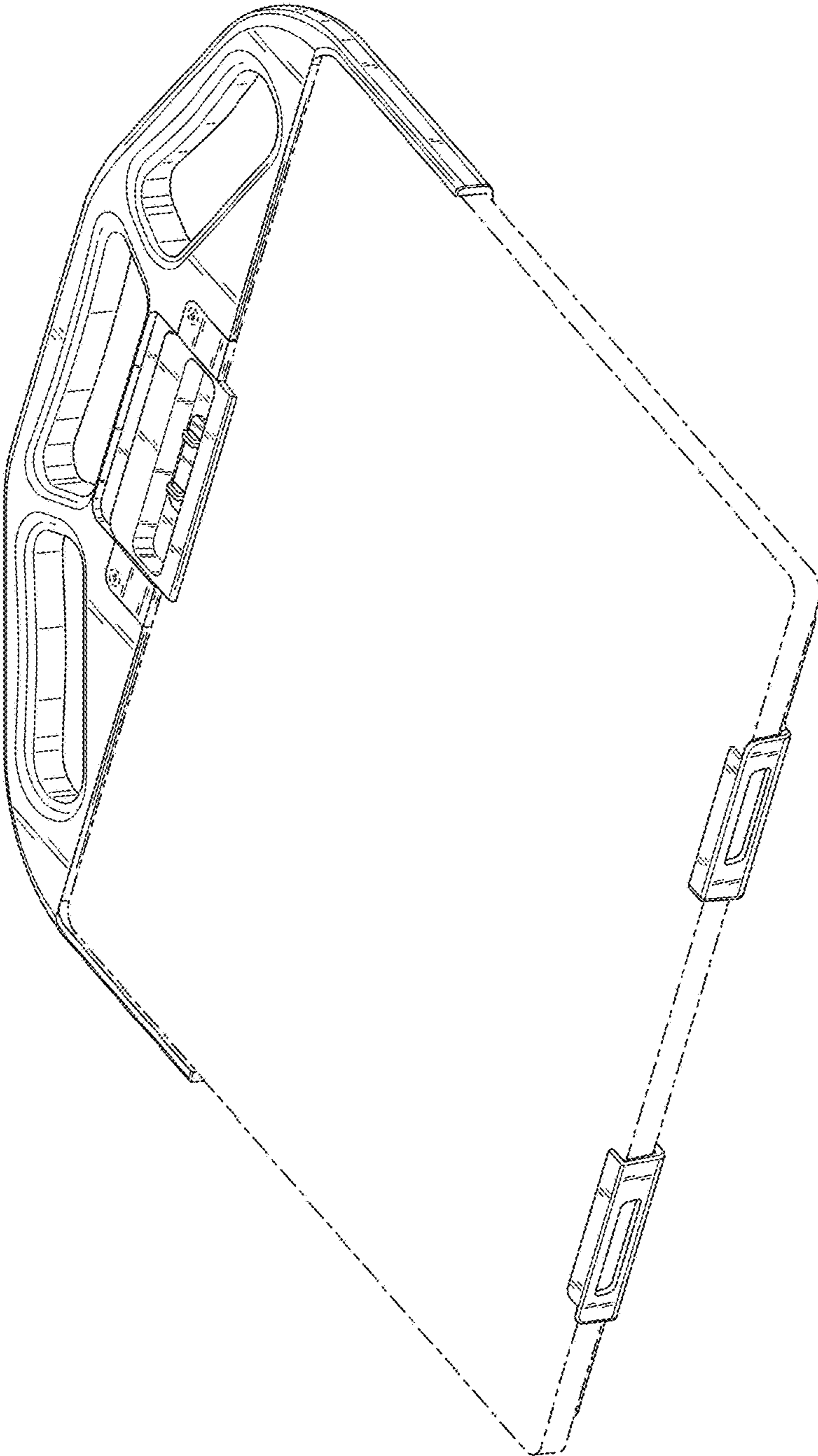


FIG. 8



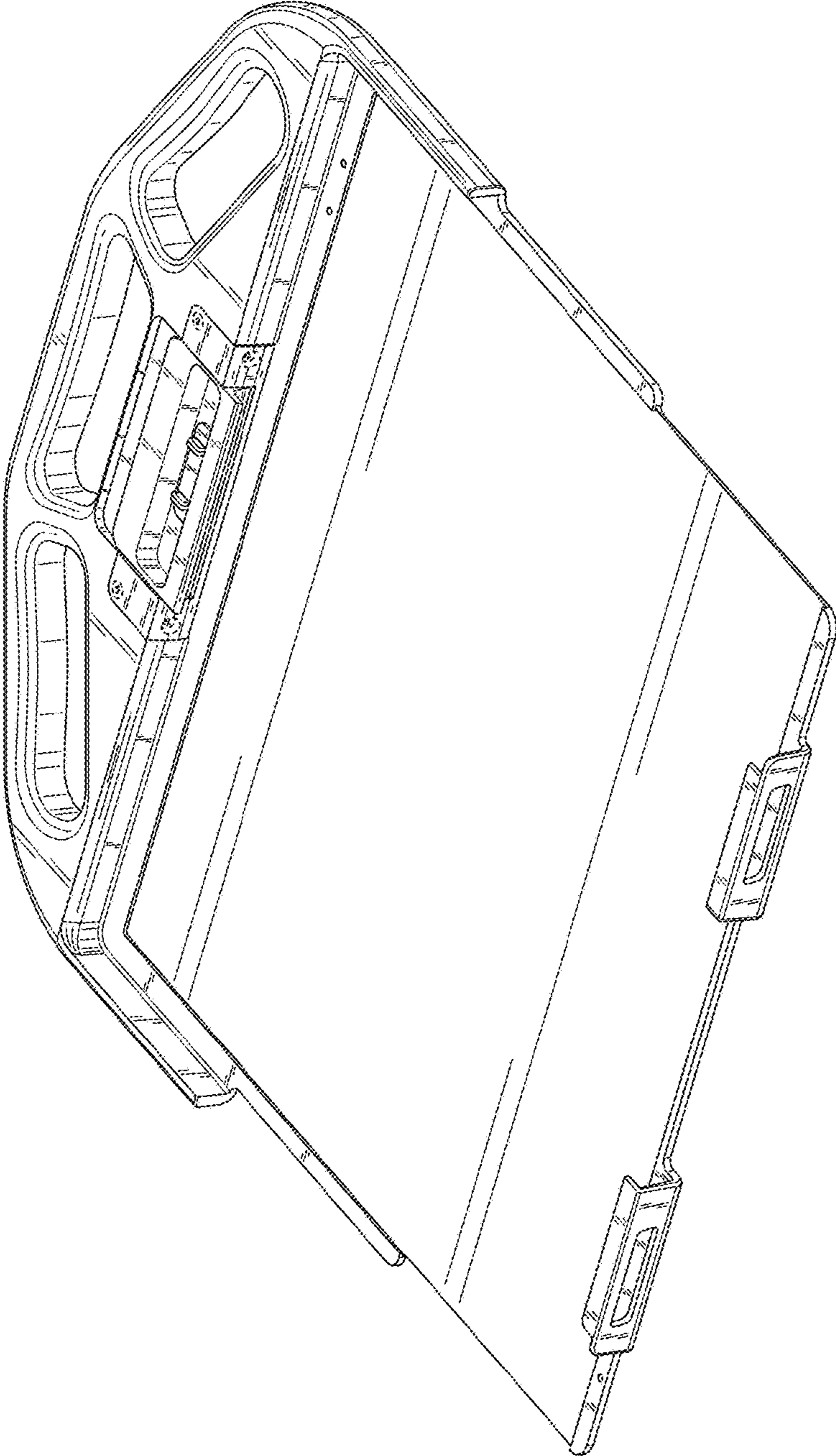


FIG. 9

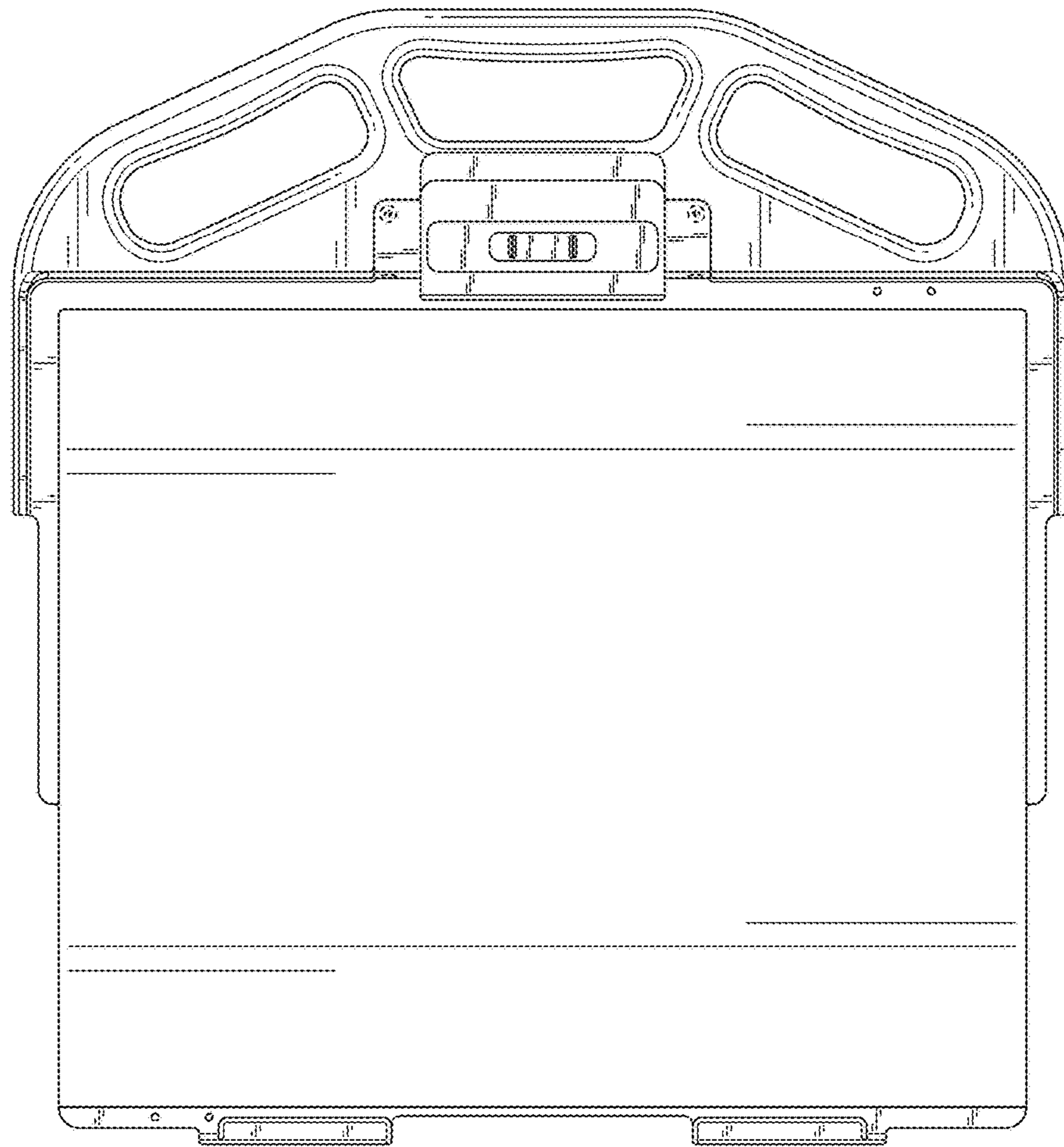


FIG. 10

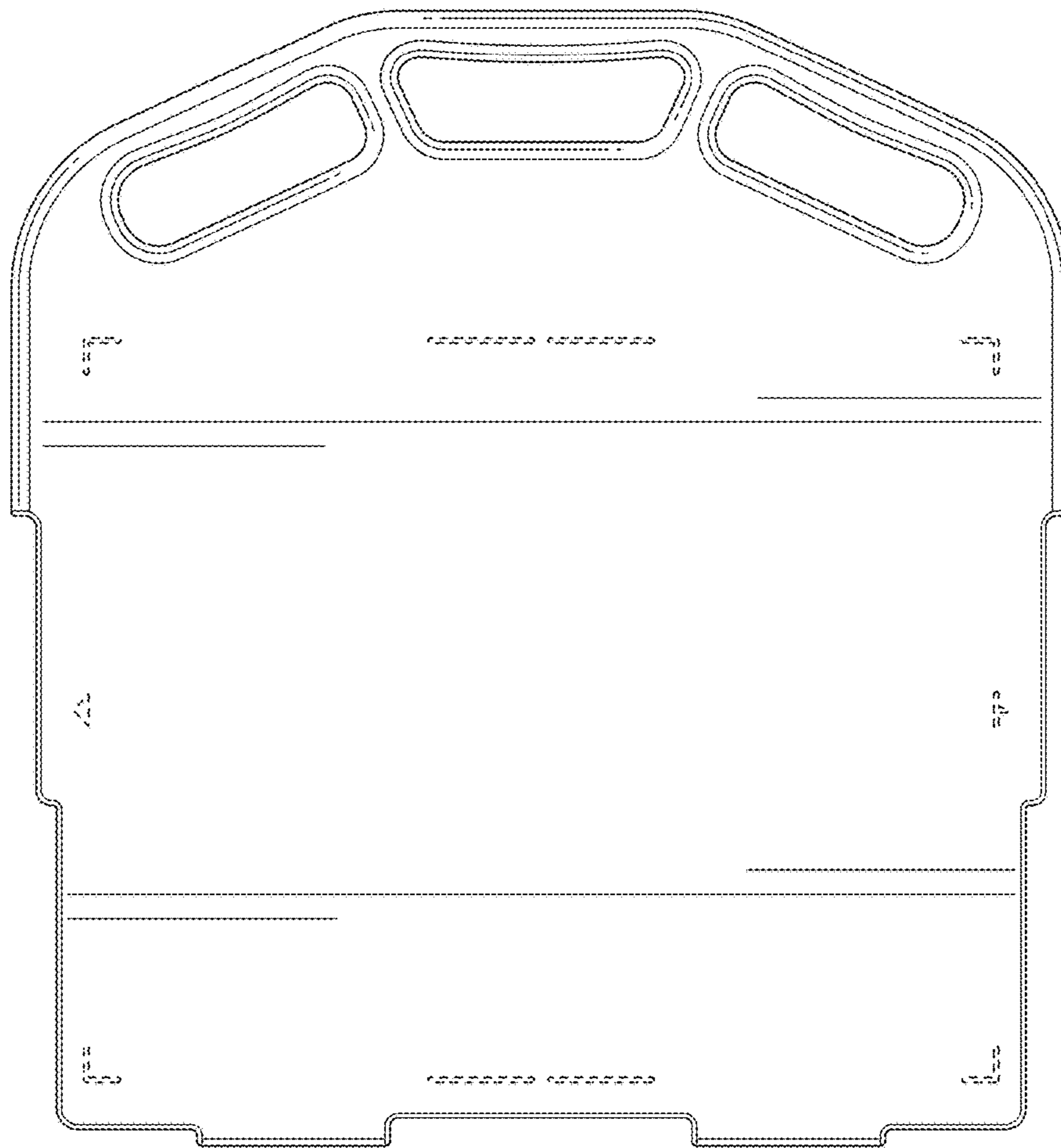


FIG. 11

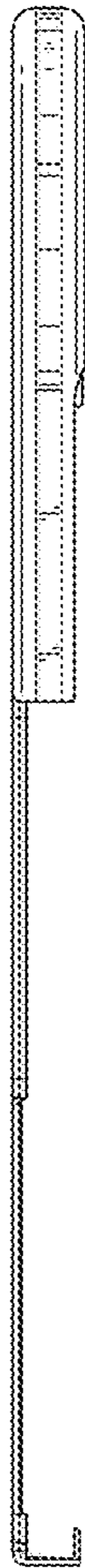


FIG. 12



FIG. 13

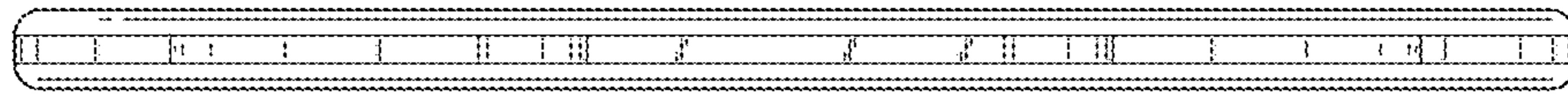


FIG. 14

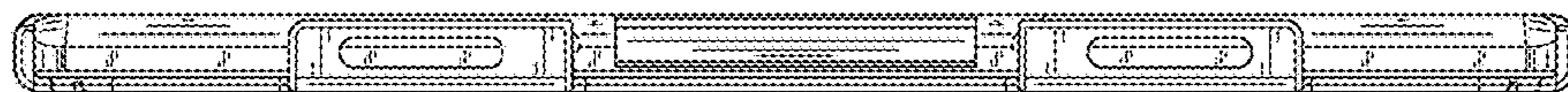


FIG. 15



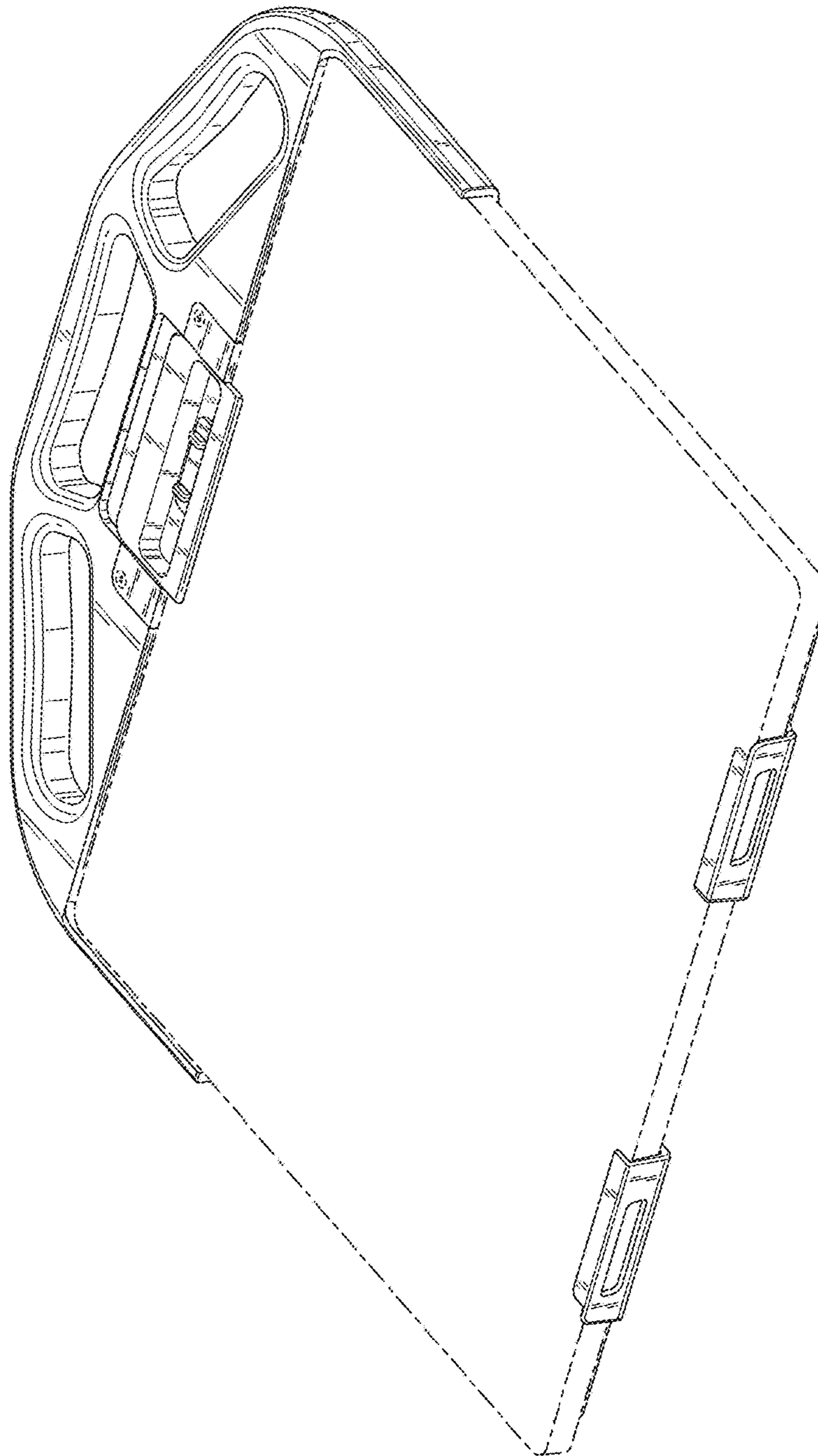


FIG. 16