



US00D864393S

(12) **United States Design Patent** (10) **Patent No.:** **US D864,393 S**
Chang (45) **Date of Patent:** **** Oct. 22, 2019**

(54) **MAGNETIC RESONANCE TOMOGRAPHY
DIAGNOSIS APPARATUS**

D785,181 S * 4/2017 Grosshauser D24/158
D785,182 S * 4/2017 Grosshauser D24/158
D785,801 S * 5/2017 Grosshauser D24/158
D794,798 S * 8/2017 Grosshauser D24/158

(71) Applicant: **Canon Medical Systems Corporation,**
Otagawa-shi, Tochigi (JP)

(Continued)

(72) Inventor: **Shianwei Chang,** Kawasaki (JP)

FOREIGN PATENT DOCUMENTS

(73) Assignee: **Canon Medical Systems Corporation,**
Otagawa-shi (JP)

CN 303730461 6/2016
CN 303827769 8/2016

(Continued)

(**) Term: **15 Years**

Primary Examiner — Anhdao Doan

(21) Appl. No.: **29/641,572**

(74) *Attorney, Agent, or Firm* — Finnegan, Henderson,
Farabow, Garrett & Dunner LLP

(22) Filed: **Mar. 22, 2018**

(57) **CLAIM**

(30) **Foreign Application Priority Data**

The ornamental design for a magnetic resonance tomogra-
phy diagnosis apparatus, as shown and described.

Oct. 24, 2017 (JP) 2017-023515

DESCRIPTION

(51) **LOC (12) Cl.** **24-01**

(52) **U.S. Cl.**
USPC **D24/158**

(58) **Field of Classification Search**
USPC D24/107, 158–161, 185, 186, 187, 231;
D13/162, 168, 171; D14/388, 443
CPC .. A61B 6/03; A61B 6/035; A61B 5/05; A61B
5/055; A61N 2005/1054; A61N
2005/1055; A61N 2005/1074; A61N 5/01;
A61N 5/10; A61N 5/1081; A61N 5/1084
See application file for complete search history.

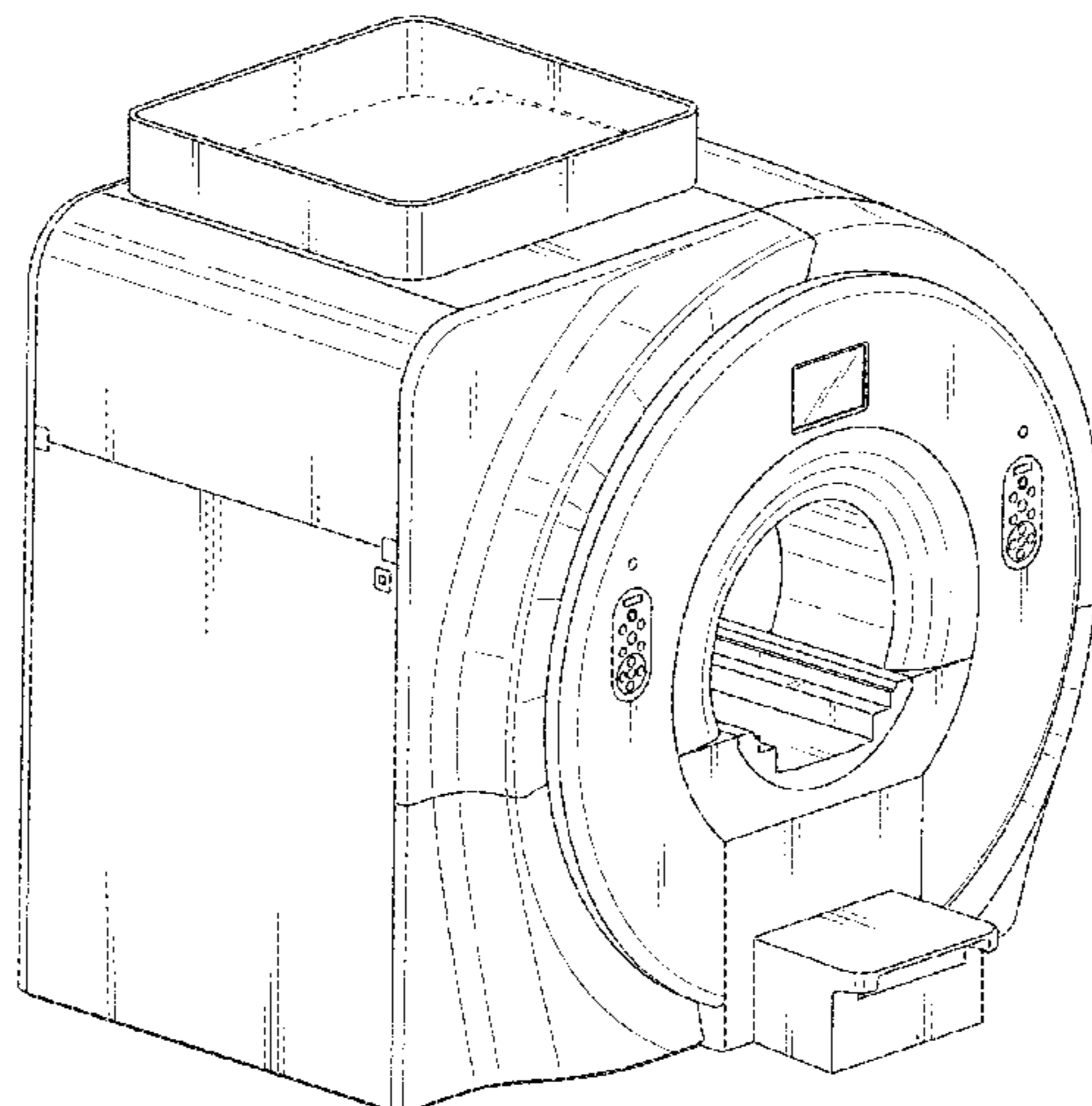
FIG. 1 is a front perspective view of a magnetic resonance
tomography diagnosis apparatus showing my new design;
FIG. 2 is a rear perspective view thereof;
FIG. 3 is a front elevational view thereof;
FIG. 4 is a rear elevational view thereof;
FIG. 5 is a top plan view thereof;
FIG. 6 is a bottom plan view thereof;
FIG. 7 is a left side elevational view thereof;
FIG. 8 is a right side elevational view thereof;
FIG. 9 is a sectional view taken along line 9-9 as shown in
FIG. 3 with internal mechanism being omitted thereof; and,
FIG. 10 is a sectional view taken along line 10-10 as shown
in FIG. 3 with internal mechanism being omitted thereof.
The broken lines immediately adjacent the shaded areas
represent the bounds of the claim, while all other broken
lines are directed to environment and are for illustrative
purposes only; the broken lines form no part of the claimed
design.

(56) **References Cited**

U.S. PATENT DOCUMENTS

D701,309 S 3/2014 Ohmukai
D715,945 S * 10/2014 Zhang D24/159
D738,505 S * 9/2015 Eberler D24/158
D758,587 S * 6/2016 Eberler D24/158
D785,180 S 4/2017 Avranches et al.

1 Claim, 10 Drawing Sheets



(56)

References Cited

U.S. PATENT DOCUMENTS

D794,799 S * 8/2017 Achleitner D24/158
D806,878 S * 1/2018 Chang D24/158

FOREIGN PATENT DOCUMENTS

JP	1282246	9/2006
JP	1282248	9/2006
JP	1359834	3/2010
JP	1439213	4/2012
JP	1439215	4/2012
JP	1456737	12/2012
JP	1456980	12/2012
JP	1562665	11/2016
JP	1562666	11/2016
KR	30-0757665	8/2014
KR	30-0777156	12/2014

* cited by examiner

Fig. 1

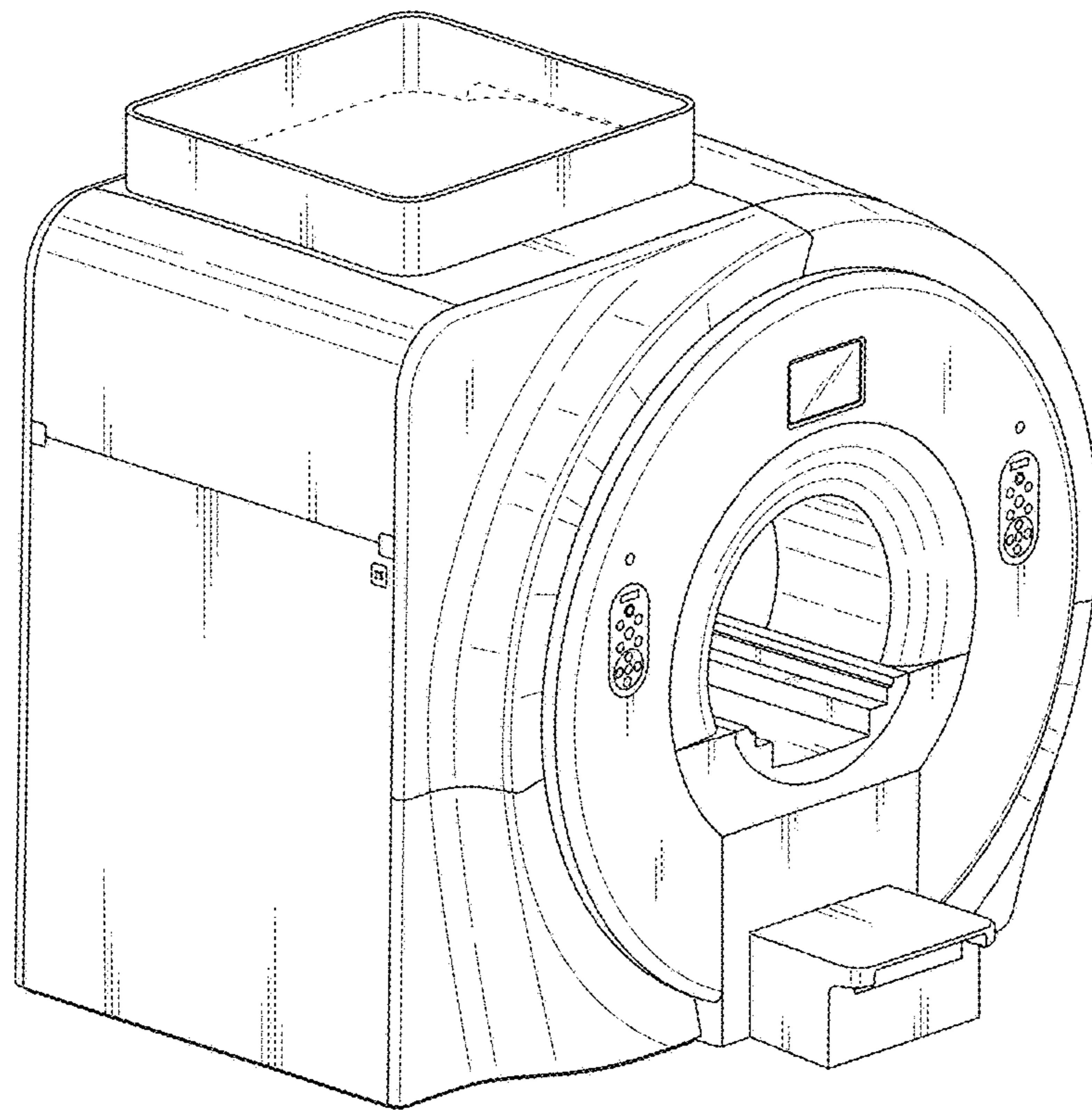


Fig. 2

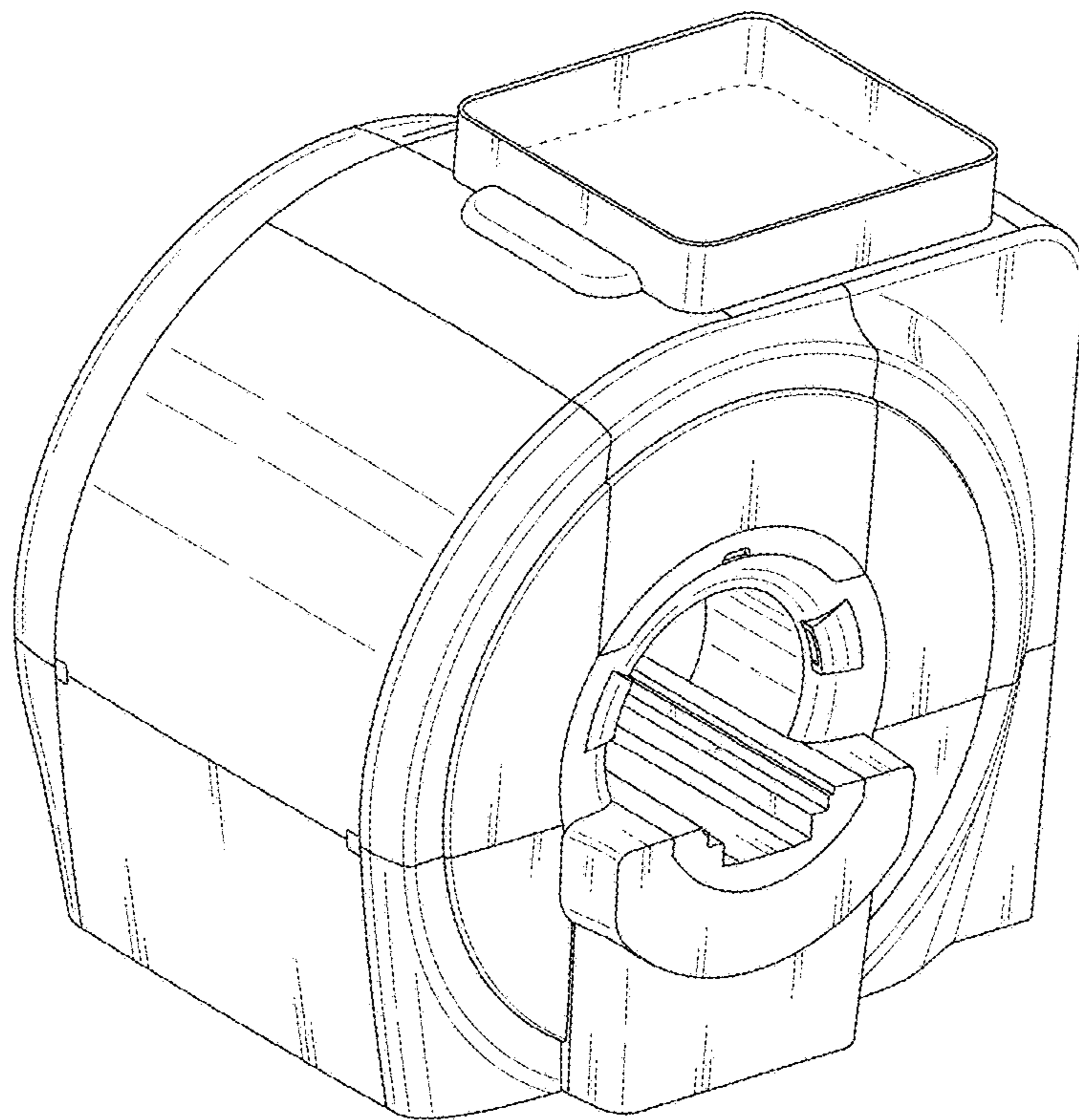


Fig. 3

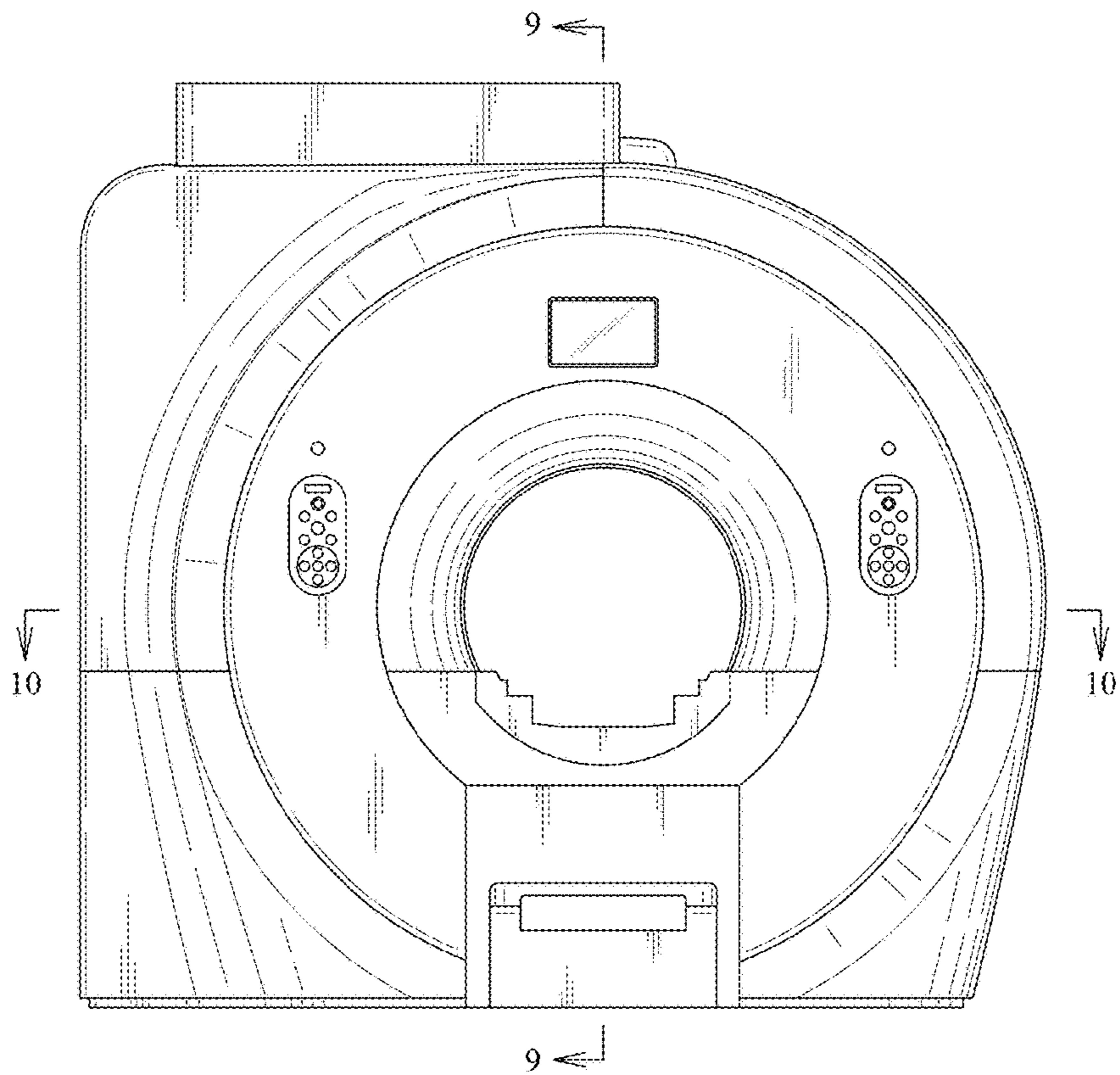


Fig. 4

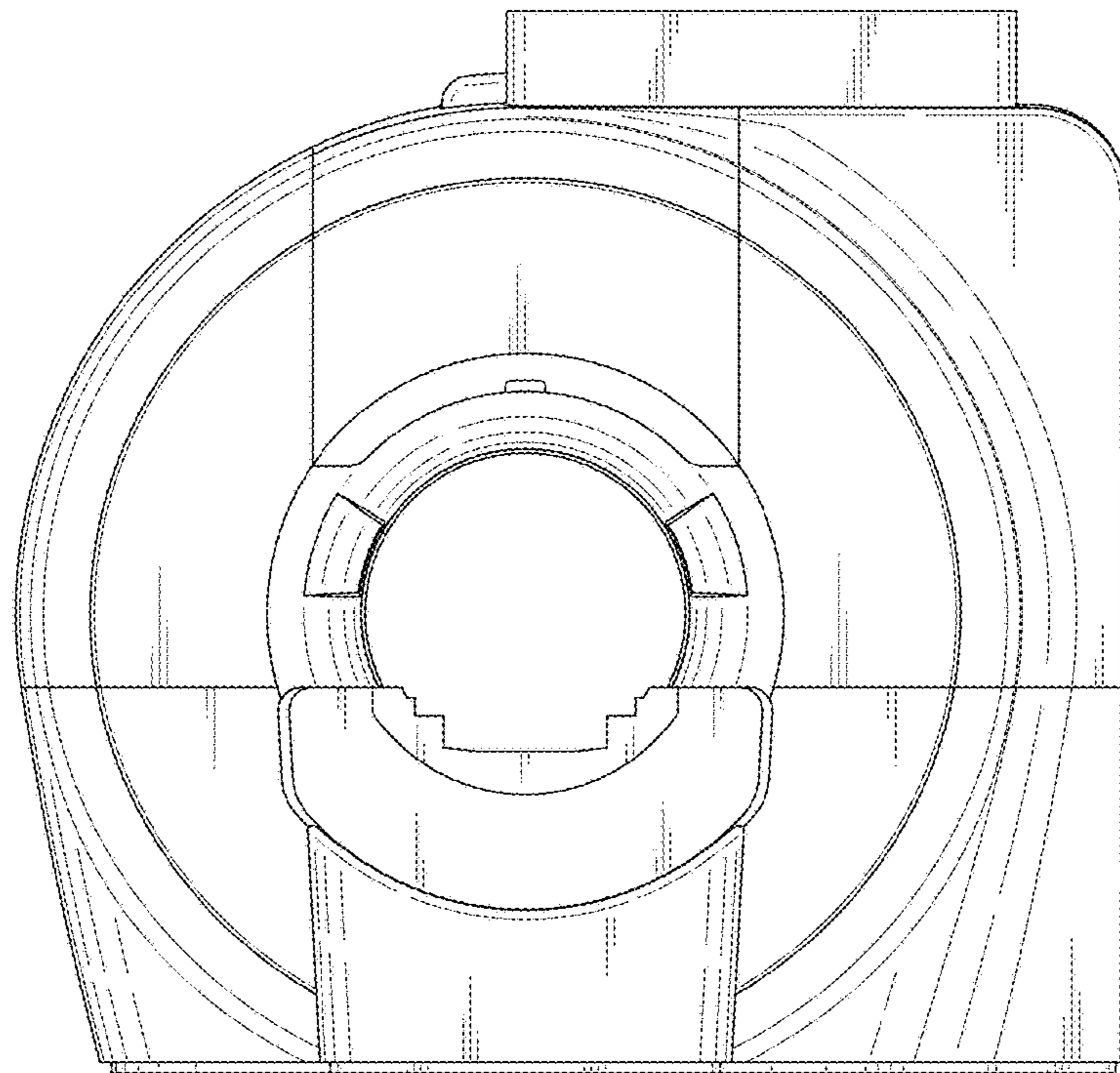


Fig. 5

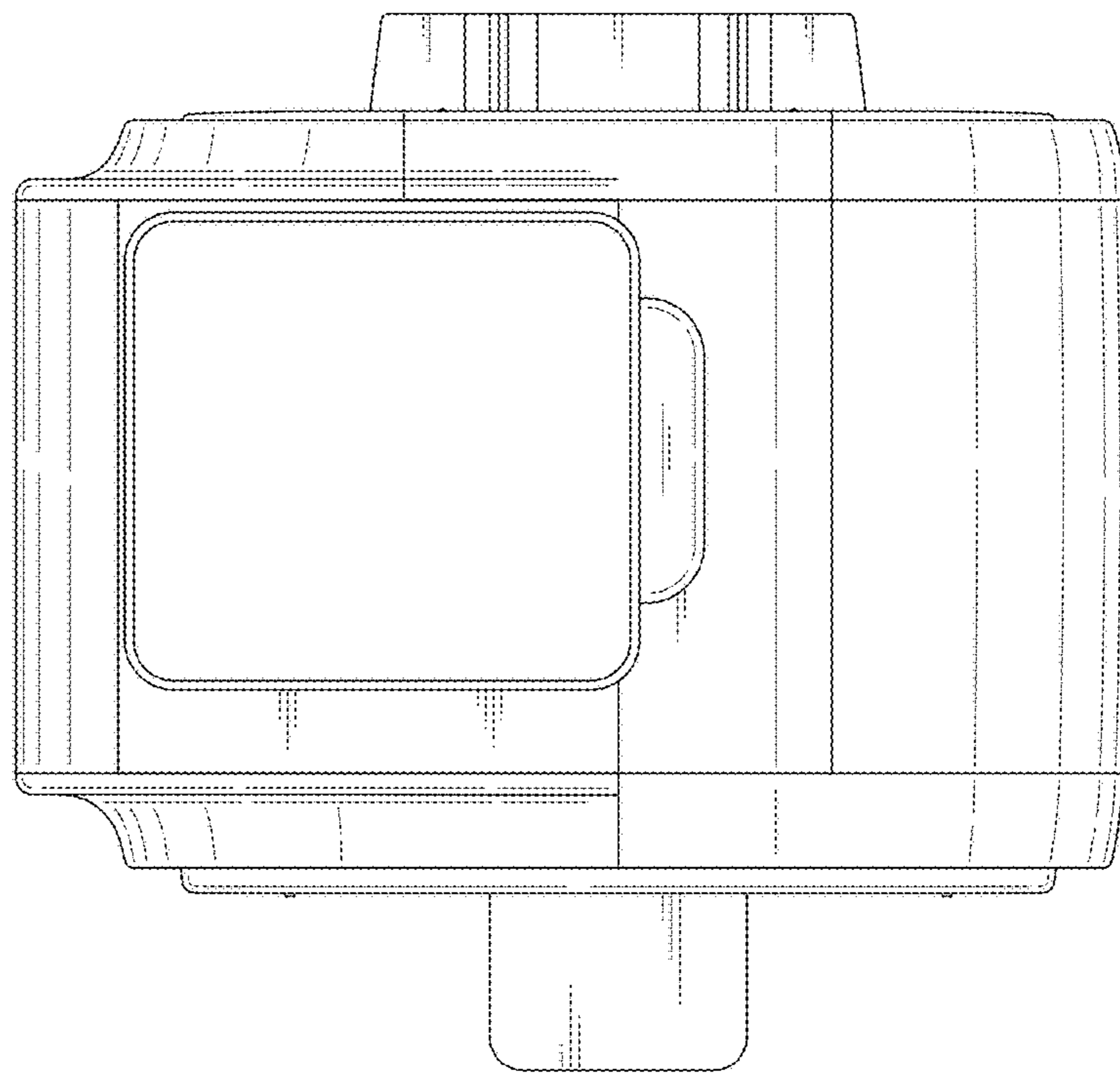


Fig. 6

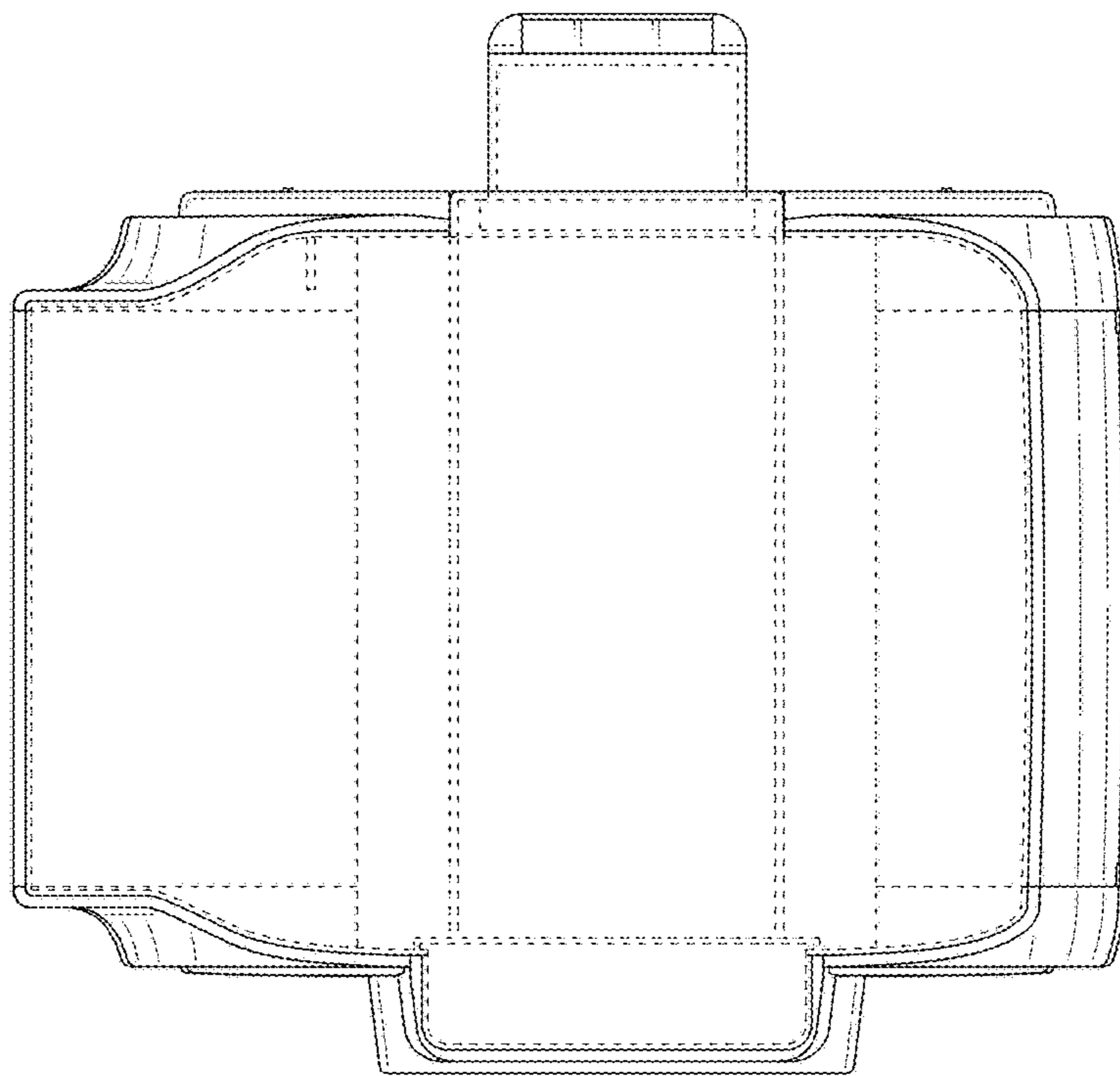


Fig. 7

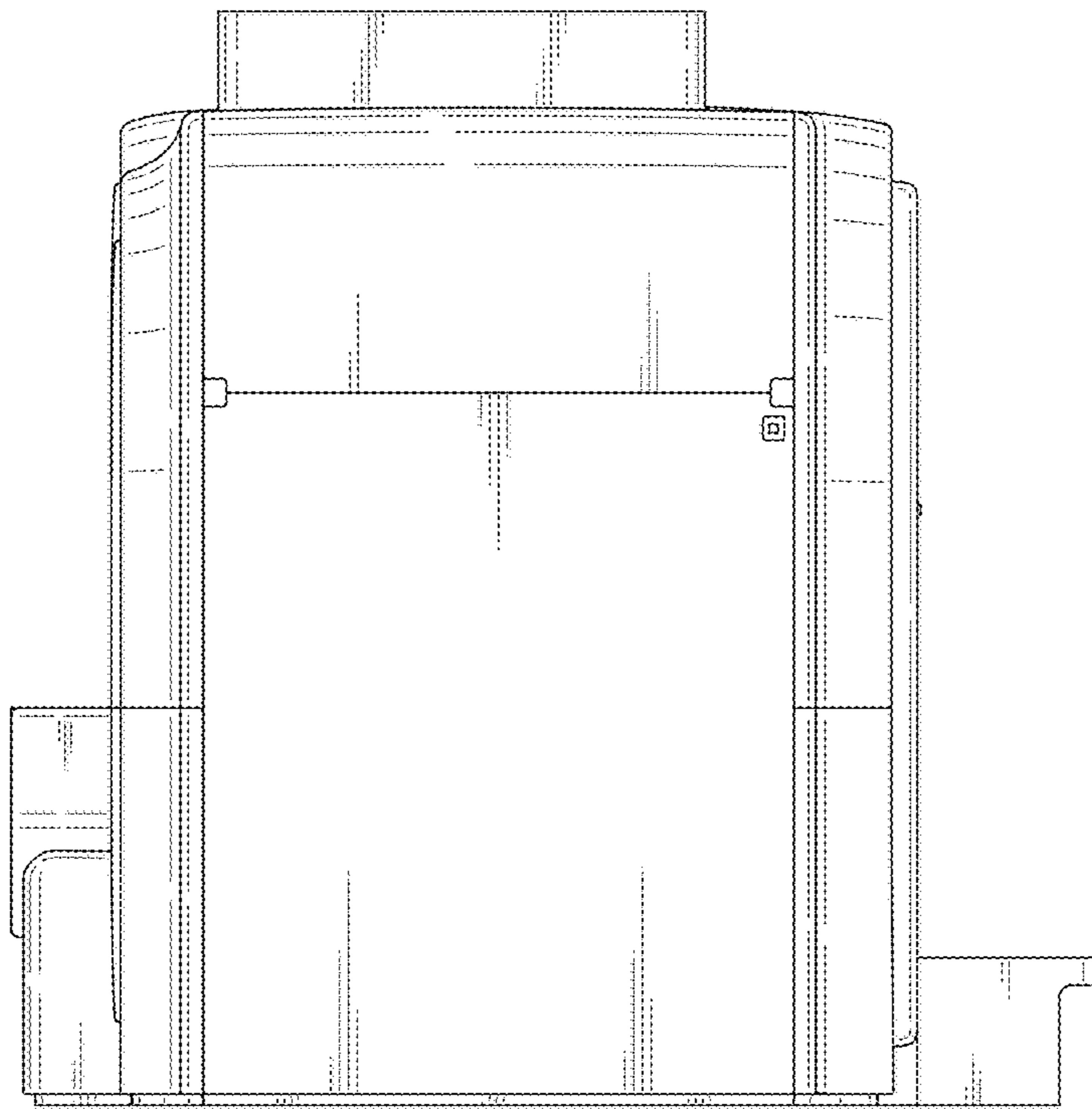


Fig. 8

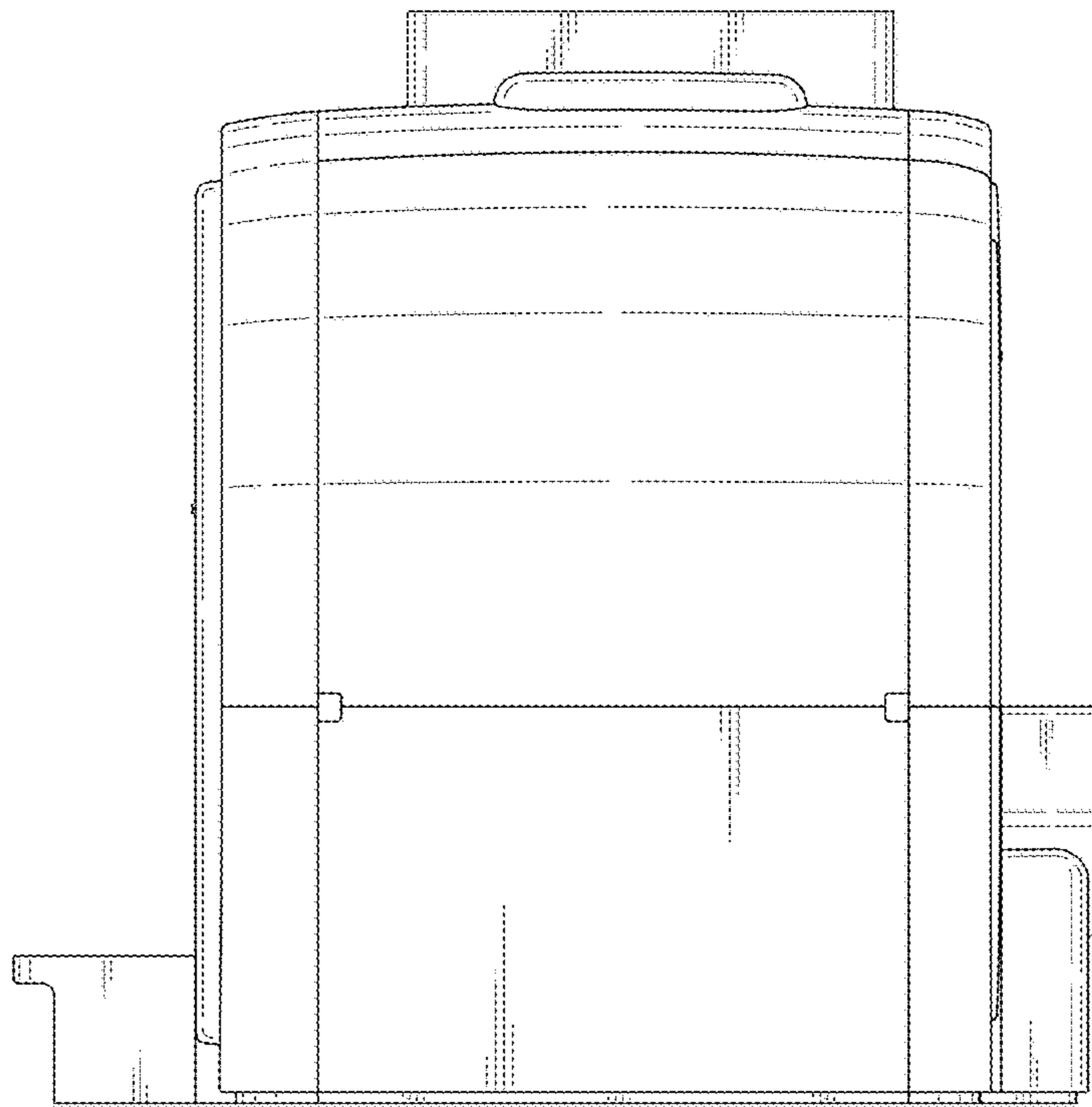


Fig. 9

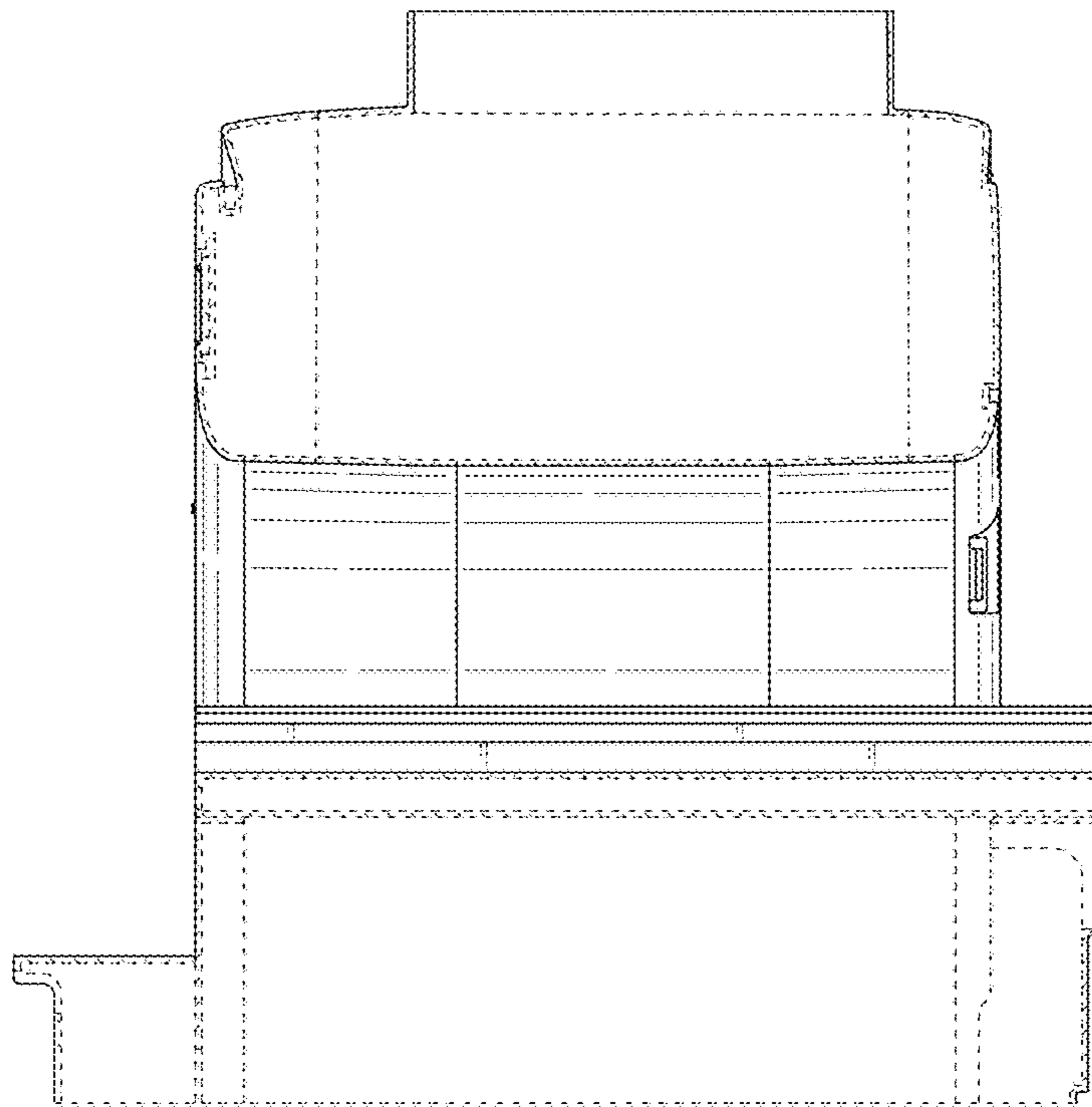


Fig. 10

