

US00D864391S

(12) **United States Design Patent** (10) **Patent No.:** **US D864,391 S**  
**Sweeney et al.** (45) **Date of Patent:** **\*\* Oct. 22, 2019**

(54) **INTRAOSSEOUS STYLET**  
(71) Applicant: **Spinal Generations, LLC**, Mokena, IL (US)  
(72) Inventors: **Patrick J. Sweeney**, Flossmoor, IL (US); **Matthew V. Leyden**, St. Paul, MN (US)  
(73) Assignee: **Spinal Generations, LLC**, Mokena, IL (US)  
(\*\*) Term: **15 Years**  
(21) Appl. No.: **29/629,860**  
(22) Filed: **Dec. 15, 2017**  
(51) **LOC (12) Cl.** ..... **24-02**  
(52) **U.S. Cl.**  
USPC ..... **D24/146**  
(58) **Field of Classification Search**  
USPC ..... D24/108, 112, 113, 114, 127, 130, 133, D24/146, 147, 148, 155, 156, 157; D7/649, 693, 694, 695, 696; D8/93, 97, D8/300, 310, 311, 313, 349, 382, 387, D8/388, 393, 397, 399; D19/110, 115  
CPC .. B26B 3/00; B26B 1/10; B26B 5/005; A61B 17/089; A61B 17/1617; A61B 17/3211; A61B 17/1411; A61B 17/3417  
See application file for complete search history.

D611,511 S \* 3/2010 Anitua Aldecoa ..... D15/139  
D620,108 S 7/2010 Eitenmueller et al.  
D639,645 S \* 6/2011 Carrillo, Sr. .... D8/387  
8,062,270 B2 11/2011 Sweeney  
D715,431 S 10/2014 Vonck et al.  
D727,499 S \* 4/2015 Schad ..... D24/146  
D728,098 S \* 4/2015 Schad ..... D24/146  
(Continued)

**OTHER PUBLICATIONS**

Notice of Allowance on U.S. Appl. No. 29/629,855 dated Mar. 15, 2019.  
(Continued)

*Primary Examiner* — Cathron C Brooks  
*Assistant Examiner* — Samantha Q Lawrence  
(74) *Attorney, Agent, or Firm* — Foley & Lardner LLP

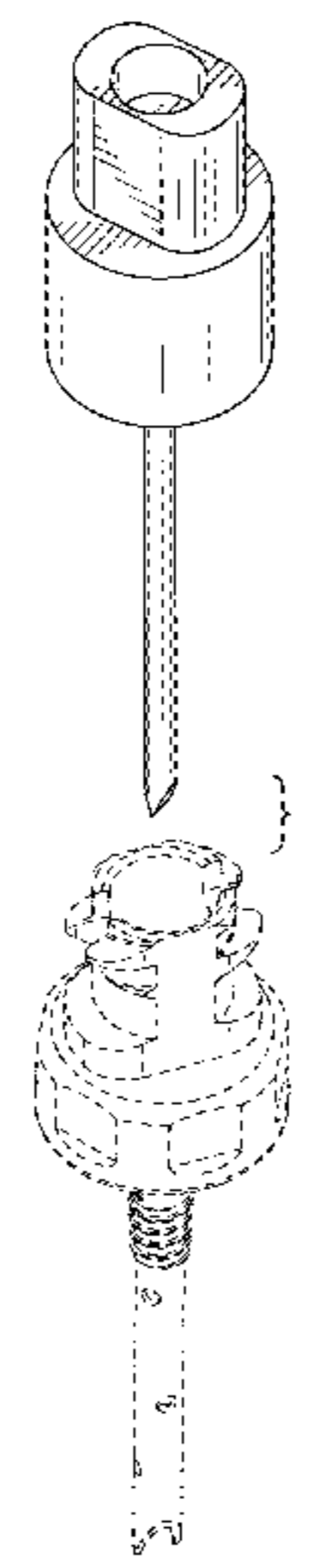
(57) **CLAIM**  
We claim the ornamental design for an intraosseous stylet, as shown and described.

**DESCRIPTION**

FIG. 1 is a front, left perspective view of an intraosseous stylet.  
FIG. 2 is a front, right exploded perspective view of the claimed design of FIG. 1;  
FIG. 3 is a front elevation view of the claimed design of FIG. 1;  
FIG. 4 is a rear elevation view of the claimed design of FIG. 1;  
FIG. 5 is a right side view of the claimed design of FIG. 1;  
FIG. 6 is a left side view of the claimed design of FIG. 1;  
FIG. 7 is a top view of the claimed design of FIG. 1; and, FIG. 8 is a bottom view of the claimed design of FIG. 1.  
The broken lines shown in FIGS. 1, 2, and 8 illustrate portions of the intraosseous stylet that form no part of the claimed design.

**1 Claim, 5 Drawing Sheets**

(56) **References Cited**  
**U.S. PATENT DOCUMENTS**  
D30,319 S \* 3/1899 Senderling ..... D8/387  
D263,875 S \* 4/1982 Genese ..... D24/112  
5,662,615 A \* 9/1997 Blake, III ..... A61B 17/3462  
604/167.06  
D417,139 S \* 11/1999 Pitre ..... D8/387  
6,408,918 B1 \* 6/2002 Hummell ..... B32B 38/1841  
156/391  
D469,871 S \* 2/2003 Sand ..... D24/133



(56)

**References Cited**

U.S. PATENT DOCUMENTS

D728,099	S	*	4/2015	Schad .....	D24/146
D737,973	S	*	9/2015	Nagele .....	D24/146
D740,420	S	*	10/2015	Spycher .....	D24/146
D744,649	S	*	12/2015	Brannon .....	D24/146
D748,788	S	*	2/2016	Brannon .....	D24/146
D749,217	S		2/2016	Brannon	
D773,926	S		12/2016	Sweeney	
D774,635	S		12/2016	Kruska et al.	
D778,443	S	*	2/2017	Brannon .....	D24/147
D786,433	S		5/2017	Seaver et al.	
D790,700	S		6/2017	Zhou et al.	
D794,791	S		8/2017	Zhou et al.	
D798,701	S	*	10/2017	Hill .....	F16B 35/00 D8/397
D801,796	S		11/2017	Sweeney	
D802,763	S	*	11/2017	Sweitzer .....	D24/146
D813,389	S		3/2018	Zhou et al.	
D814,033	S		3/2018	Fuchs et al.	
D818,812	S	*	5/2018	Schrawder .....	D8/397
D830,820	S		10/2018	Sweeney	
D831,213	S	*	10/2018	Kuun .....	D24/147
D831,475	S		10/2018	Sweeney	
D831,476	S		10/2018	Sweeney	
D836,976	S	*	1/2019	Reese .....	D7/396.2
2009/0092462	A1	*	4/2009	Pratt .....	F16B 13/066 411/368

OTHER PUBLICATIONS

Restriction Requirement on U.S. Appl. No. 29/629,855 dated Dec. 31, 2018.

\* cited by examiner

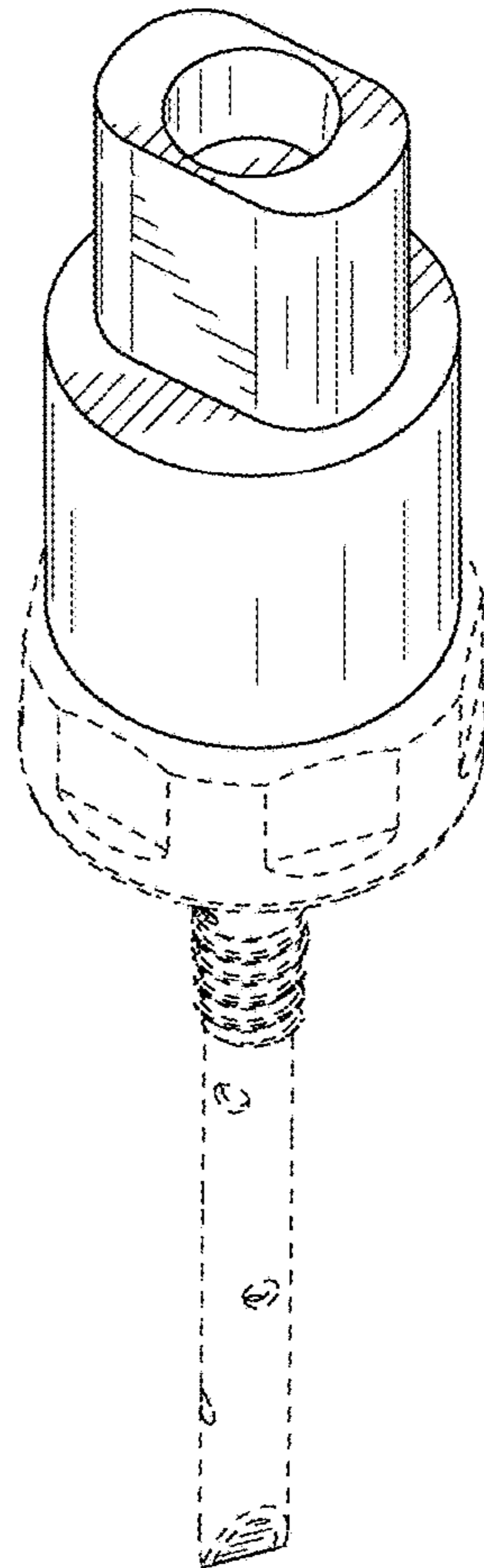


FIG. 1

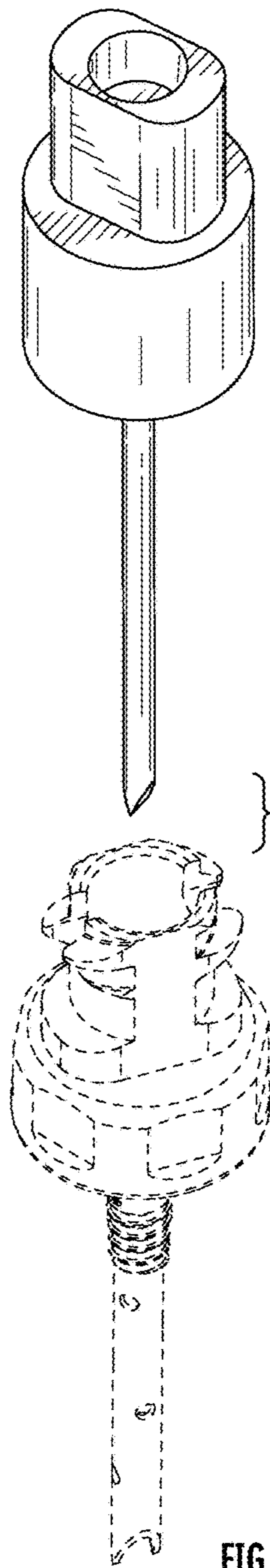


FIG. 2

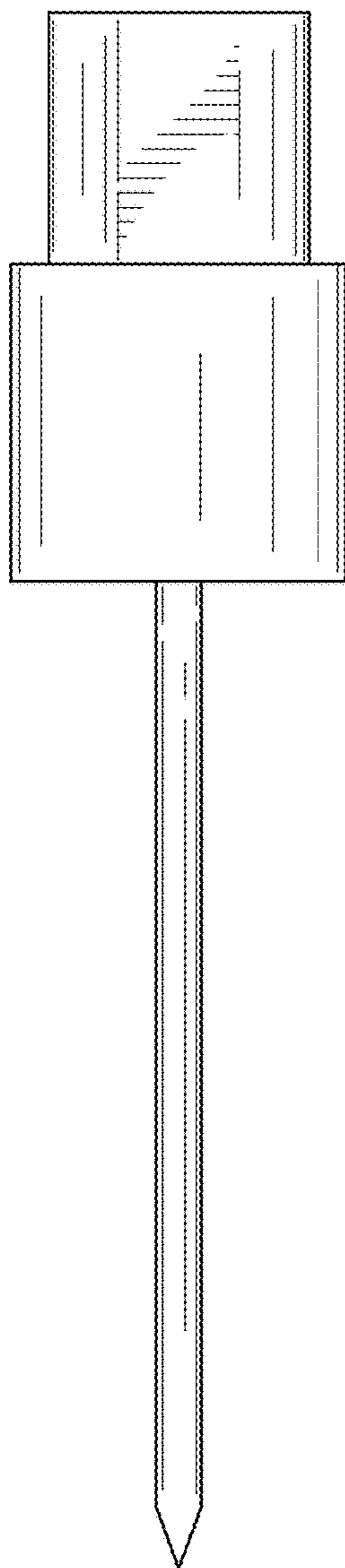


FIG. 3

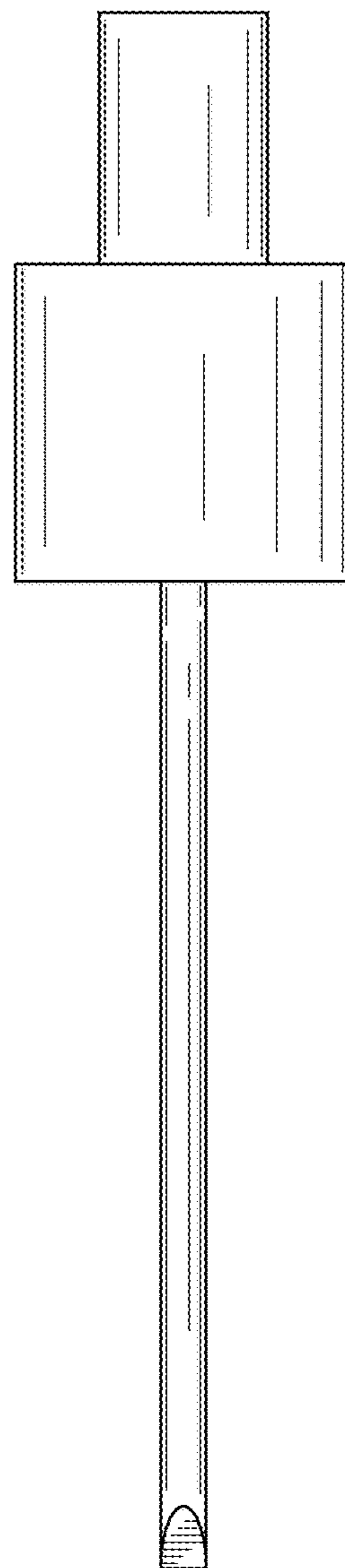


FIG. 4

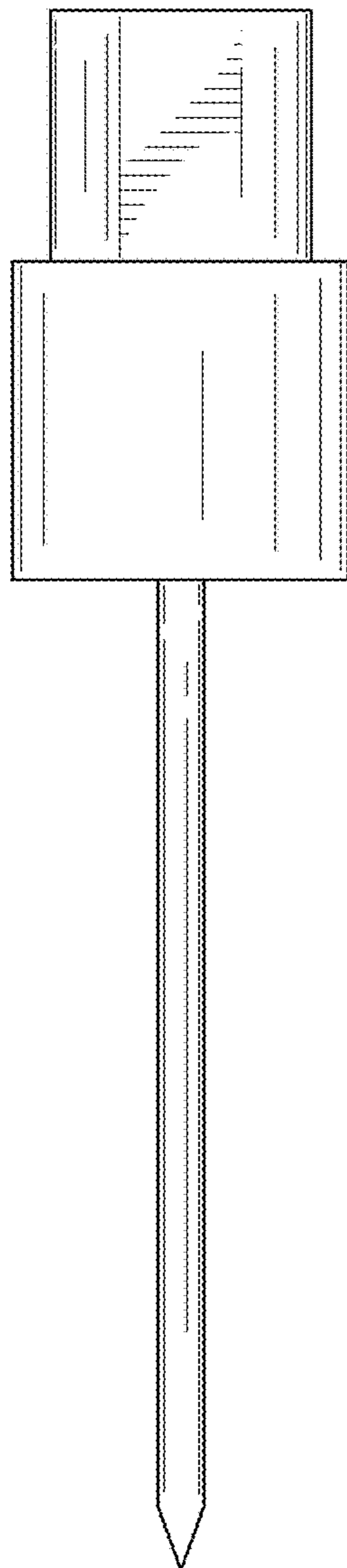


FIG. 5

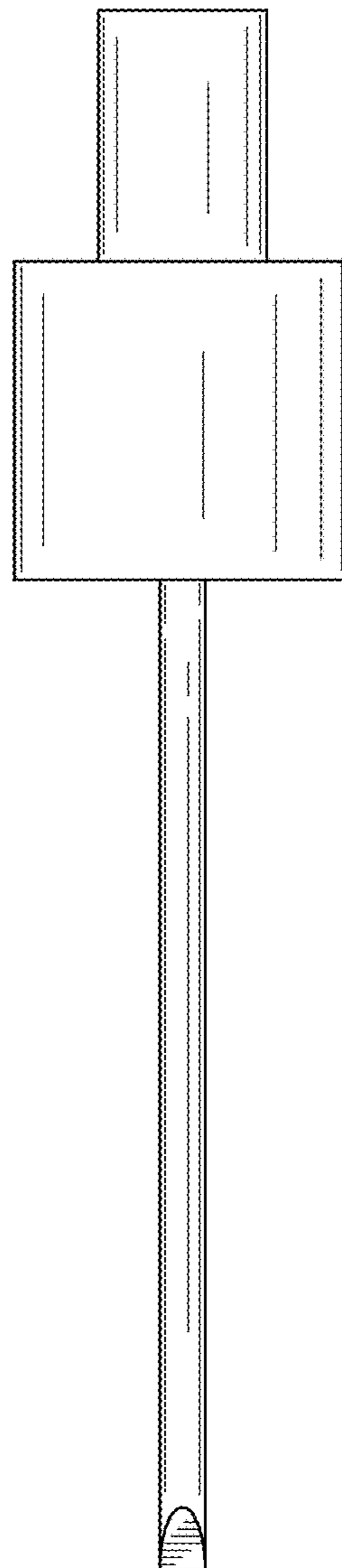


FIG. 6

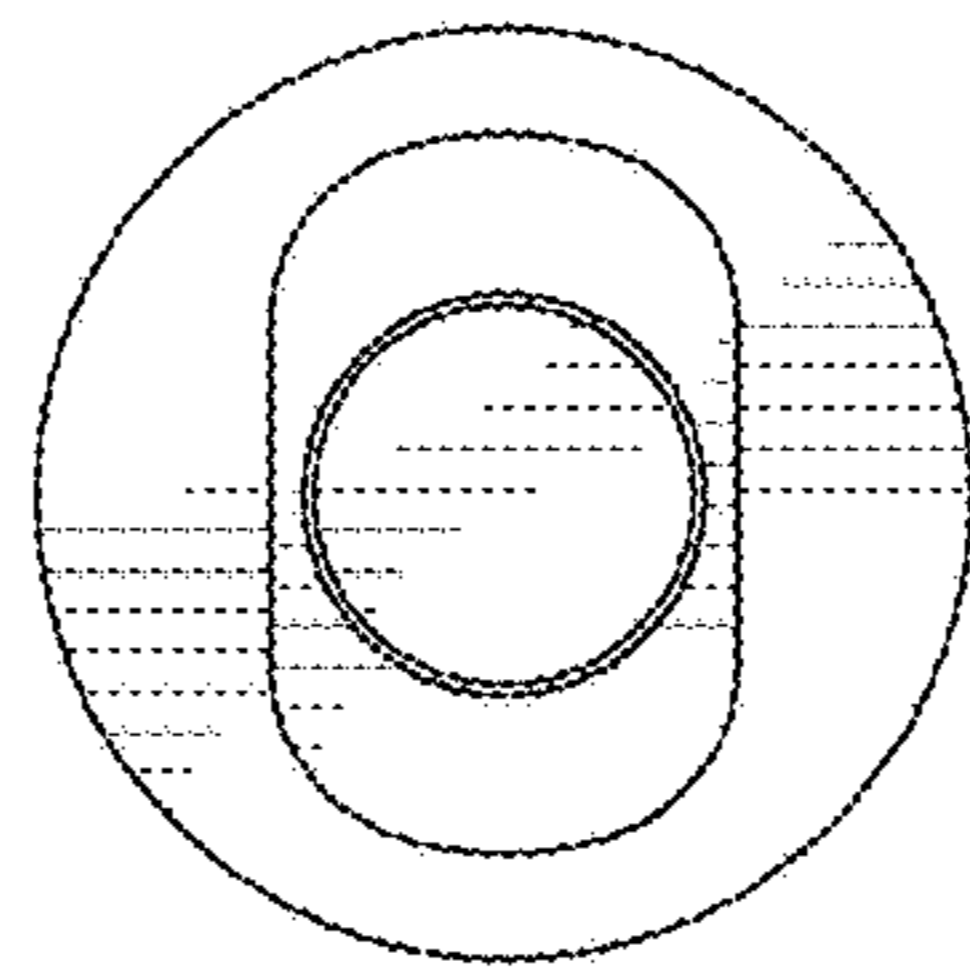


FIG. 7

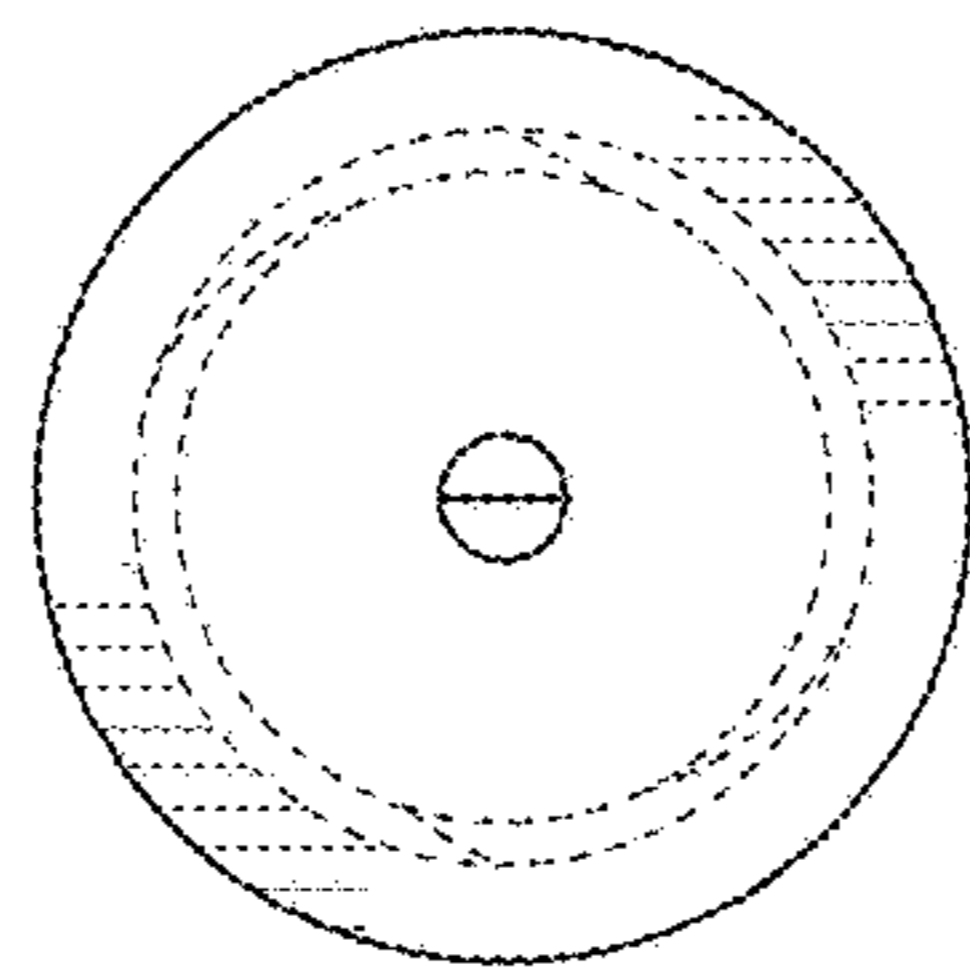


FIG. 8