



US00D864388S

(12) **United States Design Patent** (10) **Patent No.:** **US D864,388 S**
Barber (45) **Date of Patent:** **** Oct. 22, 2019**

(54) **INSTRUMENT UNIT**

(71) Applicant: **avateramedical GmbH**, Jena (DE)

(72) Inventor: **Stephan Barber**, Weingarten (DE)

(73) Assignee: **avateramedical GmbH**, Jena (DE)

(**) Term: **15 Years**

(21) Appl. No.: **29/568,585**

(22) Filed: **Jun. 20, 2016**

(30) **Foreign Application Priority Data**

Dec. 21, 2015 (EM) 002917336-0001
Dec. 21, 2015 (EM) 002917336-0002

(51) **LOC (12) Cl.** **24-02**

(52) **U.S. Cl.**
USPC **D24/133**

(58) **Field of Classification Search**
USPC D24/133, 135, 138, 141, 143, 144, 145,
D24/146

CPC A61B 34/35; A61B 17/00; A61B 34/30;
A61B 17/00234; A61B 18/1445; A61B
17/0469; A61B 17/07207; A61B 34/76
See application file for complete search history.

(56) **References Cited**

U.S. PATENT DOCUMENTS

D353,457 S * 12/1994 Nicholas D24/133
7,367,973 B2 * 5/2008 Manzo A61B 18/14
604/22
D582,552 S * 12/2008 Berberich D24/133
D745,670 S * 12/2015 Czupalla D24/138
D747,802 S * 1/2016 Freigang D24/133
D748,254 S * 1/2016 Freigang D24/133
D775,729 S * 1/2017 Mujwid D24/146
D798,445 S * 9/2017 Heni D24/133
D803,396 S * 11/2017 Oberkircher D24/133

2012/0179153 A1 * 7/2012 Privitera A61B 18/1442
606/33
2014/0180309 A1 * 6/2014 Seeber B25J 18/007
606/130
2015/0313676 A1 * 11/2015 Deodhar A61B 17/295
606/130
2017/0135695 A1 * 5/2017 Shelton, IV A61B 17/07207
2017/0181804 A1 * 6/2017 Manzo A61B 34/71
2017/0333065 A1 * 11/2017 Brisson A61B 17/295
2017/0348063 A1 * 12/2017 Braun A61B 34/30

(Continued)

OTHER PUBLICATIONS

Avatera—A New Robot from Germany. SURGROB: Surgical Robot-
ics here and there. Date published: Aug. 22, 2016. Retrieved from
internet: <<http://surgrob.blogspot.com/2016/08/avatera-new-robot-from-germany.html>> (Year: 2016).*

Primary Examiner — Lilyana Bekic

(74) *Attorney, Agent, or Firm* — Harness, Dickey &
Pierce, P.L.C.

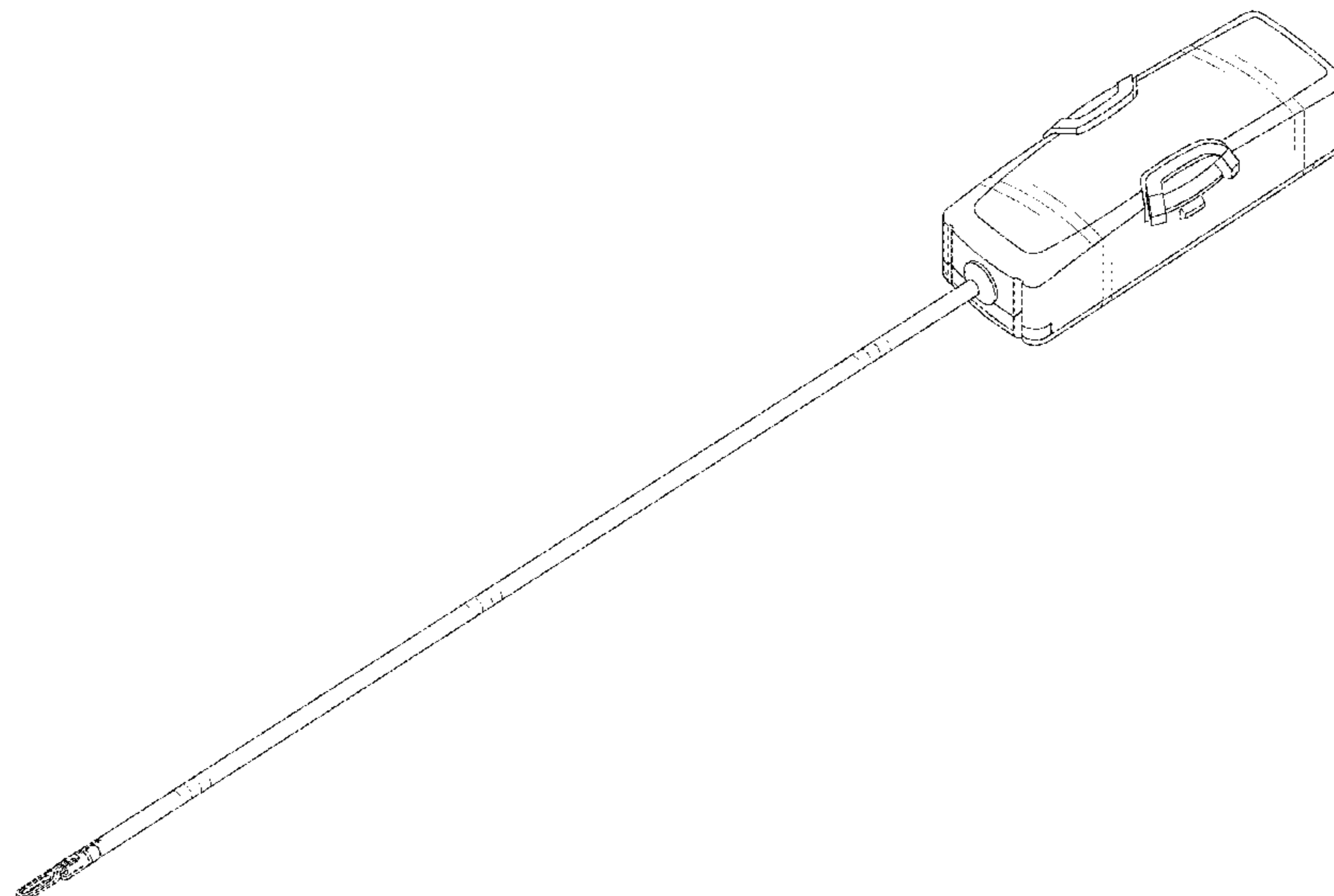
(57) **CLAIM**

The ornamental design for an instrument unit, as shown and
described.

DESCRIPTION

FIG. 1 is a top left side perspective view of an instrument
unit showing my new design;
FIG. 2 is a front elevational view thereof;
FIG. 3 is a rear elevational view thereof;
FIG. 4 is an enlarged left side elevational view thereof;
FIG. 5 is an enlarged right side elevational view thereof;
FIG. 6 is a top plan view thereof; and,
FIG. 7 is a bottom plan view thereof.
The broken lines showing the tip in FIGS. 1-4 and 6-7 depict
environmental structure that forms no part of the claimed
design. All other broken lines depict portions of the instru-
ment unit that form no part of the claimed design.

1 Claim, 3 Drawing Sheets



(56)

References Cited

U.S. PATENT DOCUMENTS

2018/0070942 A1* 3/2018 Shelton, IV A61B 17/07207
2018/0214222 A1* 8/2018 Blumenkranz A61B 90/10

* cited by examiner

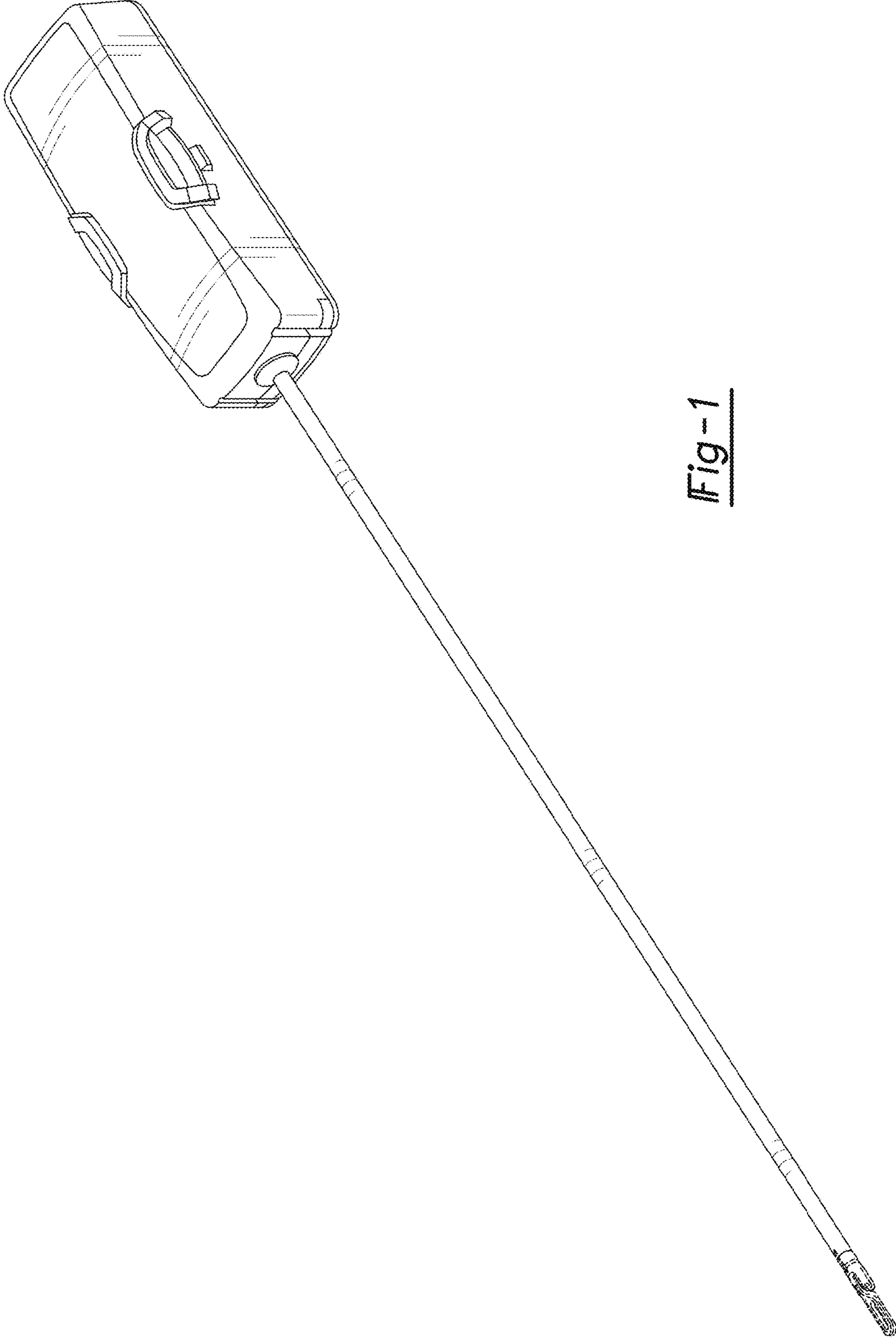


Fig-1

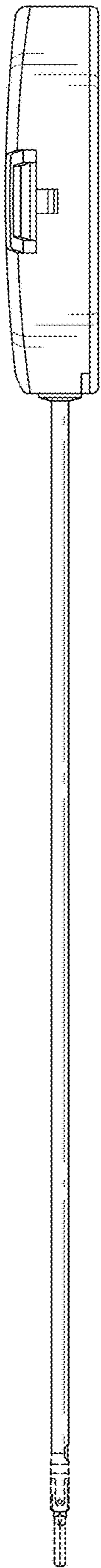


Fig-2

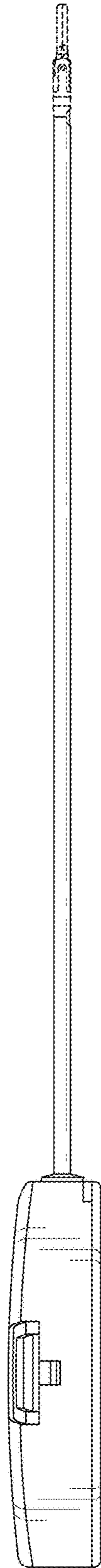


Fig-3

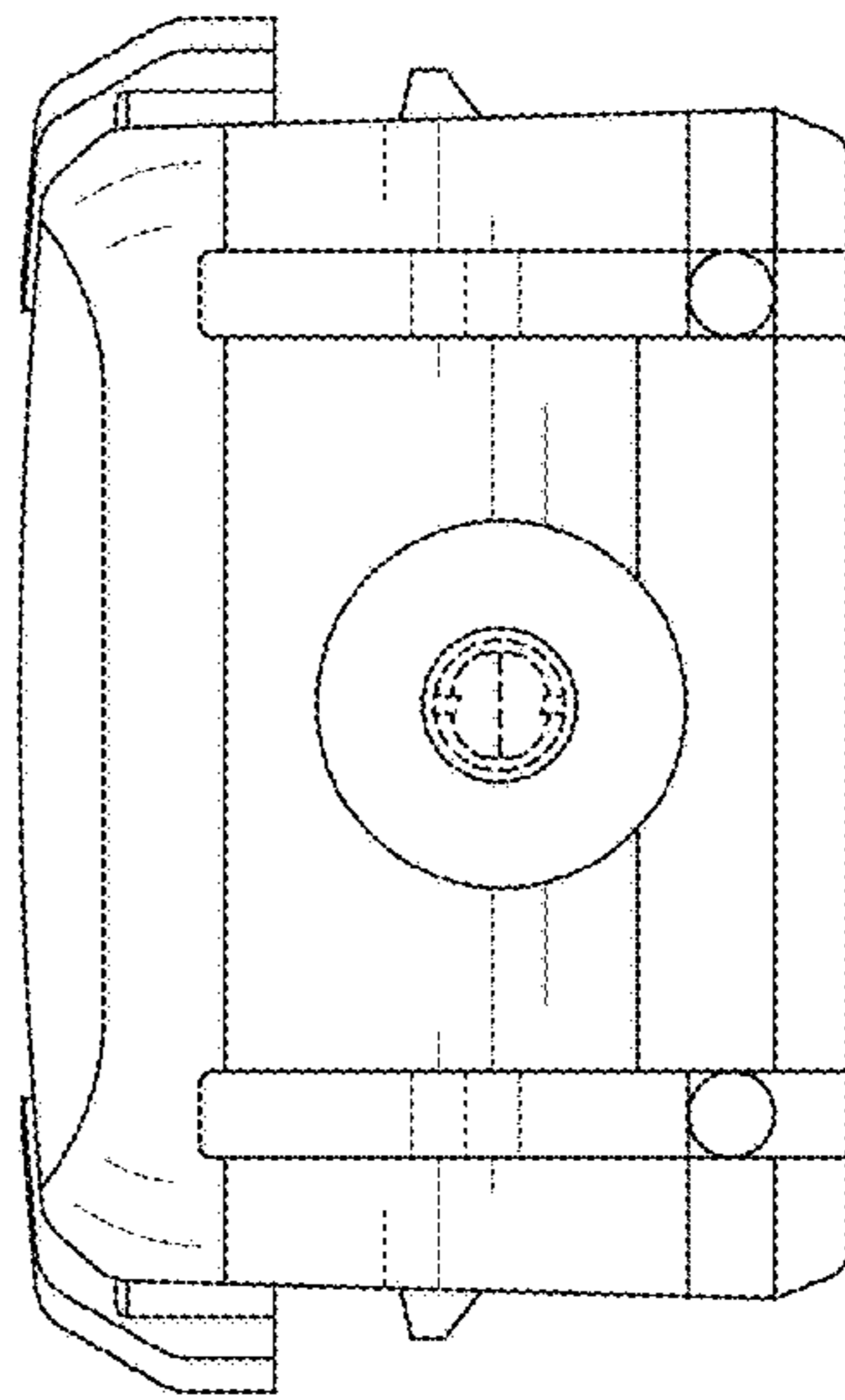


Fig-4

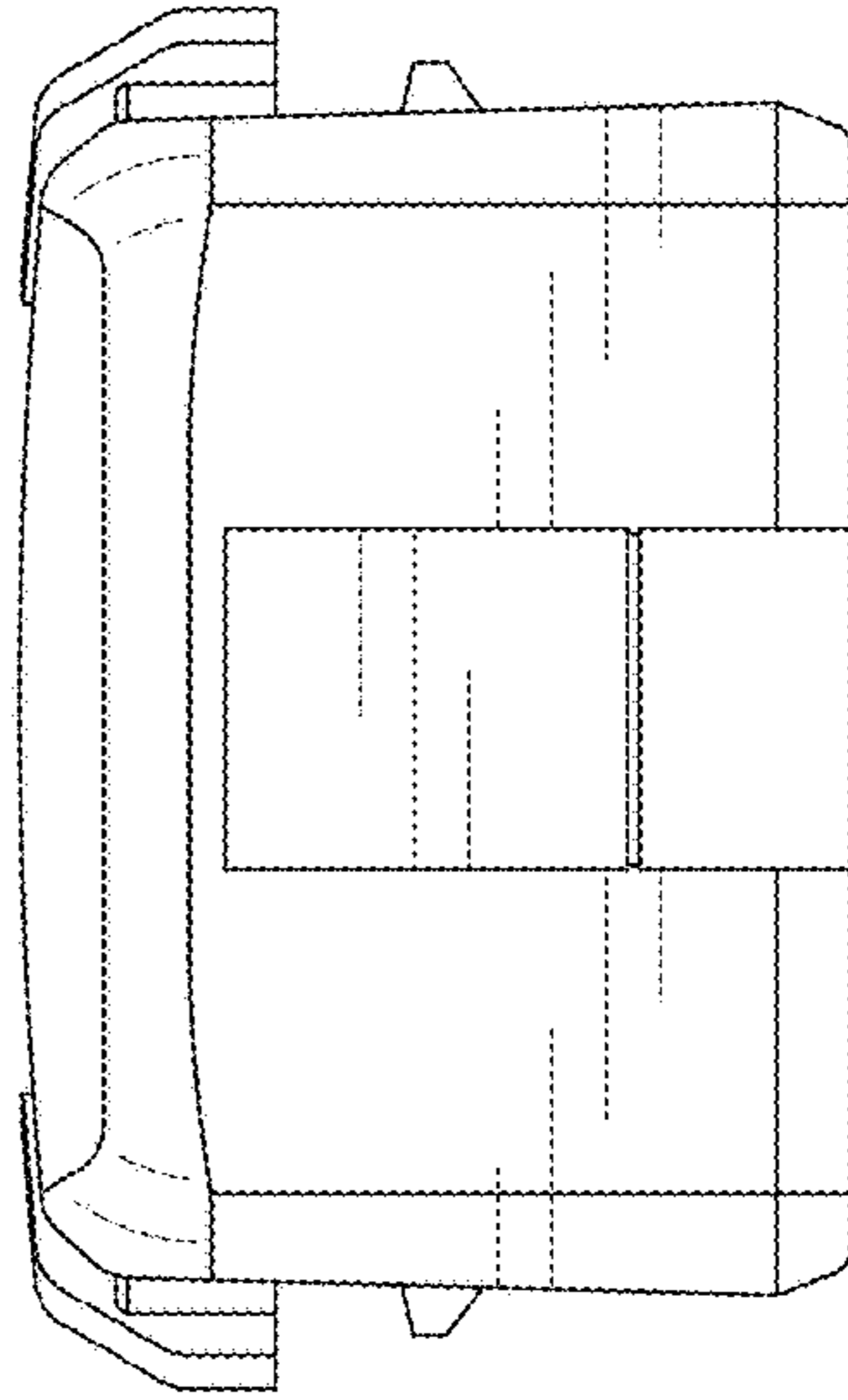


Fig-5

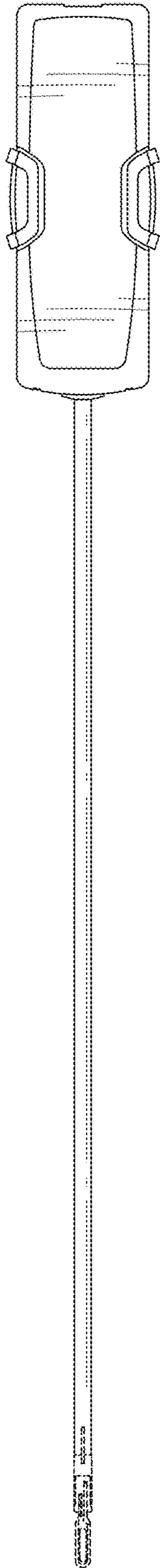


Fig-6

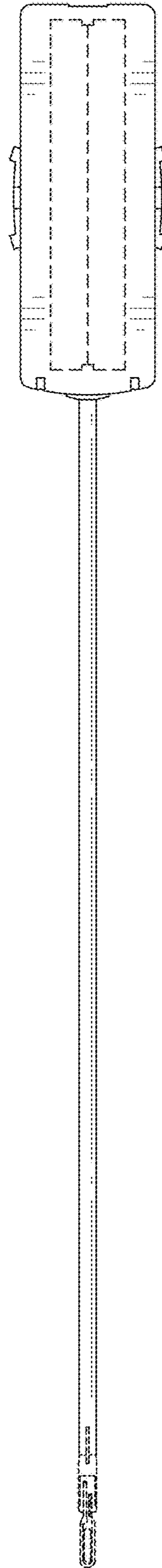


Fig-7