



US00D864386S

(12) **United States Design Patent** (10) **Patent No.:** **US D864,386 S**
Lambrecht et al. (45) **Date of Patent:** **** Oct. 22, 2019**

(54) **SURGICAL INSTRUMENT ACTUATOR END PORTION**

Primary Examiner — Eliza Z Bennett-Hattan
(74) *Attorney, Agent, or Firm* — Jones Robb, PLLC

(71) Applicant: **Intuitive Surgical Operations, Inc.**,
Sunnyvale, CA (US)

(57) **CLAIM**

The ornamental design for a surgical instrument actuator end portion, as shown and described.

(72) Inventors: **Bram Gilbert Antoon Lambrecht**,
Redwood City, CA (US); **Tim Hulford**,
Burlingame, CA (US); **Scott Schenone**,
Seattle, WA (US)

DESCRIPTION

(73) Assignee: **Intuitive Surgical Operations, Inc.**,
Sunnyvale, CA (US)

This application is related to U.S. Design patent application Ser. No. 29/571,116, entitled “Surgical Instrument Actuator End Portion,” and filed on a date even herewith; and to U.S. Design patent application Ser. No. 29/571,119, entitled “Surgical Instrument Actuator End Portion,” and filed on a date even herewith, the entire contents of each of which are incorporated by reference herein.

(**) Term: **15 Years**

FIG. 1 is a left side view of a first embodiment of a surgical instrument actuator end portion of our new design;

(21) Appl. No.: **29/571,120**

FIG. 2 is a front view thereof;

(22) Filed: **Jul. 14, 2016**

FIG. 3 is a right side view thereof;

(51) **LOC (12) Cl.** **24-02**

FIG. 4 is a rear view thereof;

(52) **U.S. Cl.**

USPC **D24/129**

FIG. 5 is a top view thereof; and

(58) **Field of Classification Search**

USPC D24/129, 108, 111, 127, 128, 138, 231,
D24/133, 146, 186; D28/58

FIG. 6 is a bottom view thereof.

(Continued)

FIG. 7 is a left side view of a second embodiment of surgical instrument actuator end portion of our new design;

(56) **References Cited**

FIG. 8 is a front view thereof;

U.S. PATENT DOCUMENTS

D428,487 S * 7/2000 Renner D24/138
D438,617 S 3/2001 Cooper et al.

(Continued)

FIG. 9 is a right side view thereof;

FIG. 10 is a rear view thereof;

FIG. 11 is a top view thereof; and,

FIG. 12 is a bottom view thereof.

The shade lines in the Figures show contour and not surface ornamentation. All unshaded surfaces form no part of the claim.

FOREIGN PATENT DOCUMENTS

WO WO-2018013217 A1 1/2018
WO WO-2018013354 A1 1/2018

The broken lines in the Figures illustrate unclaimed portions and exemplary environmental structure of the surgical instrument actuator end portion and form no part of the claimed design.

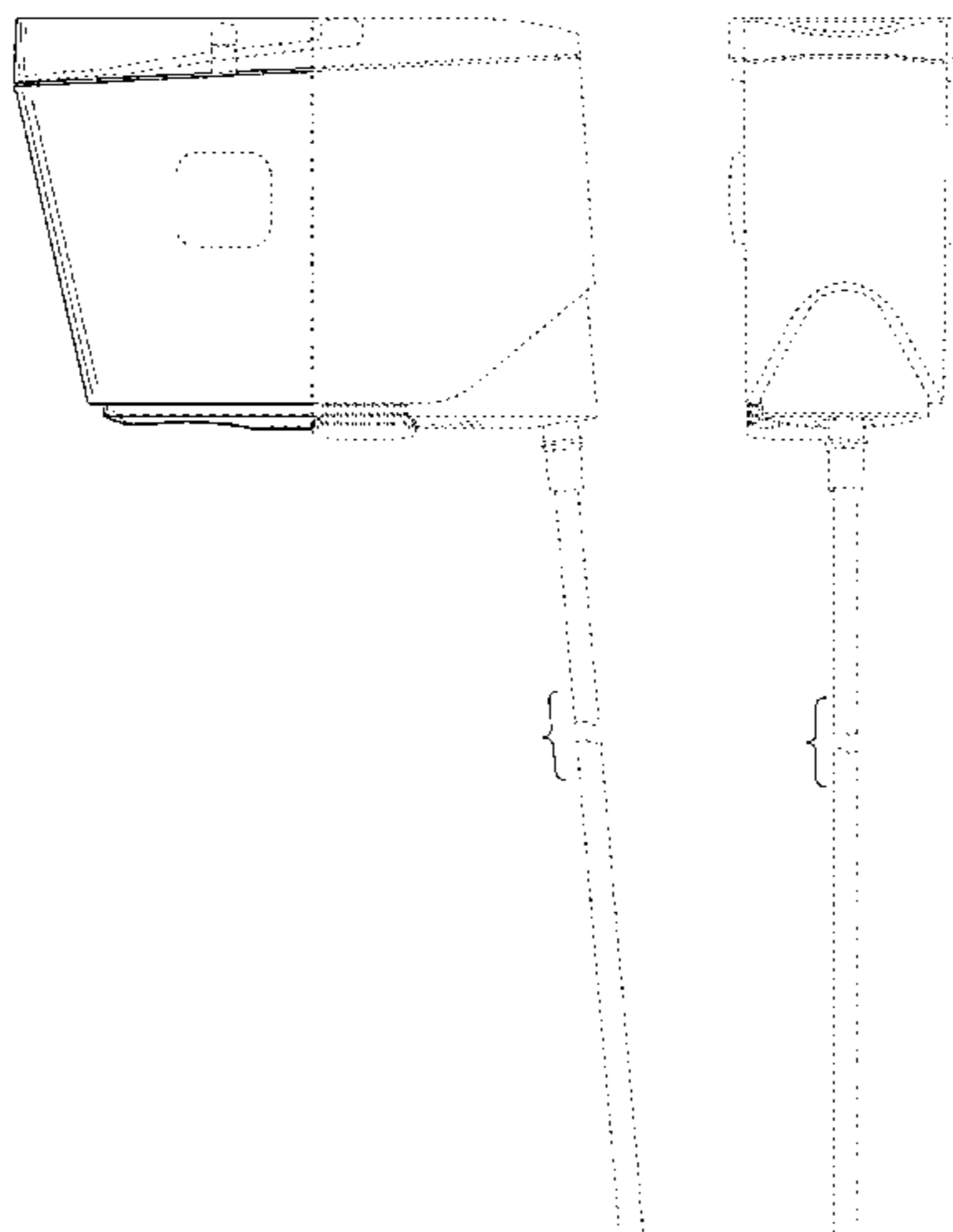
OTHER PUBLICATIONS

The broken lines directly adjacent the shaded areas represent unclaimed portions of the surgical instrument actuator end portion. All other broken lines are for the purpose of illustrating environmental structure and form no part of the claimed design.

Co-pending U.S. Appl. No. 29/485,142, filed Mar. 17, 2014.

(Continued)

1 Claim, 6 Drawing Sheets



- (58) **Field of Classification Search**
 CPC A61B 34/30; A61B 34/20; A61B 90/37;
 A61B 17/00234; A61B 17/0218; B25J
 9/1689
 See application file for complete search history.

(56) **References Cited**

U.S. PATENT DOCUMENTS

D441,076	S	4/2001	Cooper et al.	
D444,555	S	7/2001	Cooper et al.	
D481,125	S *	10/2003	Hayamizu	D24/129
D490,898	S *	6/2004	Hayamizu	D24/129
6,742,413	B2	6/2004	Schwital et al.	
D497,428	S *	10/2004	Hayamizu	D24/129
D498,533	S *	11/2004	Hayamizu	D24/129
D507,349	S *	7/2005	Banks	D24/138
7,140,151	B2	11/2006	Spaziani et al.	
D534,655	S *	1/2007	Iranyi	D24/138
D577,823	S	9/2008	Hensler et al.	
D637,287	S	5/2011	Mudd et al.	
D652,923	S	1/2012	Kennedy et al.	
D657,057	S	4/2012	Kearsley	
8,224,484	B2	7/2012	Swarup et al.	
8,323,213	B2	12/2012	Kim	
8,375,808	B2	2/2013	Blumenkranz et al.	
8,423,186	B2	4/2013	Itkowitz et al.	
8,466,811	B2	6/2013	Kang et al.	
D687,599	S	8/2013	Amit	
D705,488	S	5/2014	Cheng	
8,740,880	B2	6/2014	Pinault et al.	
8,862,268	B2	10/2014	Robinson et al.	
9,089,972	B2	7/2015	Stuart et al.	
9,161,772	B2	10/2015	Hyodo	
9,162,358	B2	10/2015	Geffard et al.	

9,204,934	B2	12/2015	Ogawa et al.	
D760,387	S *	6/2016	Waters	D24/133
D767,129	S *	9/2016	Waters	D24/133
D767,130	S *	9/2016	Waters	D24/133
D768,295	S *	10/2016	Waters	D24/133
2005/0251110	A1	11/2005	Nixon	
2006/0074406	A1	4/2006	Cooper et al.	
2007/0005002	A1	1/2007	Millman et al.	
2007/0142824	A1	6/2007	Devengenzo et al.	
2008/0139964	A1	6/2008	Murray et al.	
2009/0248036	A1	10/2009	Hoffman et al.	
2010/0169815	A1	7/2010	Zhao et al.	
2011/0071473	A1	3/2011	Rogers et al.	
2011/0071543	A1	3/2011	Prisco et al.	
2011/0118748	A1	5/2011	Itkowitz	
2012/0215220	A1	8/2012	Manzo et al.	
2013/0046318	A1	2/2013	Radgowski et al.	
2014/0081455	A1	3/2014	Goldberg et al.	
2014/0128886	A1	5/2014	Holop et al.	
2014/0338477	A1	11/2014	Donlon et al.	
2015/0257814	A1	9/2015	Berry et al.	

OTHER PUBLICATIONS

Co-pending U.S. Appl. No. 29/485,144, filed Mar. 17, 2014.
 Co-pending U.S. Appl. No. 29/485,147, filed Mar. 17, 2014.
 Vertut, Jean and Phillipe Coiffet, Robot Technology: Teleoperation and Robotics Evolution and Development, English translation, Prentice-Hall, Inc., Inglewood Cliffs, NJ, USA 1986, vol. 3A, 332 pages.
 Co-pending U.S. Appl. No. 29/571,116, filed Jul. 14, 2016.
 Co-pending U.S. Appl. No. 29/571,119, filed Jul. 14, 2016.
 Co-pending U.S. Appl. No. 29/644,770, filed Apr. 20, 2018.

* cited by examiner

FIG. 1

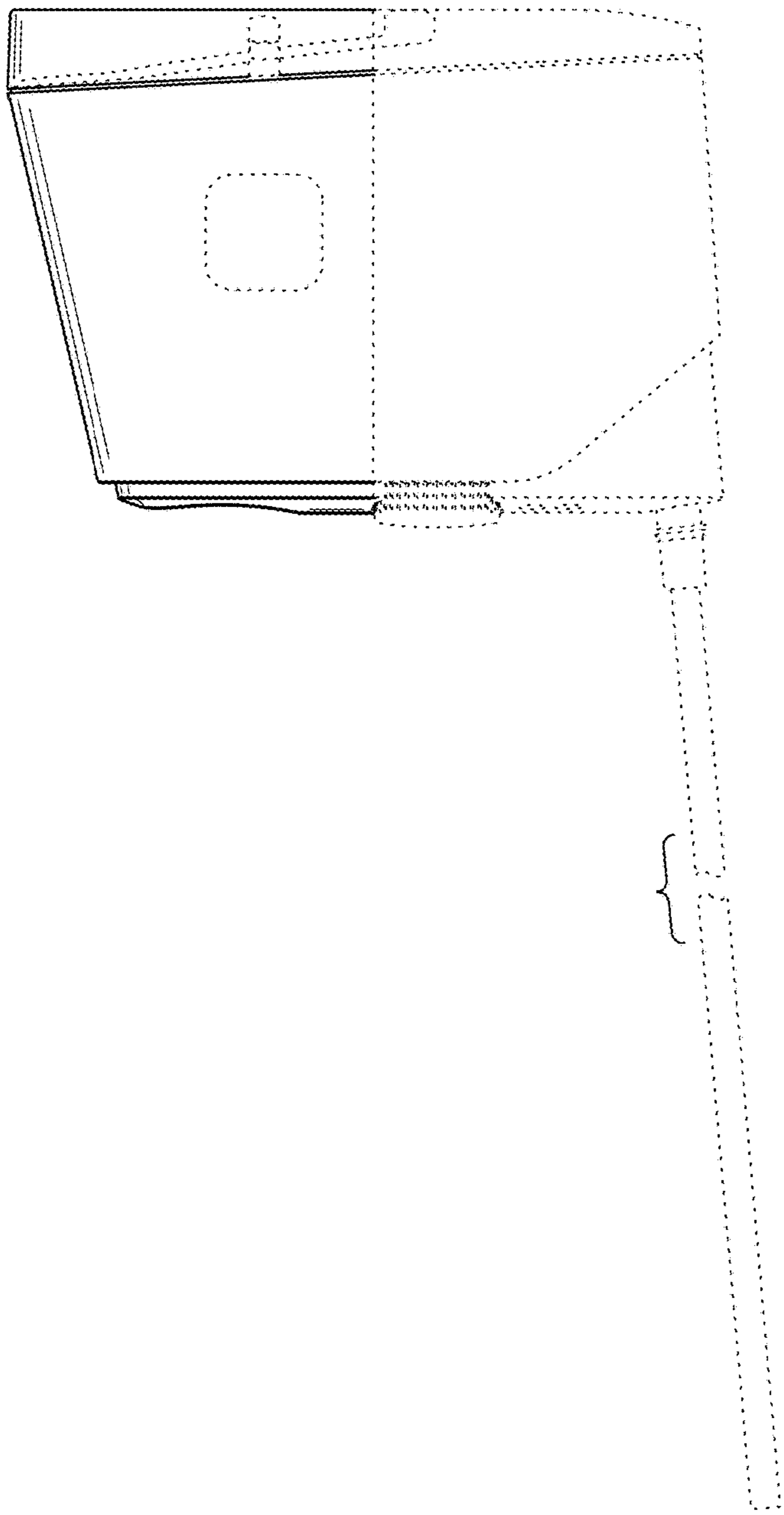


FIG. 2

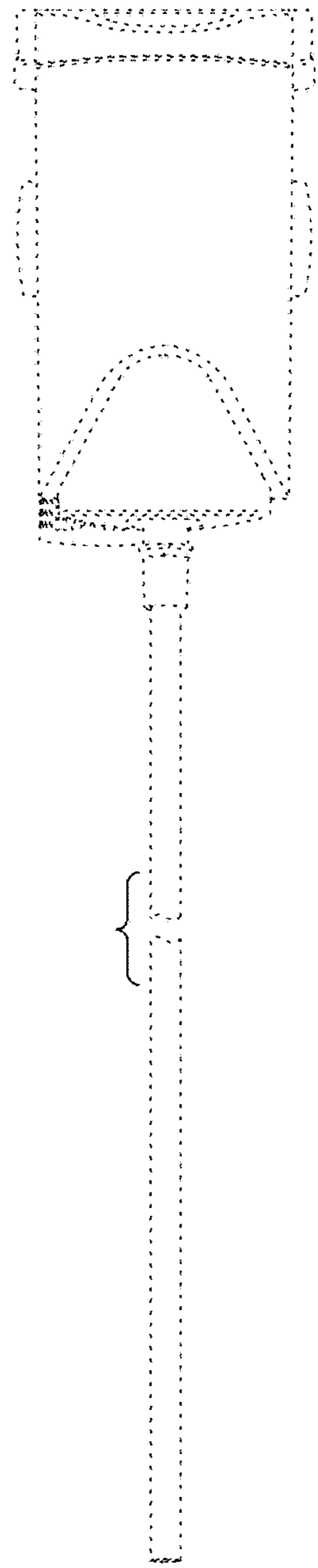


FIG. 3

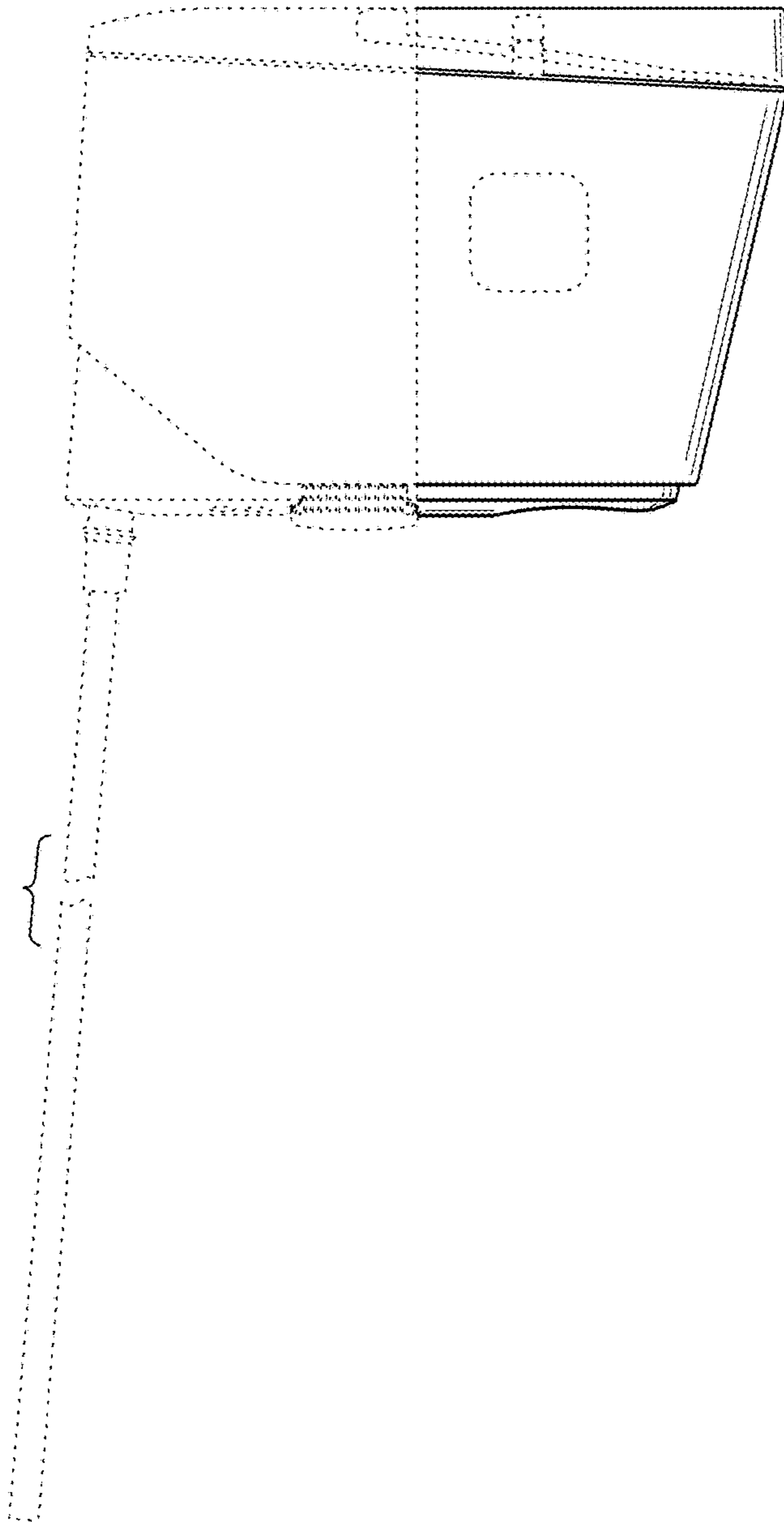


FIG. 4

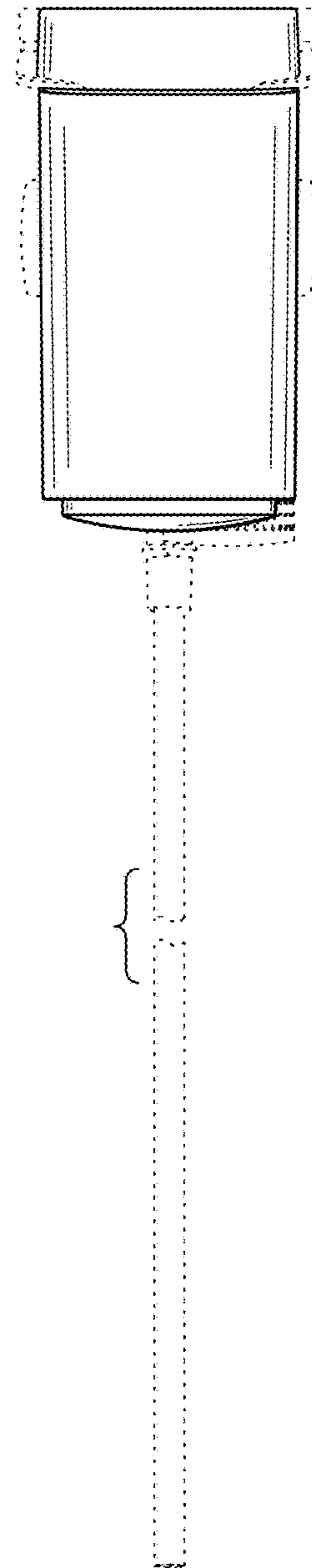


FIG. 5

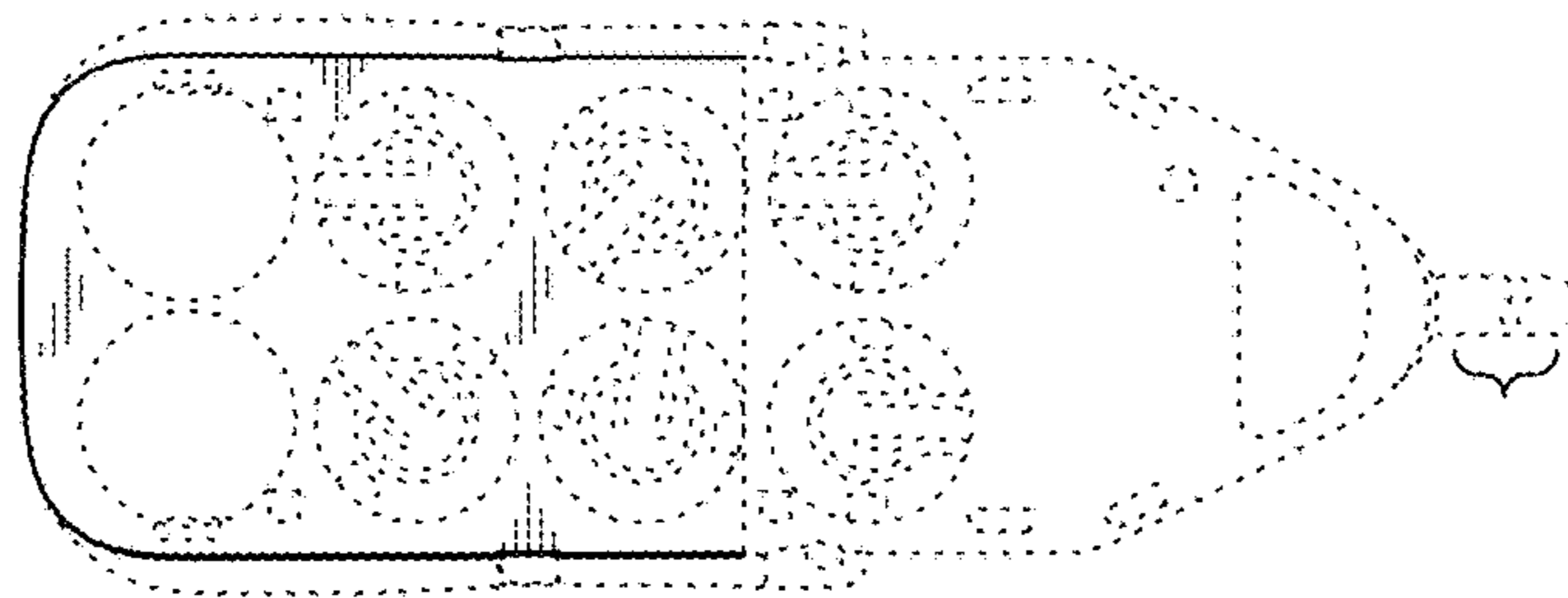


FIG. 6

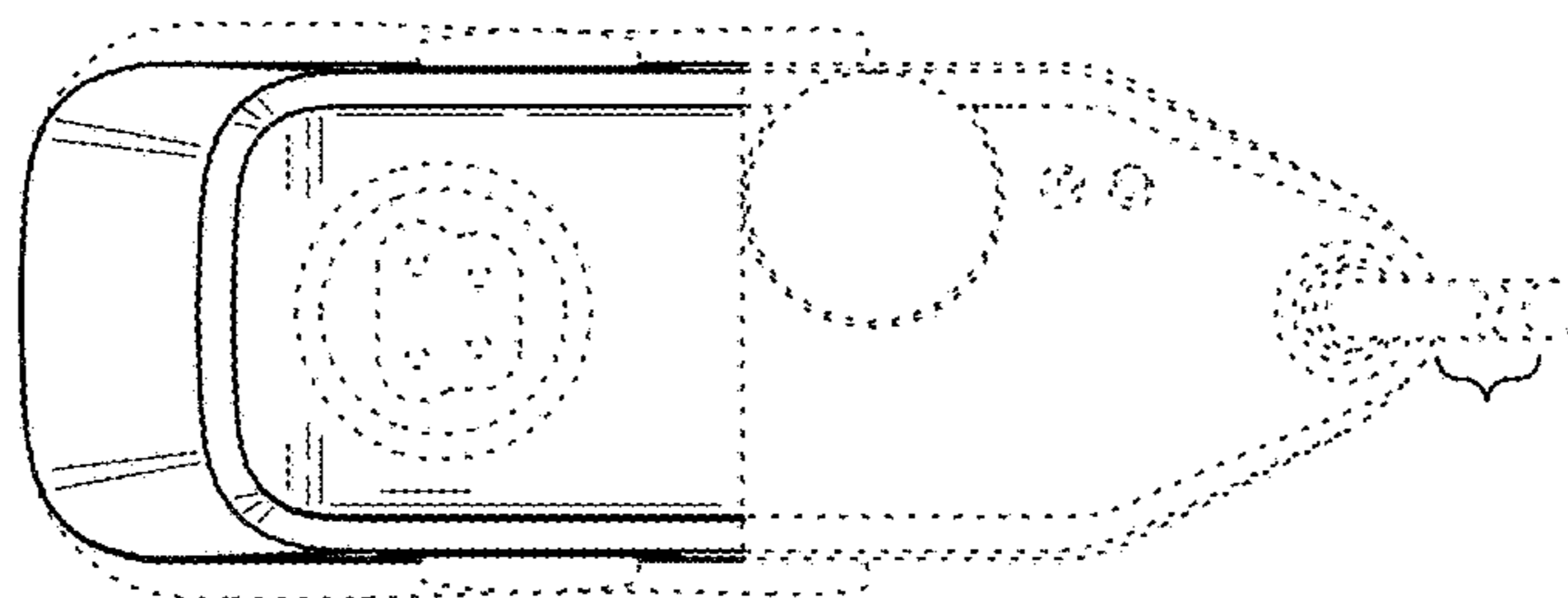


FIG. 7

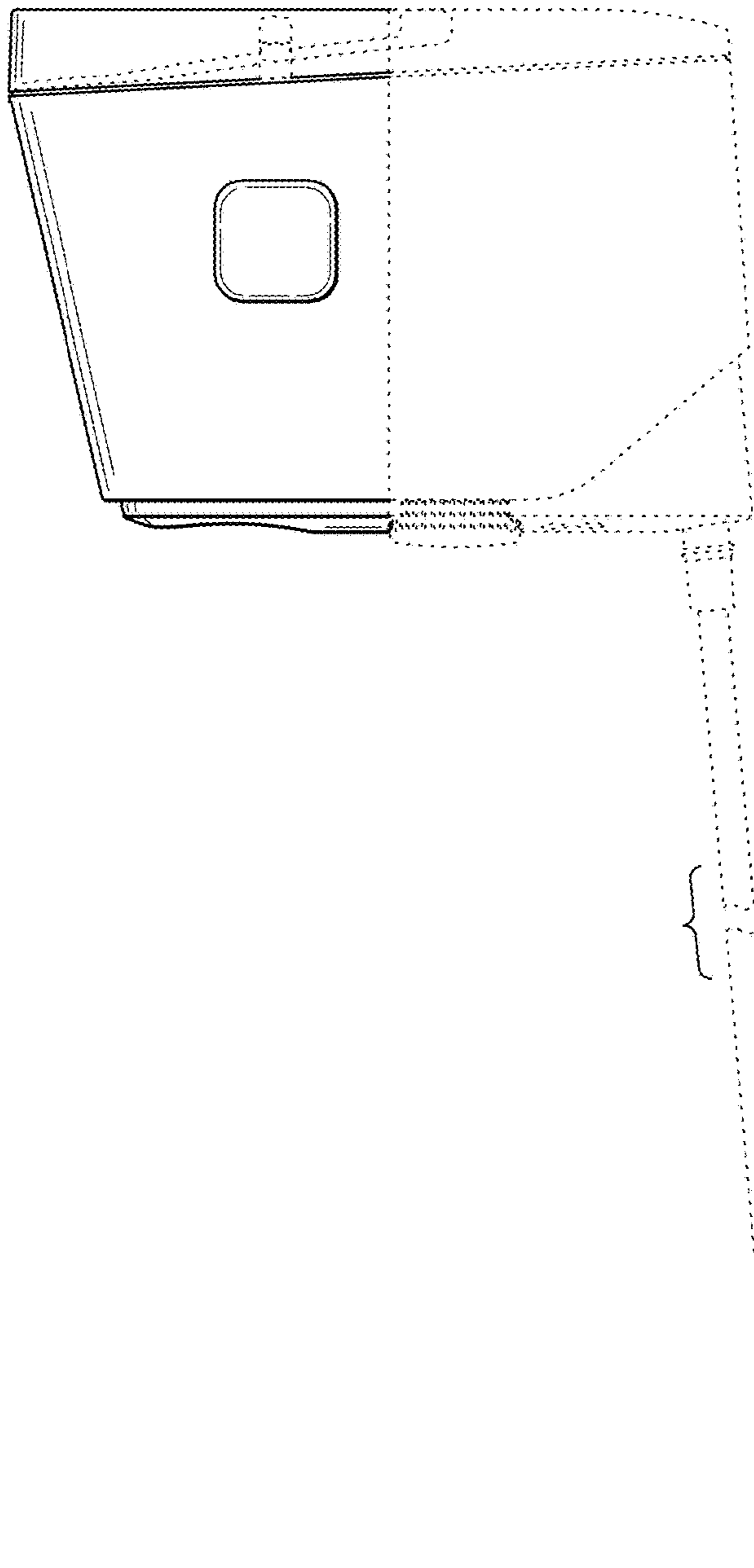


FIG. 8

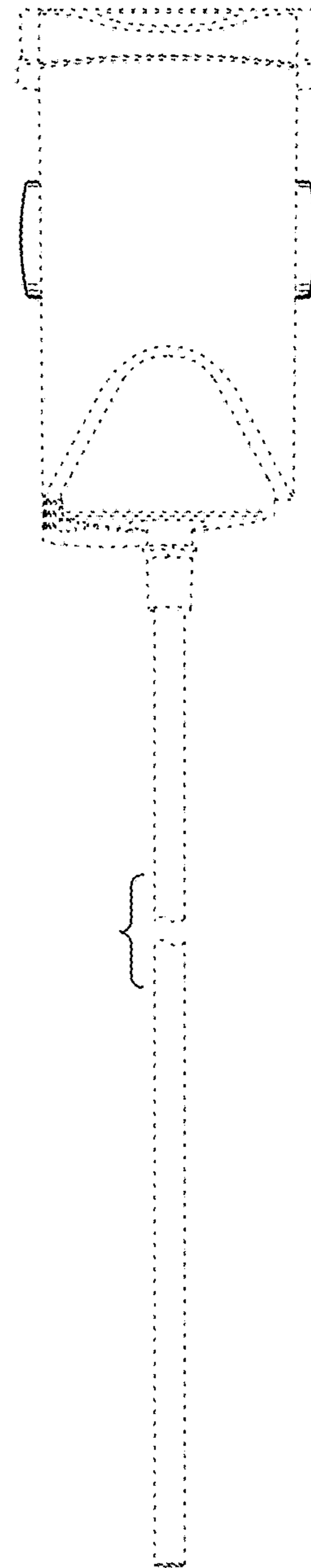


FIG. 9

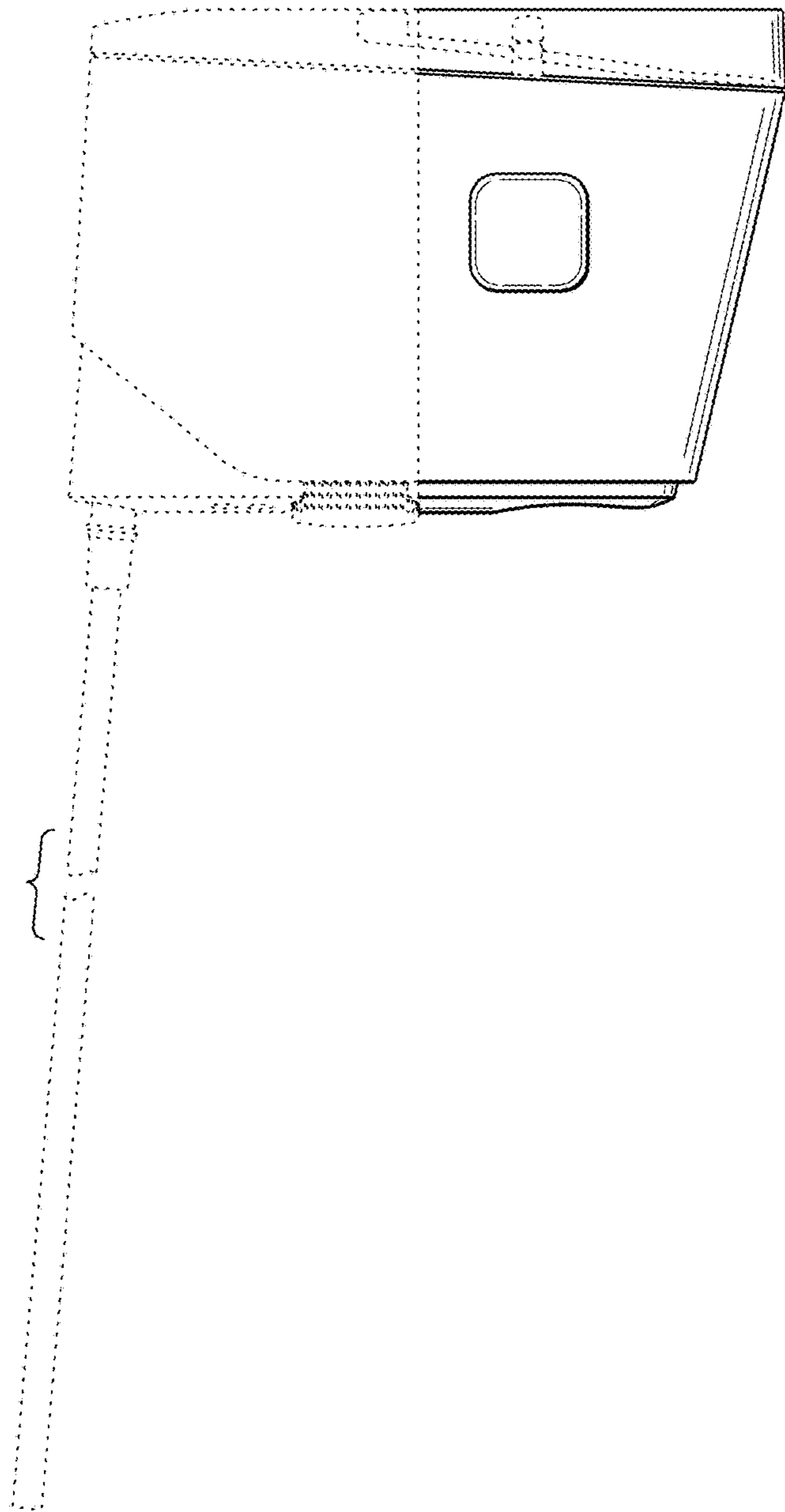


FIG. 10

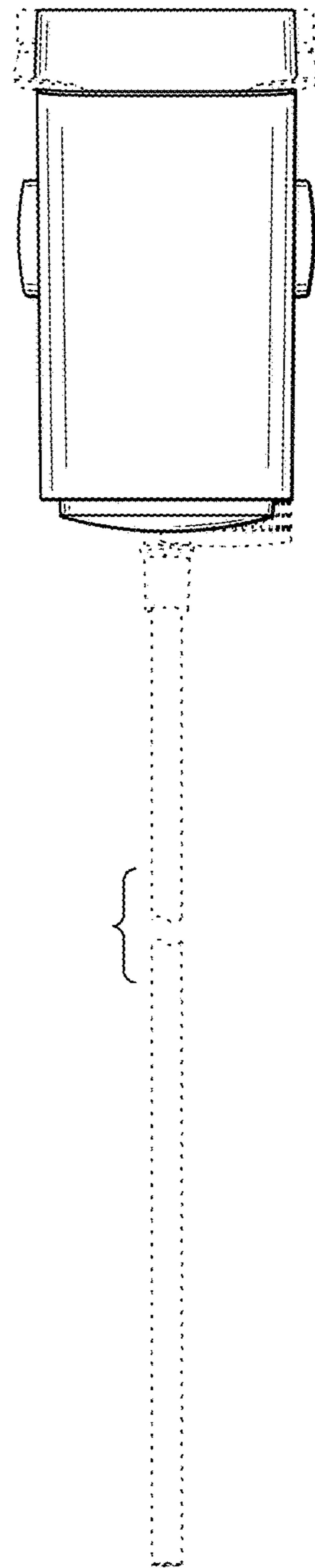


FIG. 11

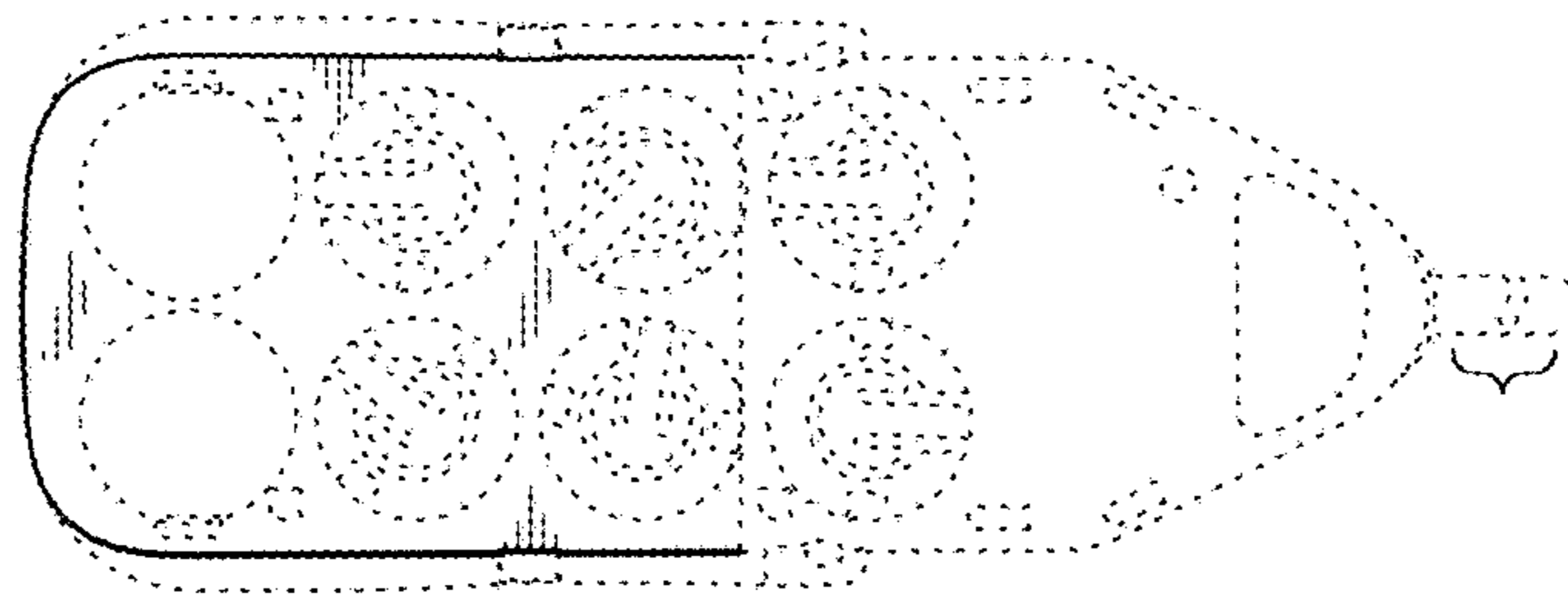


FIG. 12

