

US00D864382S

(12) **United States Design Patent** (10) **Patent No.:** **US D864,382 S**
Adams et al. (45) **Date of Patent:** **** Oct. 22, 2019**

- (54) **ANTISEPTIC SWAB**
- (71) Applicant: **iMed Technology, Inc.**, Dallas, TX (US)
- (72) Inventors: **Kyle S. Adams**, Dallas, TX (US);
Gordon E. Atkinson, Black Mountain, NC (US)
- (73) Assignee: **iMed Technology, Inc.**, Dallas, TX (US)
- (**) Term: **15 Years**
- (21) Appl. No.: **29/634,725**
- (22) Filed: **Jan. 24, 2018**
- (51) **LOC (12) Cl.** **24-02**
- (52) **U.S. Cl.**
USPC **D24/119**
- (58) **Field of Classification Search**
USPC D24/119, 186, 184, 200, 214, 133, 144;
D28/7-8; 607/95, 115, 142, 145, 150,
607/151; 601/18, 21; 604/22
CPC A61N 1/328; A61N 1/375; A61H 2201/10;
A61H 23/0245
See application file for complete search history.

- 7,201,525 B2 4/2007 Mohiuddin
- 7,883,287 B2 * 2/2011 Thorpe A45D 34/04
401/266
- 8,348,537 B2 1/2013 Cable, Jr. et al.
- D780,307 S * 2/2017 Mingione D24/119
(Continued)

OTHER PUBLICATIONS

U.S. Appl. No. 15/878,999 entitled "Antiseptic Swab With Activation Button", filed Jan. 24, 2018, by Kyle S. Adams et al.
(Continued)

Primary Examiner — Cathron C Brooks
Assistant Examiner — Samantha Q Lawrence
(74) *Attorney, Agent, or Firm* — Stevens & Showalter LLP

(57) **CLAIM**

The ornamental design for an antiseptic swab, as shown and described.

DESCRIPTION

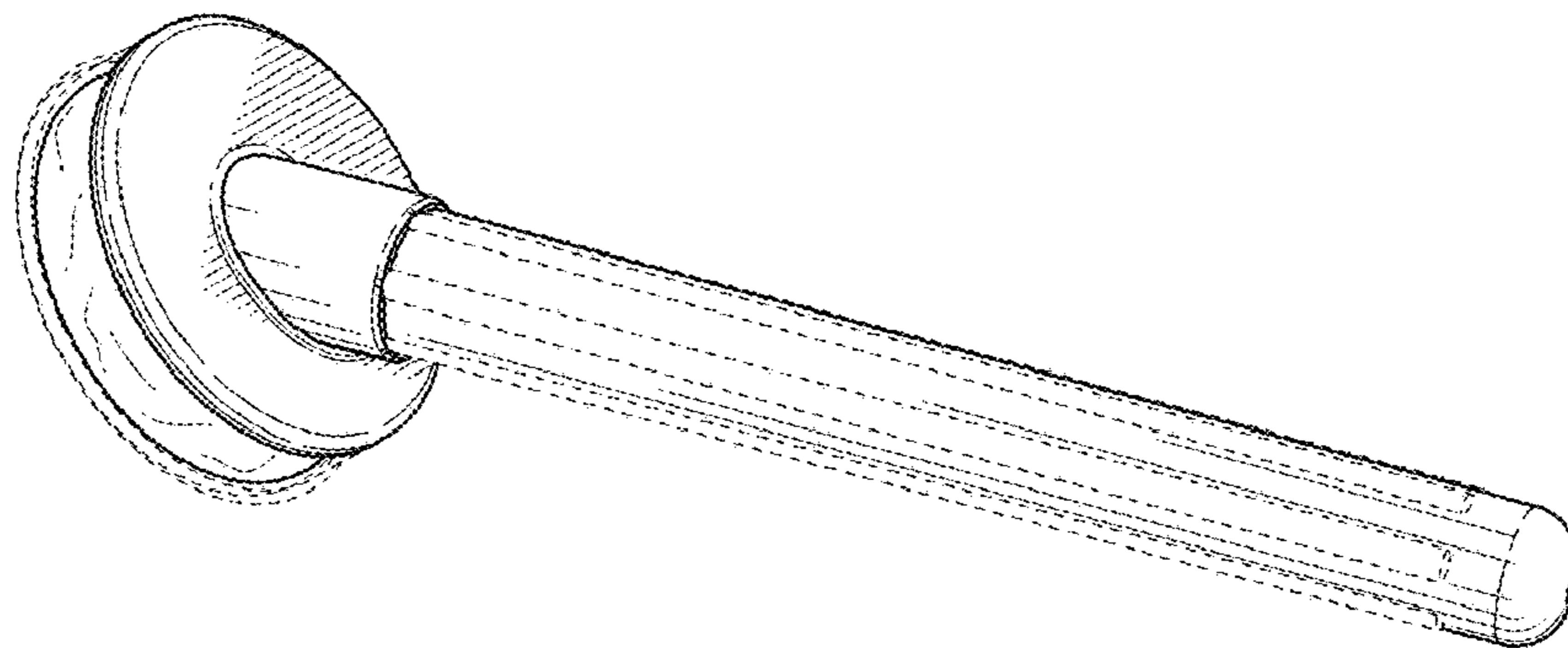
FIG. 1 is a top perspective view of an antiseptic swab showing my new design;
FIG. 2 is a top plan view of the antiseptic swab of FIG. 1;
FIG. 3 is a bottom plan view of the antiseptic swab of FIG. 1;
FIG. 4 is a side elevation view of the antiseptic swab of FIG. 1, the opposite side elevation view being a mirror image of FIG. 4;
FIG. 5 is a front end view of the antiseptic swab of FIG. 1; and,
FIG. 6 is a rear end view of the antiseptic swab of FIG. 1. The broken lines shown in FIGS. 1-6 illustrate portions of the antiseptic swab that form no part of the claimed design. The broken lines shown within the circular recess in FIGS. 3 and 5 illustrate a boundary line that forms no part of the claimed design.

1 Claim, 2 Drawing Sheets

(56) **References Cited**

U.S. PATENT DOCUMENTS

3,482,920	A	12/1969	Schwartzman
3,922,099	A	11/1975	Christine et al.
4,148,318	A	4/1979	Meyer
4,415,288	A	11/1983	Gordon et al.
4,498,796	A	2/1985	Gordon et al.
4,730,949	A	3/1988	Wilson
4,927,283	A	5/1990	Fitjer
5,042,690	A	8/1991	O'Meara
5,120,301	A	6/1992	Wu
5,769,552	A	6/1998	Kelley et al.
6,536,975	B1	3/2003	Tufts
7,121,754	B2	10/2006	Bressler et al.



(56)

References Cited

U.S. PATENT DOCUMENTS

9,675,787 B2 * 6/2017 Guzman A61M 35/003
 D791,307 S * 7/2017 Mingione D24/119
 9,757,551 B2 * 9/2017 Degala A61L 2/18
 9,844,654 B2 * 12/2017 Durham A61M 35/006
 9,968,764 B2 * 5/2018 Guzman A61M 35/006
 9,987,474 B2 * 6/2018 Adams A45D 34/04
 D825,931 S * 8/2018 Chitayat D4/114
 10,076,648 B2 * 9/2018 Mingione A61M 35/006
 2002/0076258 A1 6/2002 Crosby et al.
 2004/0067090 A1 4/2004 Budds et al.
 2004/0162533 A1 8/2004 Alley
 2004/0179888 A1 9/2004 Tufts et al.
 2006/0039742 A1 2/2006 Cable, Jr. et al.
 2007/0231051 A1 10/2007 Flores et al.
 2007/0248399 A1 10/2007 Tufts et al.
 2008/0058863 A1 3/2008 Quintero et al.

2010/0168638 A1 7/2010 Korogi et al.
 2012/0219347 A1 8/2012 Law et al.
 2013/0156485 A1 * 6/2013 Guzman A61M 35/003
 401/133
 2015/0050065 A1 2/2015 Guzman
 2015/0297876 A1 10/2015 Lockwood et al.
 2016/0106964 A1 4/2016 Quaglia
 2017/0164713 A1 6/2017 Davia
 2017/0165463 A1 6/2017 Law

OTHER PUBLICATIONS

Oliver, Bradley S.; Notice of Allowance; U.S. Appl. No. 15/285,760, filed Feb. 21, 2018; United States Patent and Trademark Office; Alexandria, VA.
 U.S. Appl. No. 15/285,760 entitled "Antiseptic Swab", filed Oct. 5, 2016 by Kyle S. Adams et al.

* cited by examiner

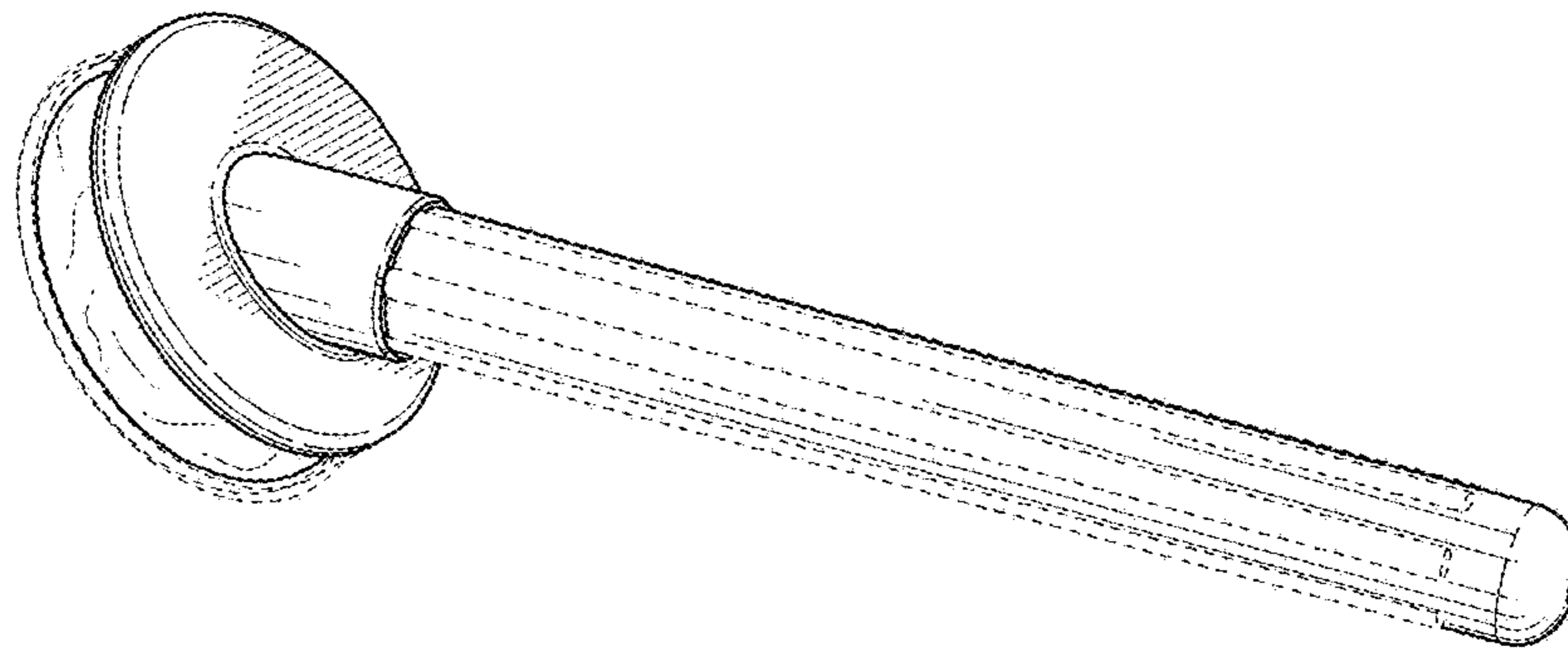


FIG. 1

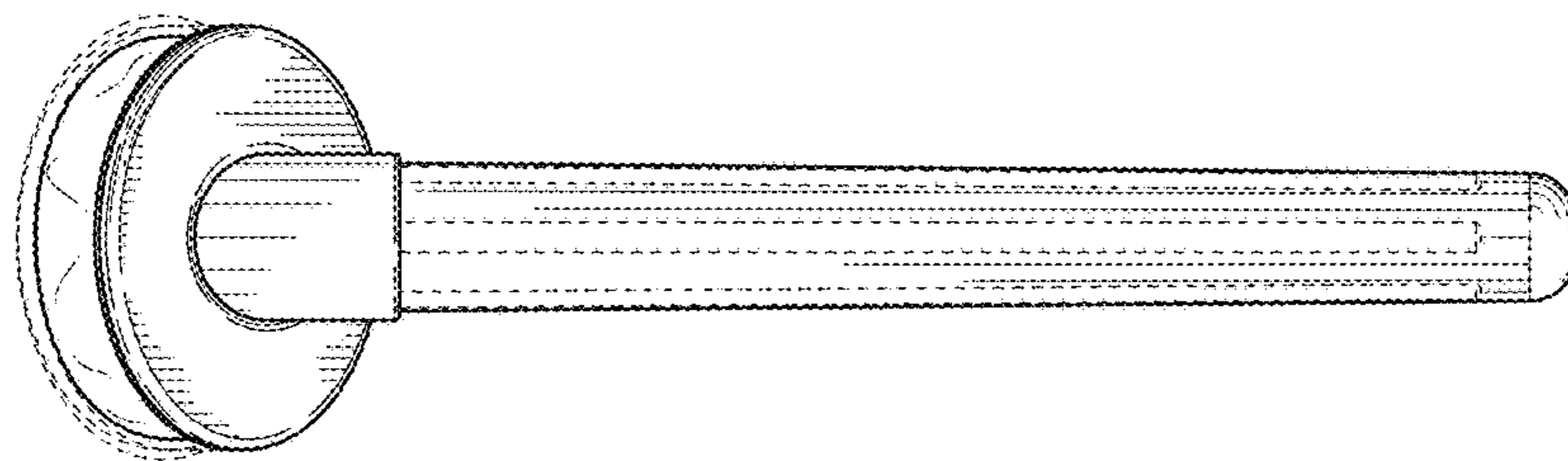


FIG. 2

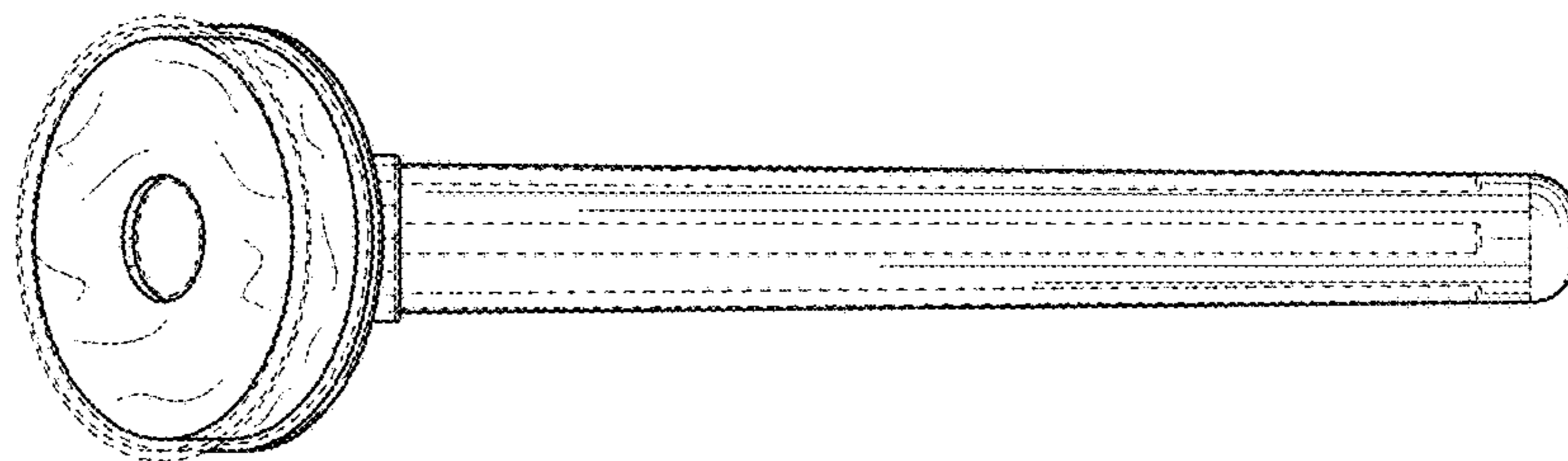


FIG. 3

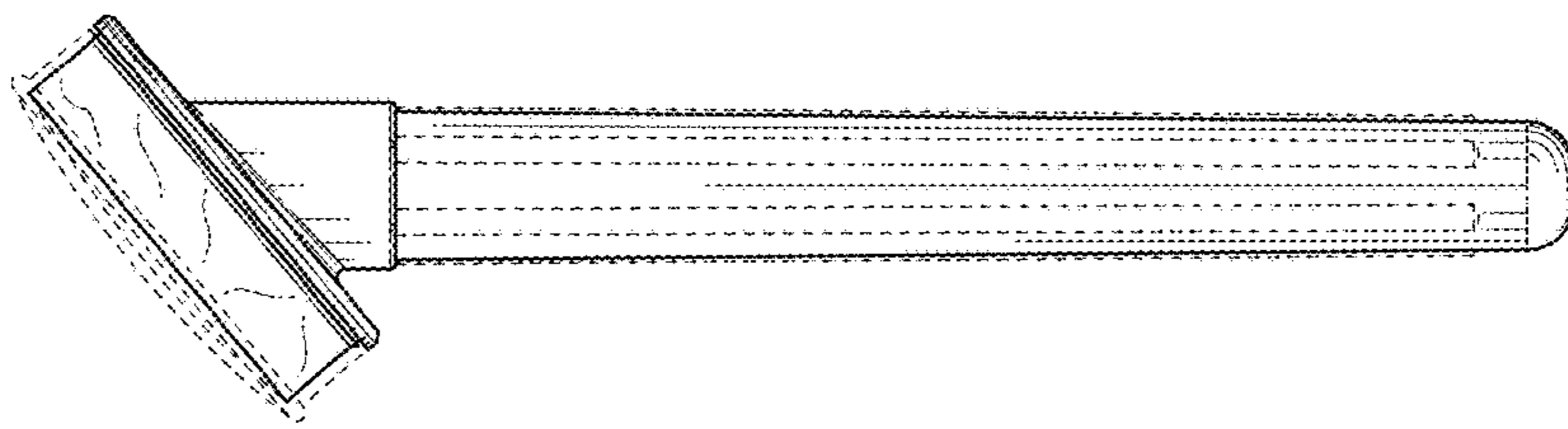


FIG. 4

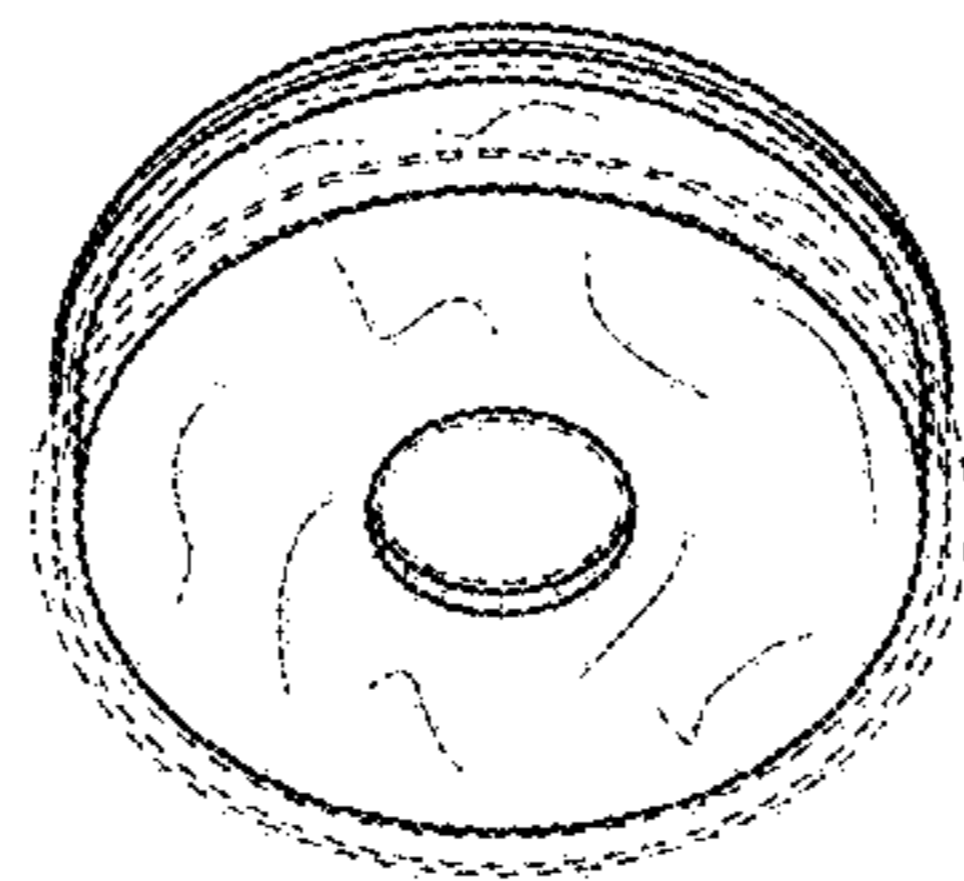


FIG. 5

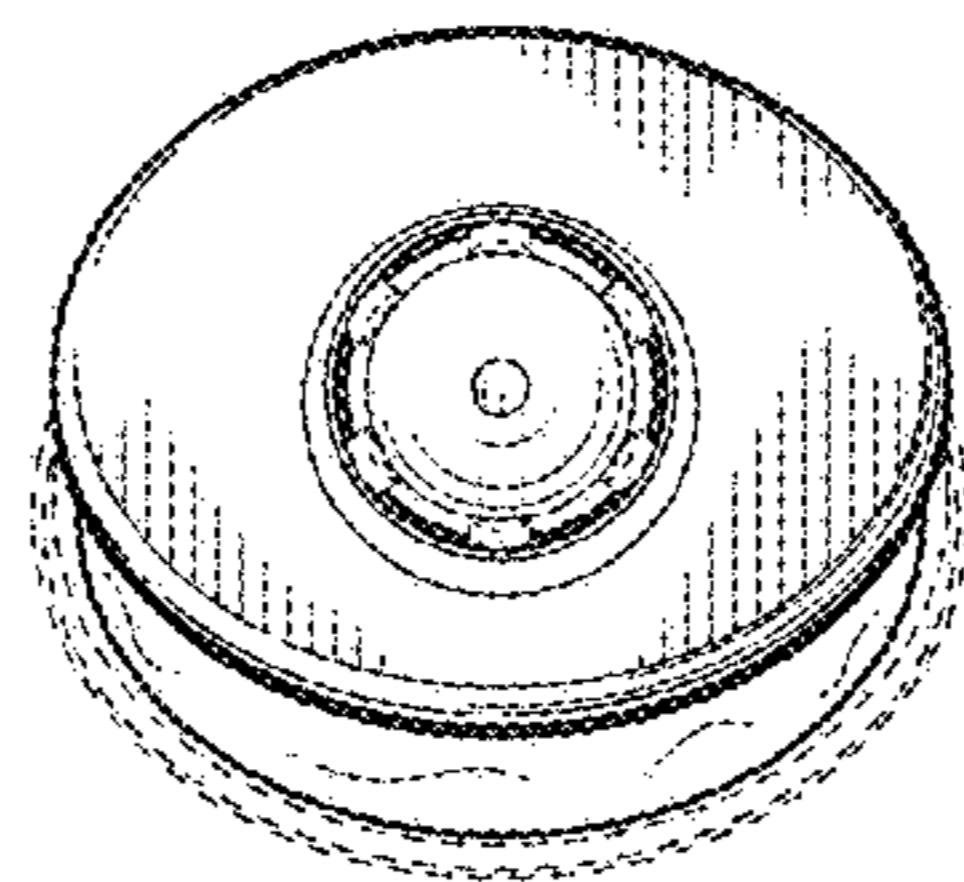


FIG. 6