



US00D864376S

(12) **United States Design Patent**
Hidalgo

(10) **Patent No.:** **US D864,376 S**

(45) **Date of Patent:** **** Oct. 22, 2019**

(54) **COMBINATION CEILING FAN AND LIGHT FIXTURE**

(71) Applicant: **Minka Lighting, Inc.**, Corona, CA (US)

(72) Inventor: **Rolando Hidalgo**, Yorba Linda, CA (US)

(73) Assignee: **Minka Lighting, Inc.**, Corona, CA (US)

(**) Term: **15 Years**

(21) Appl. No.: **29/631,241**

(22) Filed: **Dec. 28, 2017**

(51) **LOC (12) Cl.** **23-04**

(52) **U.S. Cl.**
USPC **D23/377; D26/59**

(58) **Field of Classification Search**
USPC D23/370–385, 411–414; D26/59
CPC F04D 25/088; F21V 33/0096
See application file for complete search history.

(56) **References Cited**

U.S. PATENT DOCUMENTS

D424,188 S	*	5/2000	Liu	D23/377
D453,216 S	*	1/2002	Gajewski	D23/377
D511,376 S	*	11/2005	Young	D23/377
D594,542 S	*	6/2009	Pan	D23/377
D603,954 S	*	11/2009	Curtin	D23/411
D715,917 S	*	10/2014	Hidalgo	D23/377

D778,422 S	*	2/2017	Gajewski	D23/377
D785,155 S	*	4/2017	Wang	D23/377
D788,283 S	*	5/2017	Busta	D23/377
D799,665 S	*	10/2017	Wang	D23/377
D801,515 S	*	10/2017	Wang	D23/411
D805,623 S	*	12/2017	Haggar	D23/377
D810,917 S	*	2/2018	Holmes	D23/377
D810,920 S	*	2/2018	Haggar	D23/377
D820,431 S	*	6/2018	Ertze	D23/411

* cited by examiner

Primary Examiner — Cathron C Brooks

Assistant Examiner — Sharon S Oum

(74) *Attorney, Agent, or Firm* — Seyfarth Shaw LLP

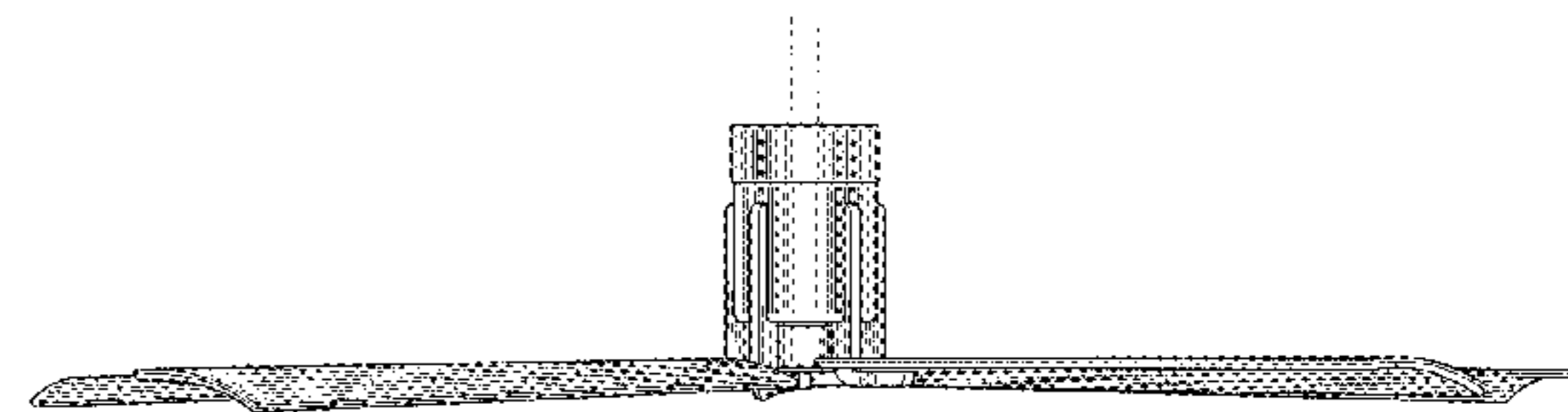
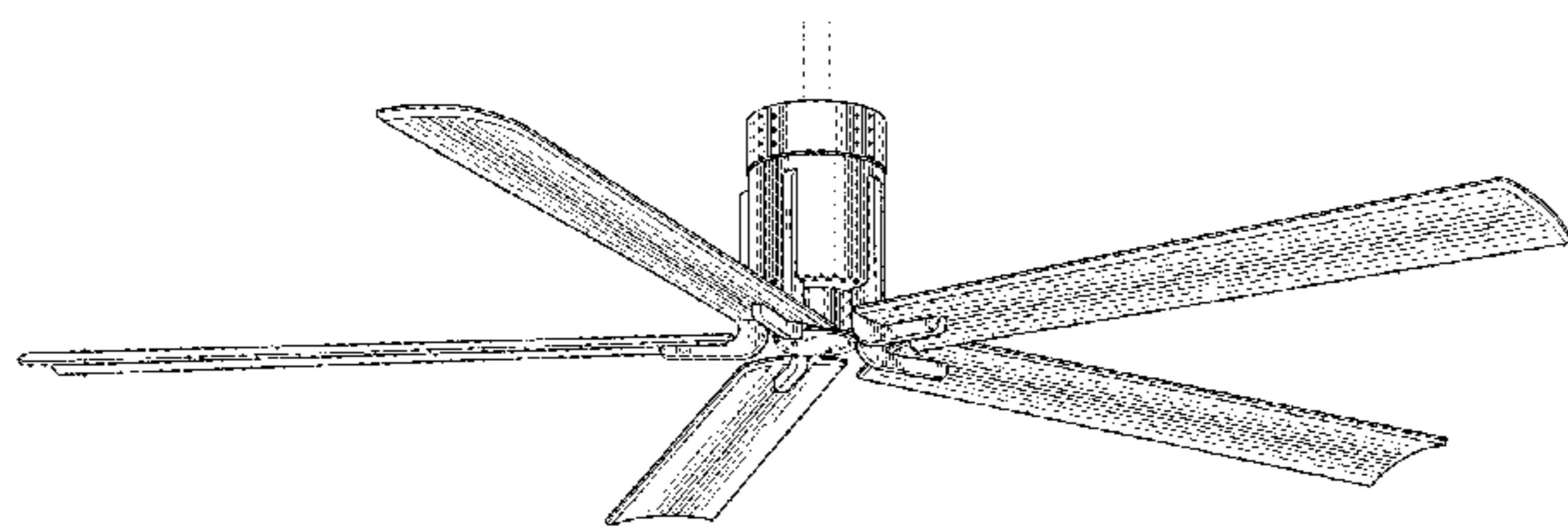
(57) **CLAIM**

The ornamental design for a combination ceiling fan and light fixture, as shown and described.

DESCRIPTION

FIG. 1 is a perspective view of a combination ceiling fan and light fixture in accordance with my design;
FIG. 2 is a top plan view thereof;
FIG. 3 is a bottom plan view thereof;
FIG. 4 is a front elevation view thereof;
FIG. 5 is a rear elevation view thereof;
FIG. 6 is a left-side elevation view thereof; and,
FIG. 7 is a right-side elevation view thereof.
The lighter and closely spaced lines in the drawings are surface shading and are not surface ornamentation.
The broken lines in the drawings illustrate portions of the ceiling fan that form no part of the claimed design.

1 Claim, 5 Drawing Sheets



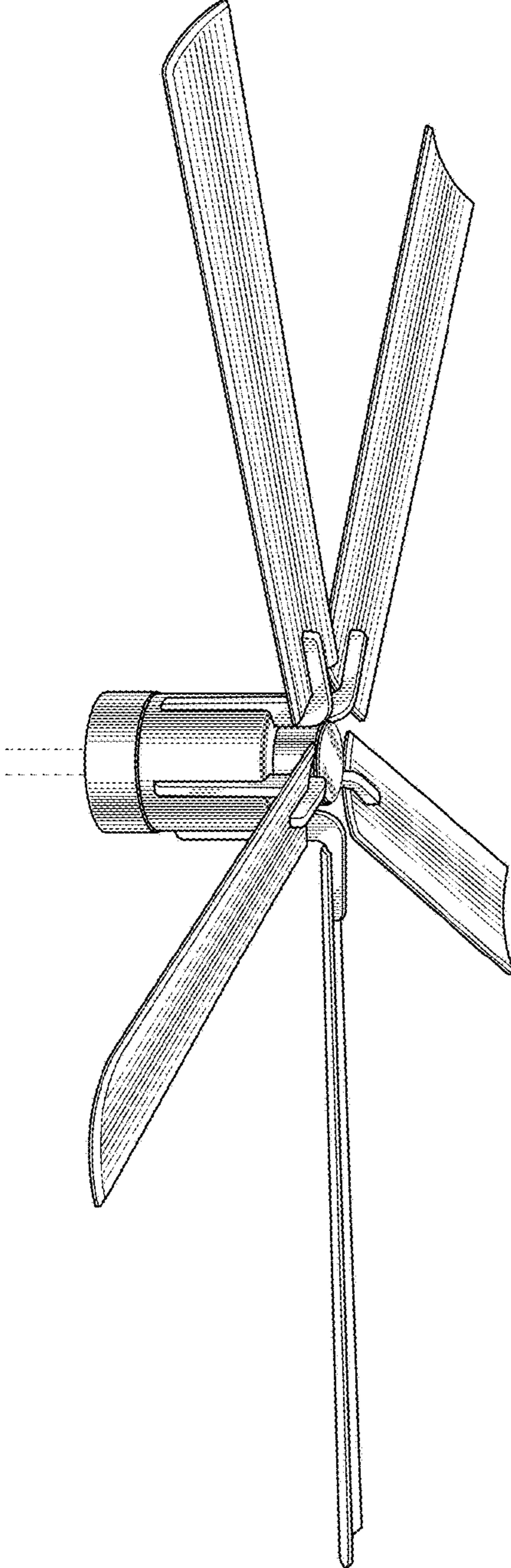


Fig. 1

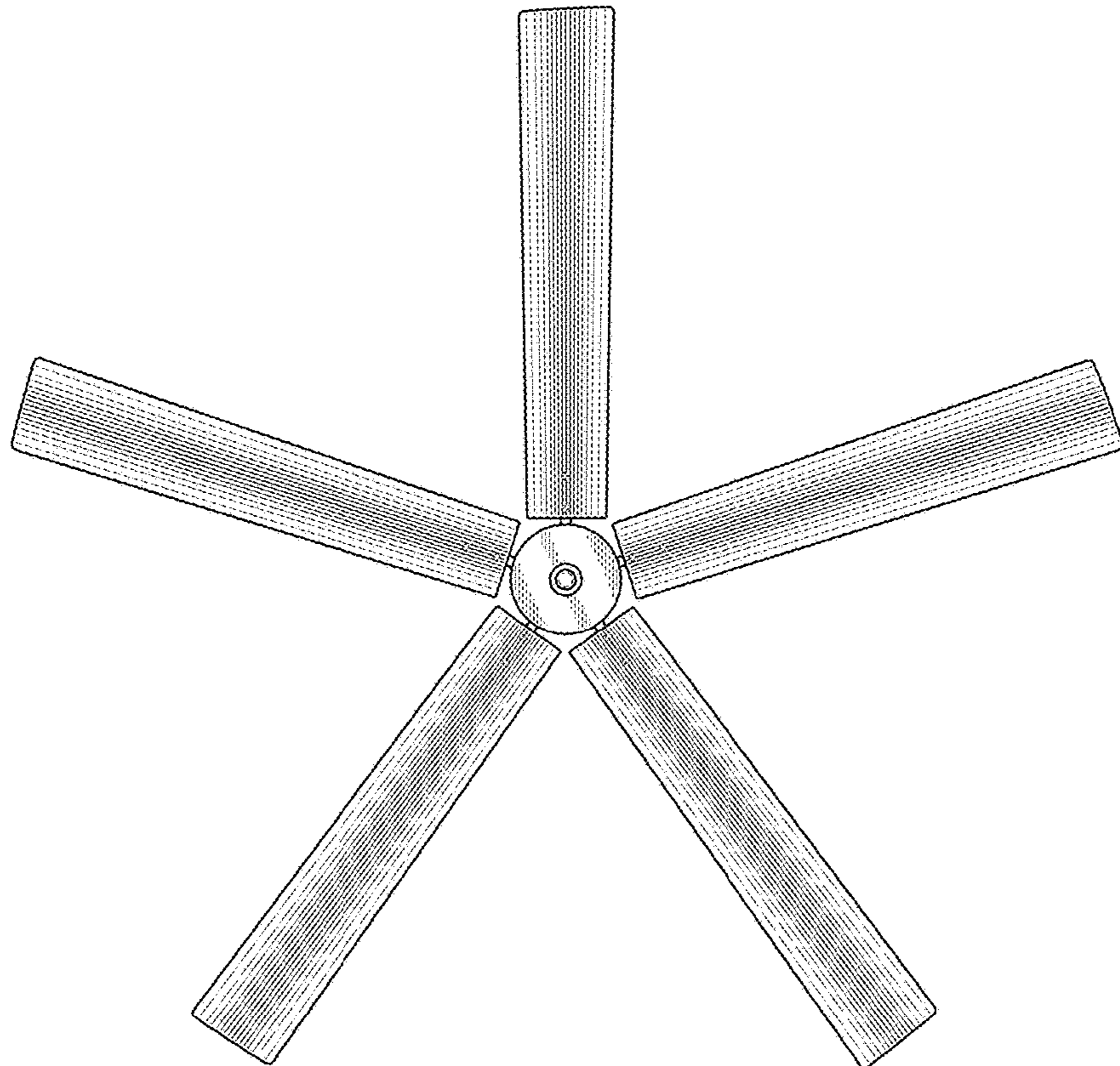


Fig.2

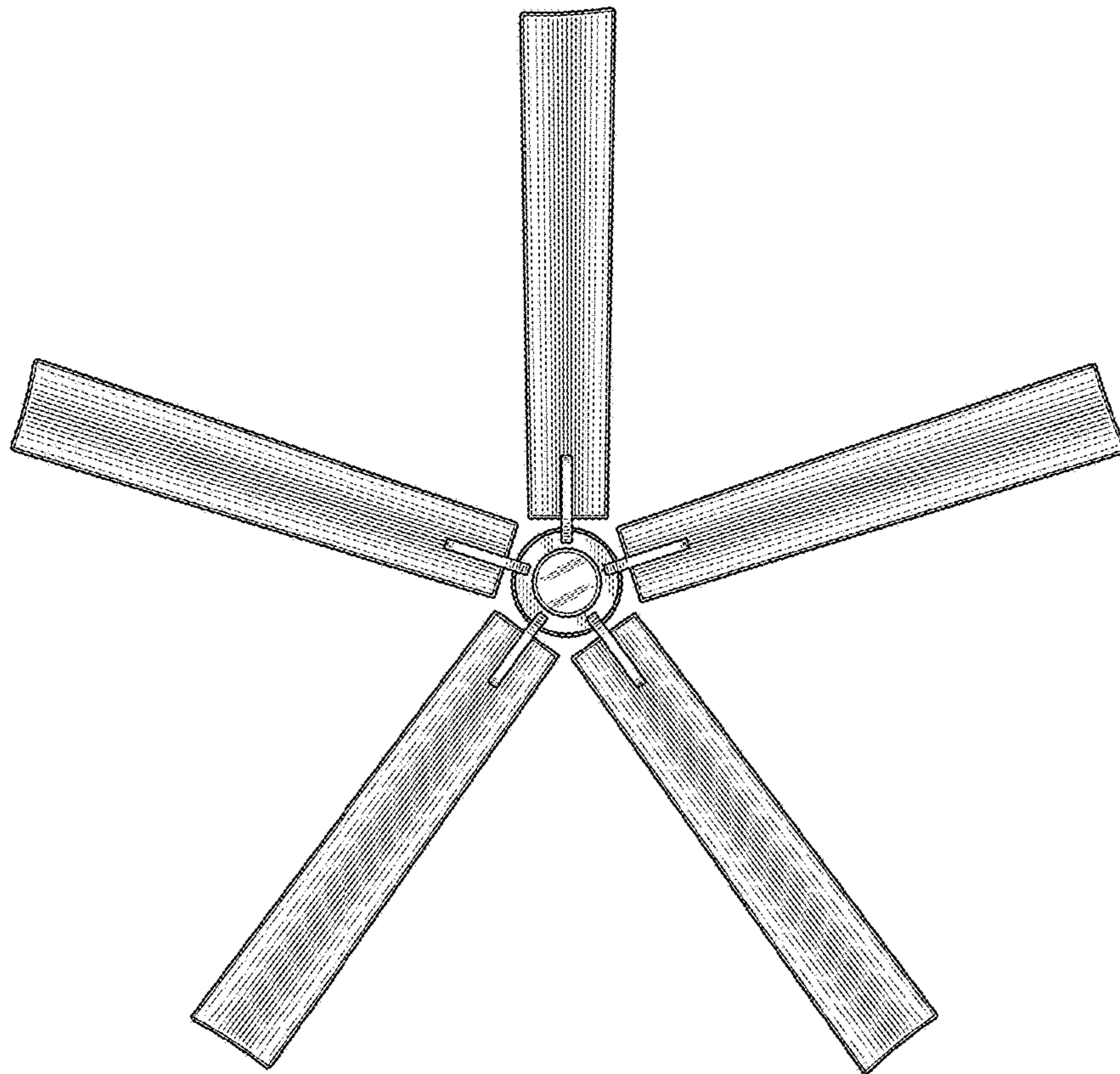


Fig.3

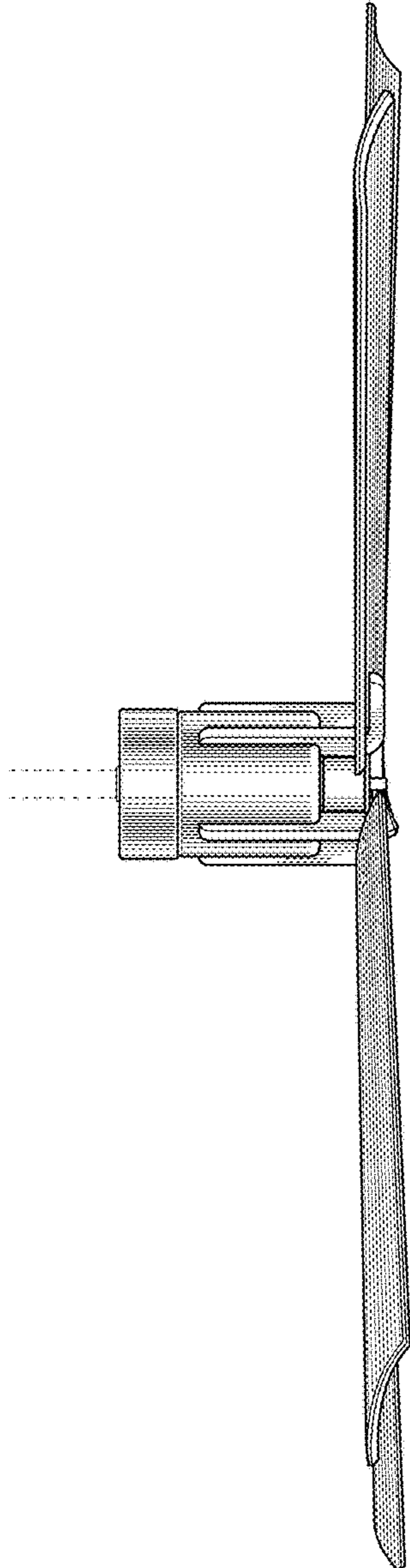


Fig.4

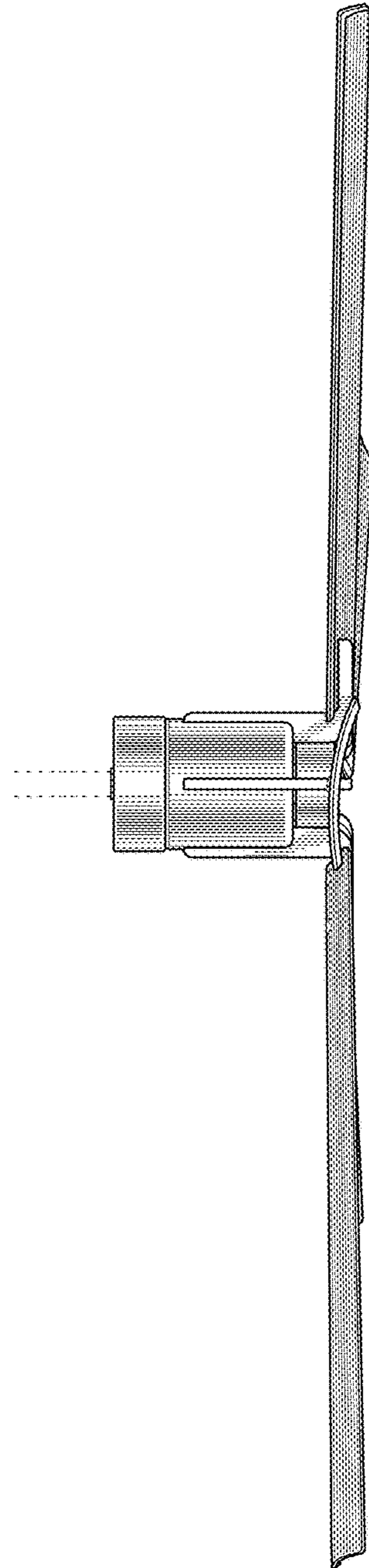


Fig.5

