

US00D864375S

(12) **United States Design Patent** (10) **Patent No.:** **US D864,375 S**
Hu (45) **Date of Patent:** **** Oct. 22, 2019**

- (54) **PORTABLE AROMATHERAPY STICK**
- (71) Applicant: **SHENZHEN QIANHAI PATUOXUN NETWORK AND TECHNOLOGY CO., LTD**, Shenzhen (CN)
- (72) Inventor: **Zaihui Hu**, Shenzhen (CN)
- (73) Assignee: **SHENZHEN QIANHAI PATUOXUN NETWORK AND TECHNOLOGY CO., LTD**, Shenzhen (CN)
- (**) Term: **15 Years**
- (21) Appl. No.: **29/671,132**
- (22) Filed: **Nov. 23, 2018**
- (51) **LOC (12) Cl.** **28-99**
- (52) **U.S. Cl.**
USPC **D23/366**
- (58) **Field of Classification Search**
USPC D23/362, 365-368; D9/504, 519-521, D9/680, 691; D3/263-266; D19/163; D24/101, 104, 141, 215; D22/144-146; D27/100, 101, 162-169, 183, 186, 189, D27/194
CPC A01K 95/00; A01K 93/00; A45D 34/00; B65D 1/04
See application file for complete search history.

- D327,912 S * 7/1992 Tsai D19/163
 - D337,207 S * 7/1993 Tiramani D4/199
 - D345,919 S * 4/1994 Chevassus D28/76
- (Continued)

FOREIGN PATENT DOCUMENTS

CN 304808134 9/2018

OTHER PUBLICATIONS

Personal Aromatherapy Blank Nose Inhaler Stick [Feb. 2, 2019] found online [Feb. 2, 2019]—https://www.alibaba.com/product-detail/Personal-Aromatherapy-Blank-Nose-Inhaler-Stick_60788487297.html.*

Primary Examiner — Lakiya G Rogers
Assistant Examiner — John A Voytek
(74) *Attorney, Agent, or Firm* — JCIP Global Inc.

(57) **CLAIM**

The ornamental design for a portable aromatherapy stick, as shown and described.

DESCRIPTION

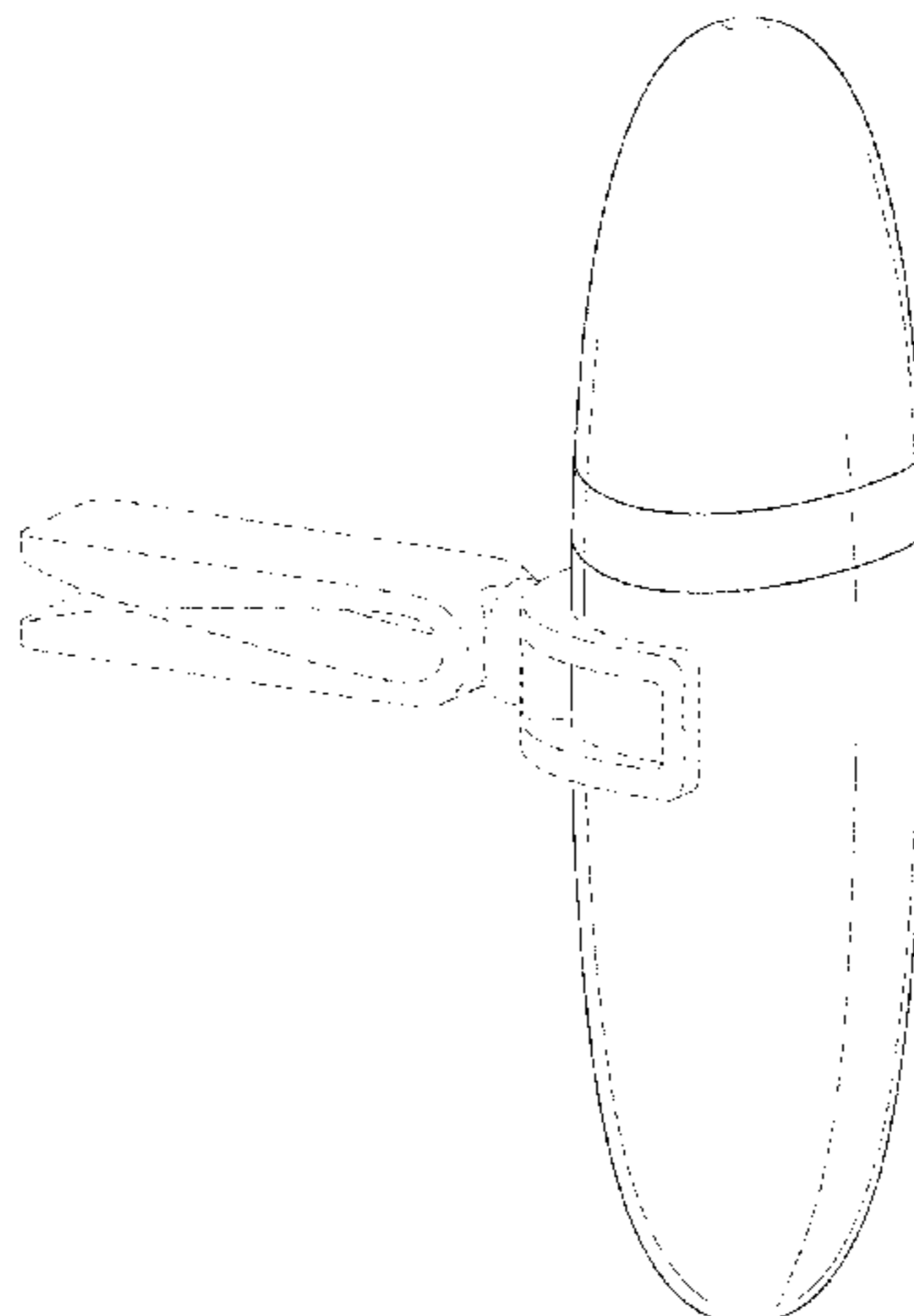
FIG. 1 is a perspective view of a portable aromatherapy stick showing my new design;
FIG. 2 is another perspective view thereof;
FIG. 3 is a front view thereof;
FIG. 4 is a rear view thereof;
FIG. 5 is a left side view thereof;
FIG. 6 is a right side view thereof;
FIG. 7 is a top view thereof;
FIG. 8 is a bottom view thereof; and,
FIG. 9 is a perspective view of the portable aromatherapy stick as shown in FIG. 1, detached from environment for clarity of disclosure.
The broken lines showing in the views are for the purpose of illustrating unclaimed subject matter only and form no part of the claimed design.

(56) **References Cited**

U.S. PATENT DOCUMENTS

- 1,494,861 A * 5/1924 Mueller A23G 3/50 426/104
- D117,150 S * 10/1939 Robinson D23/362
- 2,326,510 A * 8/1943 Worden A01K 93/00 43/43.15
- 2,406,252 A * 8/1946 Potter A01K 93/00 43/17.2
- D166,420 S * 4/1952 Schluttig D11/2
- 3,867,783 A * 2/1975 Simpson A01K 93/00 43/44.91
- 4,891,903 A * 1/1990 Wymore A01K 95/00 43/44.89

1 Claim, 8 Drawing Sheets



(56)

References Cited

U.S. PATENT DOCUMENTS

5,803,268 A * 9/1998 Levy A45D 34/00
132/315
D471,532 S * 3/2003 Solland D14/211
D532,094 S * 11/2006 Hundertmark D23/366
D535,441 S * 1/2007 Maddy D28/76
7,290,496 B2 * 11/2007 Asfar B63C 11/42
114/312
D568,935 S * 5/2008 Qiu D19/163
D582,026 S * 12/2008 Weggelaar D23/366
D645,214 S * 9/2011 Lee D1/106
D648,862 S * 11/2011 Yen D24/215
D725,822 S * 3/2015 Liu D27/101
D771,317 S * 11/2016 Pires D28/76
D801,580 S * 10/2017 Barrantes D27/189
D801,584 S * 10/2017 Hasegawa D28/76
D806,310 S * 12/2017 McGarry D27/101
D811,651 S * 2/2018 Abroff D27/101
D815,339 S * 4/2018 Wallace D27/101
D819,263 S * 5/2018 Zhu D27/101
D822,819 S * 7/2018 Li D23/366
D823,534 S * 7/2018 Chen D27/162
D830,625 S * 10/2018 Stone D27/101

* cited by examiner

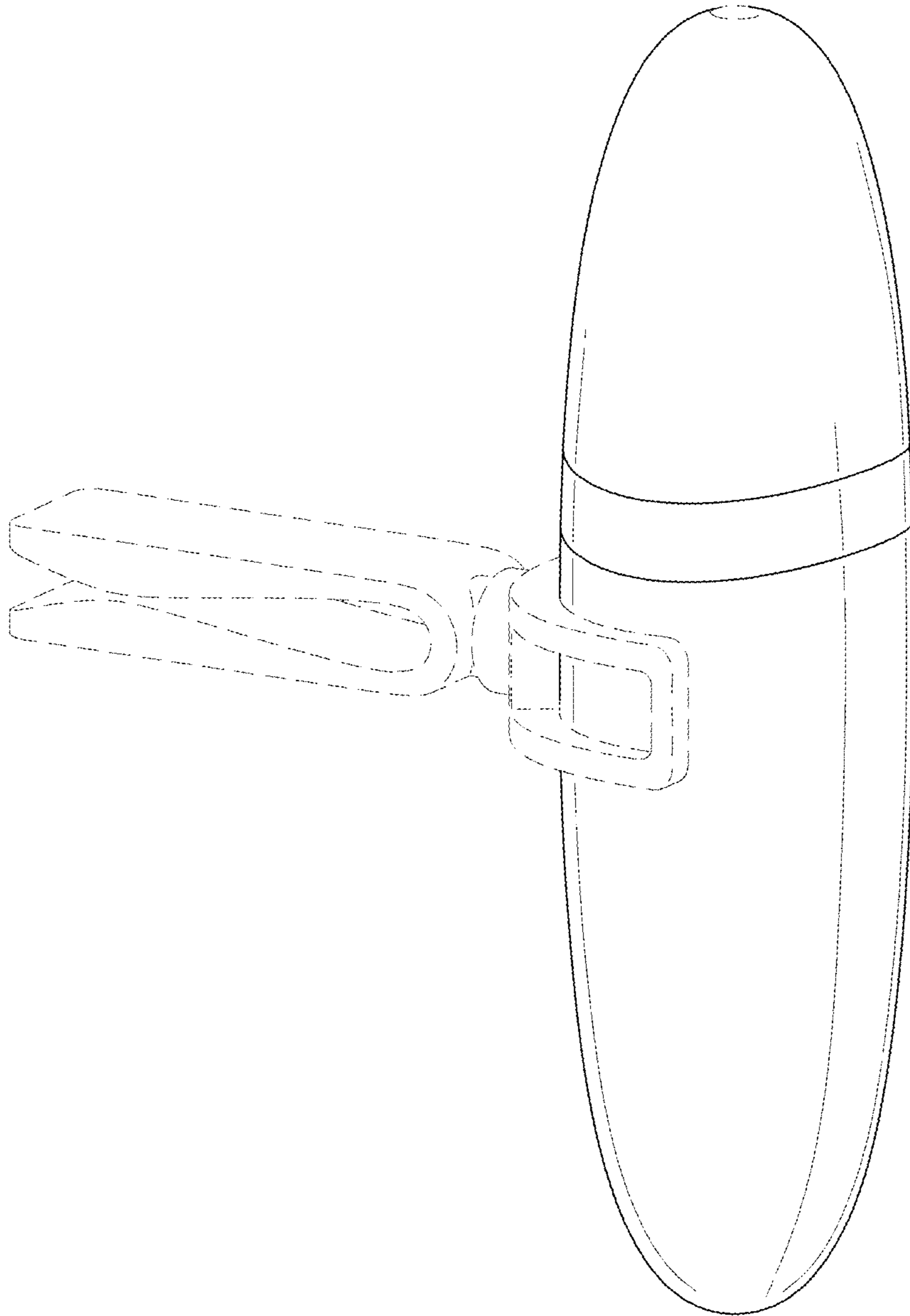


FIG. 1

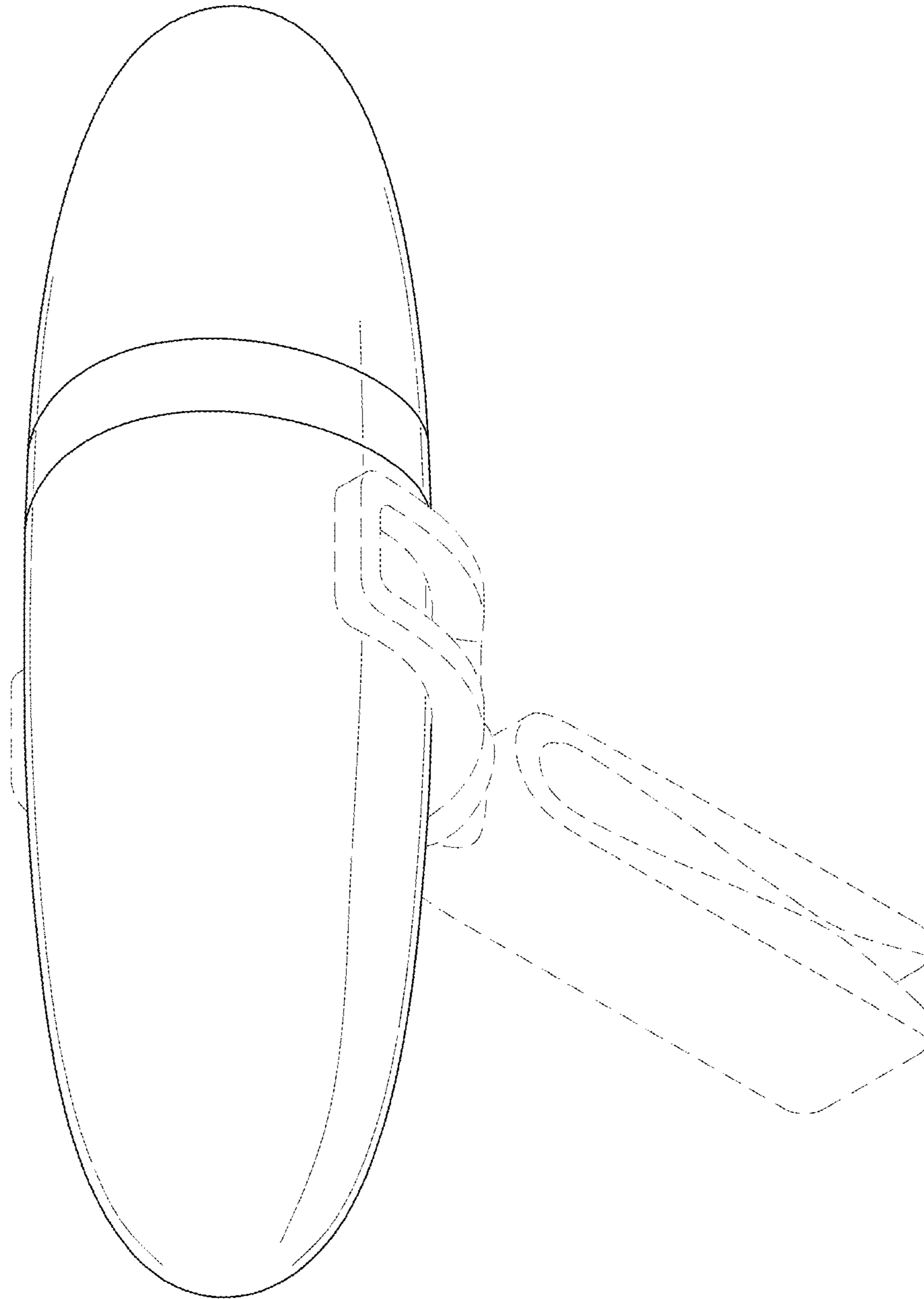


FIG. 2

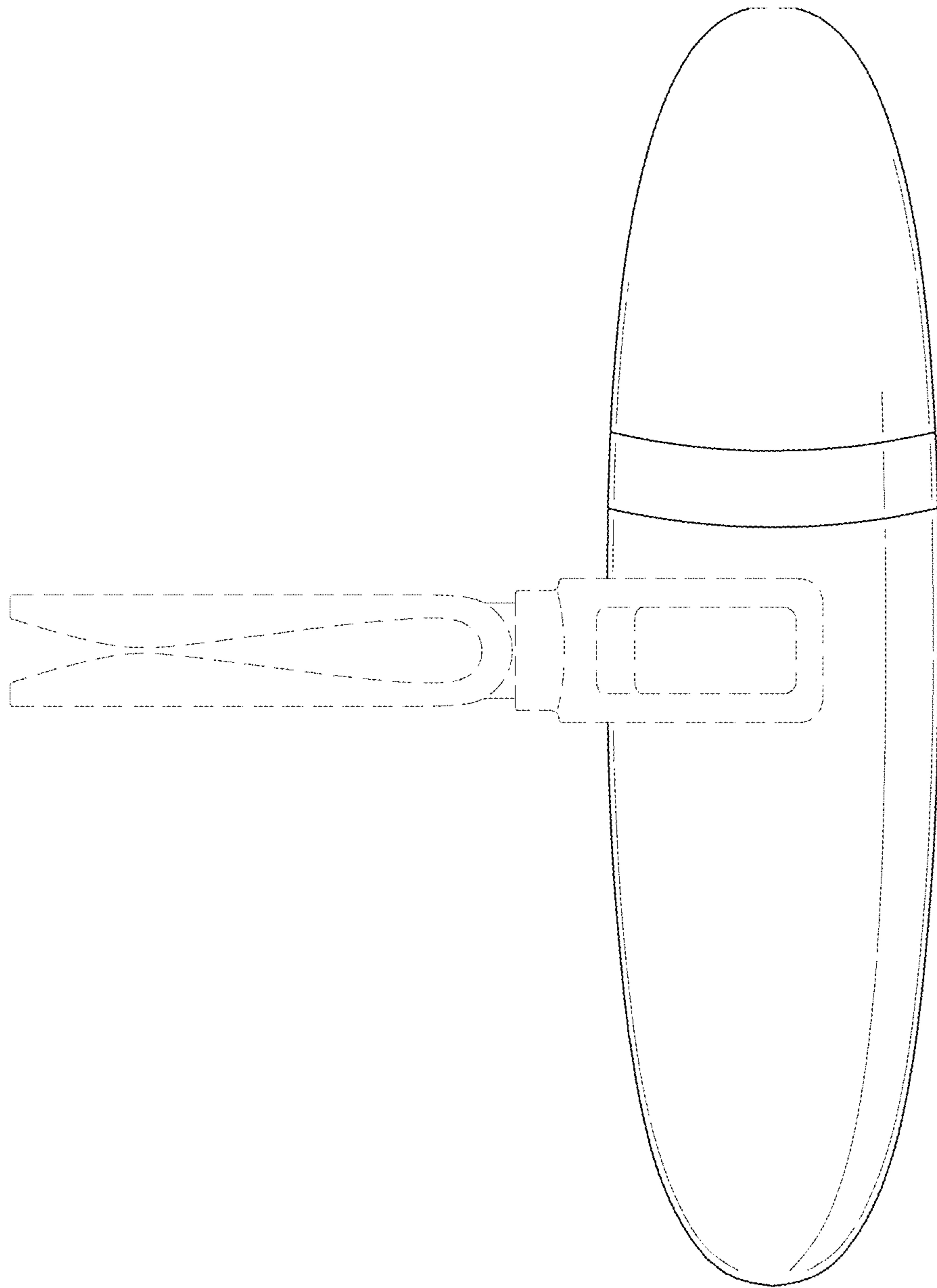


FIG. 3

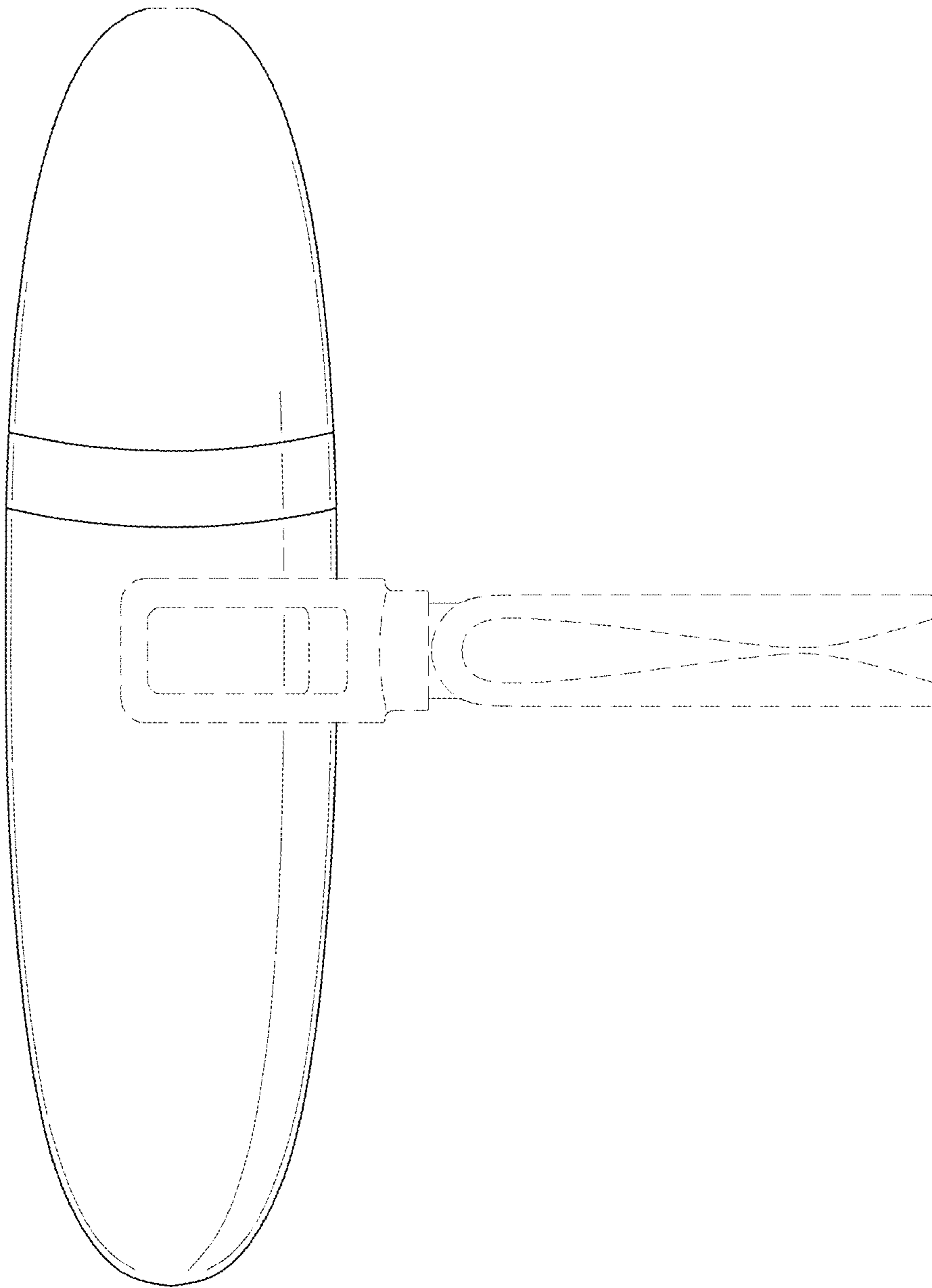


FIG. 4

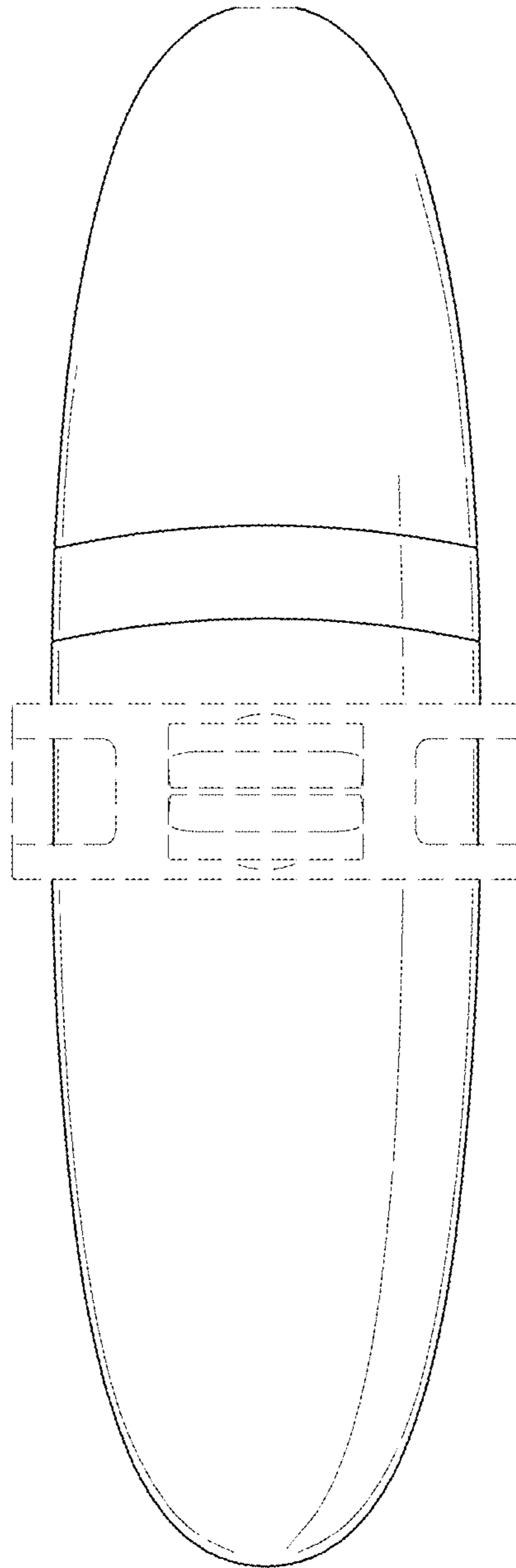


FIG. 5

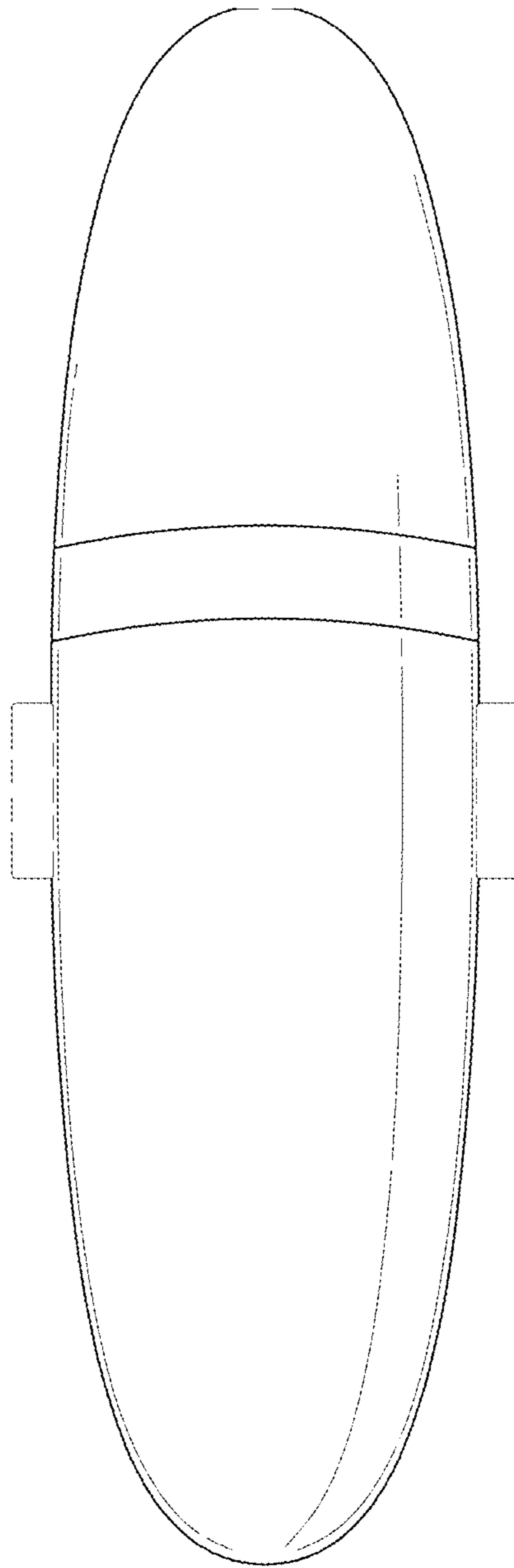


FIG. 6

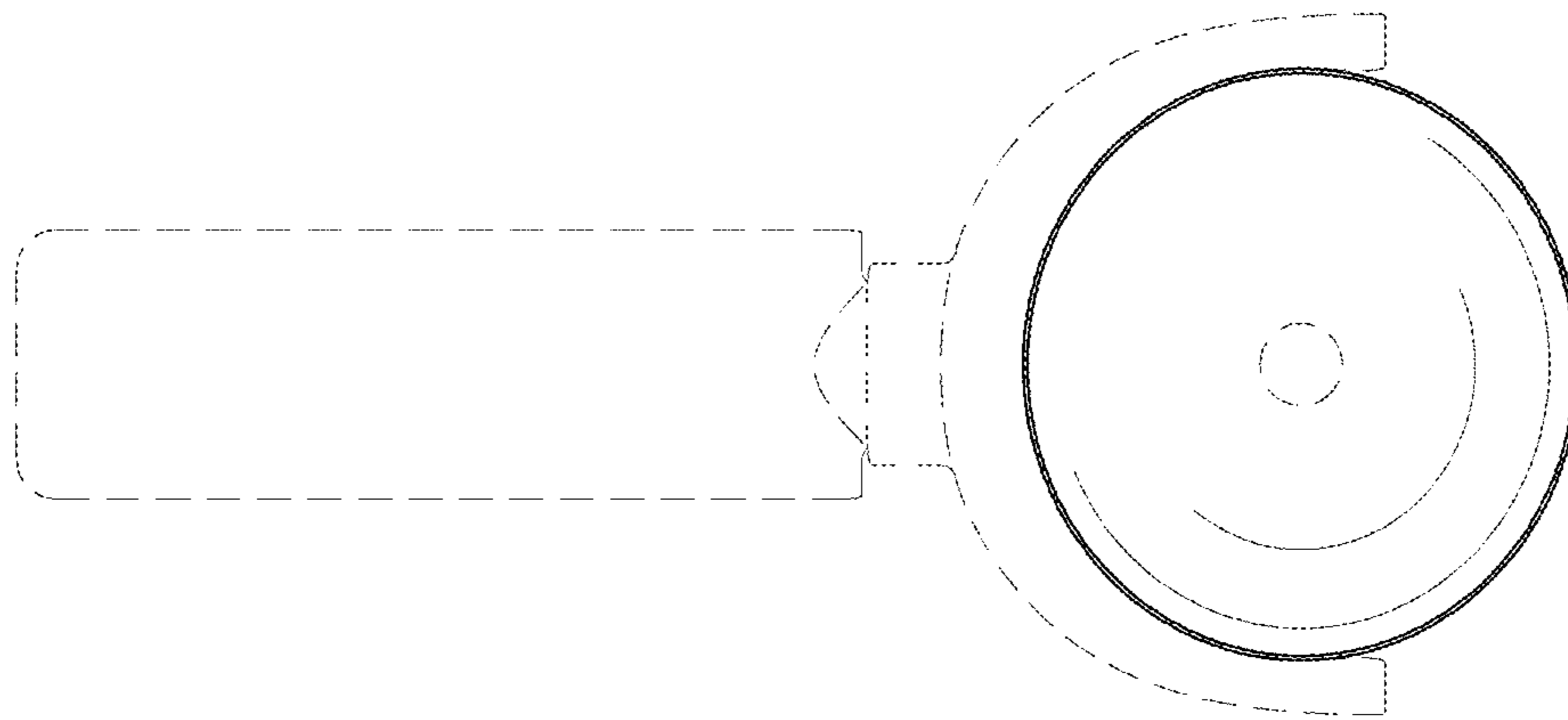


FIG. 7

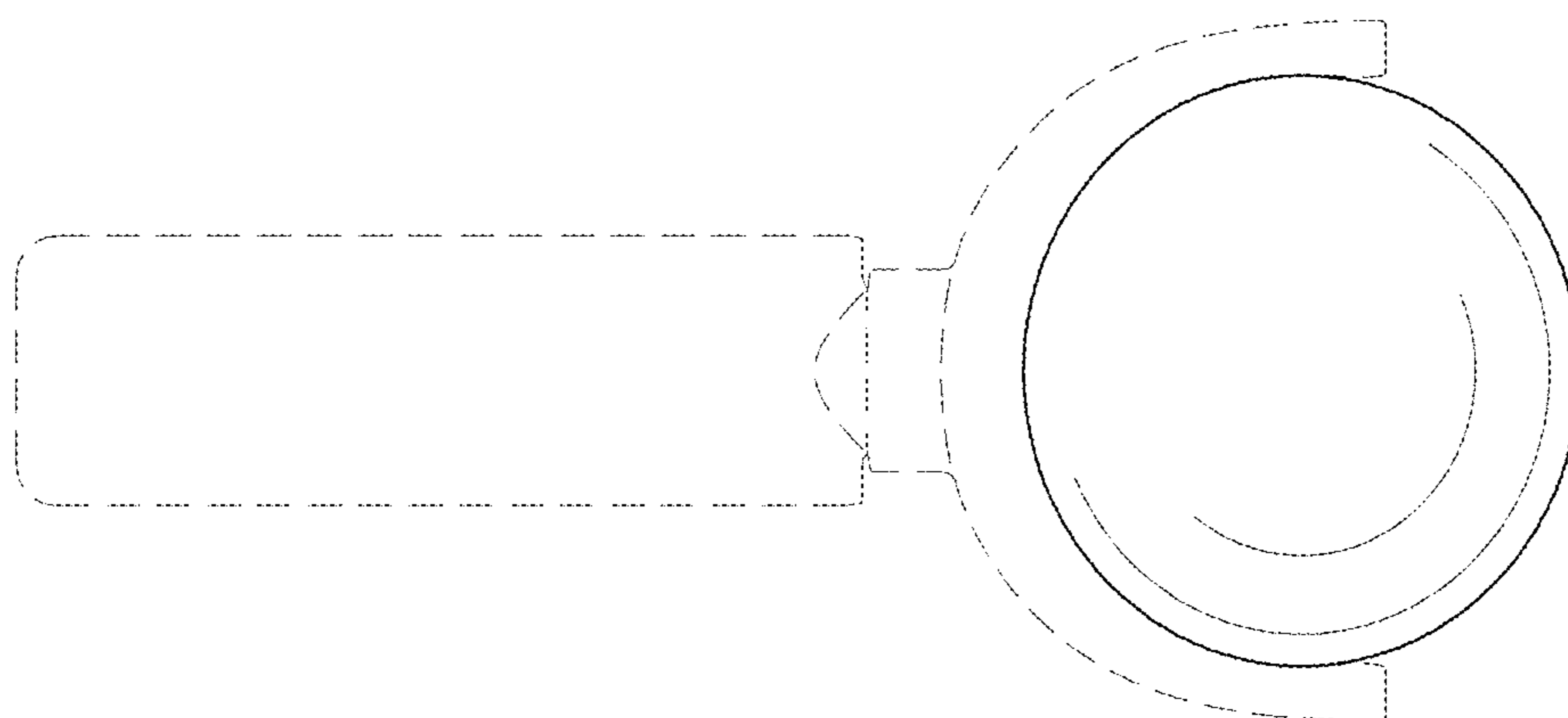


FIG. 8

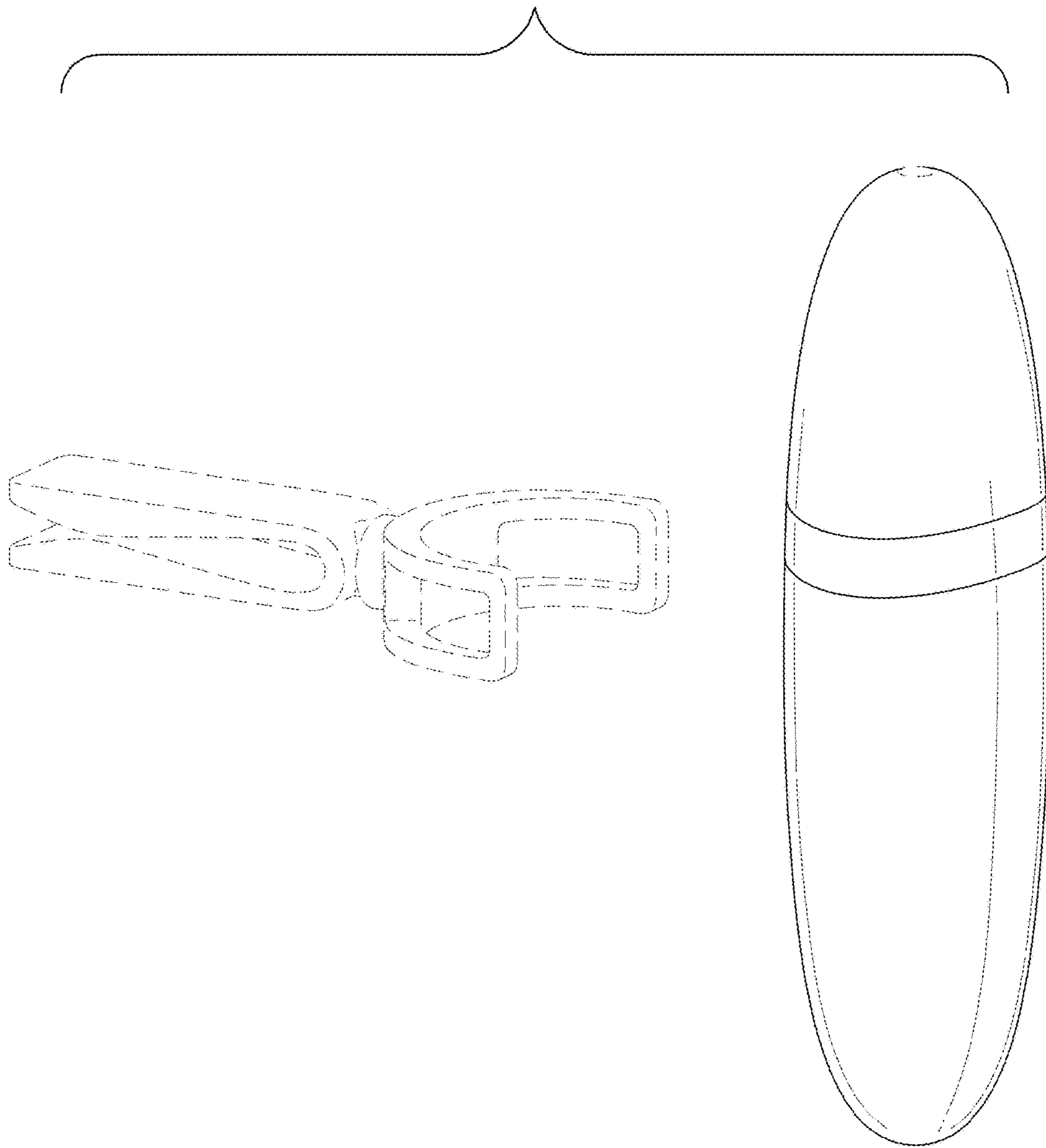


FIG. 9