



US00D864374S

(12) **United States Design Patent**  
**Lee**

(10) **Patent No.:** **US D864,374 S**  
(45) **Date of Patent:** **\*\* Oct. 22, 2019**

- (54) **AROMA CANDLE**
- (71) Applicant: **Bloomy Lotus Ltd**, Hong Kong (HK)
- (72) Inventor: **Leander Lee**, Hong Kong (HK)
- (73) Assignee: **Bloomy Lotus Ltd**, Hong Kong (HK)
- (\*\*) Term: **15 Years**
- (21) Appl. No.: **29/656,165**
- (22) Filed: **Jul. 11, 2018**
- (30) **Foreign Application Priority Data**  
Feb. 13, 2018 (HK) ..... 1800297.8M001
- (51) **LOC (12) Cl.** ..... **23-04**
- (52) **U.S. Cl.**  
USPC ..... **D23/366**
- (58) **Field of Classification Search**  
USPC .... D23/208, 355-369; D14/209.1, 212-213;  
D11/144  
CPC ..... A61L 9/02; A61L 9/03; A61L 9/12; A61L  
9/035; A61L 9/125  
See application file for complete search history.

- D517,183 S \* 3/2006 Huang ..... D23/365
- D557,681 S \* 12/2007 Silva ..... A01M 1/205  
D14/188
- D615,530 S \* 5/2010 Dobson ..... H04R 1/028  
D14/216
- 7,824,627 B2 \* 11/2010 Michaels ..... A01M 1/205  
239/102.2
- D635,653 S \* 4/2011 Conway ..... A01M 1/2033  
D11/152
- D700,591 S \* 3/2014 Xiao ..... D14/216
- D780,160 S \* 2/2017 Hinokio ..... D14/215
- D806,843 S \* 1/2018 McDonnell ..... D23/355
- D807,226 S \* 1/2018 Wessel ..... D11/131.1
- 9,943,068 B2 \* 4/2018 Valle ..... A01K 15/025
- D820,427 S \* 6/2018 Li ..... D23/366
- D847,323 S \* 4/2019 Gan ..... D23/356
- 2011/0148329 A1 \* 6/2011 Demarest ..... A01M 1/2033  
315/313

\* cited by examiner

*Primary Examiner* — Sheryl Lane  
*Assistant Examiner* — Calvin E Vansant

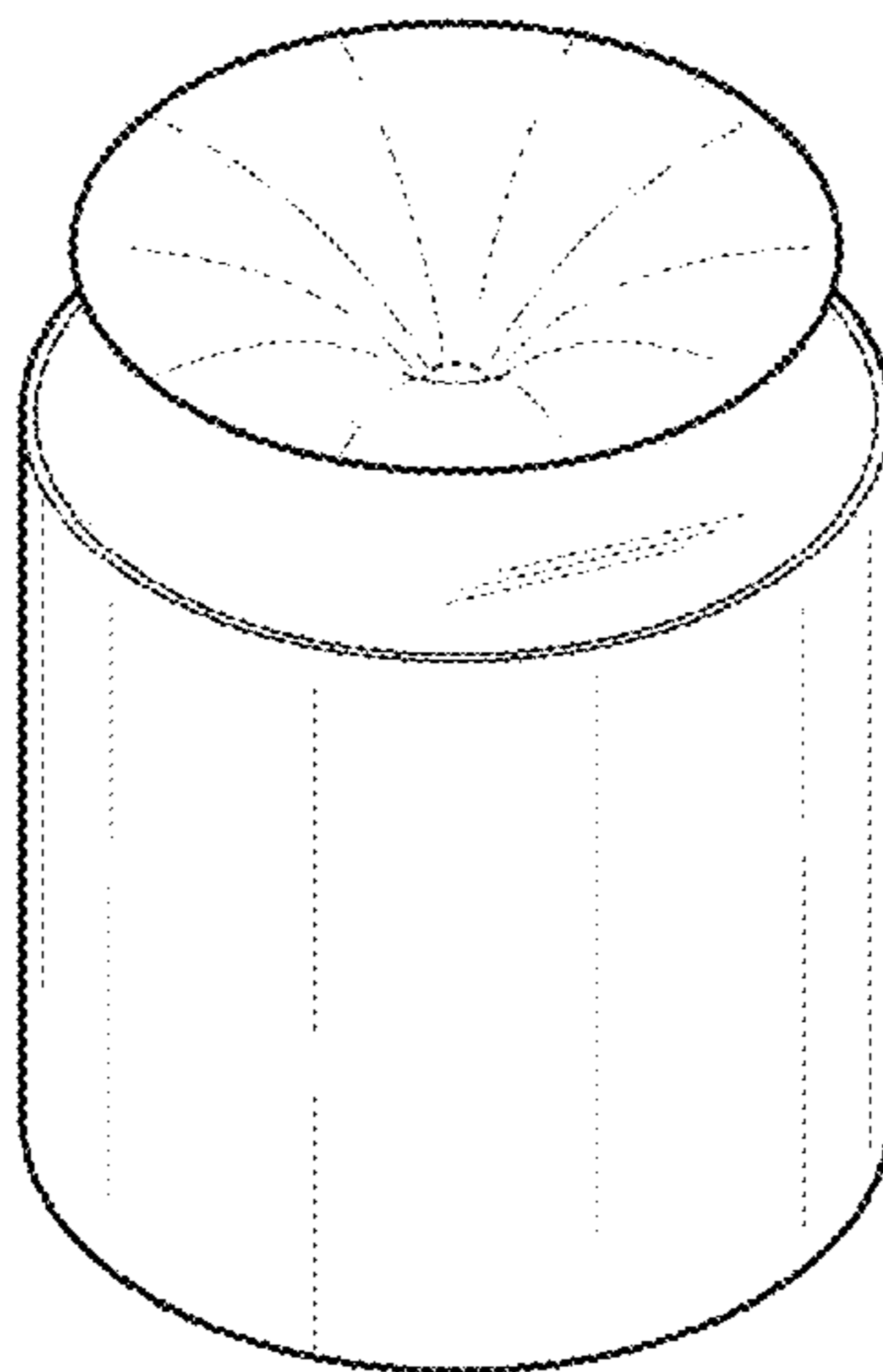
(57) **CLAIM**

The ornamental design for an aroma candle, as shown and described.

**DESCRIPTION**

FIG. 1 is a front elevational view of an aroma candle showing my new design;  
FIG. 2 is a rear elevational view thereof;  
FIG. 3 is a left side view thereof;  
FIG. 4 is a right side view thereof;  
FIG. 5 is a top plan view thereof;  
FIG. 6 is a bottom plan view thereof;  
FIG. 7 is a top perspective view thereof; and,  
FIG. 8 is a bottom perspective view thereof.  
The broken lines in the drawings illustrate portions of the aroma candle which form no part of the claimed design.

**1 Claim, 8 Drawing Sheets**



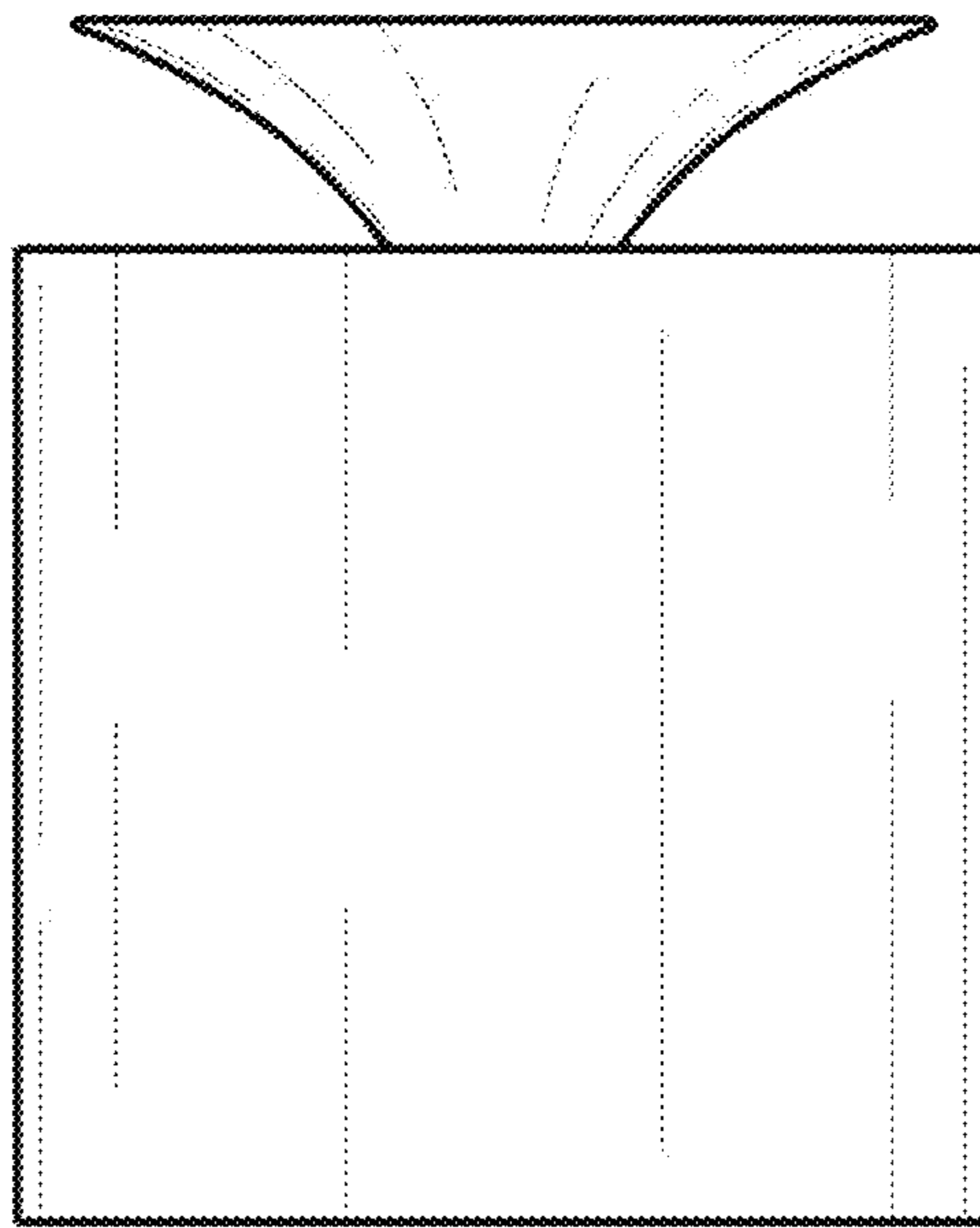


Fig. 1

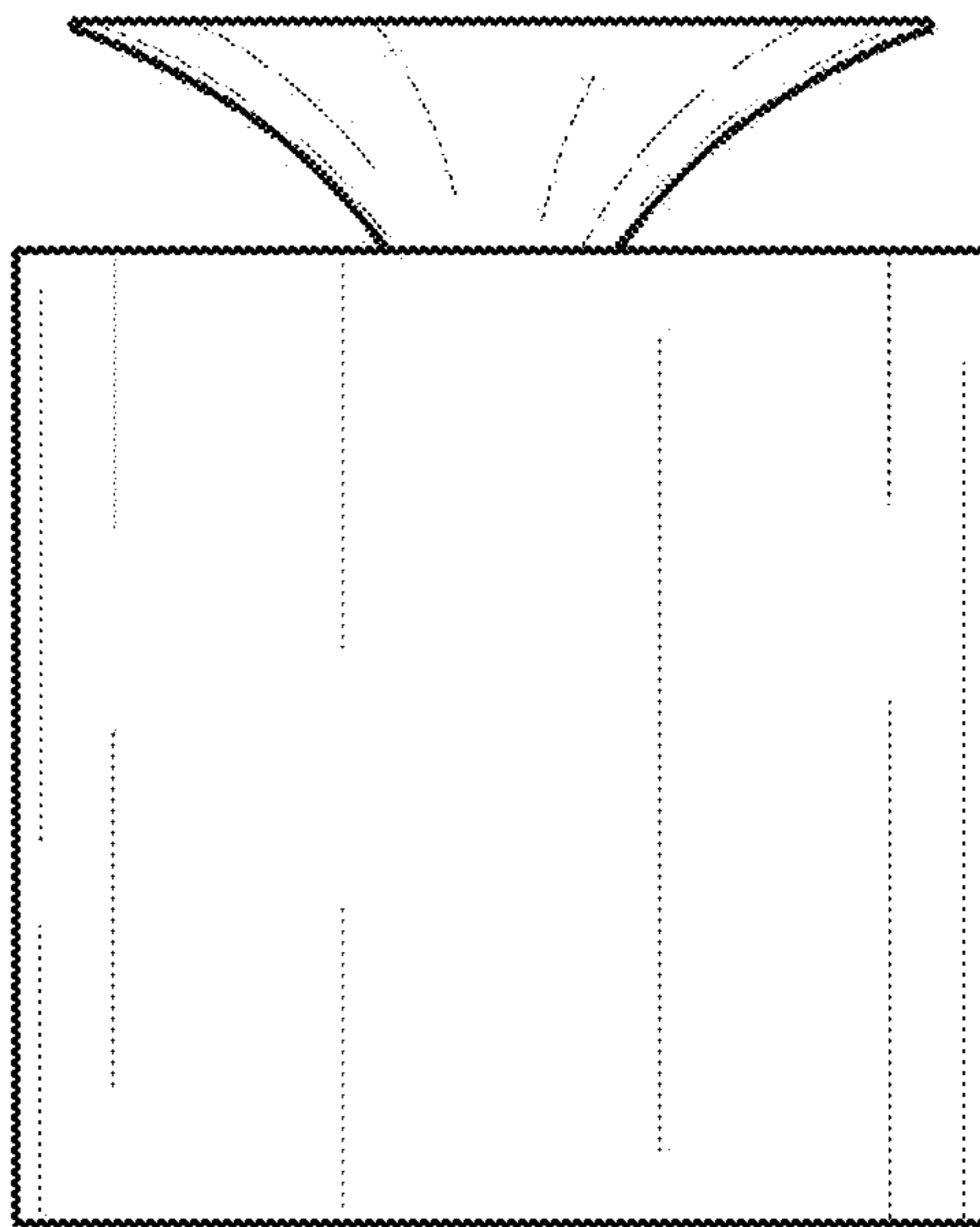


Fig. 2

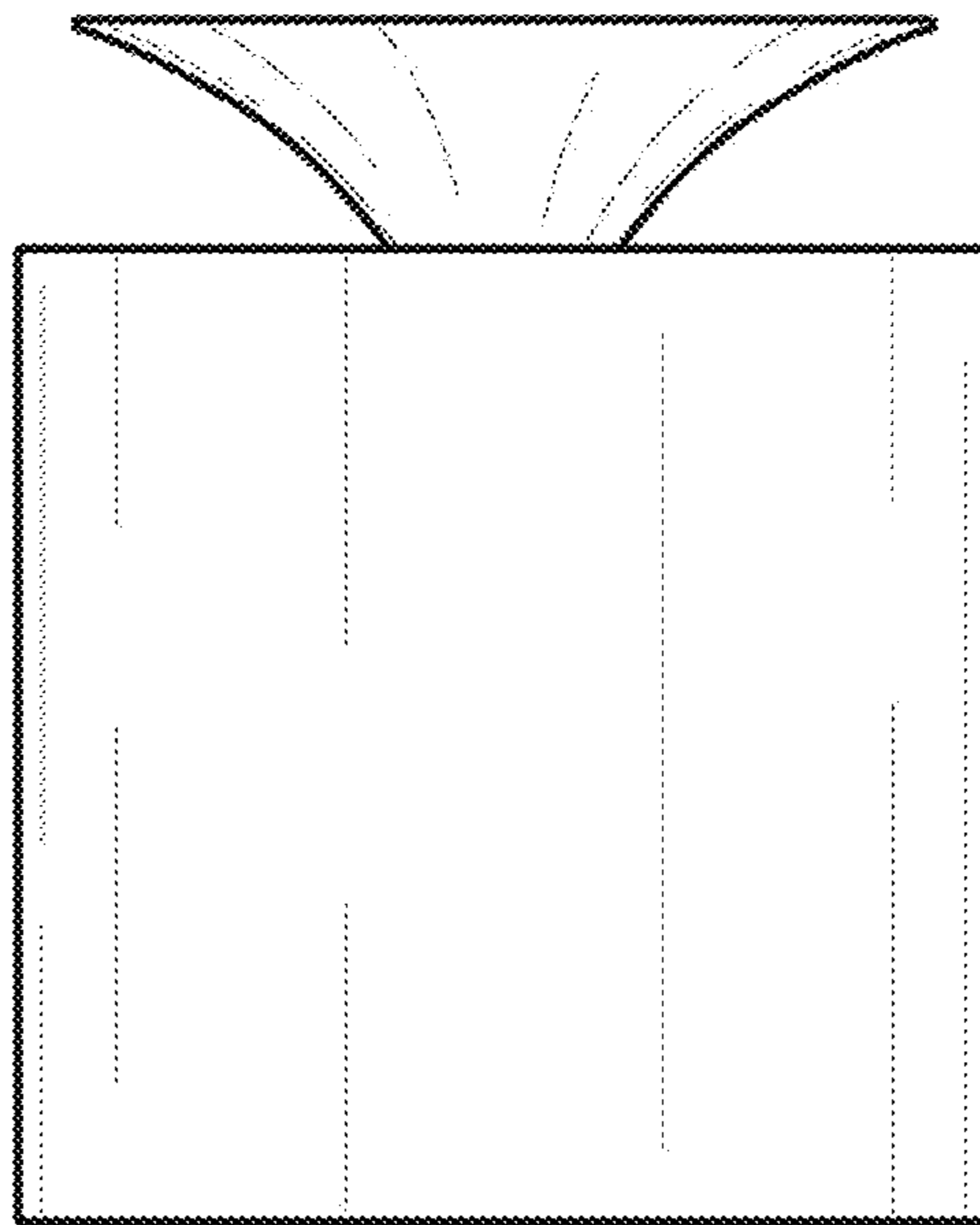


Fig. 3

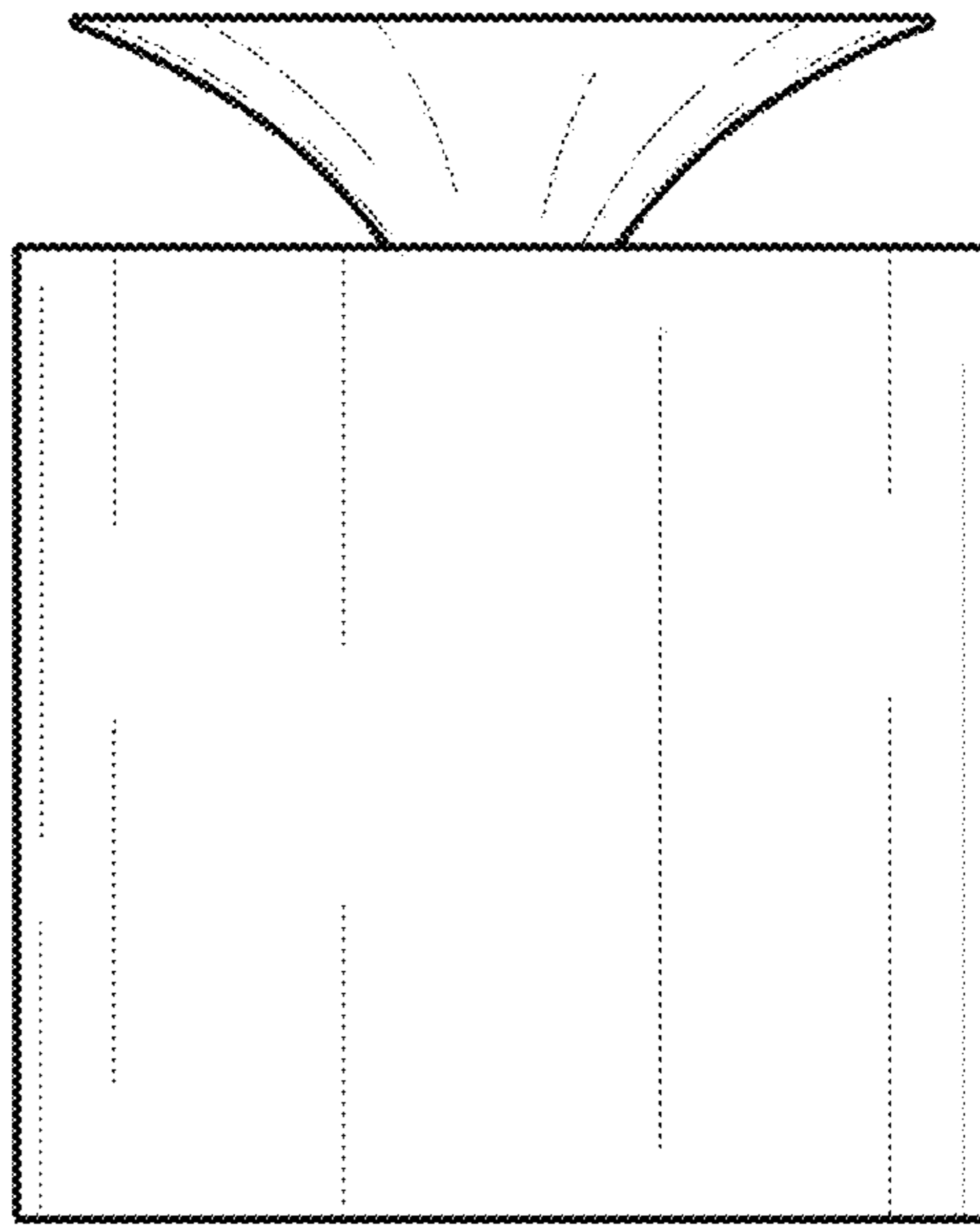


Fig. 4

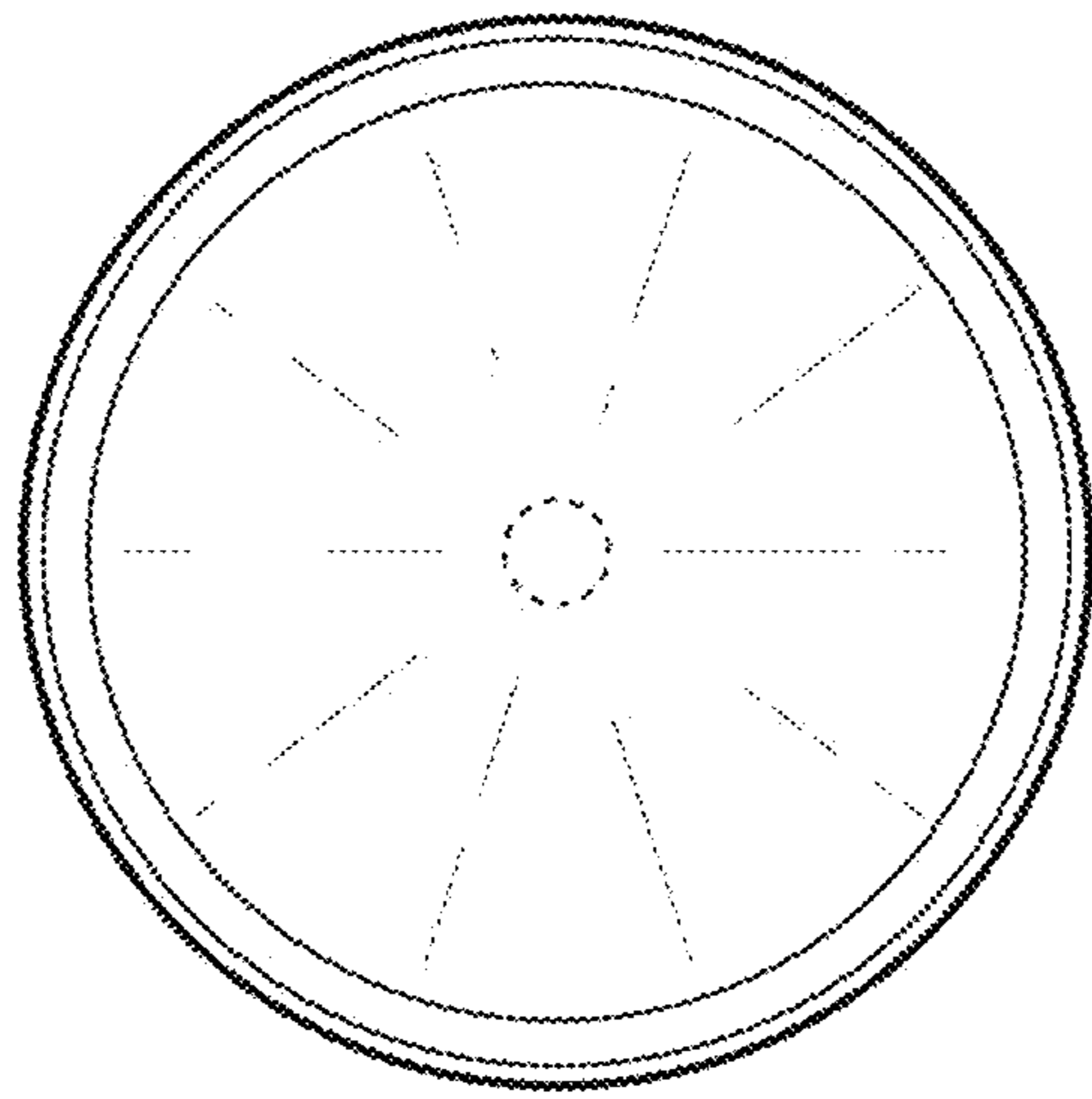


Fig. 5

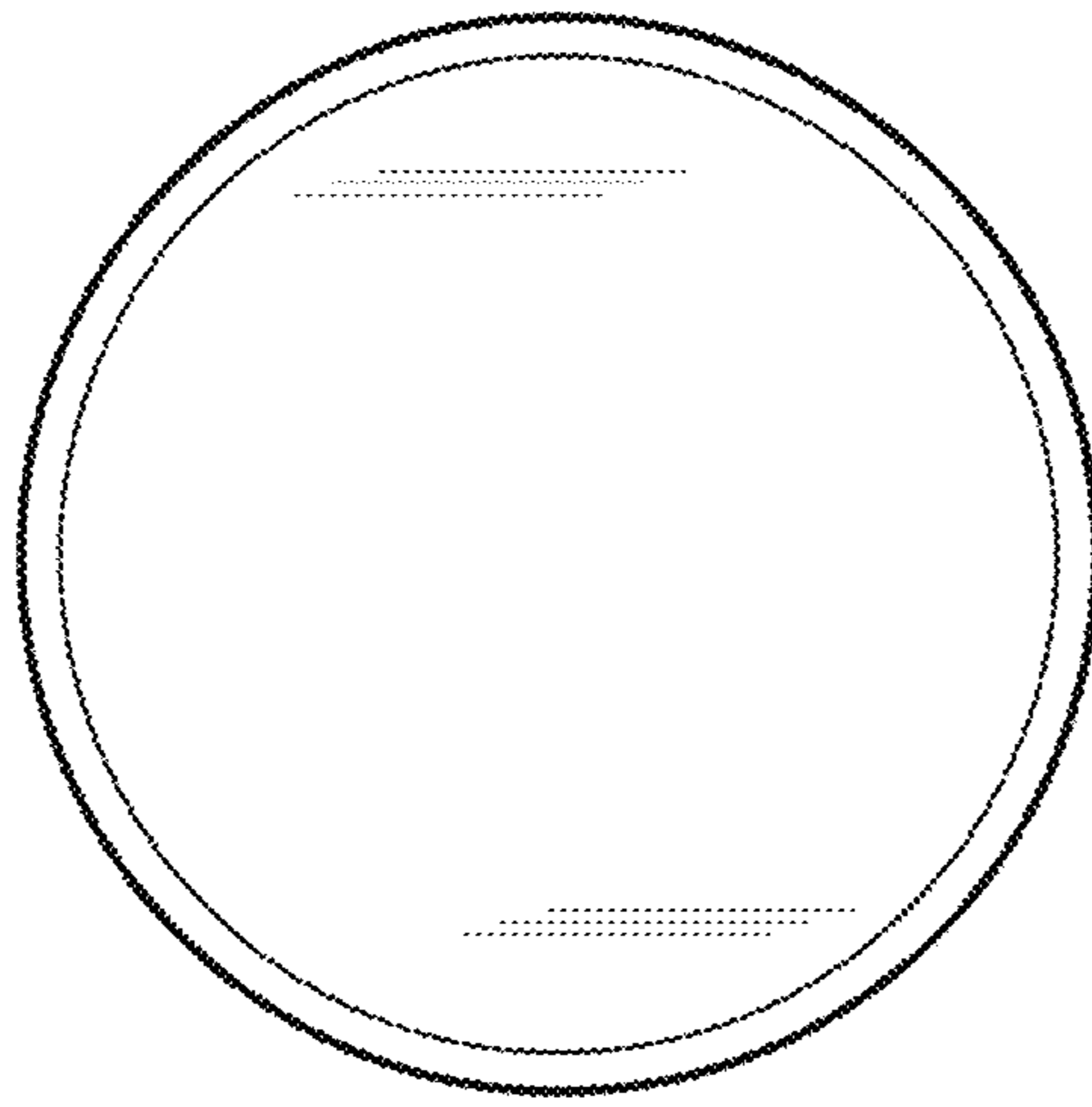


Fig. 6

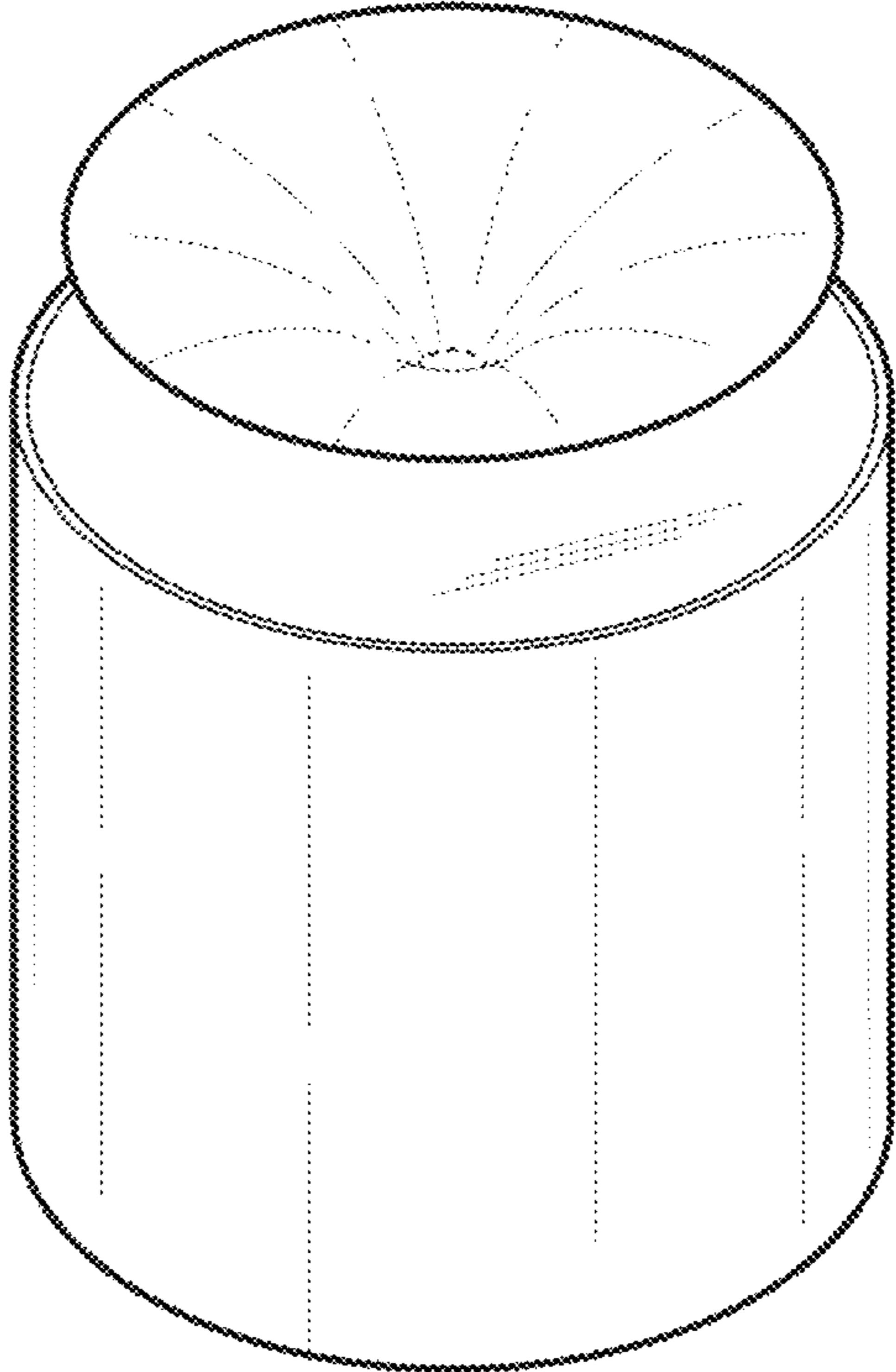


Fig. 7



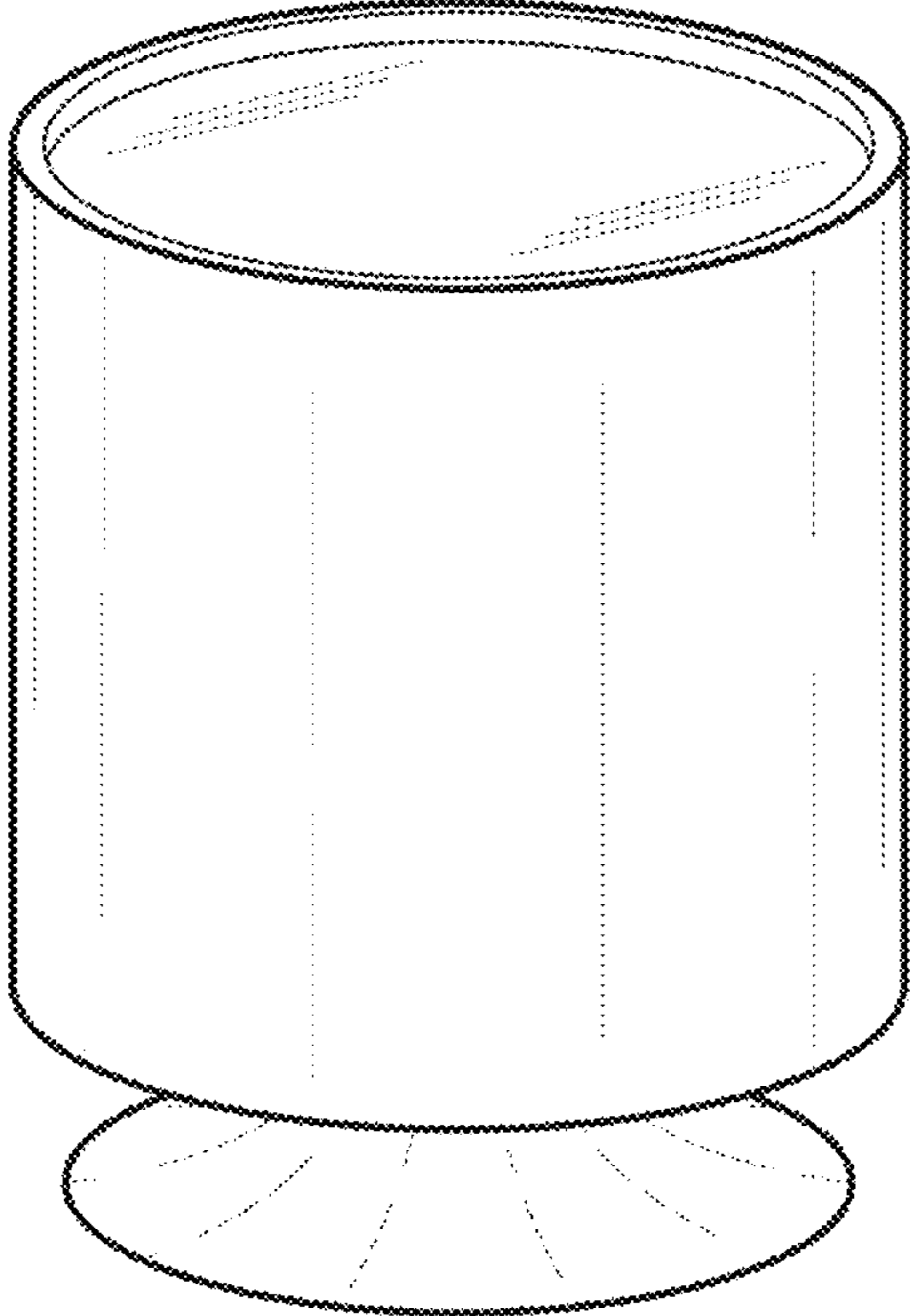


Fig. 8