



US00D864373S

(12) **United States Design Patent**
Lee

(10) **Patent No.:** **US D864,373 S**
(45) **Date of Patent:** **** Oct. 22, 2019**

(54) **AROMA DIFFUSER**

(71) Applicant: **Bloomy Lotus Ltd**, Hong Kong (HK)

(72) Inventor: **Leander Lee**, Hong Kong (HK)

(73) Assignee: **Bloomy Lotus Ltd**, Hong Kong (HK)

(**) Term: **15 Years**

(21) Appl. No.: **29/654,260**

(22) Filed: **Jun. 22, 2018**

(30) **Foreign Application Priority Data**

Jan. 9, 2018 (HK) 180038.0M002

(51) **LOC (12) Cl.** **23-04**

(52) **U.S. Cl.**
USPC **D23/366**

(58) **Field of Classification Search**
USPC D23/208, 355-369; D14/209.1, 212-213;
D11/144
CPC A61L 9/02; A61L 9/03; A61L 9/12; A61L
9/035; A61L 9/125
See application file for complete search history.

(56) **References Cited**

U.S. PATENT DOCUMENTS

D757,921 S * 5/2016 Li D23/366
D800,287 S * 10/2017 Sevy D23/366

D801,506 S * 10/2017 Sevy D23/366
D810,260 S * 2/2018 Sevy A01M 1/205
D23/366
D827,802 S * 9/2018 Chen D23/366
D828,152 S * 9/2018 Huang D8/397
2006/0115386 A1 * 6/2006 Michaels A01M 1/205
422/123

* cited by examiner

Primary Examiner — Vy N Koenig
Assistant Examiner — Calvin E Vansant

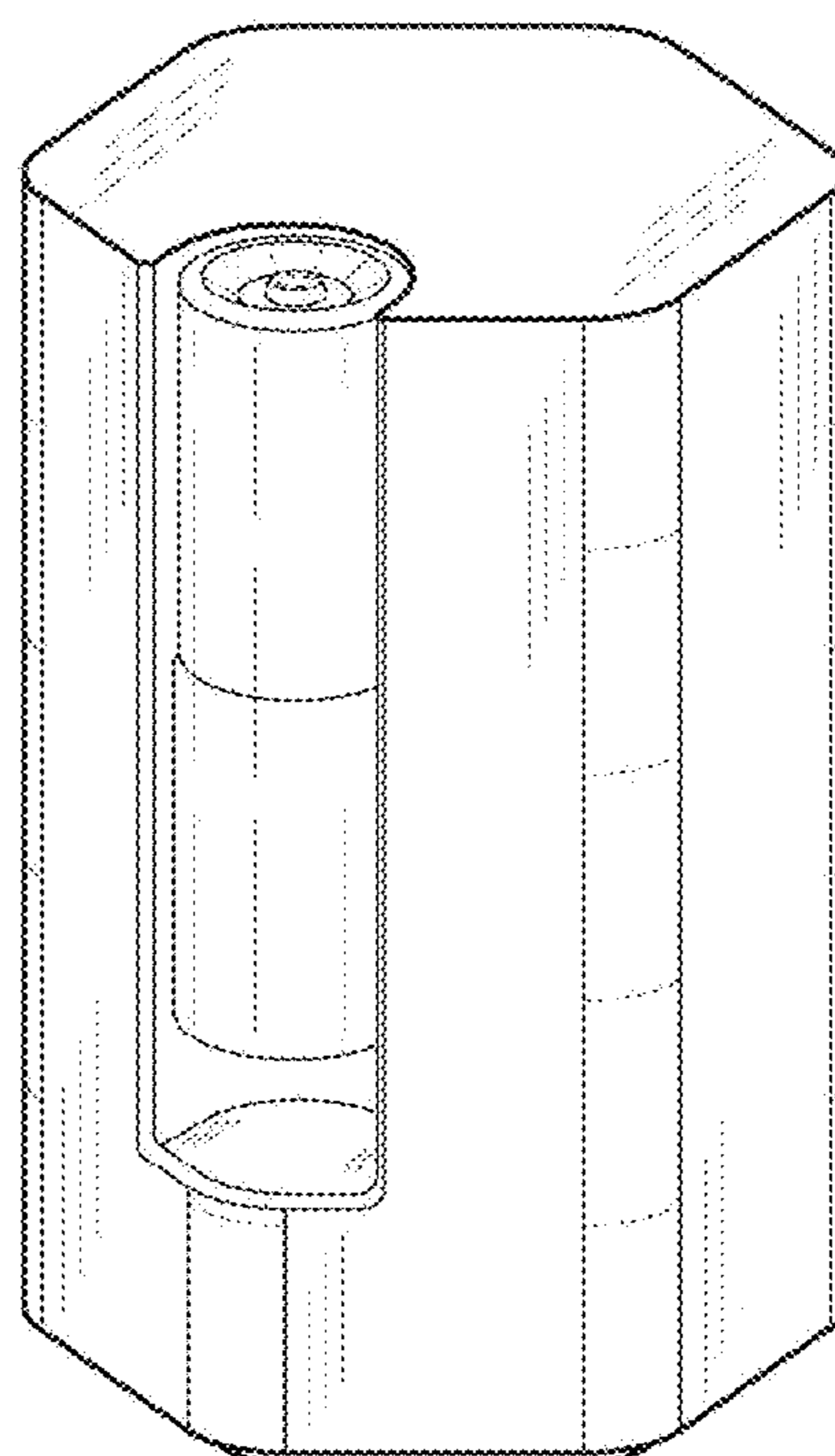
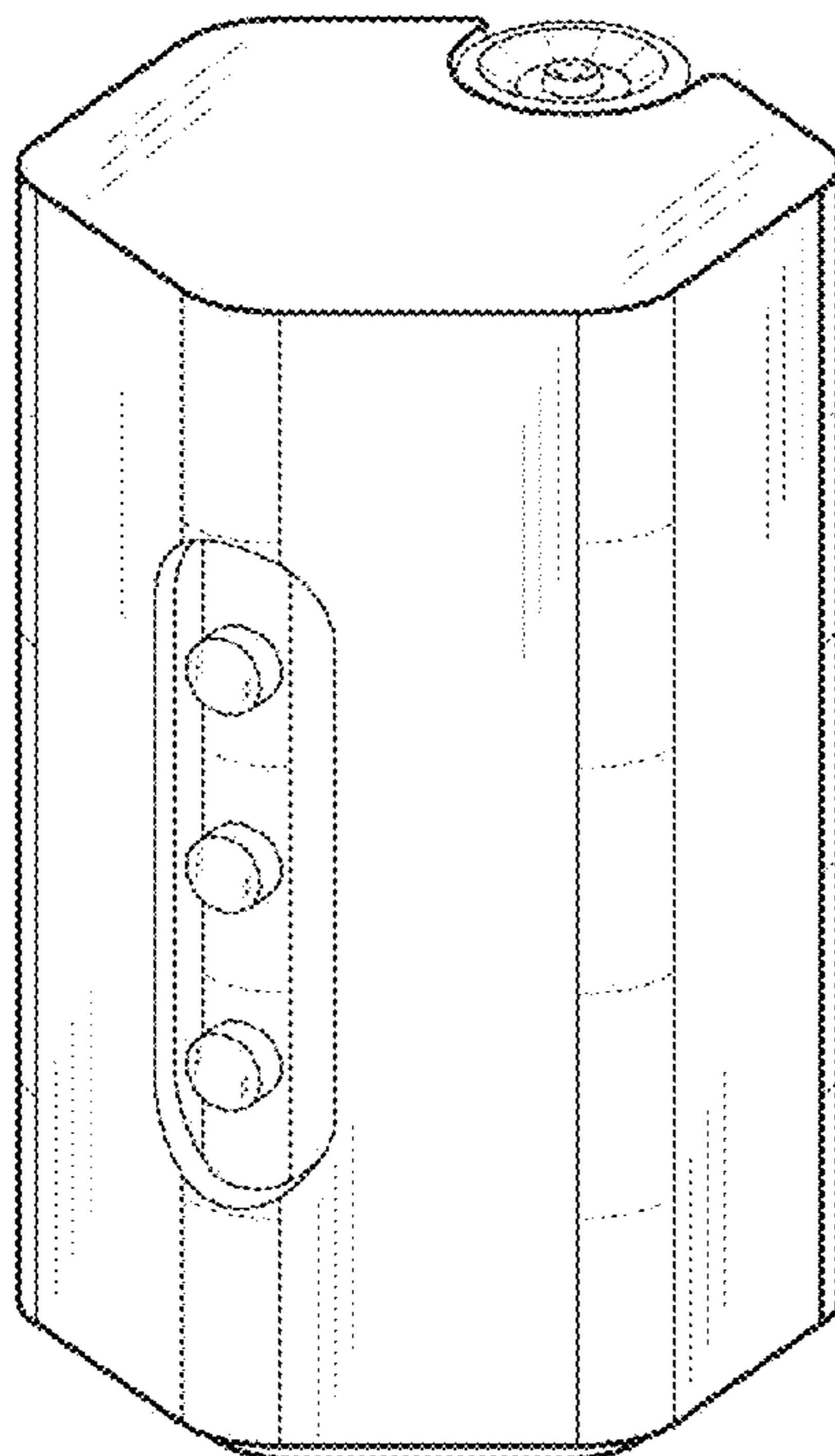
(57) **CLAIM**

The ornamental design for an aroma diffuser, as shown and described.

DESCRIPTION

FIG. 1 is a front elevational view of an aroma diffuser showing my new design;
FIG. 2 is a rear elevational view thereof;
FIG. 3 is a left side view thereof;
FIG. 4 is a right side view thereof;
FIG. 5 is a top plan view thereof;
FIG. 6 is a bottom plan view thereof;
FIG. 7 is a top, front and right side perspective view thereof;
and,
FIG. 8 is a top, rear and left side perspective view thereof.
The broken lines in the drawings illustrate portions of the aroma diffuser which form no part of the claimed design.

1 Claim, 8 Drawing Sheets



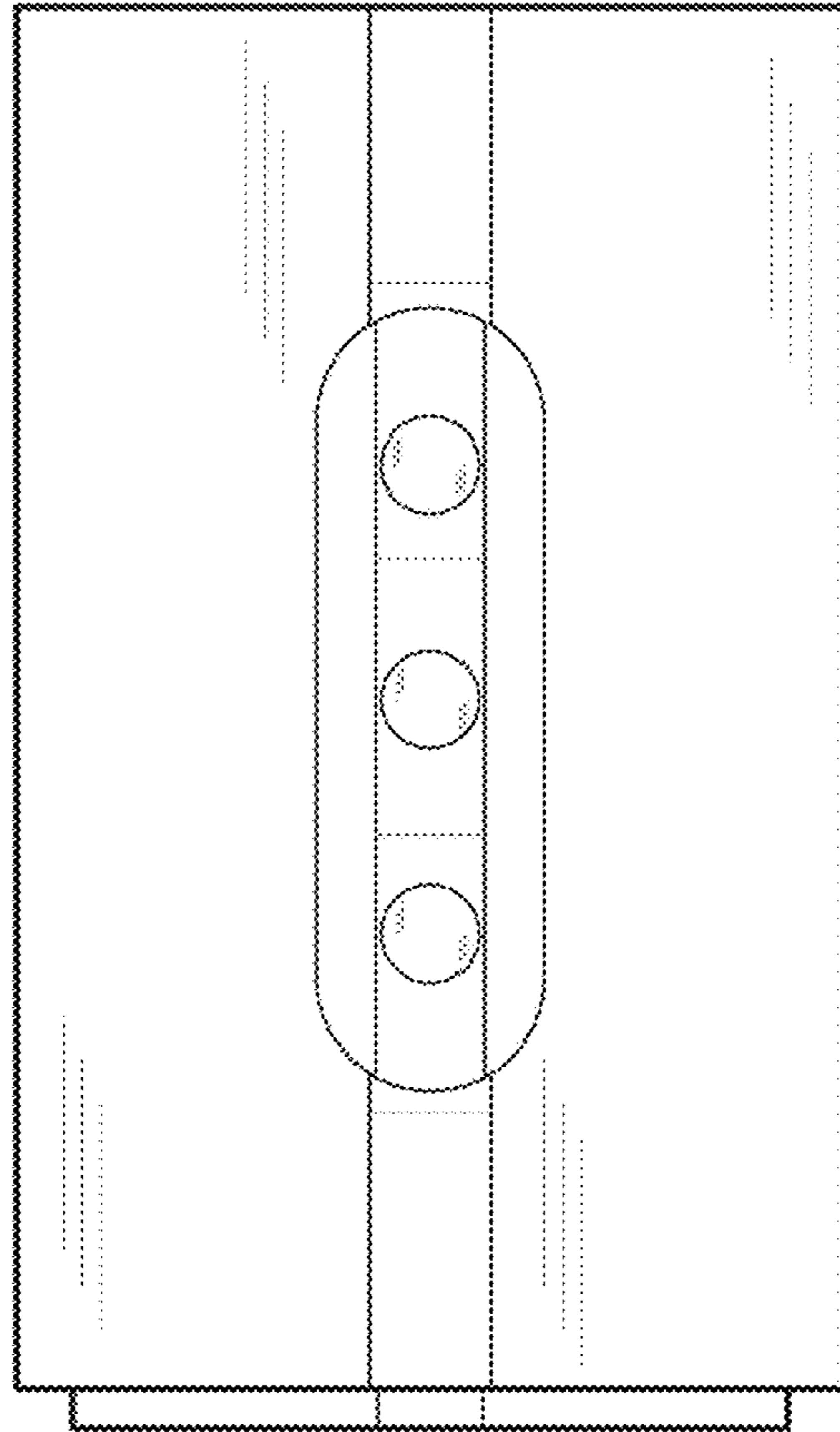


Fig. 1

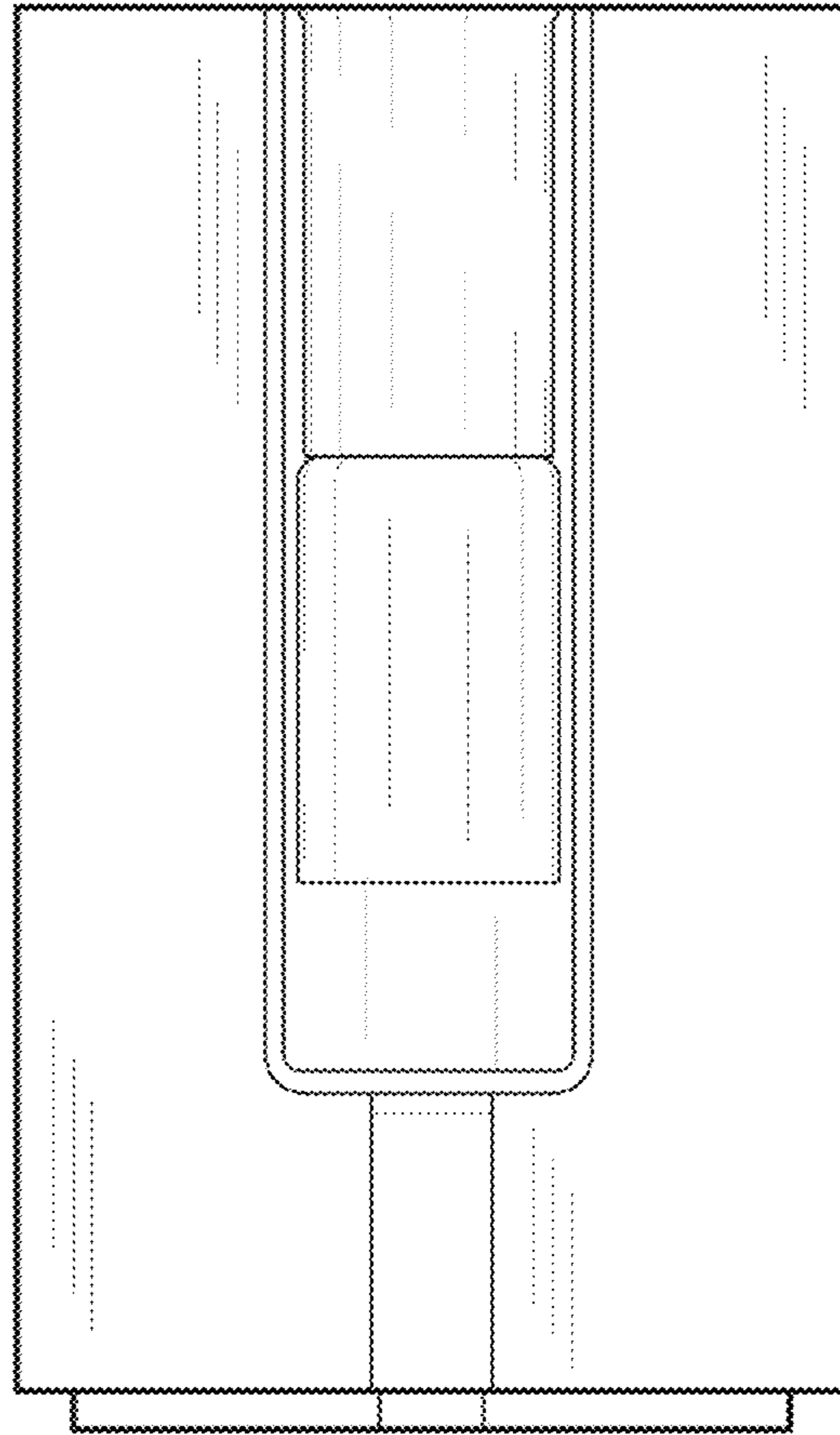


Fig. 2

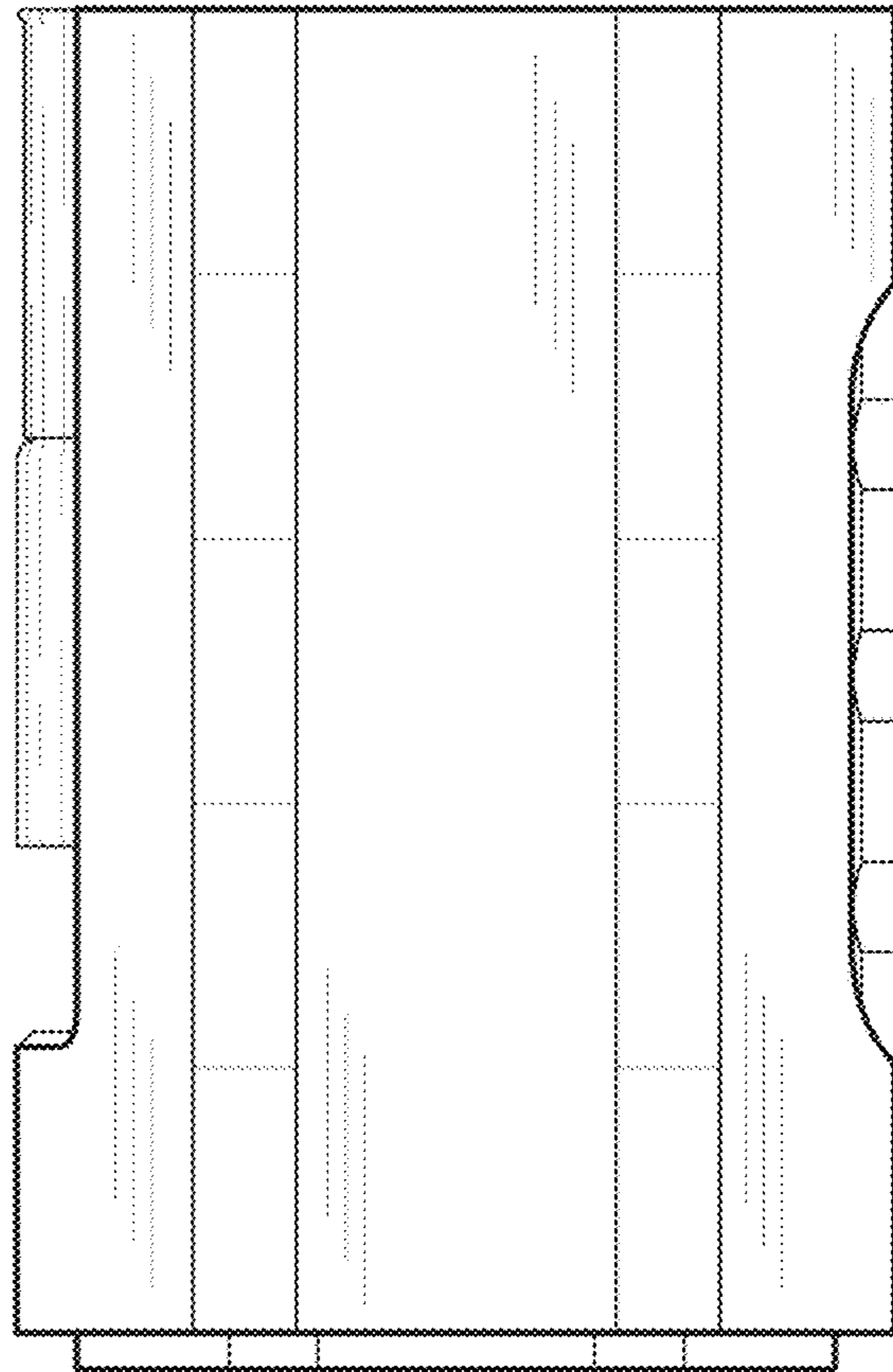


Fig. 3

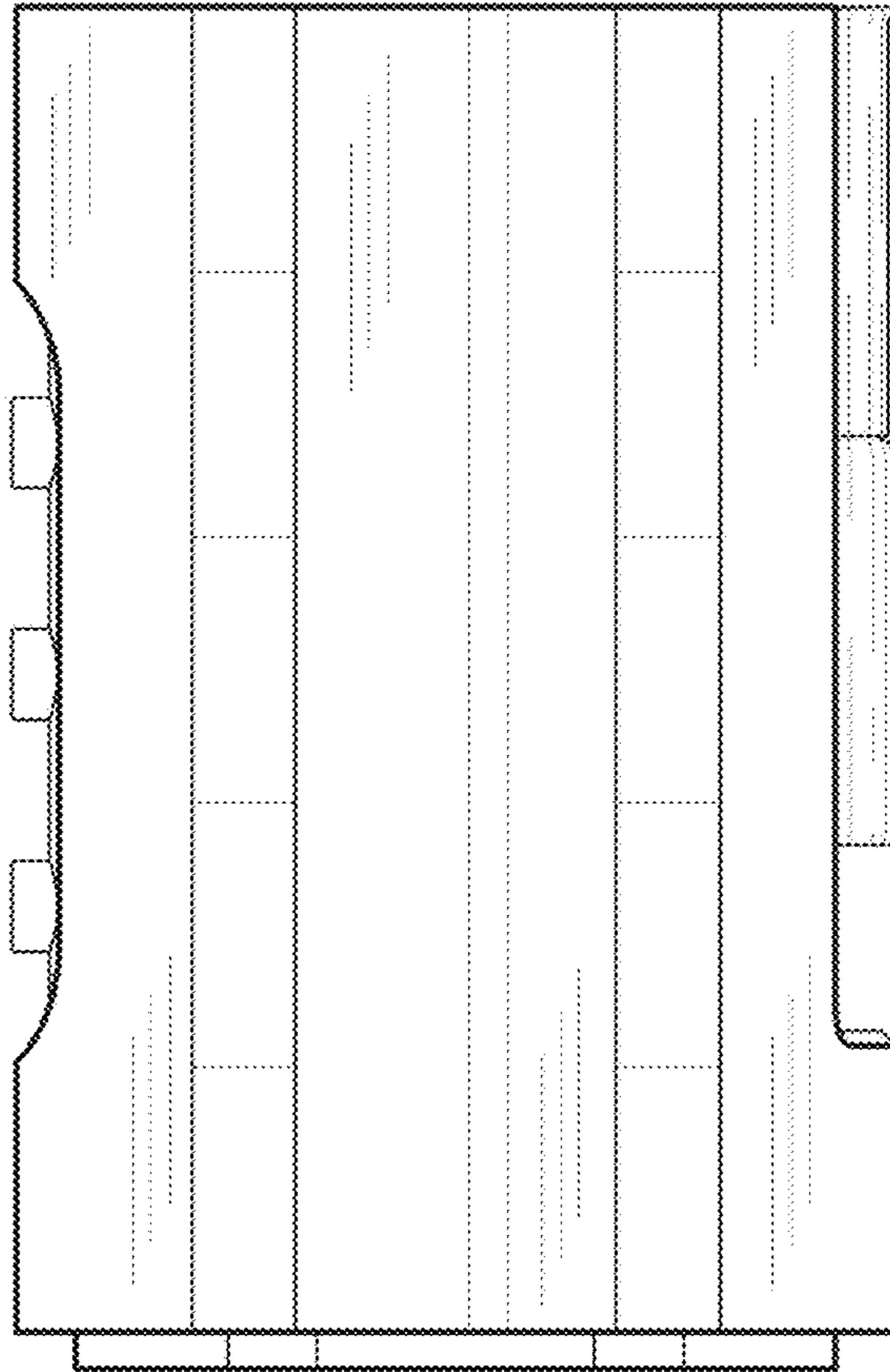


Fig. 4

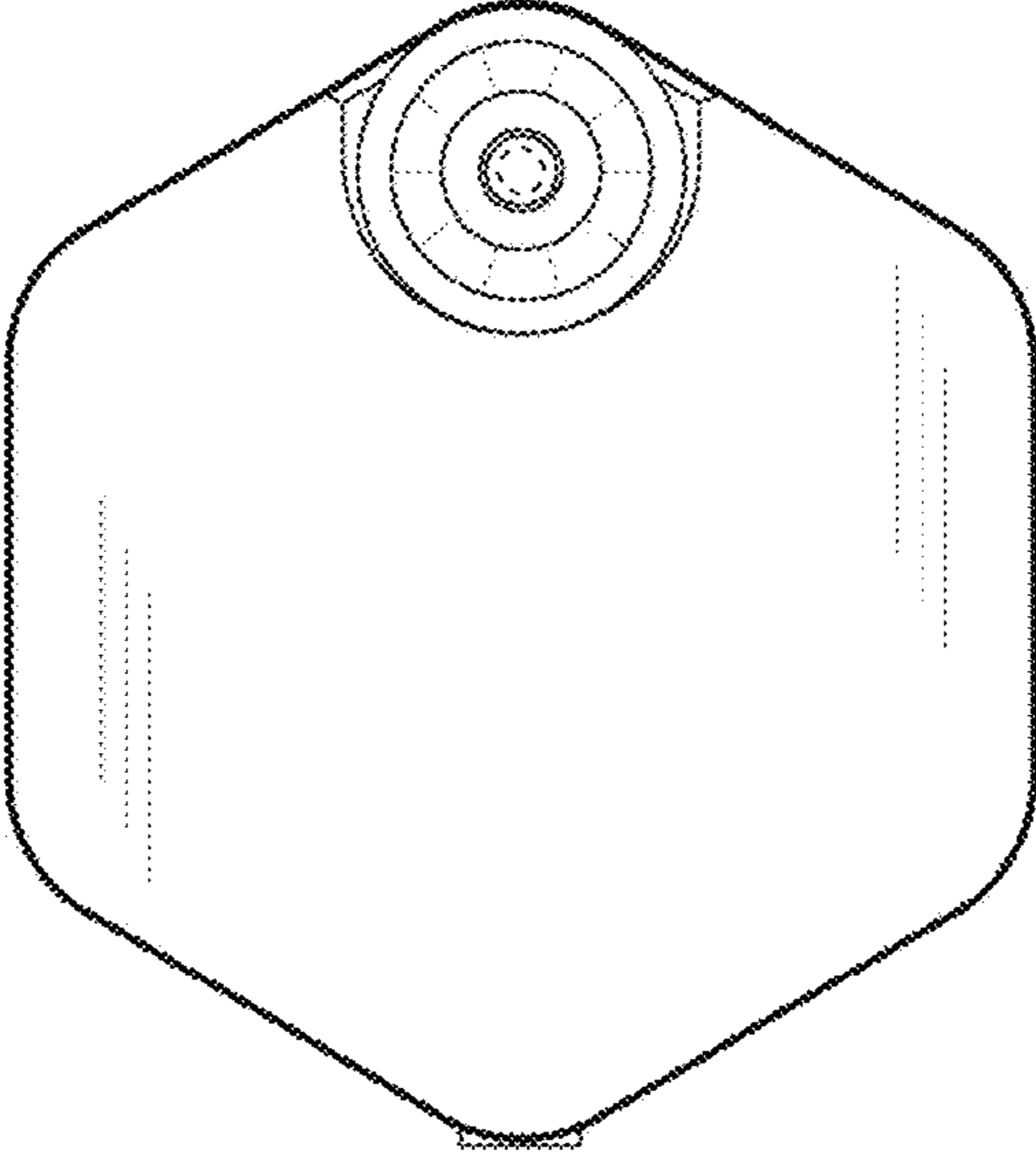


Fig. 5

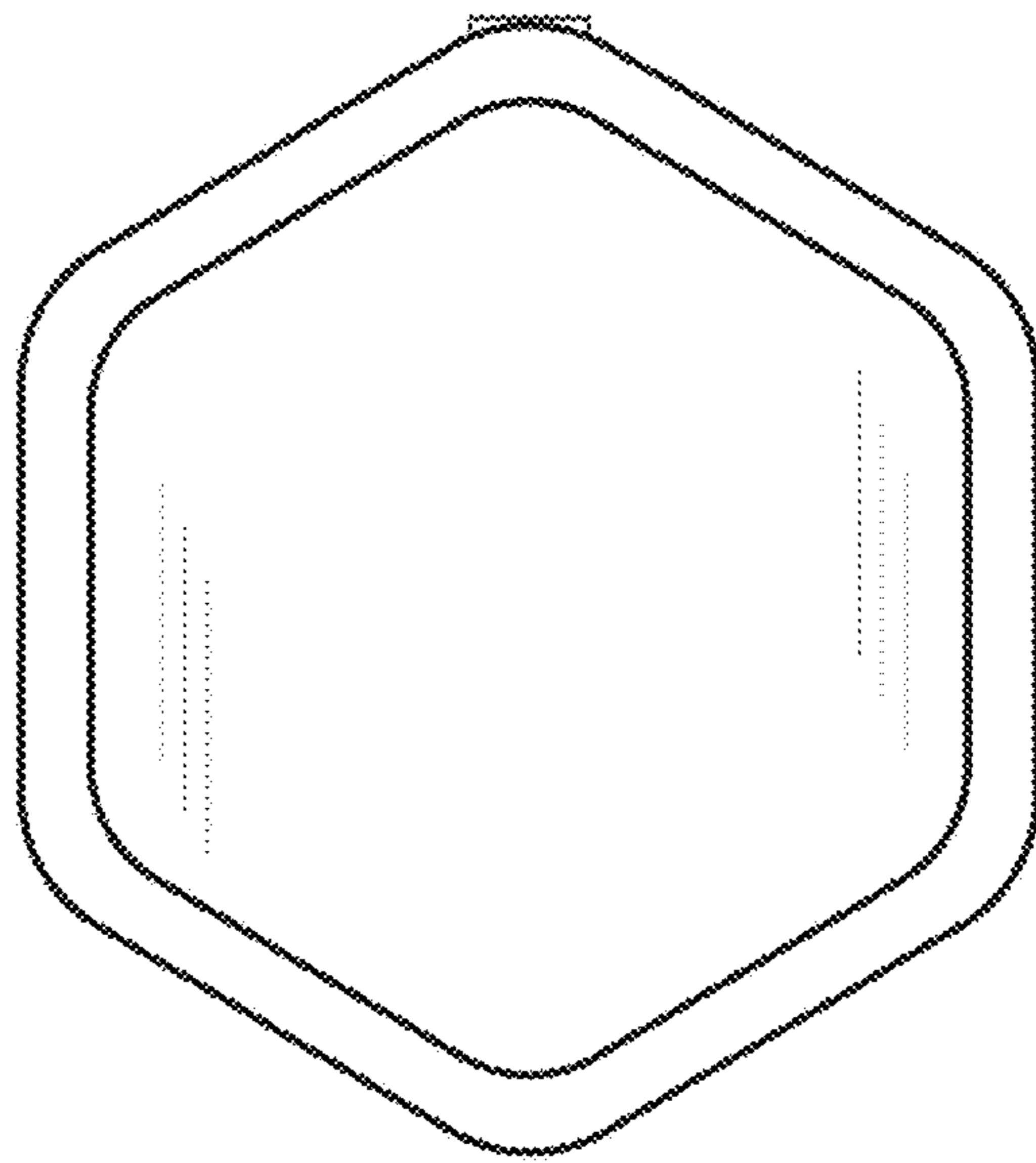


Fig. 6

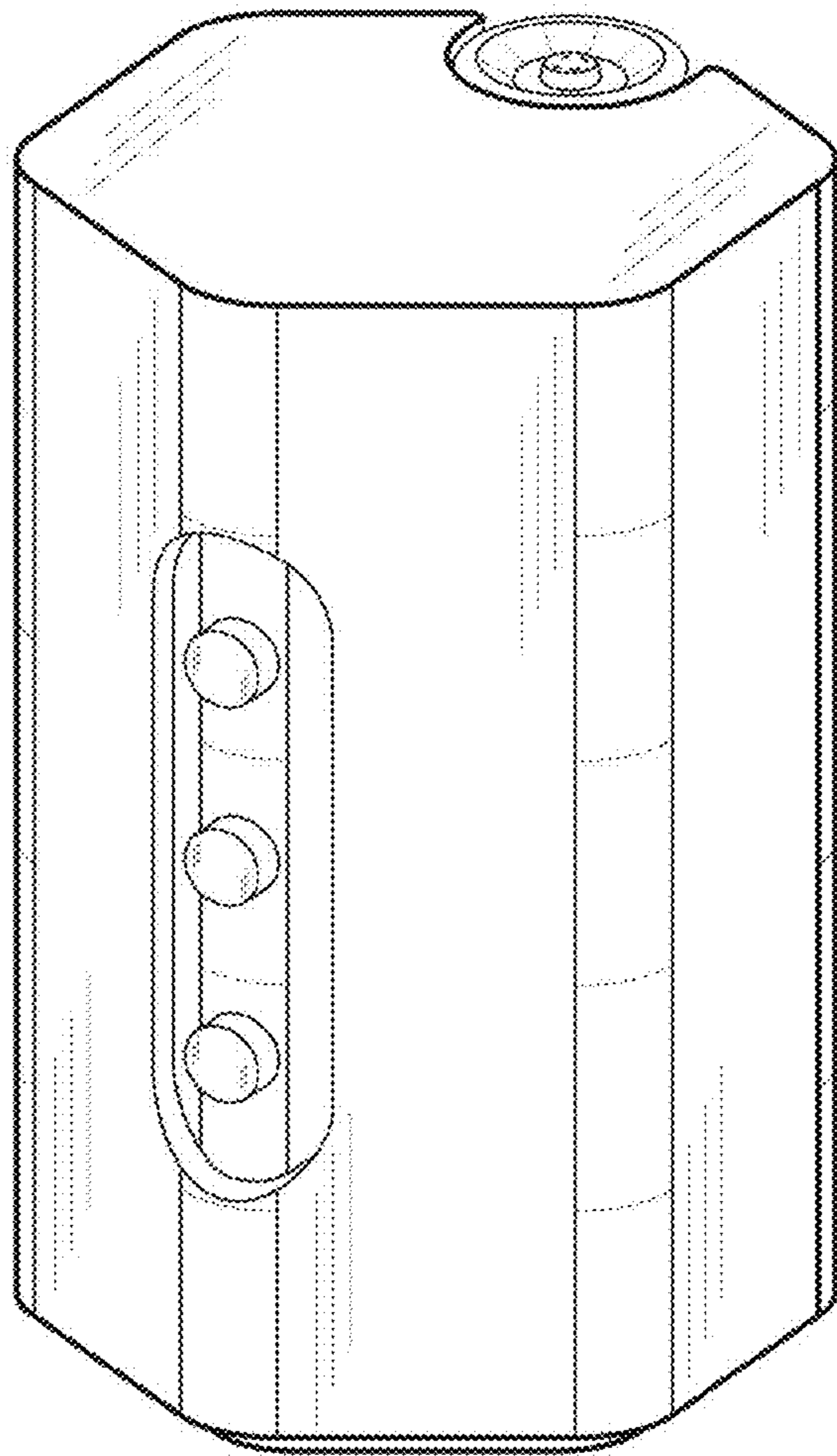


Fig. 7

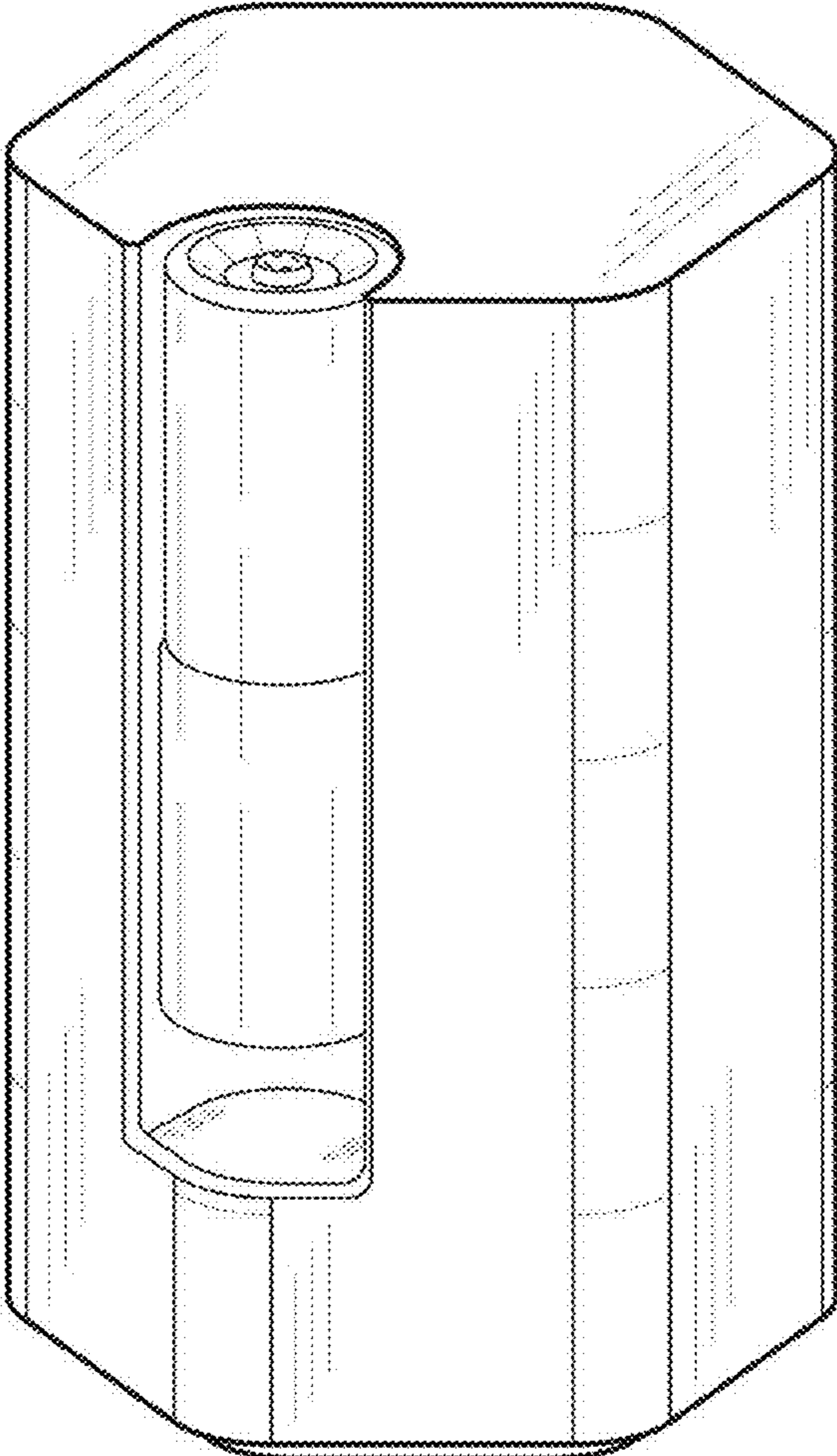


Fig. 8