



US00D864372S

(12) **United States Design Patent**  
**Lee**

(10) **Patent No.:** **US D864,372 S**  
(45) **Date of Patent:** **\*\* Oct. 22, 2019**

(54) **AROMA DIFFUSER**

(71) Applicant: **Bloomy Lotus Ltd**, Hong Kong (HK)

(72) Inventor: **Leander Lee**, Hong Kong (HK)

(73) Assignee: **Bloomy Lotus Ltd**, Hong Kong (HK)

(\*\*) Term: **15 Years**

(21) Appl. No.: **29/654,246**

(22) Filed: **Jun. 21, 2018**

(30) **Foreign Application Priority Data**

Jan. 9, 2018 (HK) ..... 1800038.0M001

(51) **LOC (12) Cl.** ..... **23-04**

(52) **U.S. Cl.**  
USPC ..... **D23/366**

(58) **Field of Classification Search**  
USPC .... D23/208, 355-369; D14/209.1, 212-213;  
D11/144  
CPC ..... A61L 9/02; A61L 9/03; A61L 9/12; A61L  
9/035; A61L 9/125  
See application file for complete search history.

(56) **References Cited**

**U.S. PATENT DOCUMENTS**

4,860,953 A \* 8/1989 Hsien ..... A61L 9/12  
239/47  
D716,427 S \* 10/2014 Lim ..... D23/364

D757,921 S \* 5/2016 Li ..... D23/366  
D800,287 S \* 10/2017 Sevy ..... D23/366  
D810,260 S \* 2/2018 Sevy ..... D23/366  
D810,265 S \* 2/2018 Chen ..... D23/366  
D834,694 S \* 11/2018 Walter ..... D23/366  
D838,825 S \* 1/2019 Sullivan ..... D23/366  
D849,218 S \* 5/2019 Liang ..... A61L 9/12  
D23/356

\* cited by examiner

*Primary Examiner* — Vy N Koenig  
*Assistant Examiner* — Calvin E Vansant

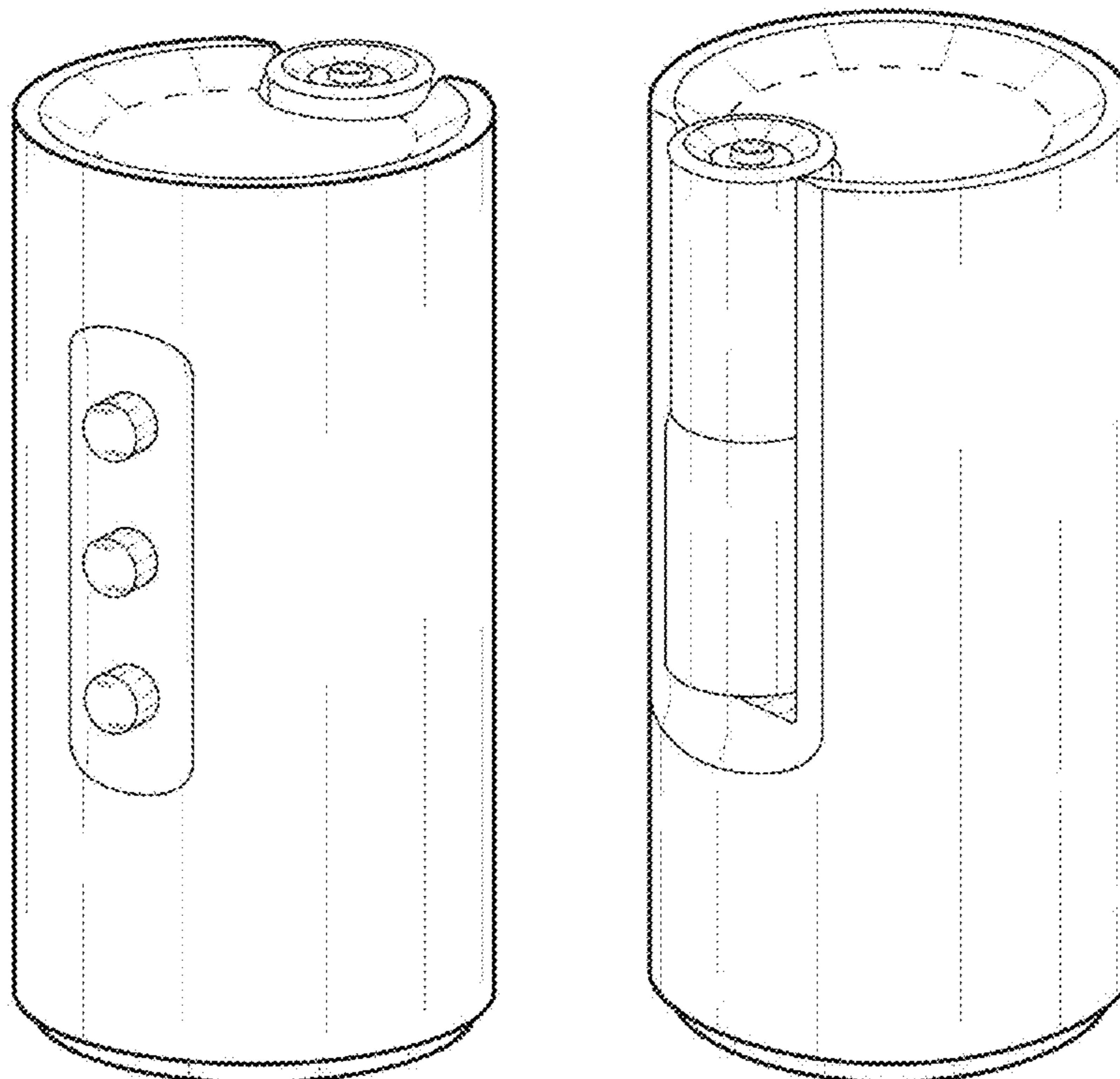
(57) **CLAIM**

The ornamental design for an aroma diffuser, as shown and described.

**DESCRIPTION**

FIG. 1 is a front elevational view of an aroma diffuser showing my new design;  
FIG. 2 is a rear elevational view thereof;  
FIG. 3 is a left side view thereof;  
FIG. 4 is a right side view thereof;  
FIG. 5 is a top plan view thereof;  
FIG. 6 is a bottom plan view thereof;  
FIG. 7 is a top, front and right side perspective view thereof;  
and,  
FIG. 8 is a top, rear and left side perspective view thereof.  
The broken lines in the drawings illustrate portions of the aroma diffuser which form no part of the claimed design.

**1 Claim, 8 Drawing Sheets**



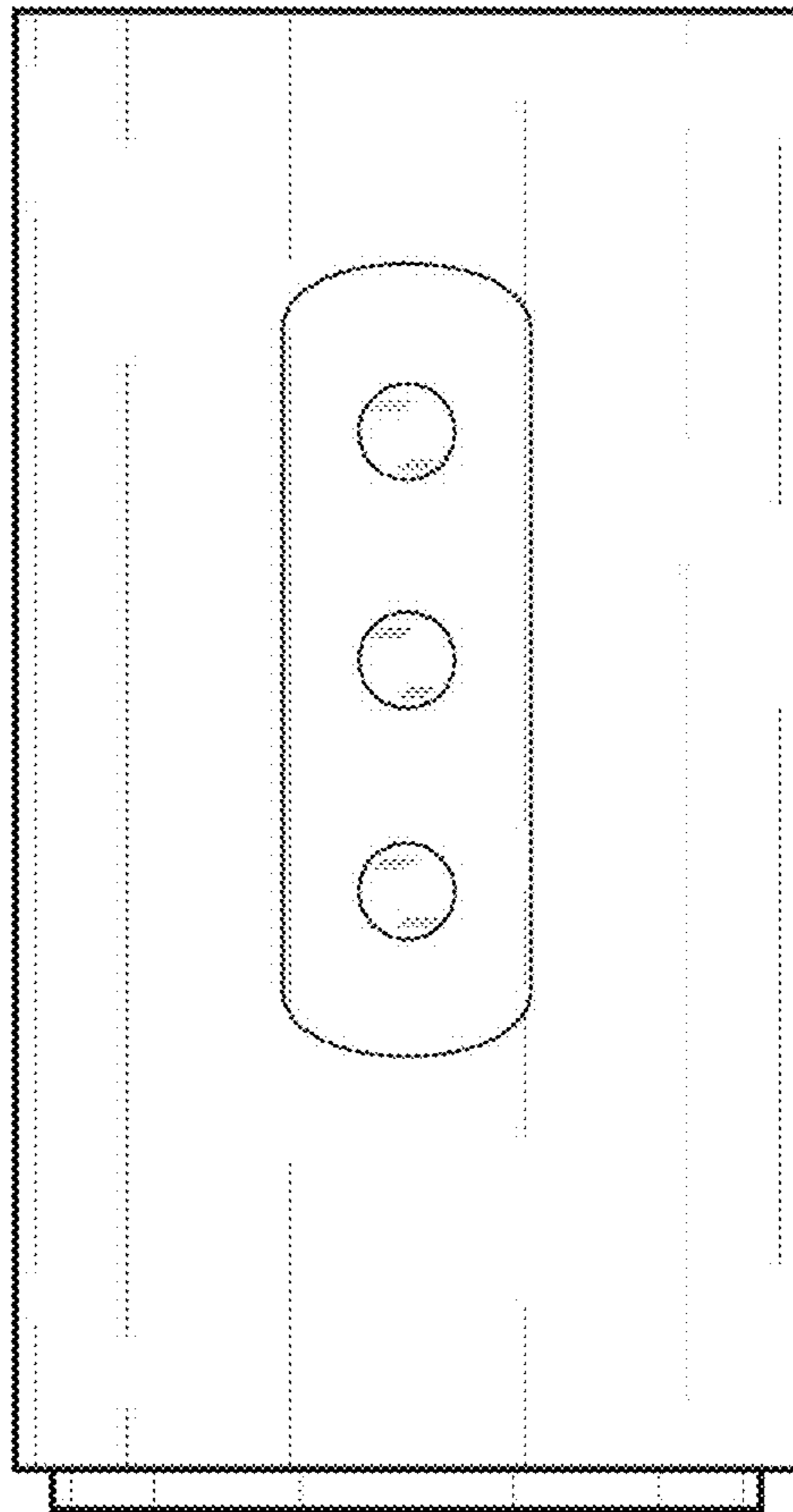


Fig. 1

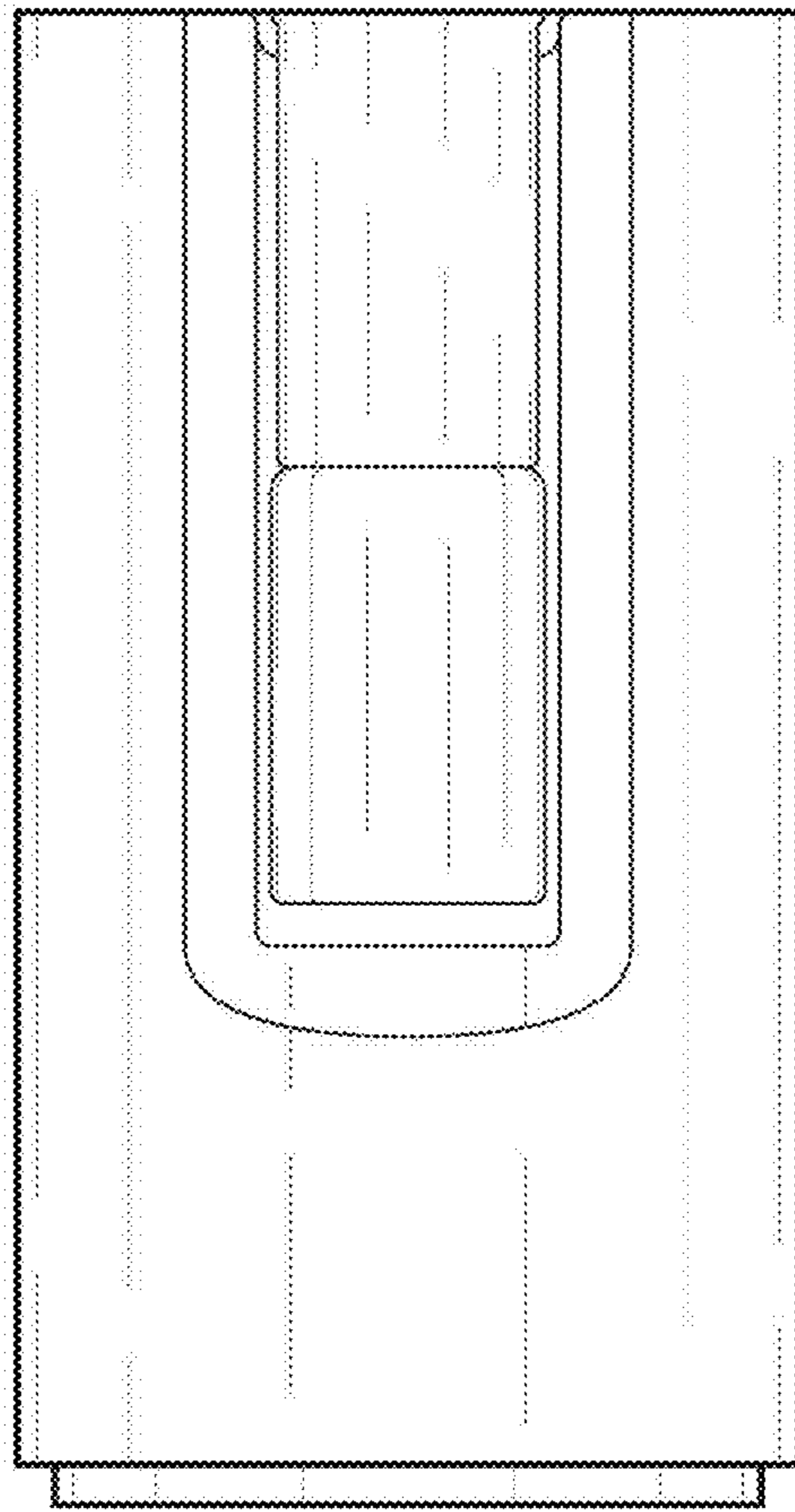


Fig. 2

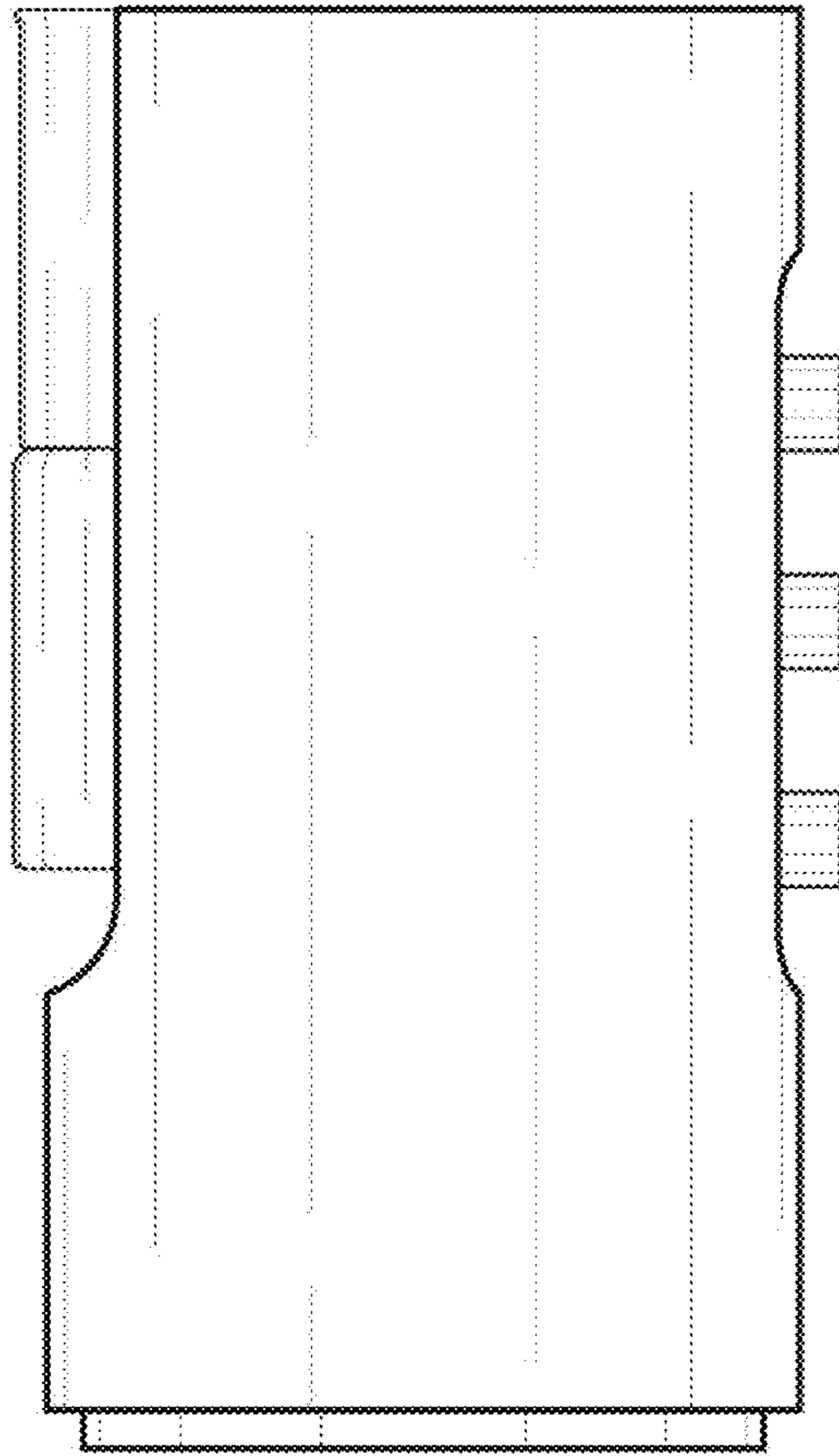


Fig. 3

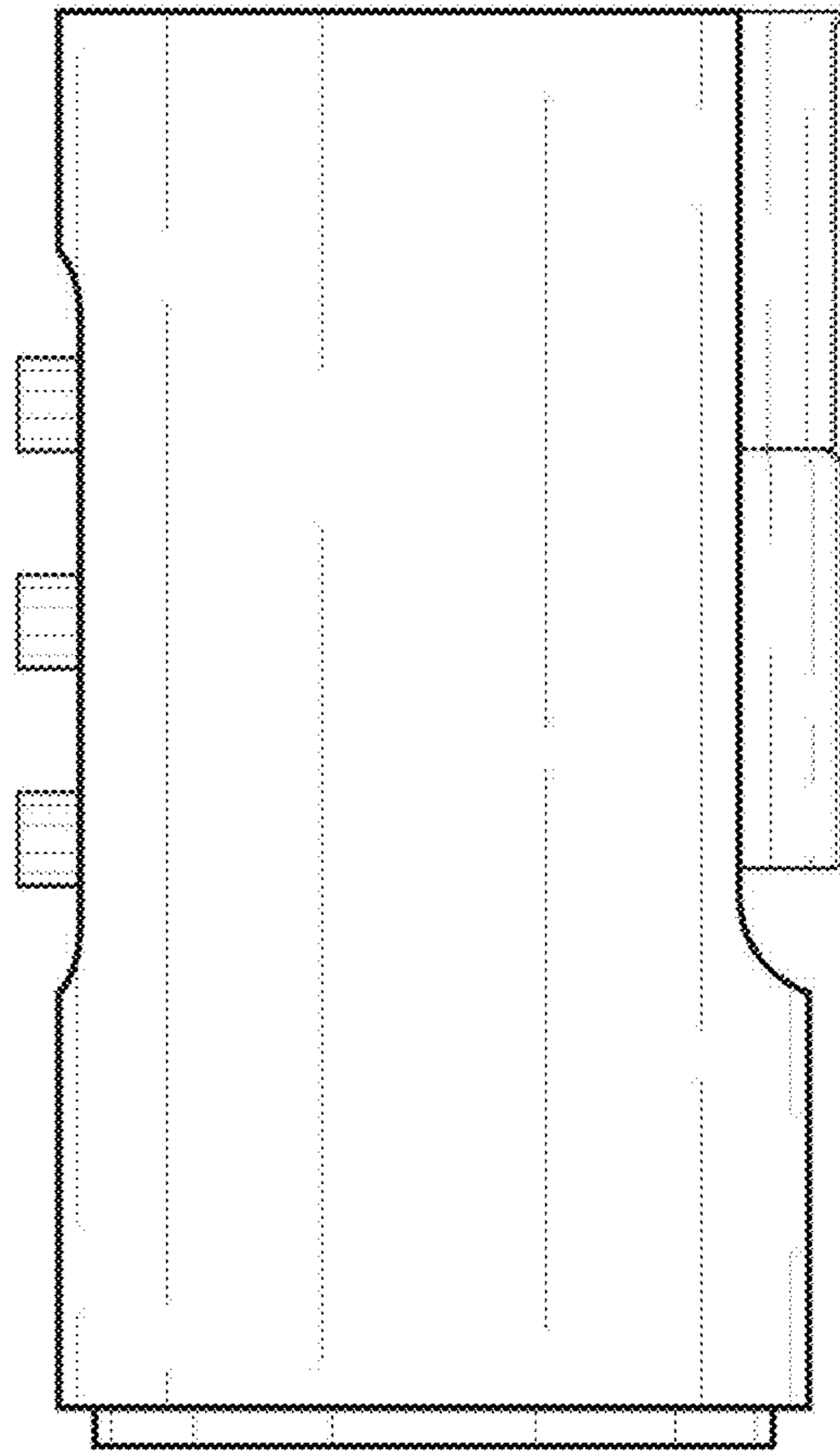


Fig. 4

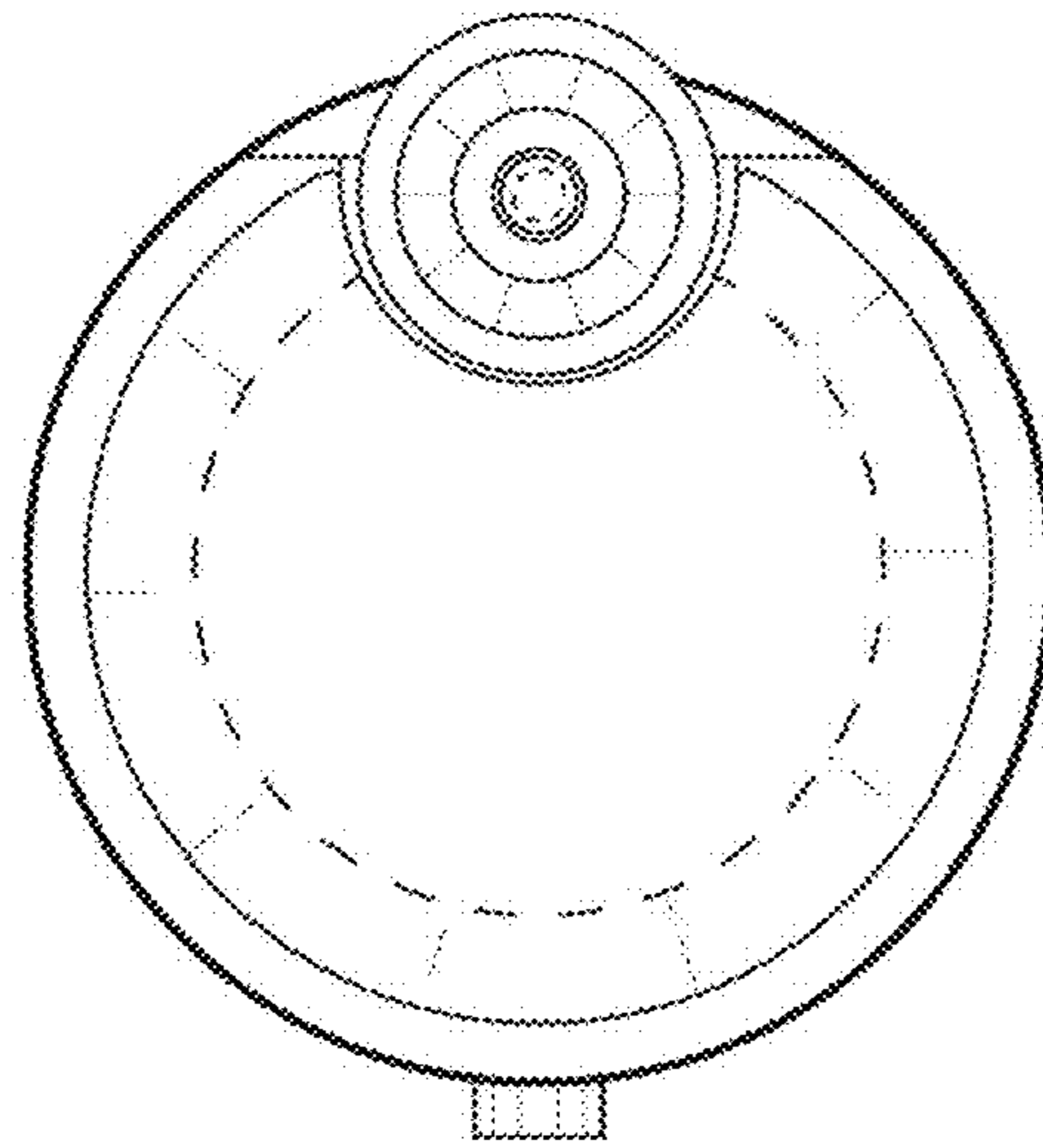


Fig. 5

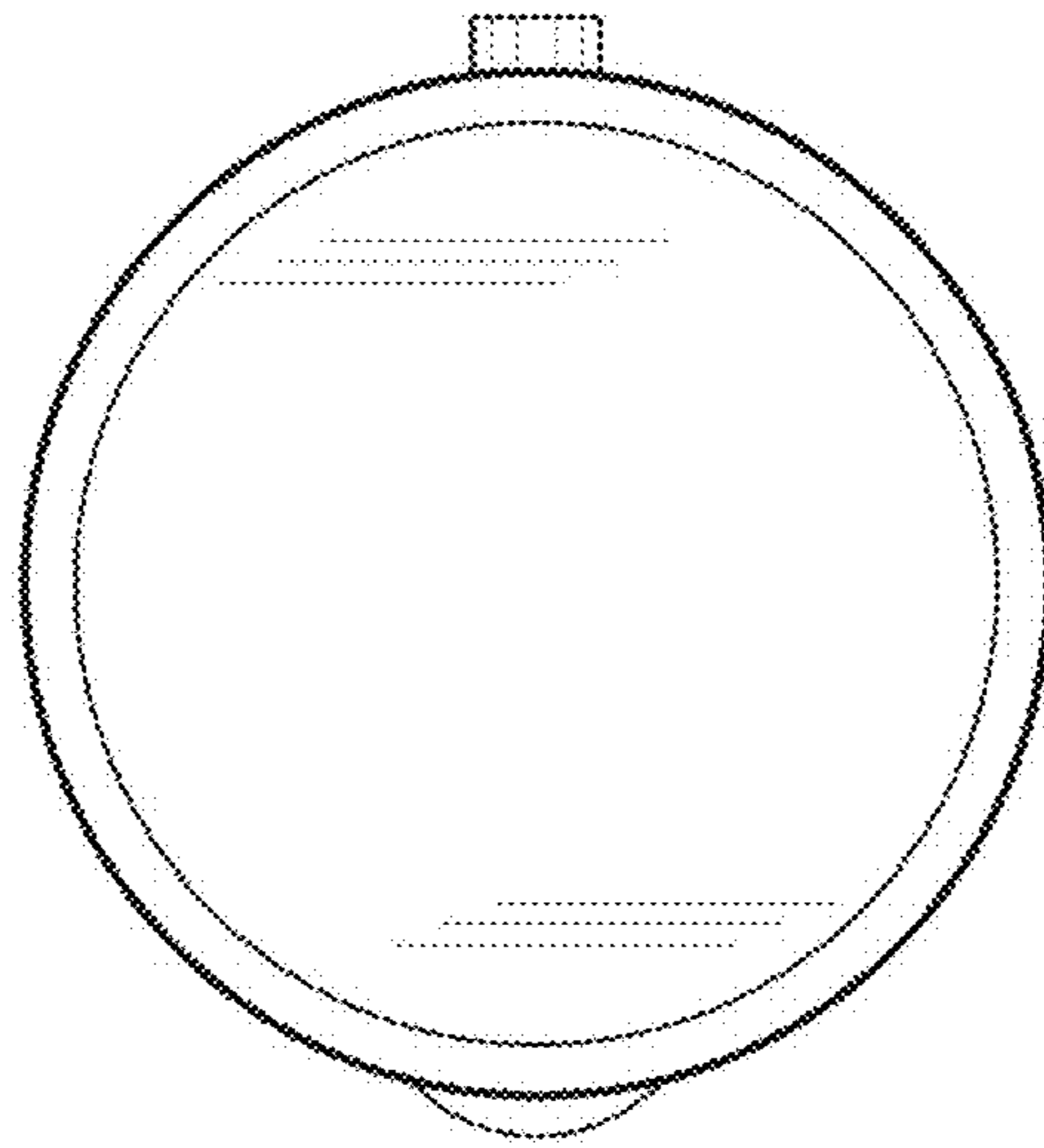


Fig. 6

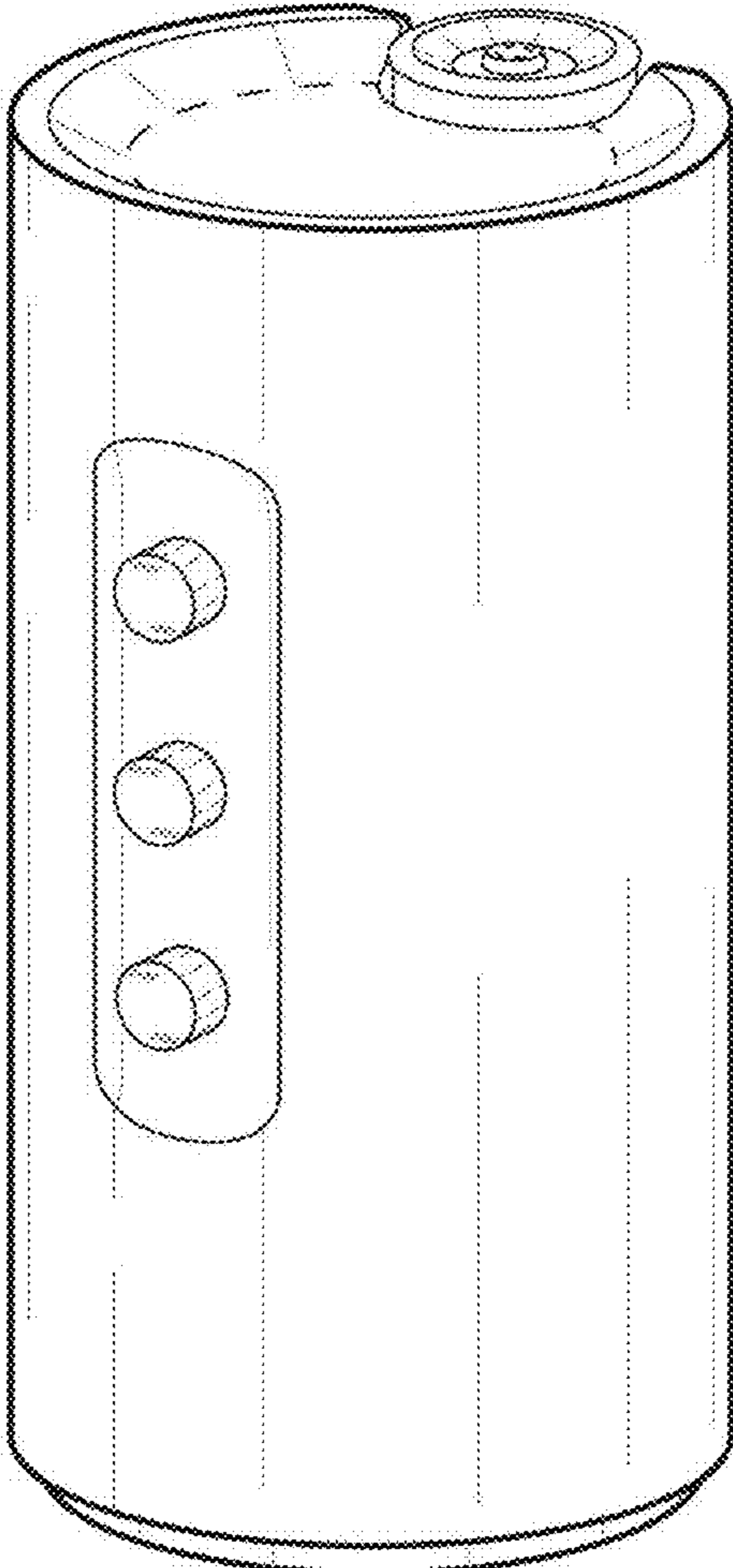


Fig. 7



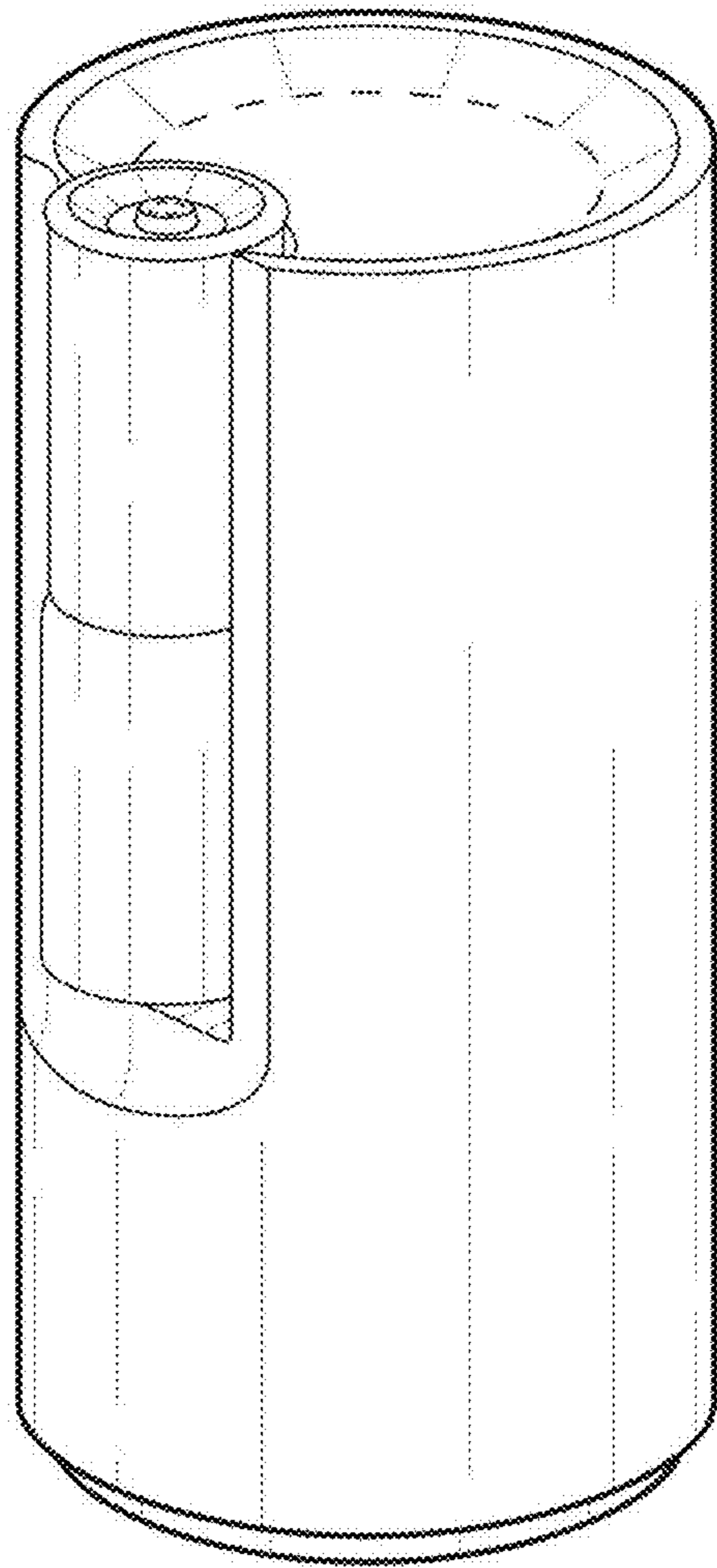


Fig. 8