



US00D864371S

(12) **United States Design Patent**
Chen

(10) **Patent No.:** **US D864,371 S**

(45) **Date of Patent:** **** Oct. 22, 2019**

(54) **AROMA DIFFUSER**

(71) Applicant: **Zhenzhong Chen**, Guangdong (CN)

(72) Inventor: **Zhenzhong Chen**, Guangdong (CN)

(**) Term: **15 Years**

(21) Appl. No.: **29/616,371**

(22) Filed: **Sep. 6, 2017**

(51) **LOC (12) Cl.** **28-99**

(52) **U.S. Cl.**
USPC **D23/366**

(58) **Field of Classification Search**
USPC D23/314, 325, 333-336, 355-367,
D23/386-388

CPC . A61L 9/03; A61L 9/012; A61L 9/015; A61L
9/037

See application file for complete search history.

(56) **References Cited**

U.S. PATENT DOCUMENTS

- D598,527 S * 8/2009 Fitsch D23/356
- D675,304 S * 1/2013 Valentino D23/366
- D696,763 S * 12/2013 Li D23/366

- D720,063 S * 12/2014 Li D23/366
- D732,653 S * 6/2015 Hsiao D23/366
- D733,859 S * 7/2015 Hsiao D23/366
- D743,377 S * 11/2015 Mackiewicz D14/216
- D772,391 S * 11/2016 Dietrich D23/366

* cited by examiner

Primary Examiner — Brandon M Rosati

Assistant Examiner — John A Voytek

(57) **CLAIM**

The ornamental design for an aroma diffuser, as shown and described.

DESCRIPTION

FIG. 1 is a perspective view of an aroma diffuser showing my new design;

FIG. 2 is a front elevational view thereof;

FIG. 3 is a rear elevational view thereof;

FIG. 4 is a left side elevational view thereof;

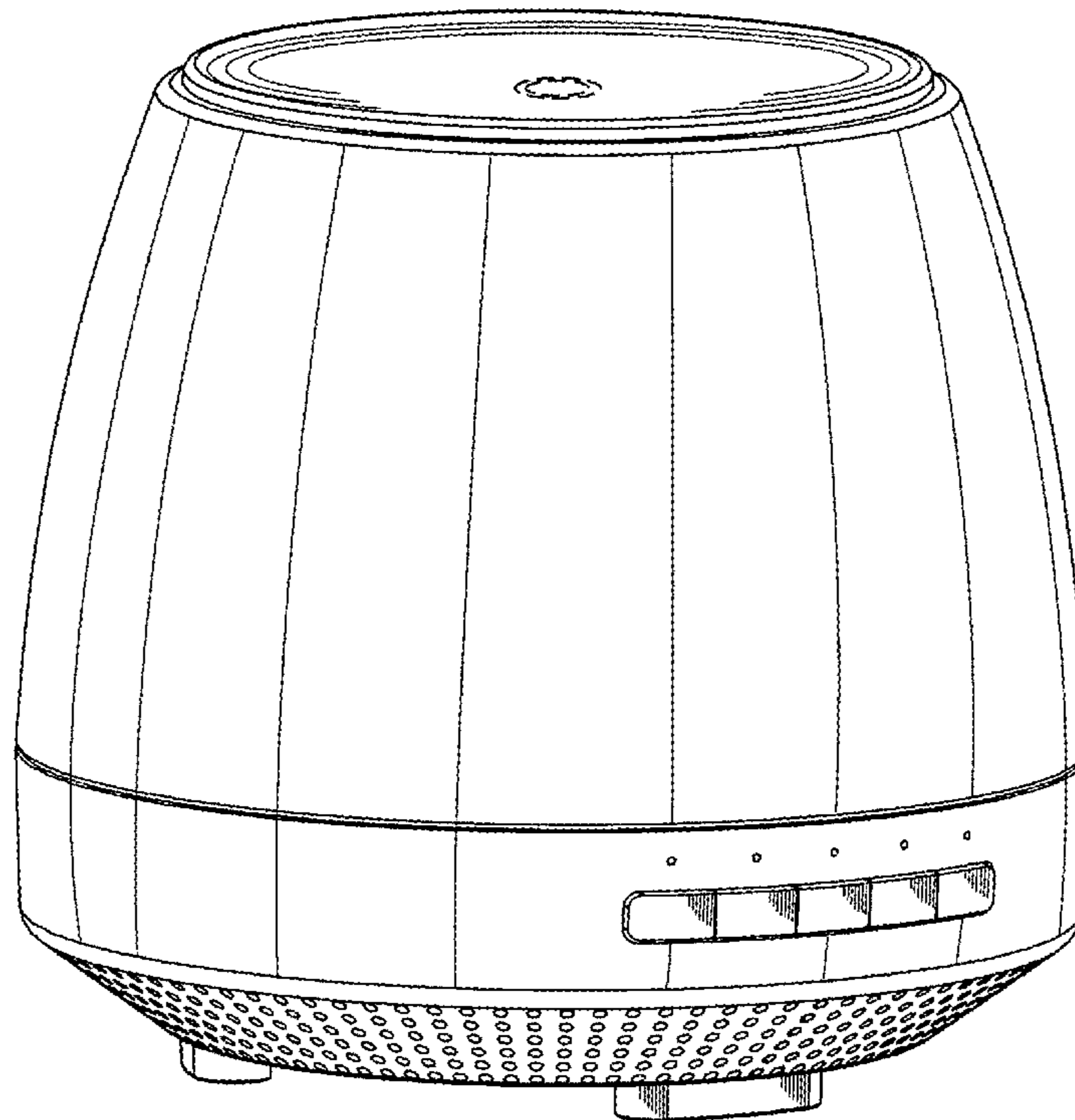
FIG. 5 is a right side elevational view thereof;

FIG. 6 is a top plan view thereof; and,

FIG. 7 is a bottom plan view thereof.

The broken lines shown depict environment that forms no part of the claimed design.

1 Claim, 7 Drawing Sheets



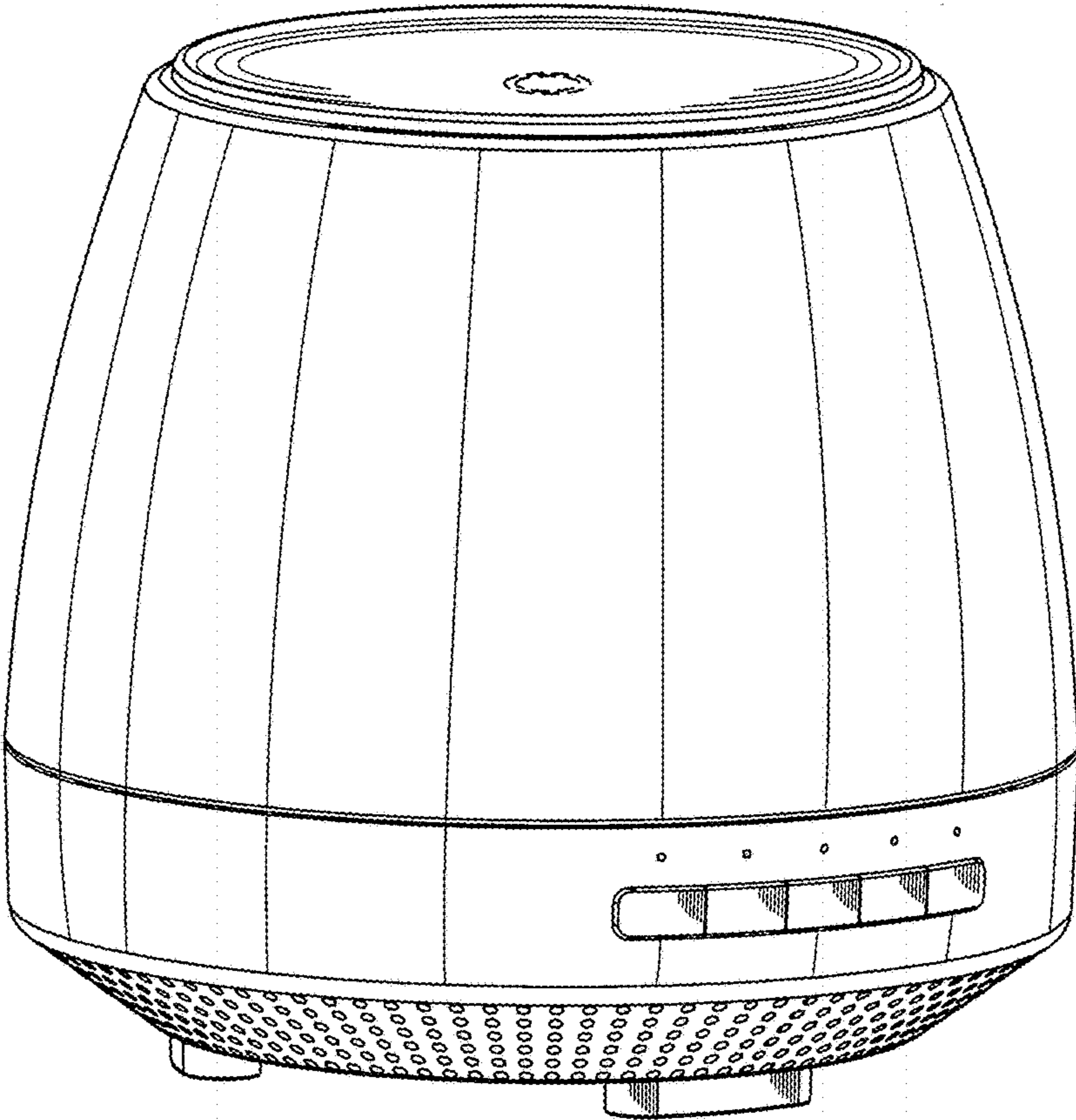


FIG. 1

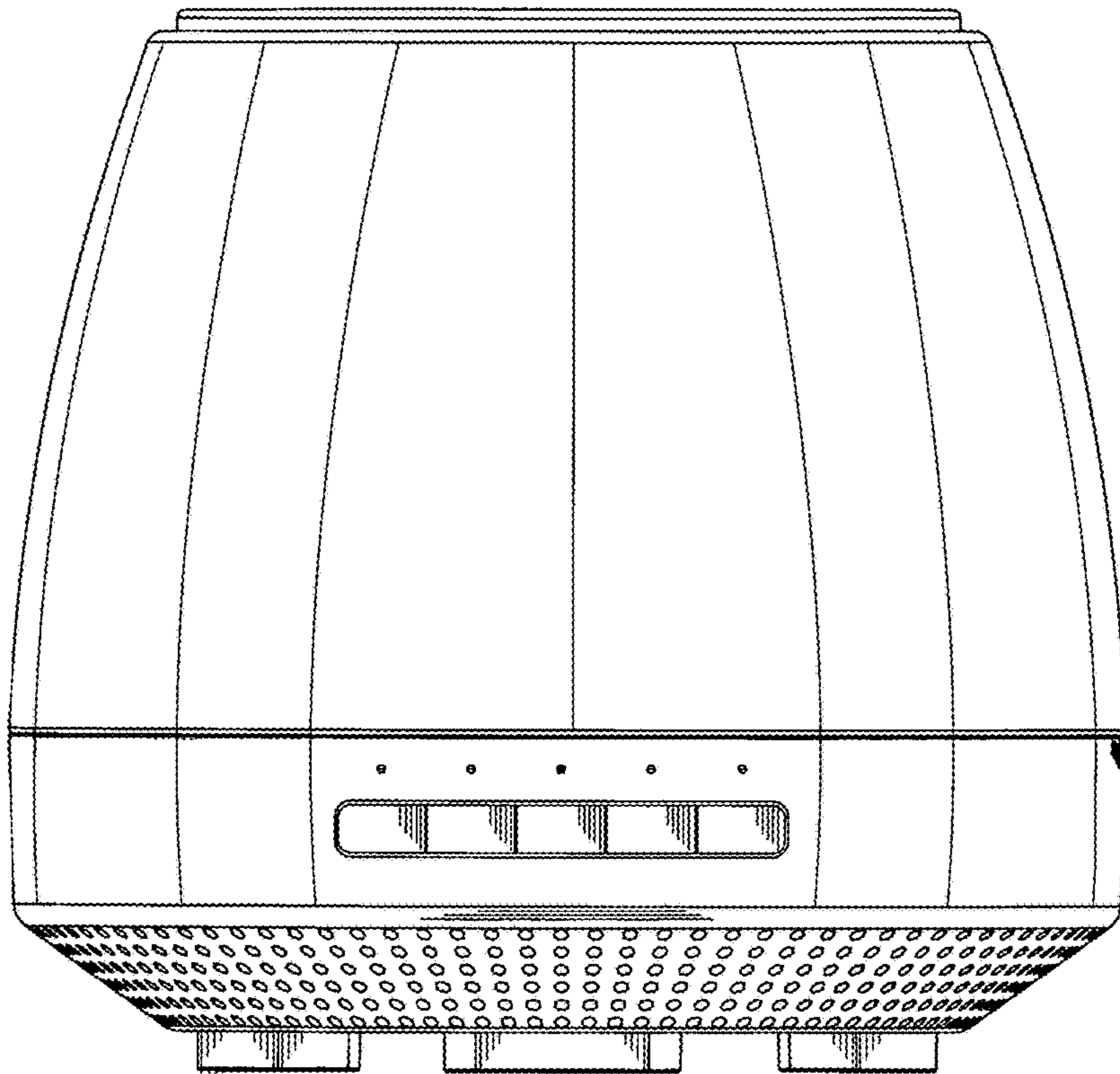


FIG. 2

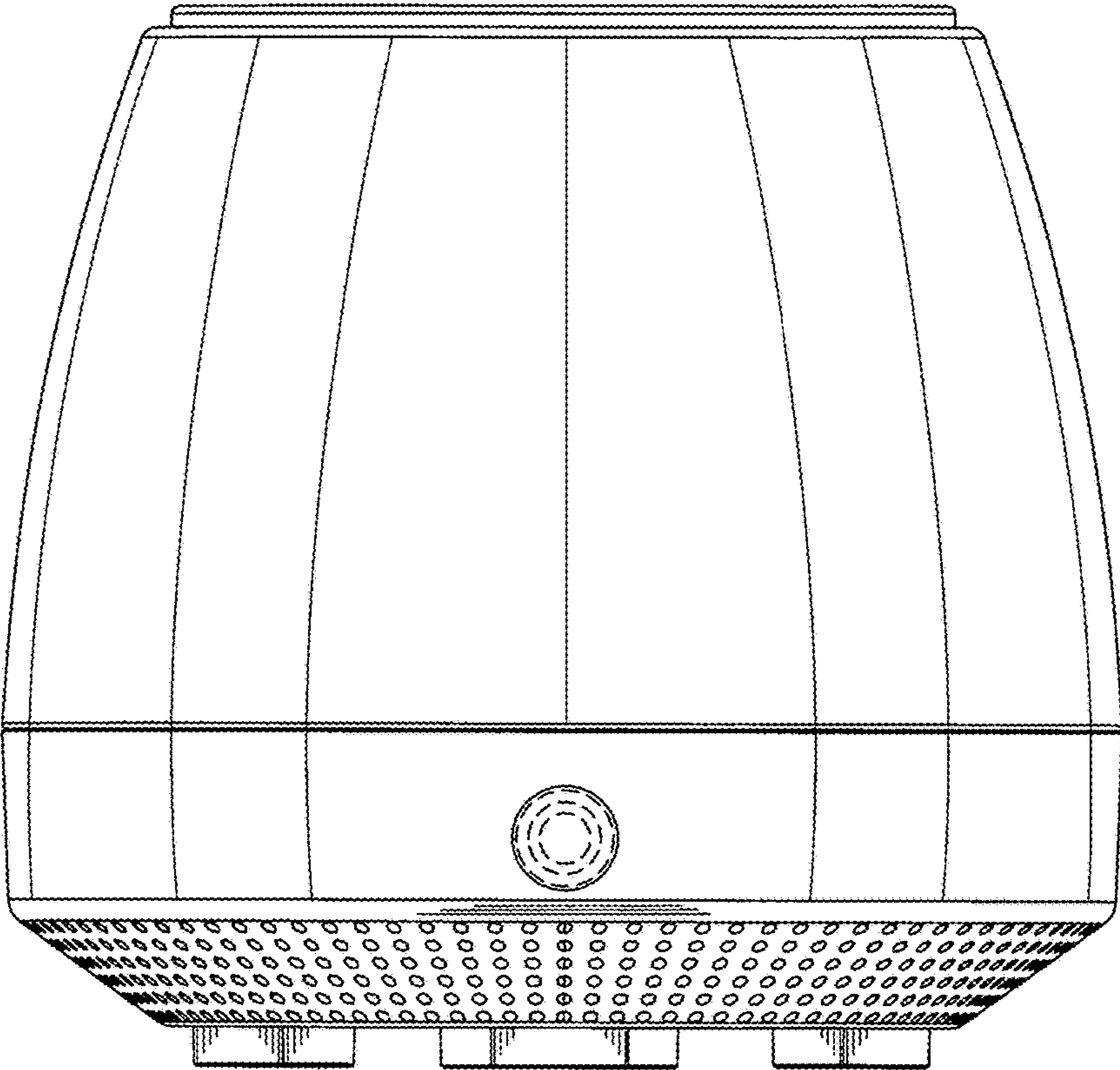


FIG. 3

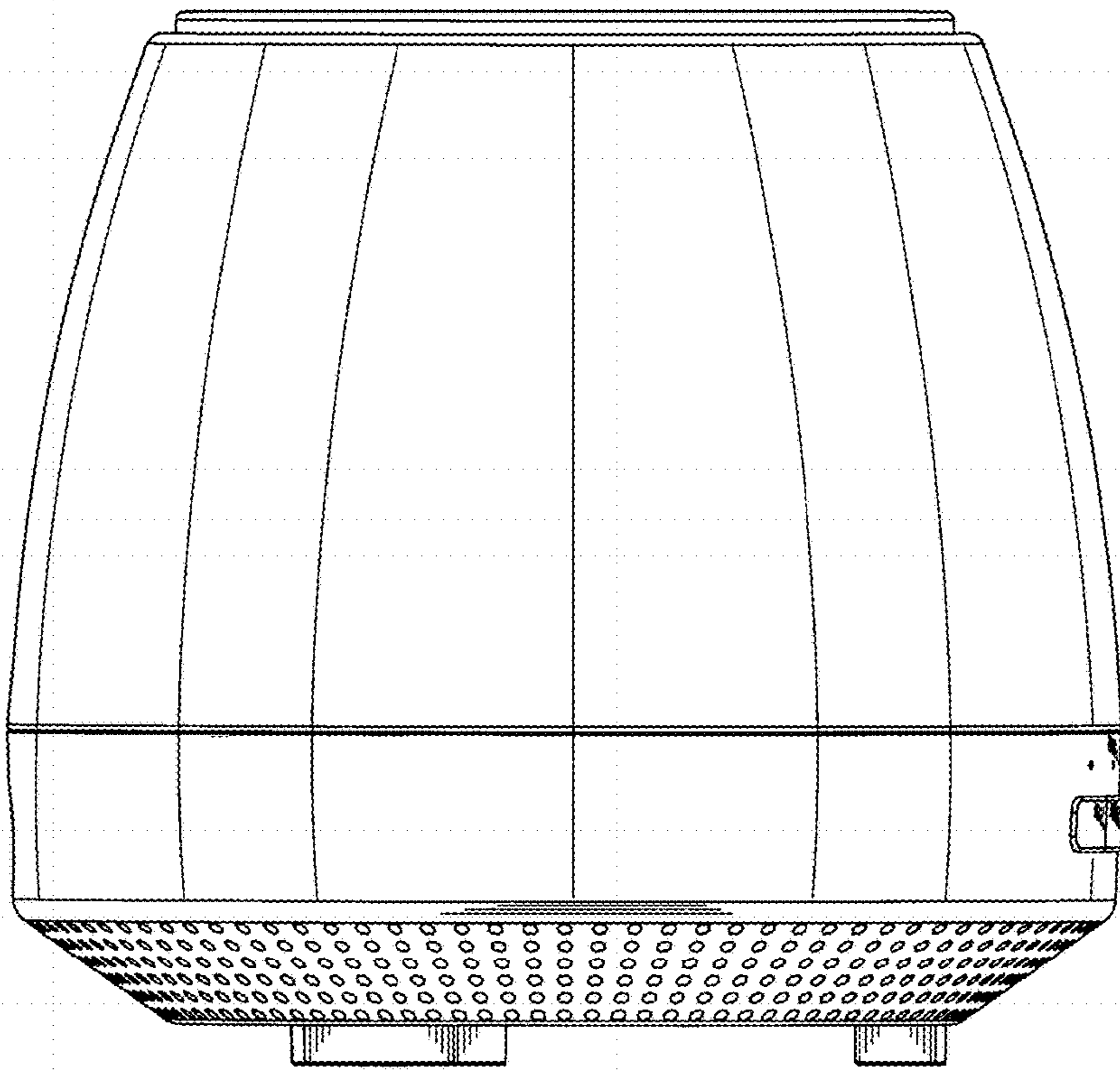


FIG. 4

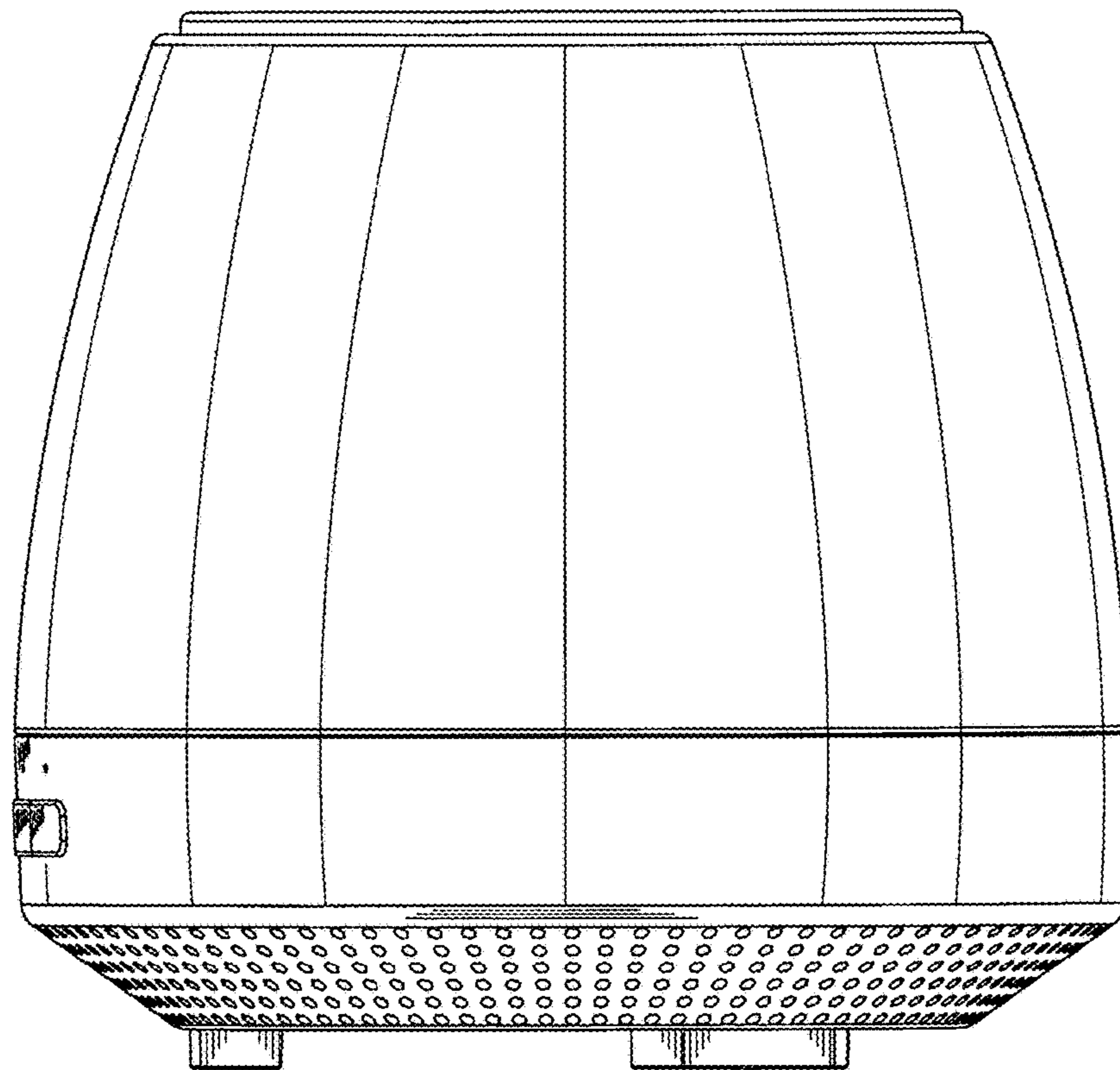


FIG. 5

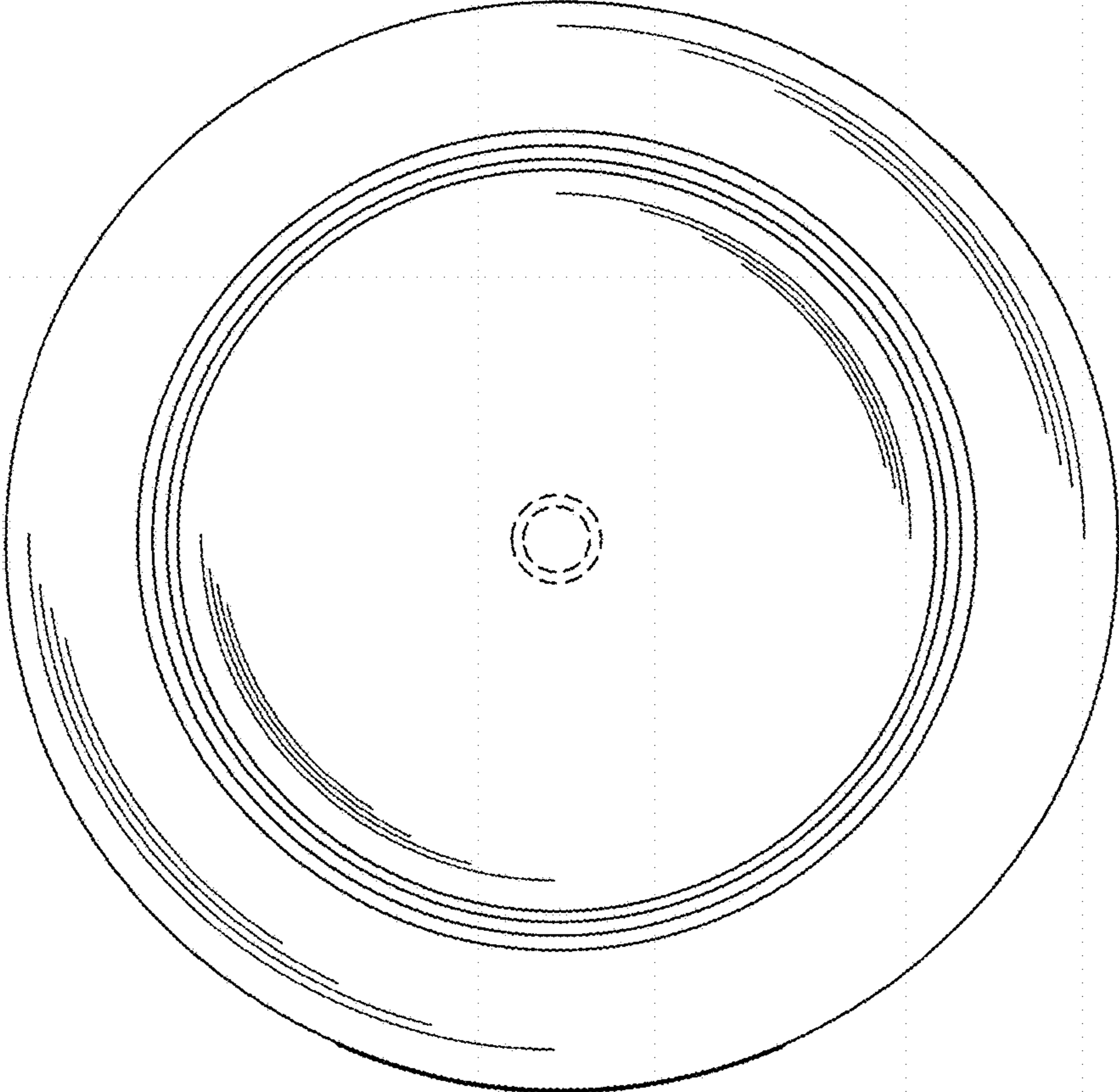


FIG. 6

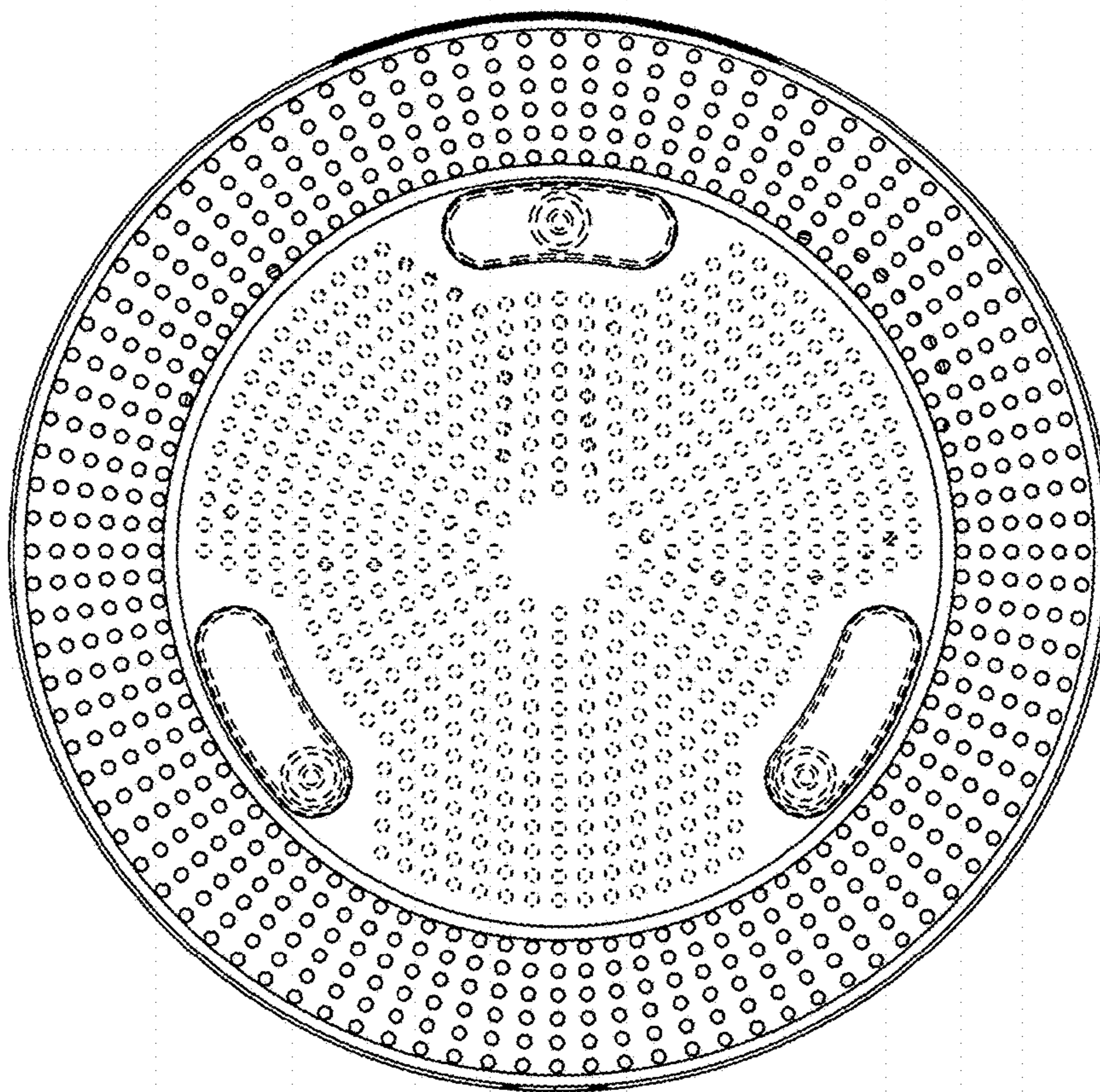


FIG. 7