

US00D864365S

(12) **United States Design Patent** (10) **Patent No.:** **US D864,365 S**  
**Downing et al.** (45) **Date of Patent:** **\*\* Oct. 22, 2019**

(54) **PORTABLE HEATER**

FOREIGN PATENT DOCUMENTS

(71) Applicant: **GHP Group, Inc.**, Niles, IL (US)

CA 175432 \* 7/2018

(72) Inventors: **Verlon Daniel Downing**, Niles, IL (US); **Owen Slater**, Niles, IL (US)

OTHER PUBLICATIONS

(73) Assignee: **GHP Group, Inc.**, Niles, IL (US)

GHP group website, 10K BTU Dyna-Glo HeatAround360, Earlist publication date Oct. 6, 2017 from Wayback Machine, [site visited Jul. 31, 2018], Available on the Internet URL [https://web.archive.org/web/20171006215919/http://www.ghpgroupinc.com/mm5/merchant.mvc?Screen=PROD&Product\\_Code=HA1360BK-01](https://web.archive.org/web/20171006215919/http://www.ghpgroupinc.com/mm5/merchant.mvc?Screen=PROD&Product_Code=HA1360BK-01).  
YouTube—GHP Group INC, Publication date Sep. 13, 2017, [site visited Aug. 4, 2018], Available on the Internet URL <https://www.youtube.com/watch?v=nkZtPGr1CrY>.

(\*\*) Term: **15 Years**

(21) Appl. No.: **29/588,125**

(22) Filed: **Dec. 19, 2016**

(51) **LOC (12) Cl.** ..... **23-03**

\* cited by examiner

(52) **U.S. Cl.**  
USPC ..... **D23/336**

*Primary Examiner* — Karen S Acker

*Assistant Examiner* — Steven B Reinholdt, Jr.

(58) **Field of Classification Search**  
USPC ..... D23/317, 314, 323, 328, 332, 333, 334, D23/335, 336, 337, 341, 342, 351, 353, D23/354, 355, 357, 361, 364, 378, 370, D23/381, 385, 386, 417  
CPC ... F24H 3/002; F24H 3/00; F24H 3/02; F24H 3/0417; F24H 3/0411; F24H 3/087; F24H 3/08

(74) *Attorney, Agent, or Firm* — Seyfarth Shaw LLP

See application file for complete search history.

(57) **CLAIM**

The ornamental design for a portable heater, as shown and described.

**DESCRIPTION**

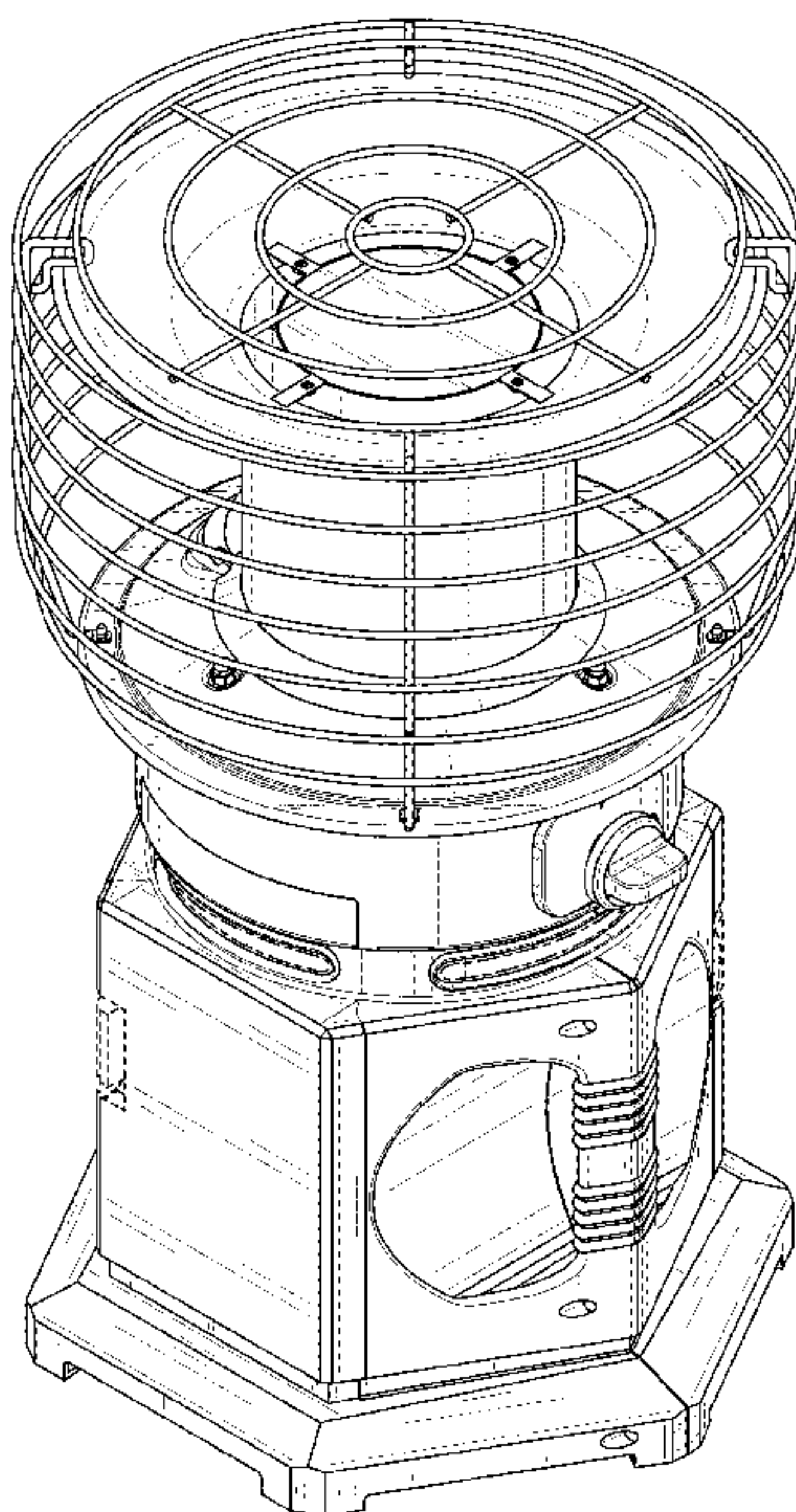
(56) **References Cited**

U.S. PATENT DOCUMENTS

D296,358 S *	6/1988	Sawa	.....	D23/338
D299,525 S *	1/1989	Nasui	.....	D23/336
D300,455 S *	3/1989	Sakai	.....	D23/336
D303,832 S *	10/1989	Cone	.....	D23/336
D310,408 S *	9/1990	Mito	.....	D23/348
D410,536 S *	6/1999	Willey	.....	D23/332
D471,969 S *	3/2003	Krauss	.....	D23/335
D570,977 S *	6/2008	McColgin	.....	D23/336

FIG. 1 is a top perspective view of a portable heater;  
FIG. 2 is a front view thereof;  
FIG. 3 is a rear view thereof;  
FIG. 4 is a right-side view thereof;  
FIG. 5 is a left-side view thereof;  
FIG. 6 is a top view thereof; and,  
FIG. 7 is a bottom view thereof.  
The broken lines depict portions of the portable heater that form no part of the claim. The dot dash dot broken lines depict the boundaries of the claim and form no part thereof.

**1 Claim, 7 Drawing Sheets**



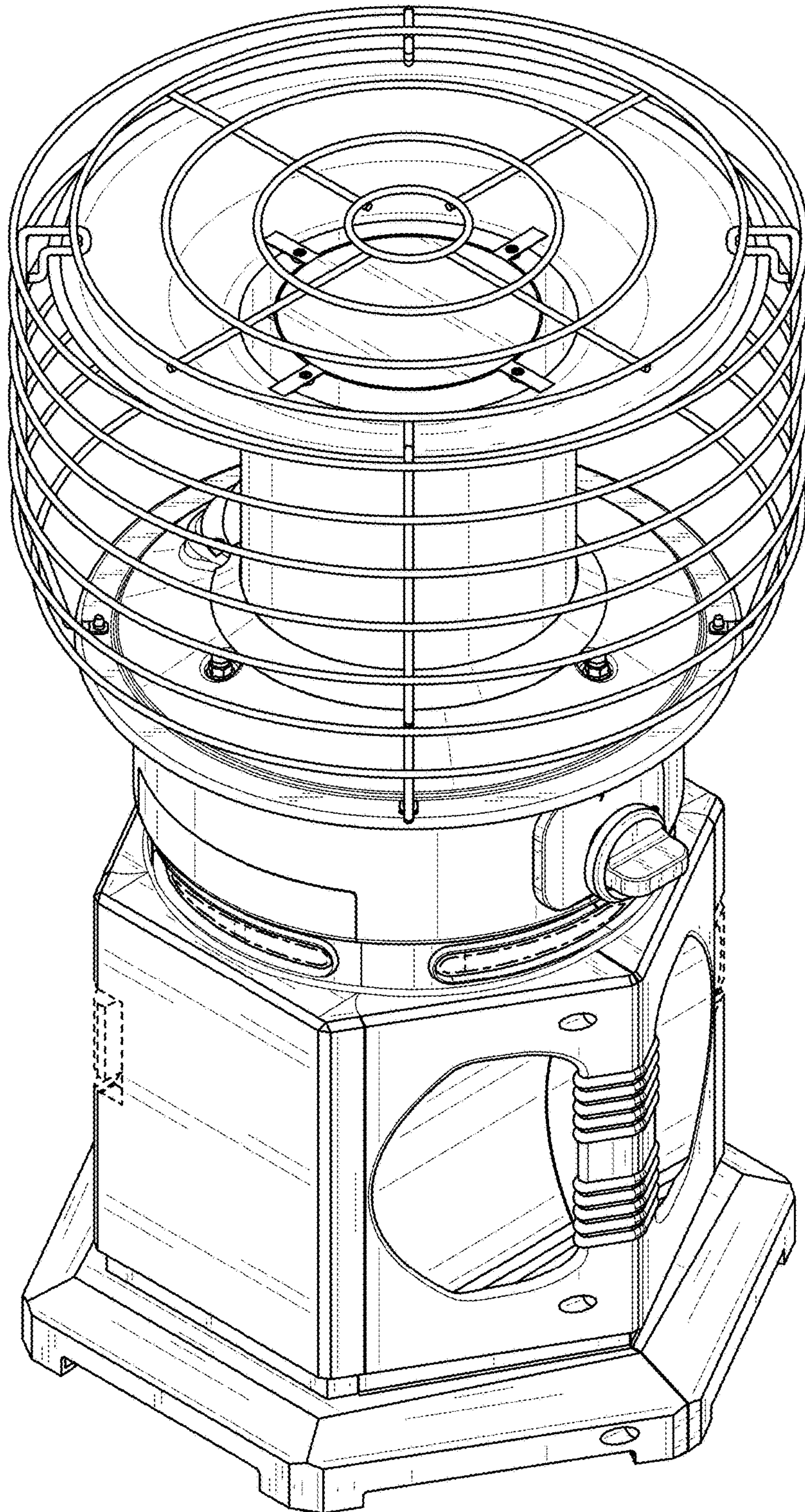


FIG. 1



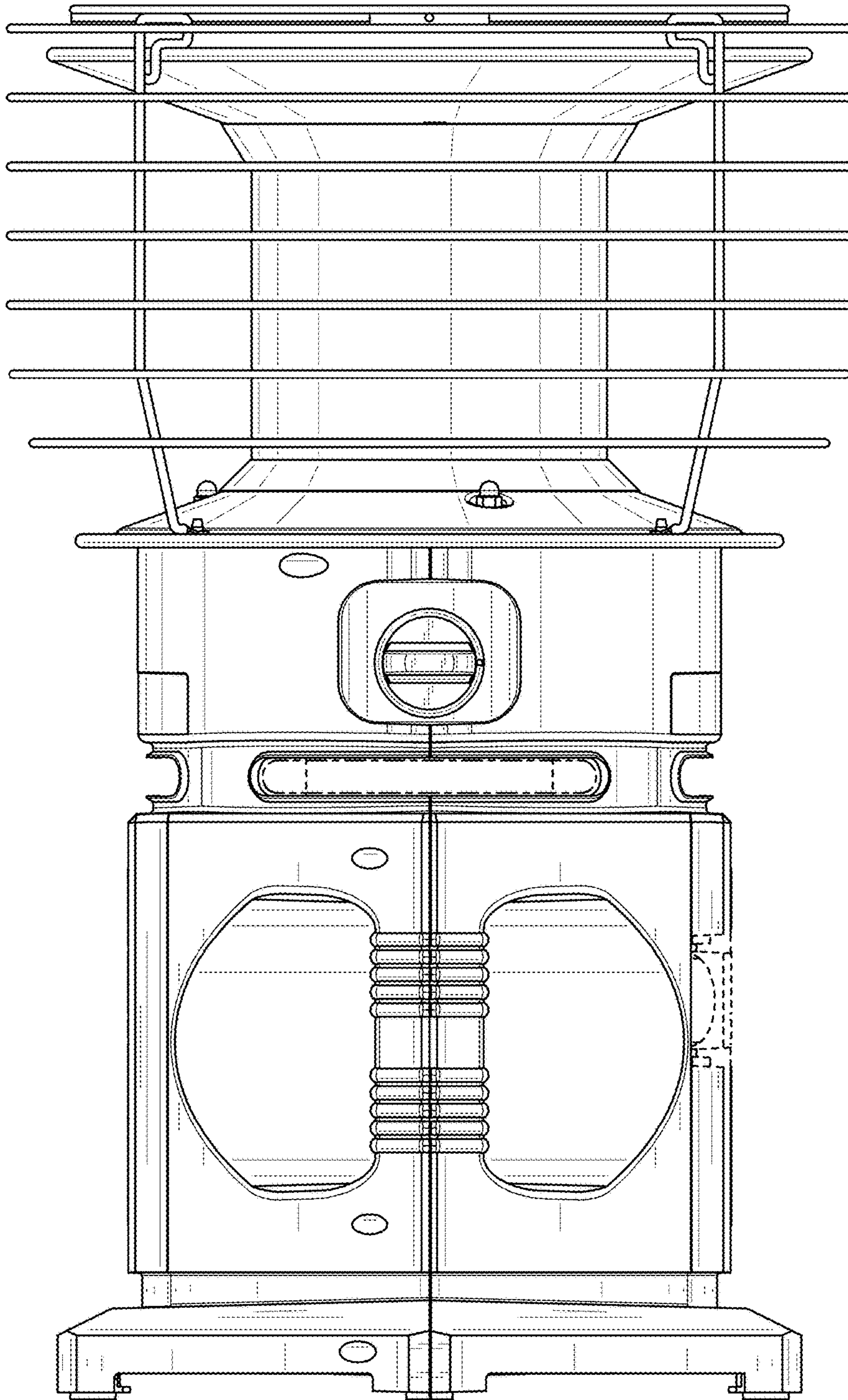


FIG. 2

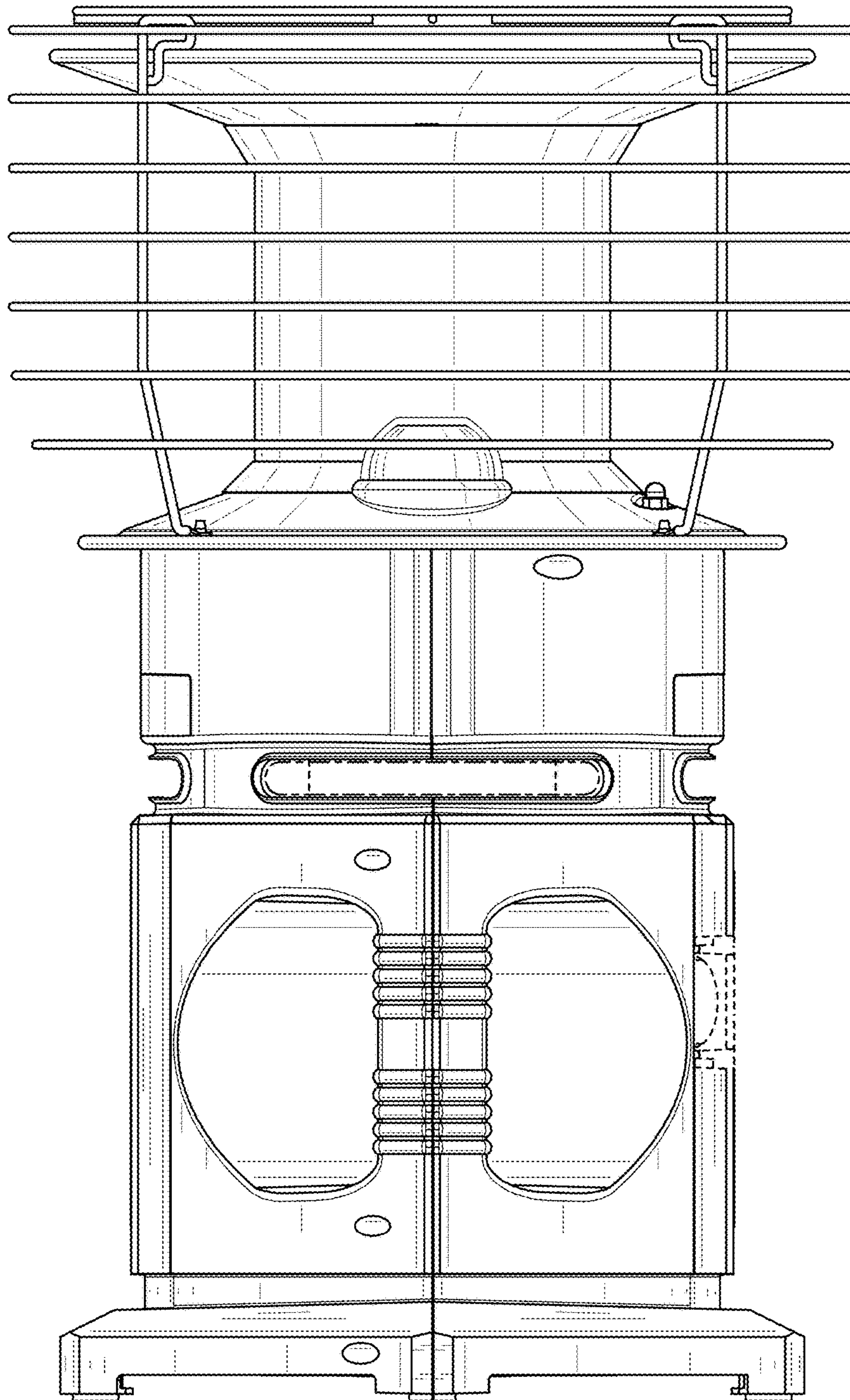


FIG. 3

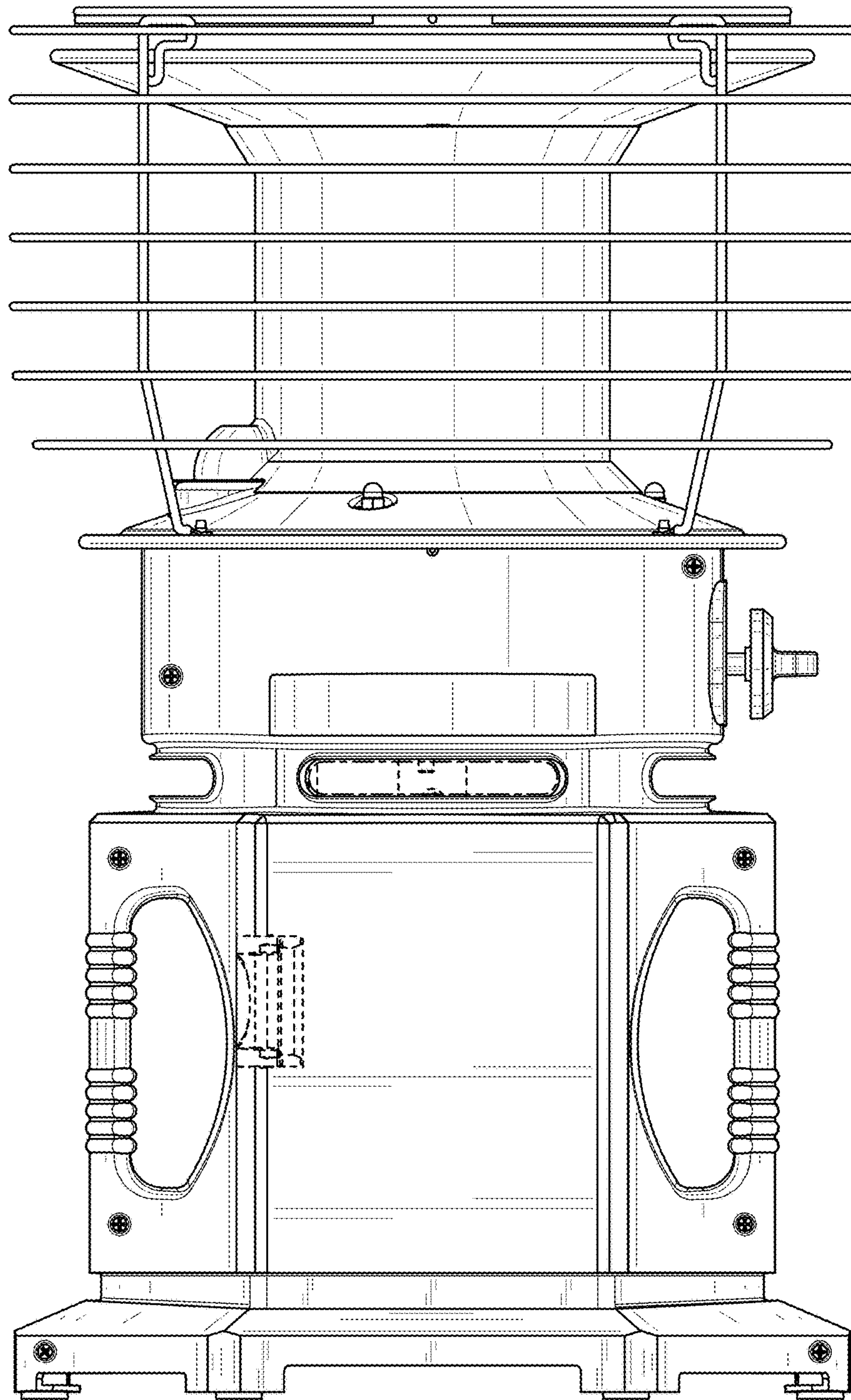


FIG. 4



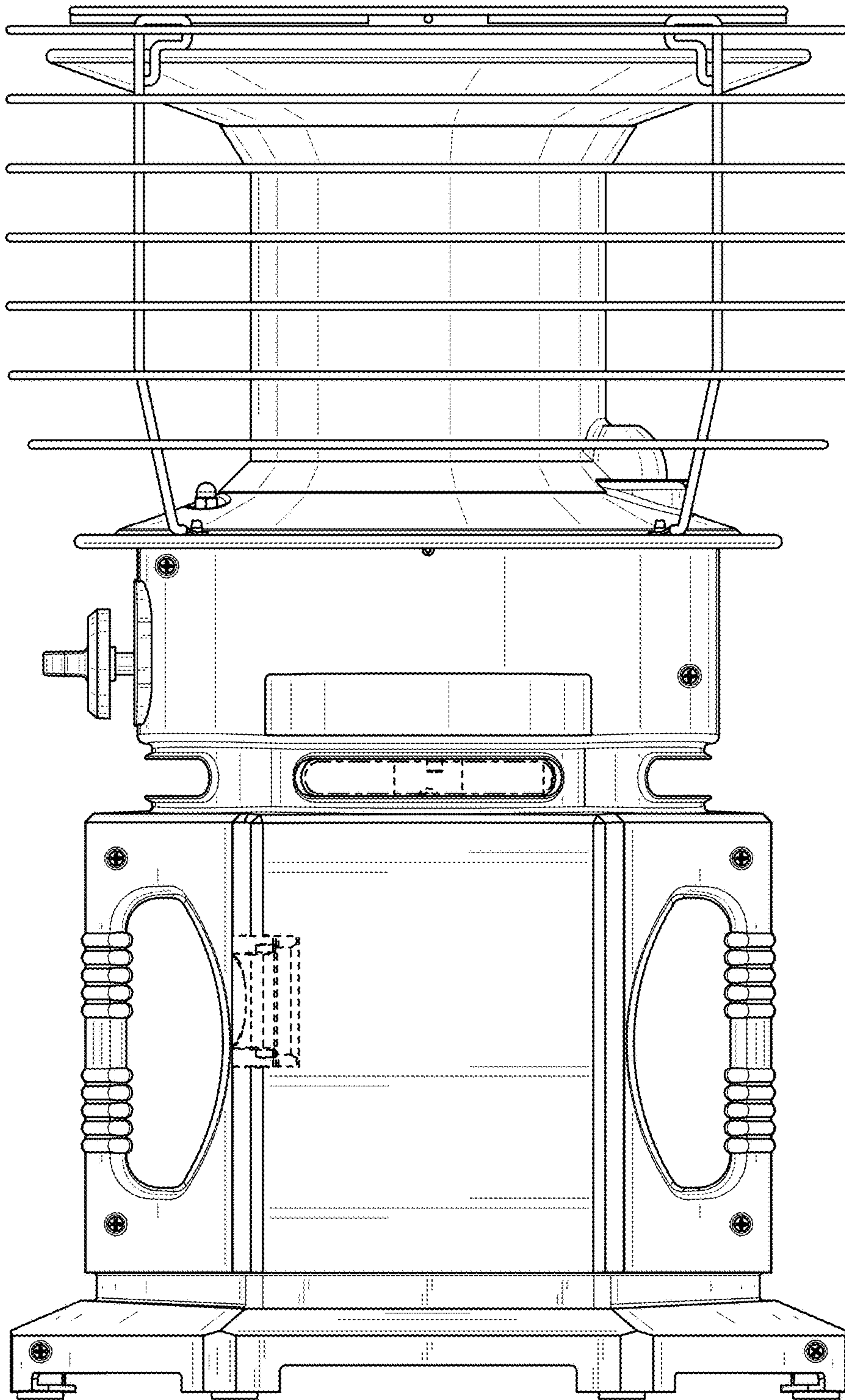


FIG. 5

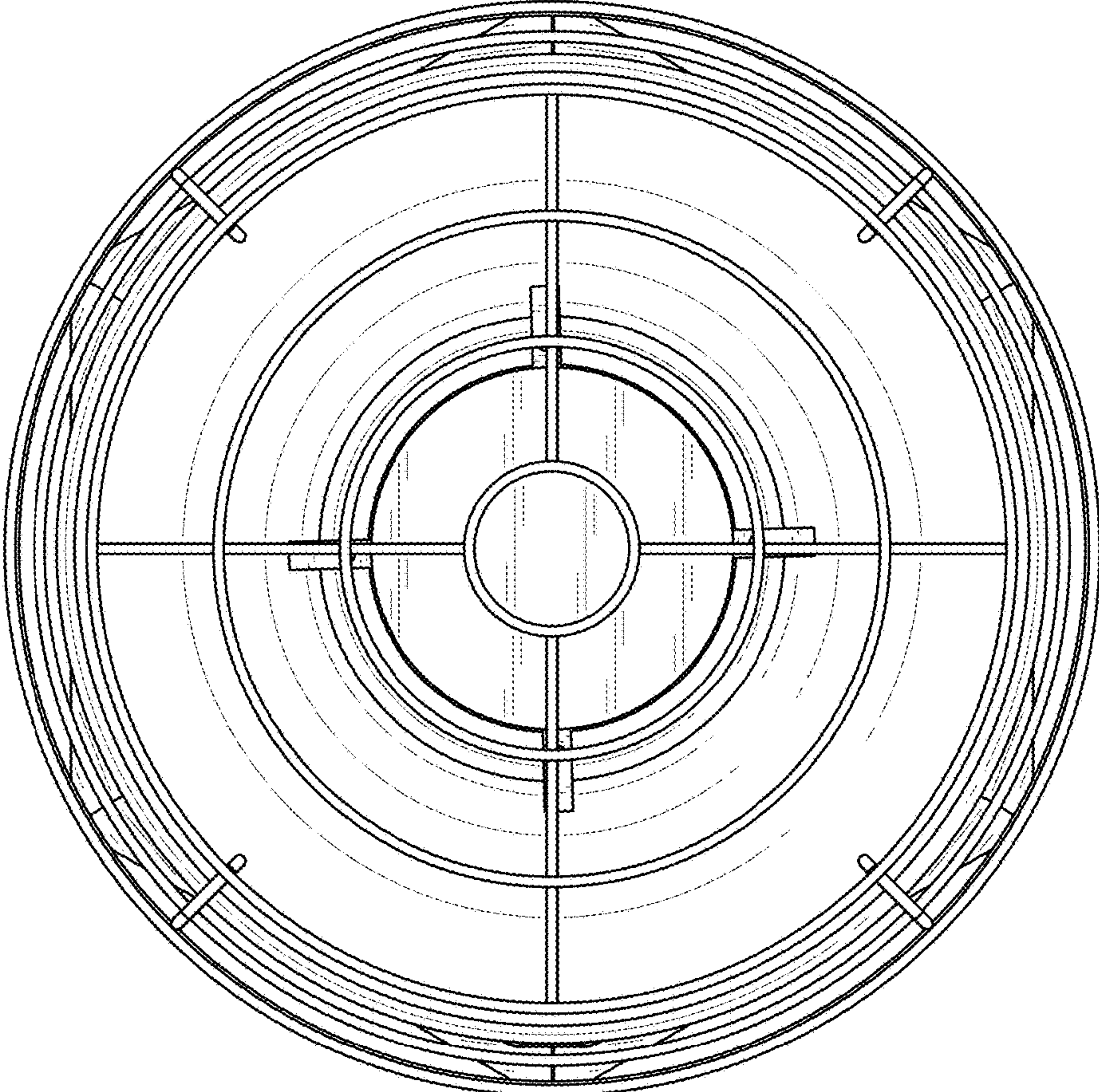


FIG. 6

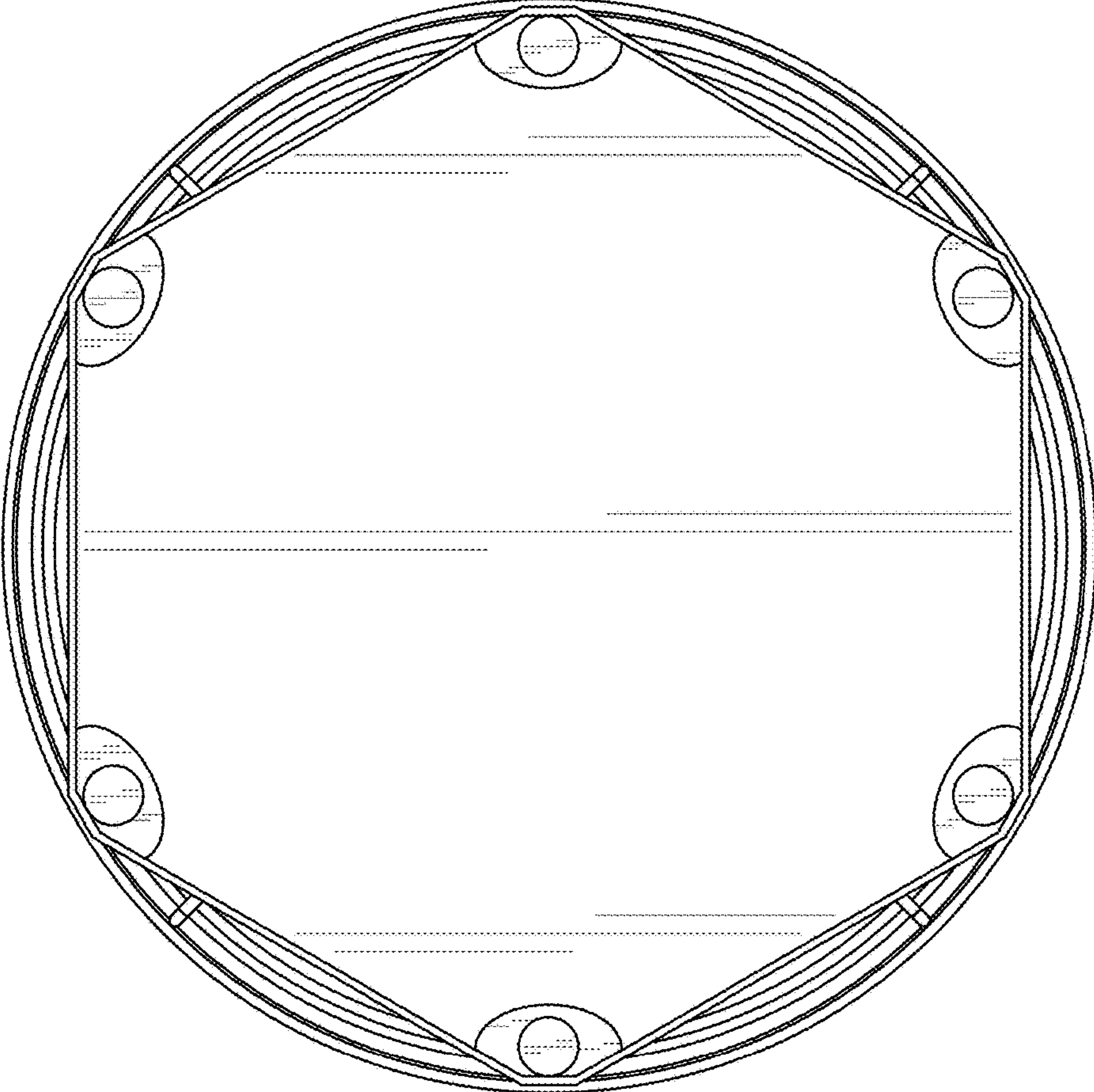


FIG. 7