



US00D864364S

(12) **United States Design Patent** (10) **Patent No.:** **US D864,364 S**
Kergoët (45) **Date of Patent:** **** Oct. 22, 2019**

(54) **SINK**

(71) Applicant: **Kohler Co.**, Kohler, WI (US)

(72) Inventor: **François Kergoët**, Malakoff (FR)

(73) Assignee: **KOHLER CO.**, Kohler, WI (US)

(**) Term: **15 Years**

(21) Appl. No.: **29/645,856**

(22) Filed: **Apr. 30, 2018**

(51) **LOC (12) Cl.** **23-01**

(52) **U.S. Cl.**
USPC **D23/288**

(58) **Field of Classification Search**
USPC D23/284, 288, 290, 308, 201
See application file for complete search history.

(56) **References Cited**

U.S. PATENT DOCUMENTS

965,164 A *	7/1910	Dunbar	E03C 1/18 4/619
D79,312 S *	8/1929	Watrous	D23/291
D434,124 S *	11/2000	McKeone	D23/284
D510,983 S *	10/2005	Kergoët	D23/277
D545,410 S *	6/2007	Lin	D23/293.1
D545,413 S *	6/2007	Lin	D23/293.1
D558,861 S *	1/2008	Spangler	D23/293.1
D673,660 S *	1/2013	Massaud	D23/293.1
D724,710 S *	3/2015	Clarke	D23/293.1
D745,121 S *	12/2015	Schonherr	D23/284
D746,961 S *	1/2016	Clarke	D23/293.1
D761,400 S *	7/2016	Flowers	D23/293.1
D815,259 S *	4/2018	Moller	D23/284

(Continued)

Primary Examiner — Robert A Delehanty

(74) Attorney, Agent, or Firm — Foley & Lardner LLP

(57) **CLAIM**

I claim the ornamental design for a sink, as shown and described.

DESCRIPTION

FIG. 1 is a perspective view of an embodiment of the claimed design;

FIG. 2 is a front view of the claimed design shown in FIG. 1;

FIG. 3 is a rear view of the claimed design shown in FIG. 1;

FIG. 4 is a top view of the claimed design shown in FIG. 1;

FIG. 5 is a bottom view of the claimed design shown in FIG. 1;

FIG. 6 is a side view of the claimed design shown in FIG. 1;

FIG. 7 is another side view of the claimed design shown in FIG. 1;

FIG. 8 is a perspective view of another embodiment of the claimed design;

FIG. 9 is a front view of the claimed design shown in FIG. 8;

FIG. 10 is a rear view of the claimed design shown in FIG. 8;

FIG. 11 is a top view of the claimed design shown in FIG. 8;

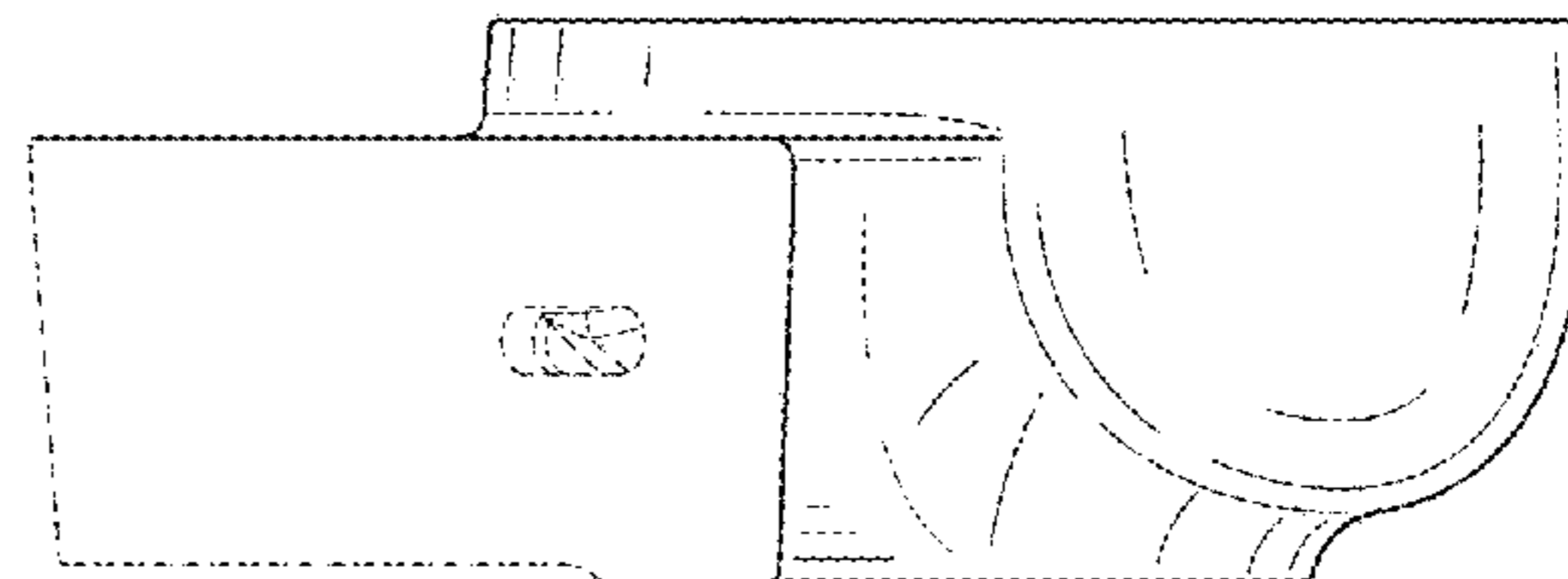
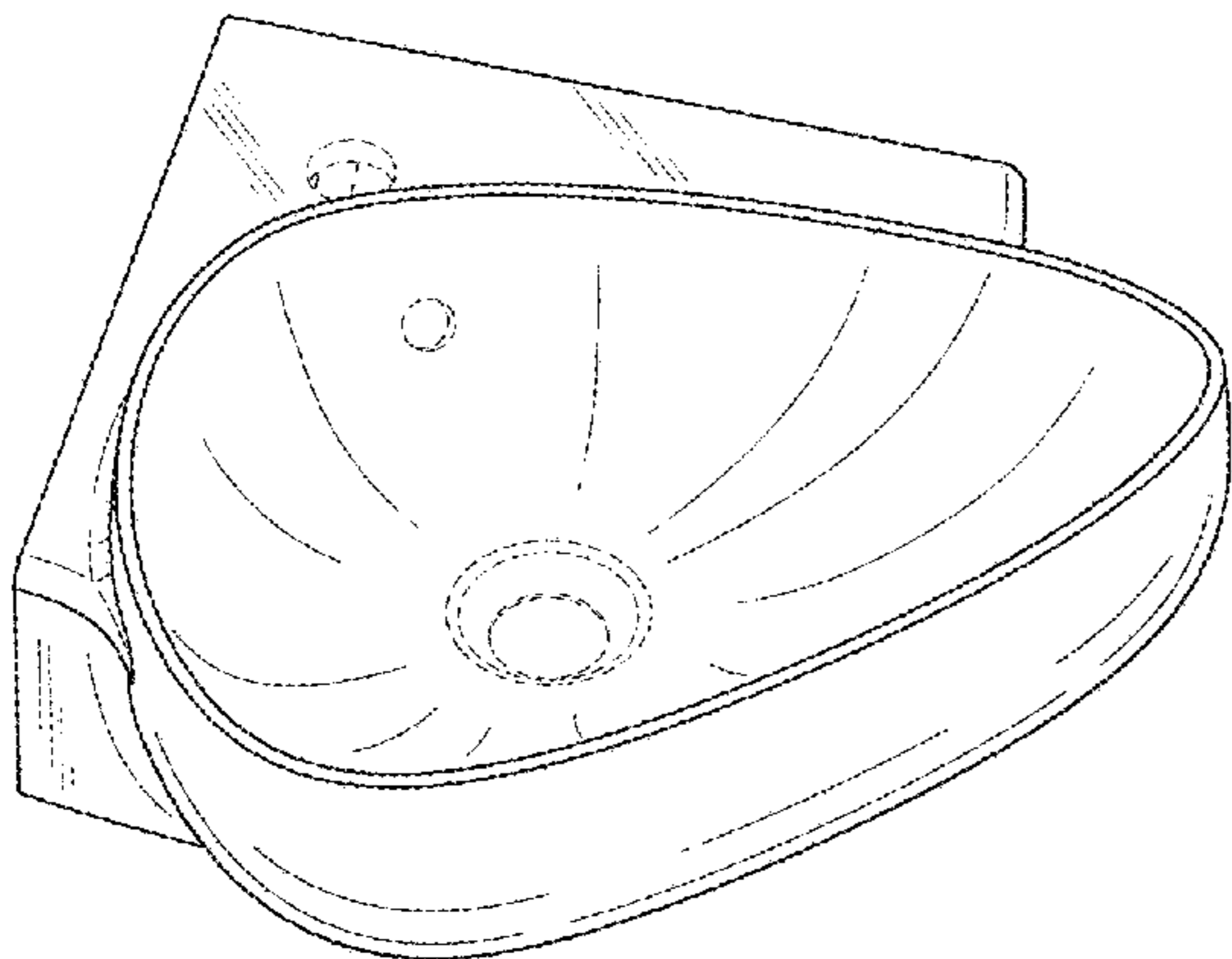
FIG. 12 is a bottom view of the claimed design shown in FIG. 8;

FIG. 13 is a side view of the claimed design shown in FIG. 8; and,

FIG. 14 is another side view of the claimed design shown in FIG. 8.

The ornamental design that is claimed is shown in the drawings as solid lines and surfaces having surface shading. The broken lines in the drawings are for illustrative purposes only and form no part of the claimed design. For example, broken lines formed by equal length dashes show unclaimed portions of the design.

1 Claim, 10 Drawing Sheets



(56)

References Cited

U.S. PATENT DOCUMENTS

D815,260 S * 4/2018 Moller D23/284
D817,464 S * 5/2018 Lacava D23/284
D823,994 S * 7/2018 Kergoet D23/284

* cited by examiner

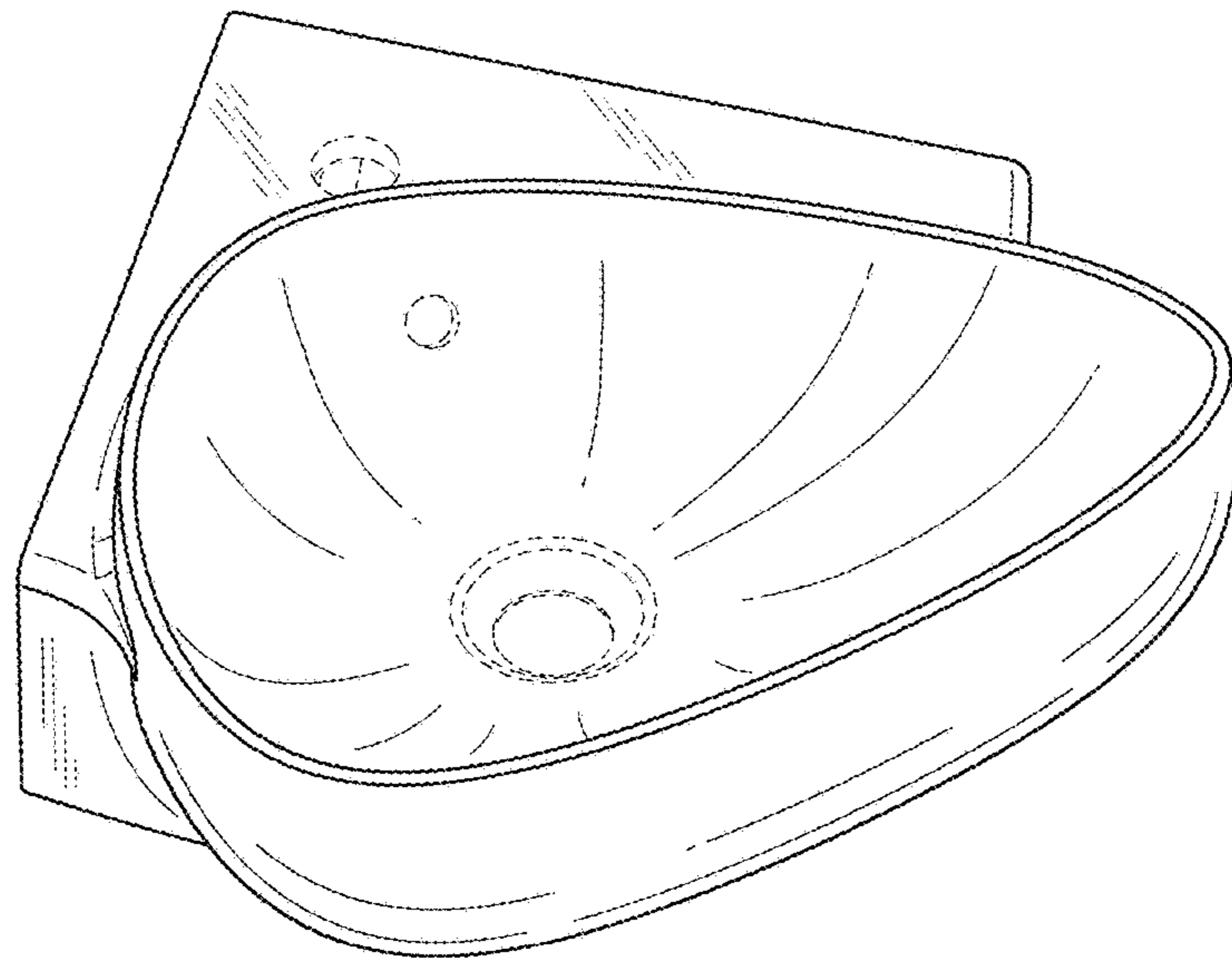


FIG. 1

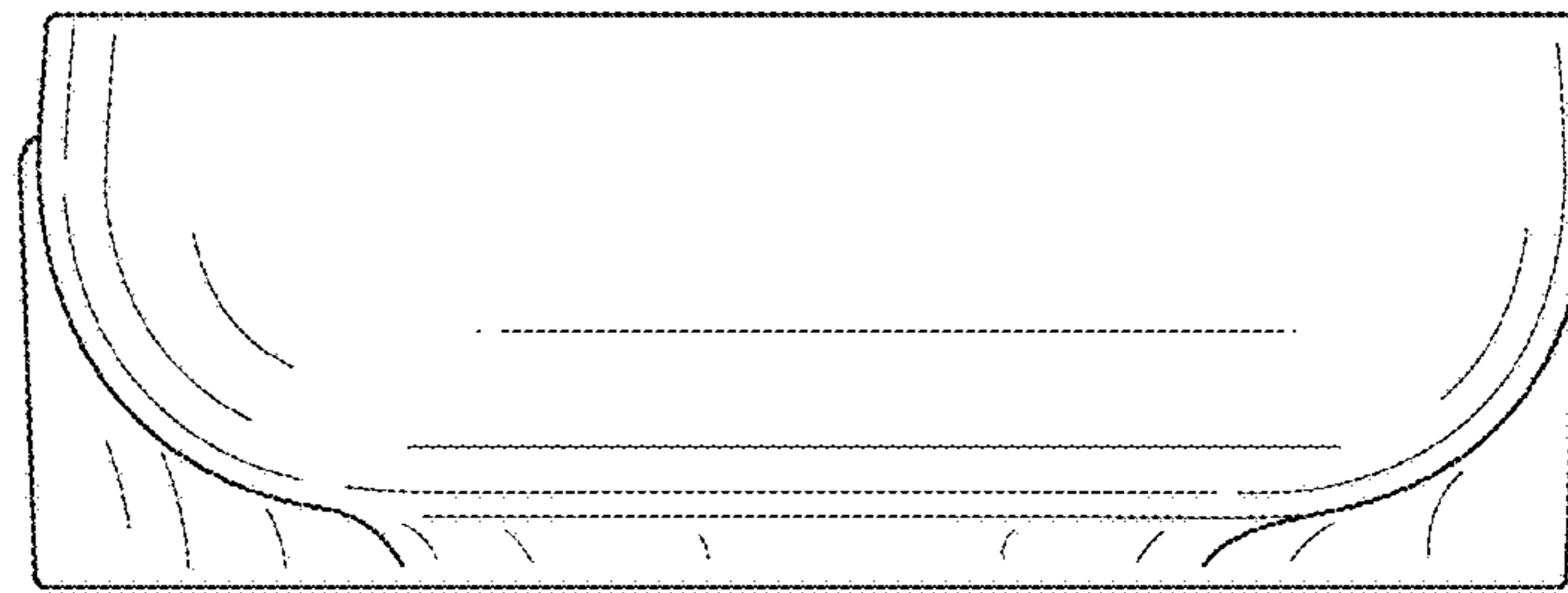


FIG. 2

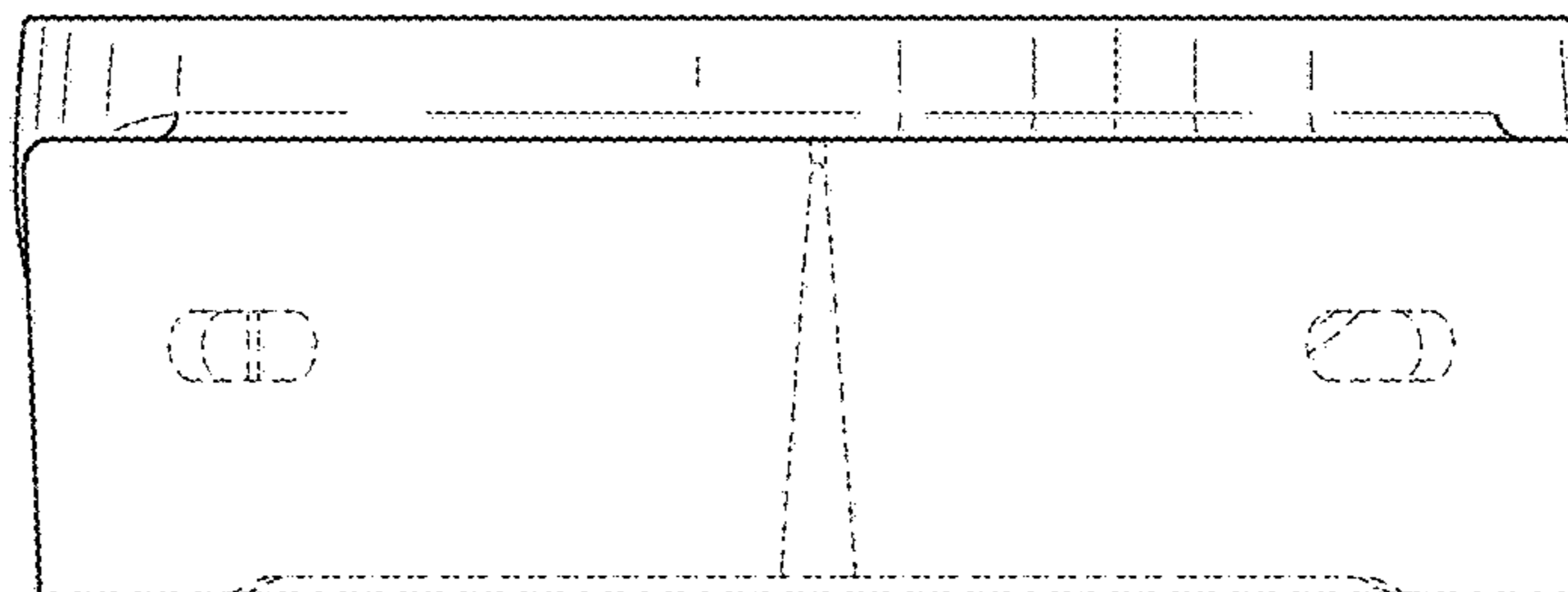


FIG. 3

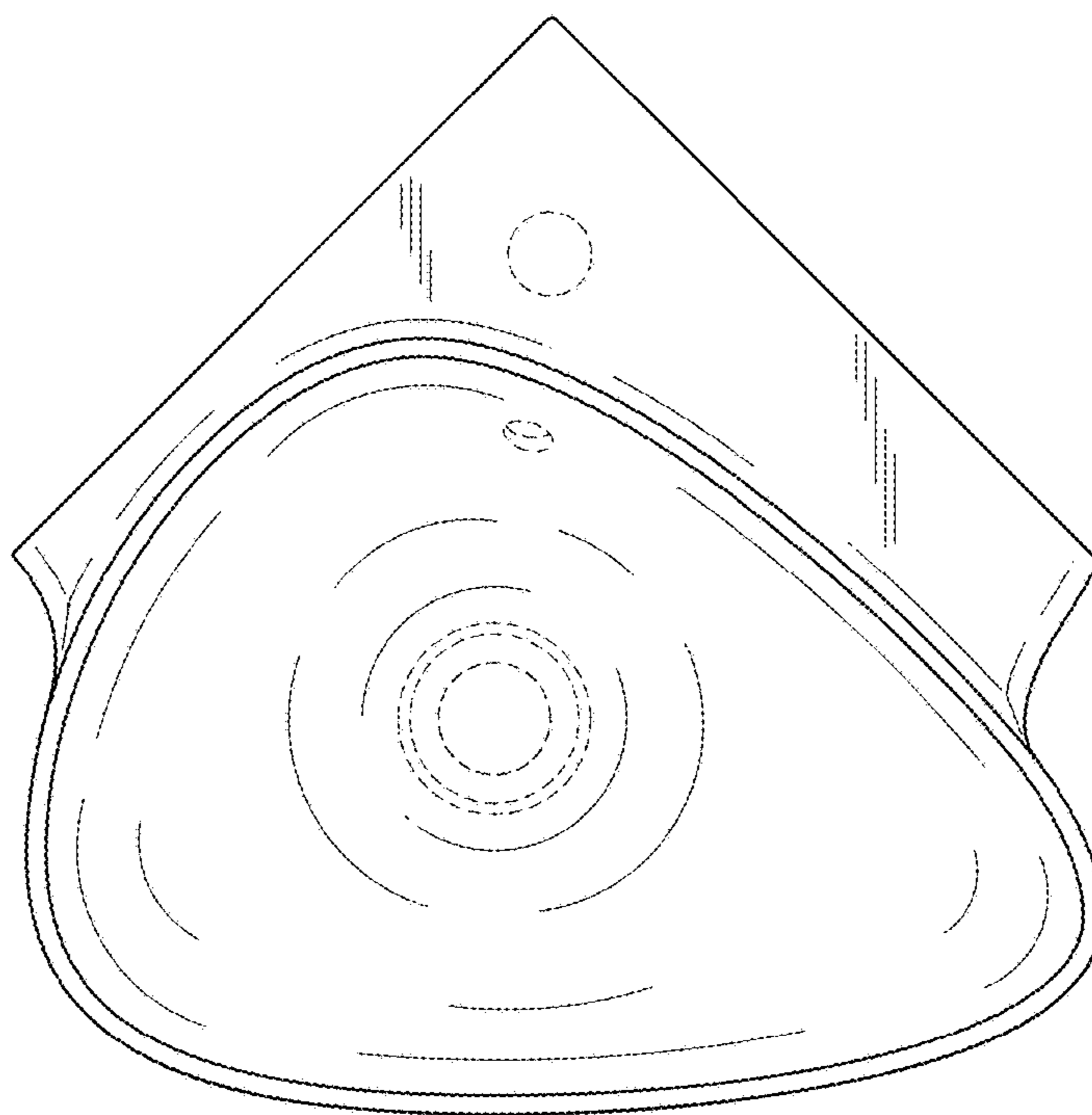


FIG. 4

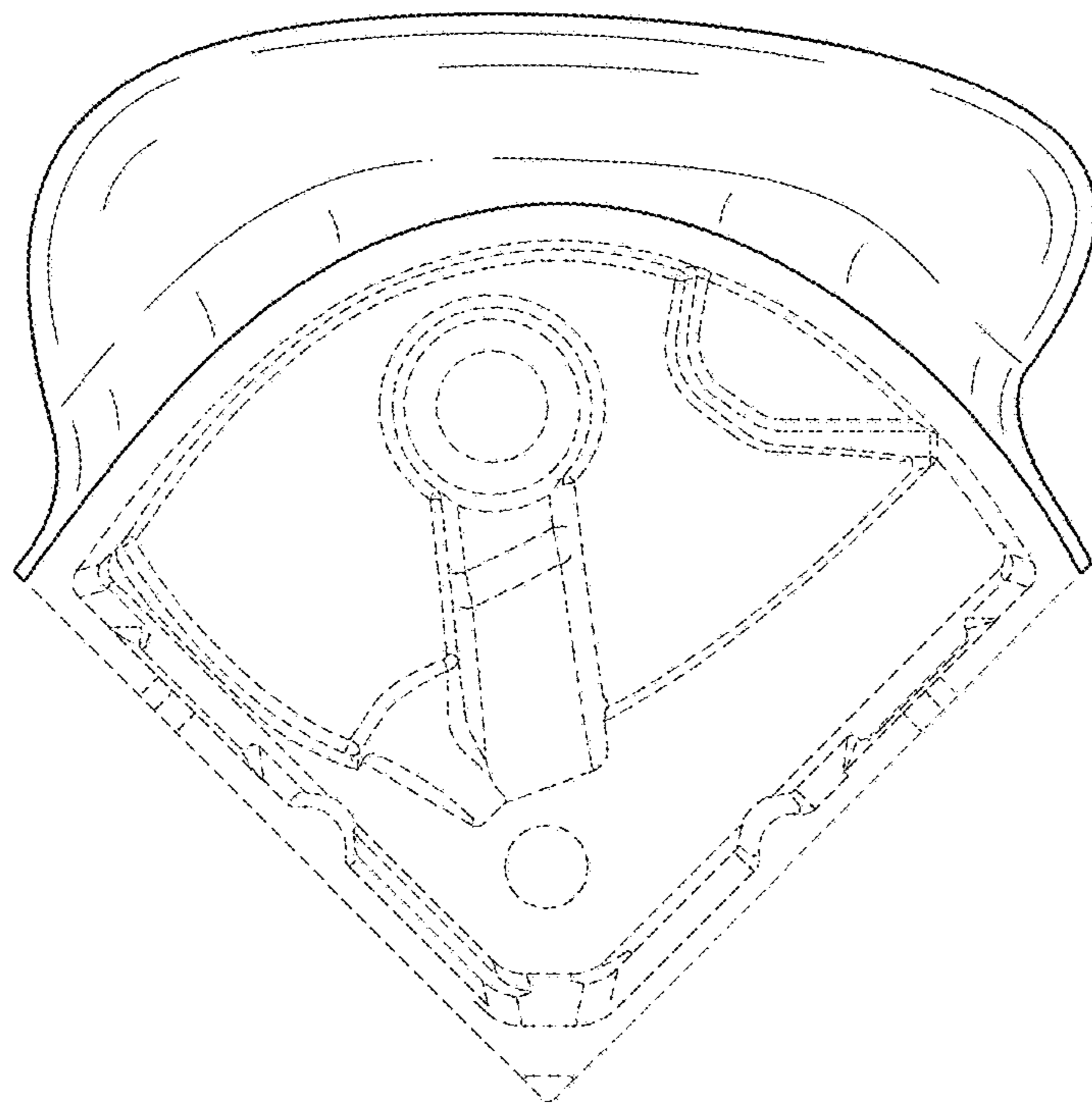


FIG. 5

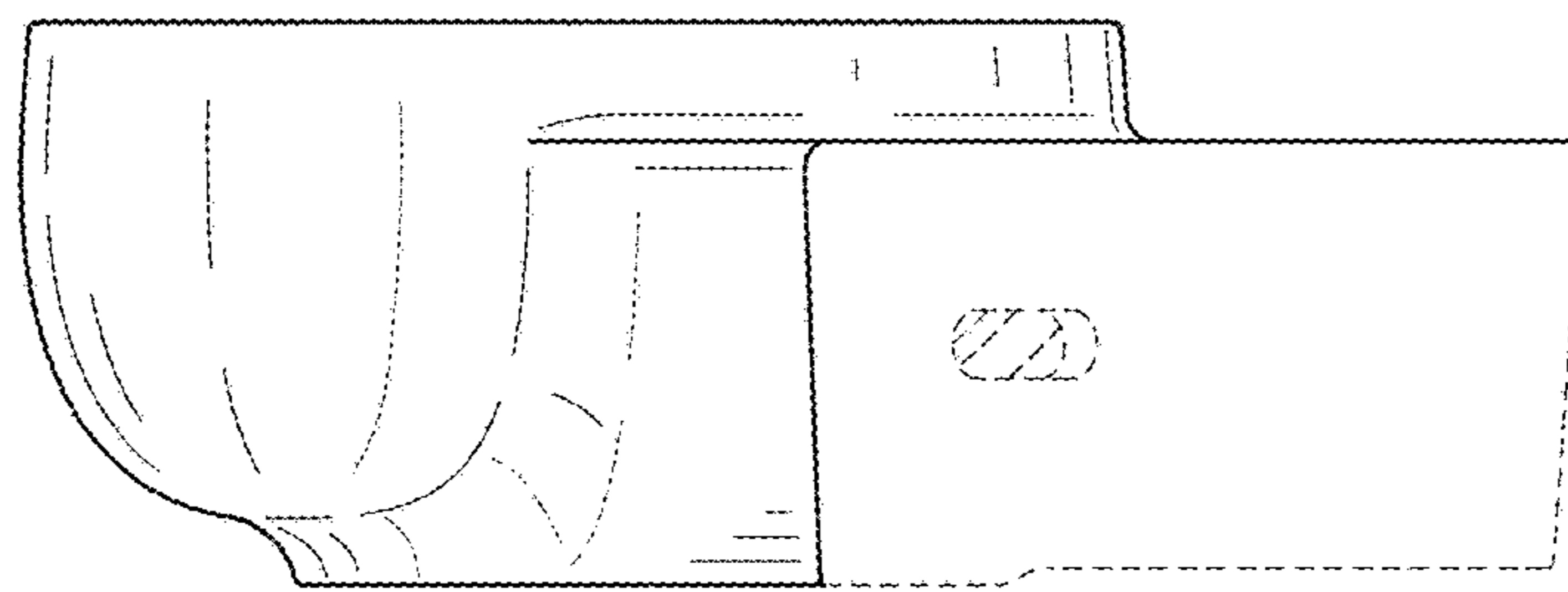


FIG. 6

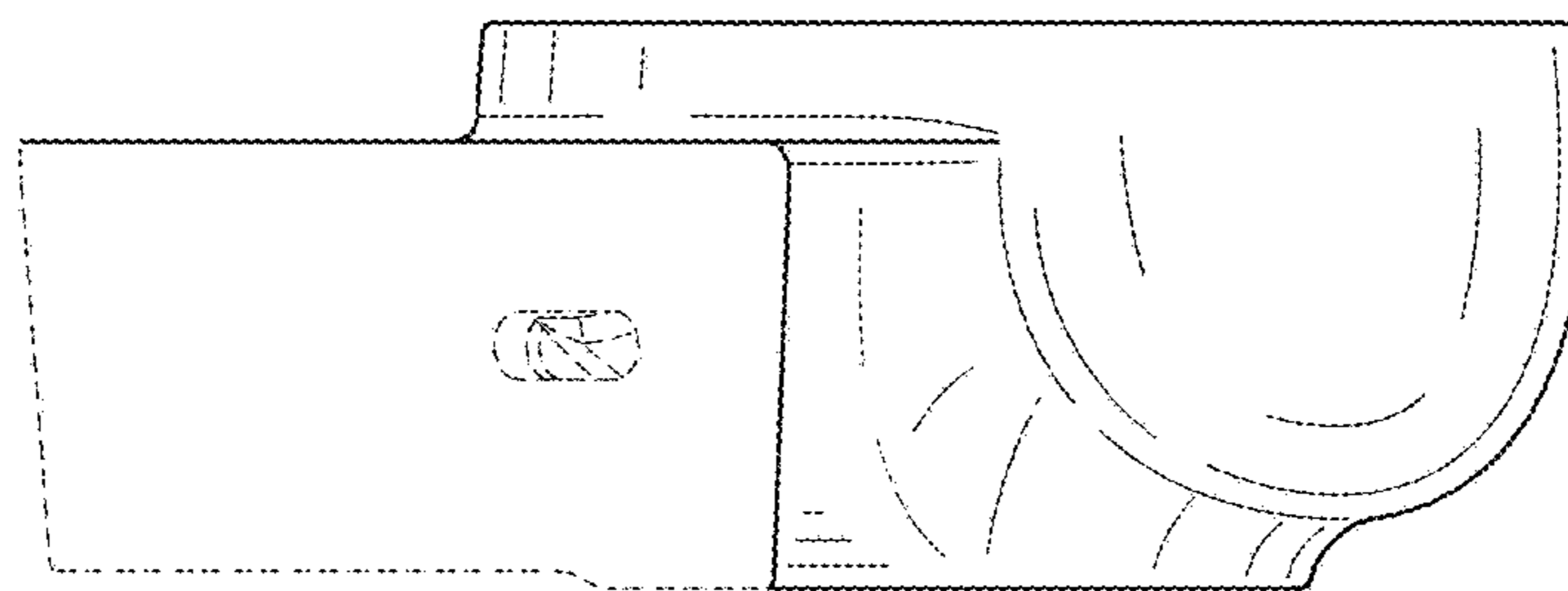


FIG. 7

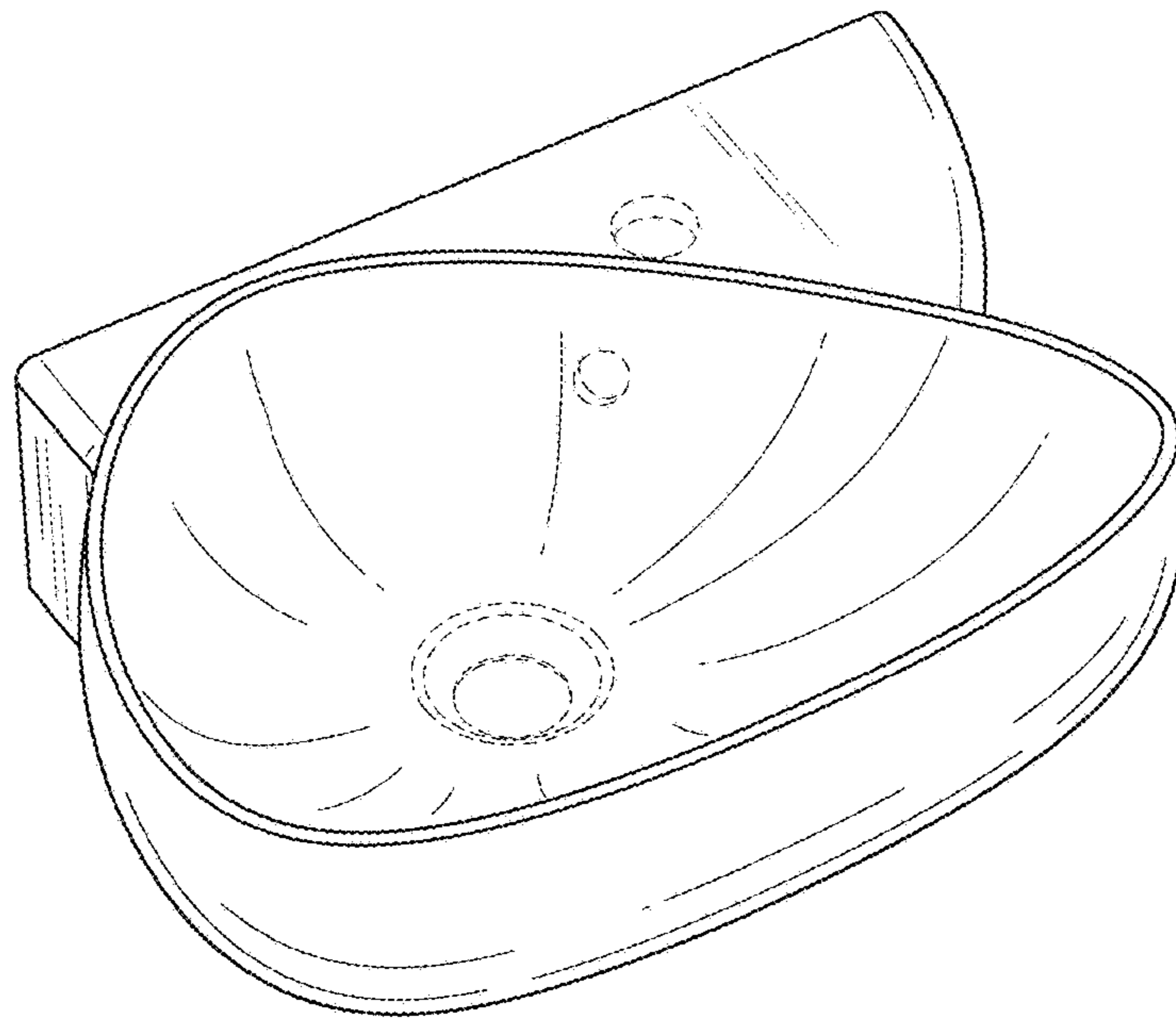


FIG. 8

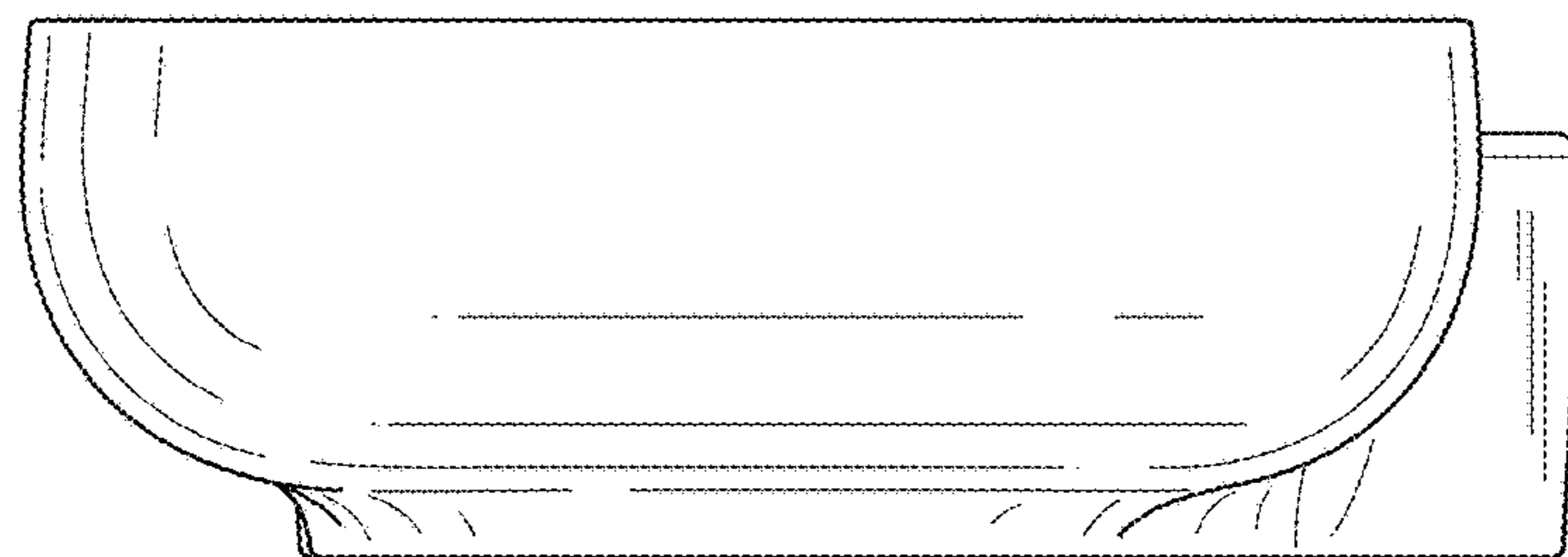


FIG. 9

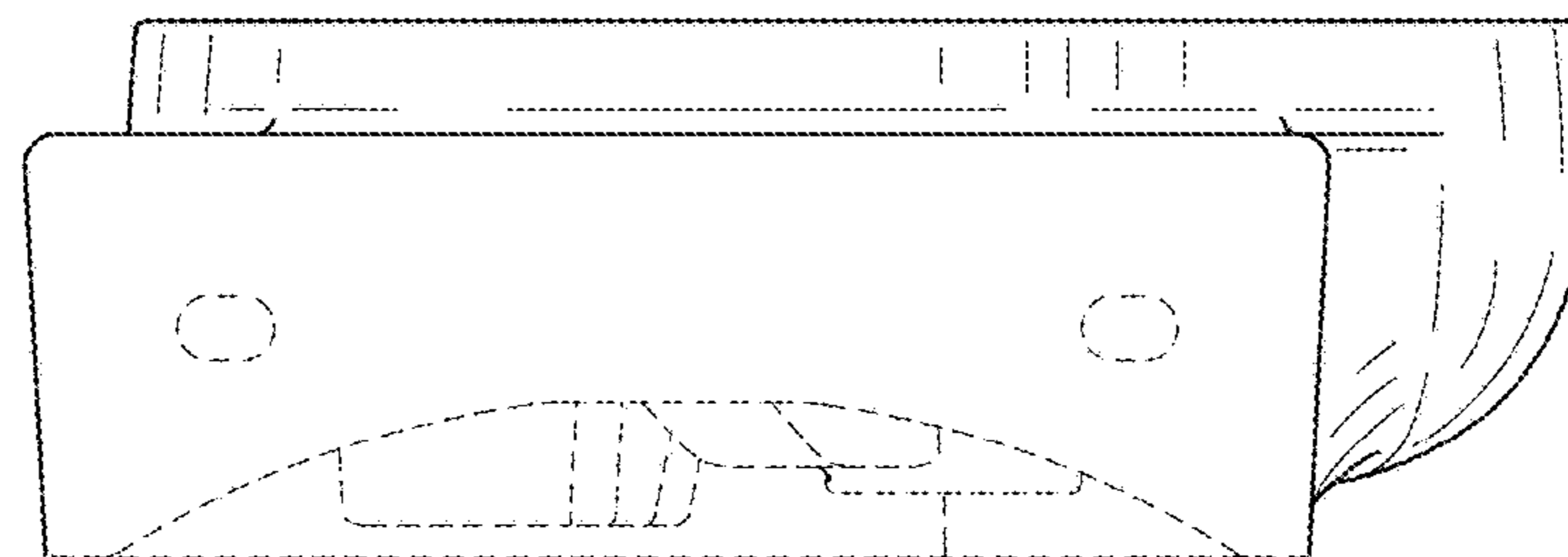


FIG. 10

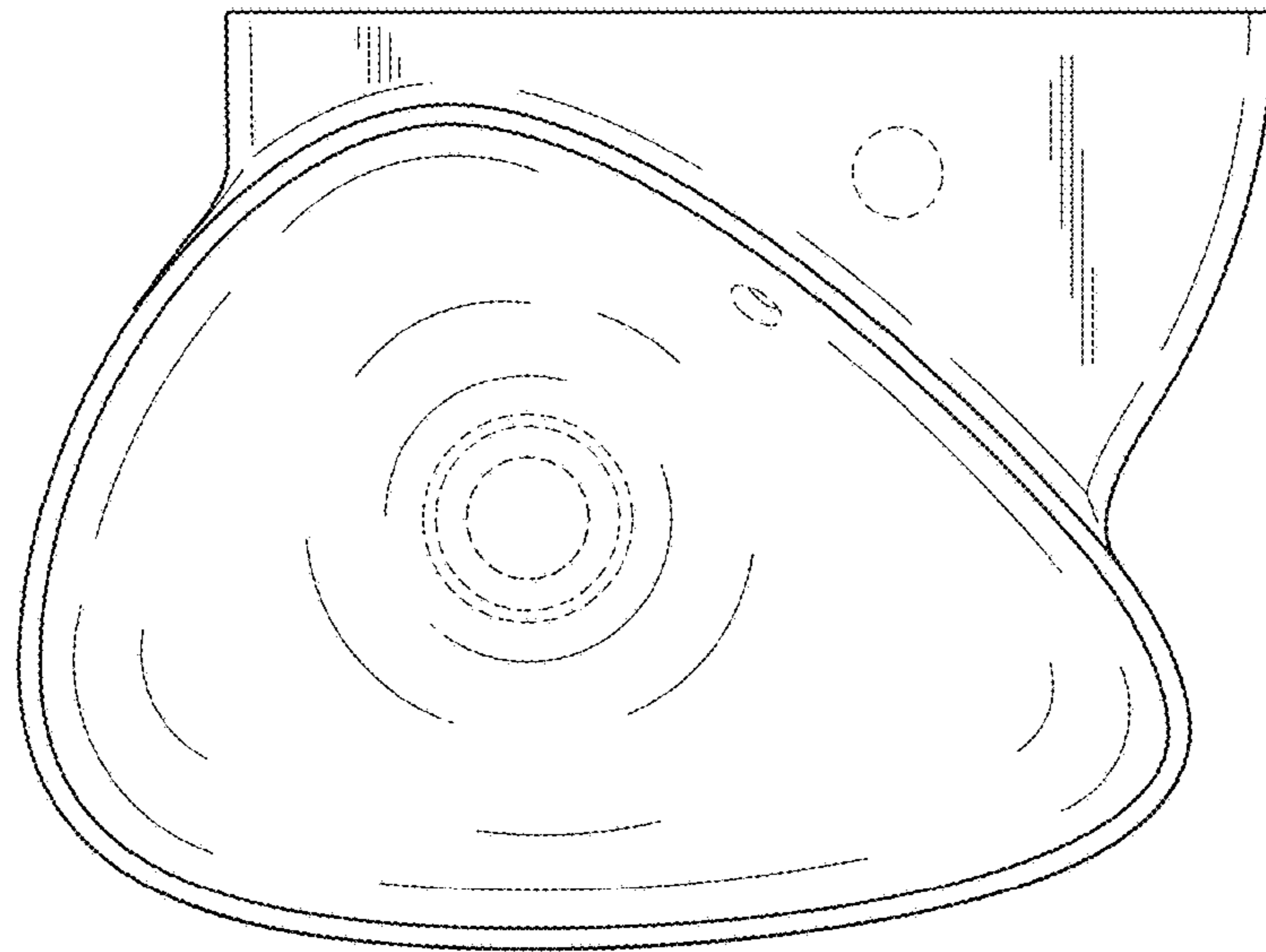


FIG. 11

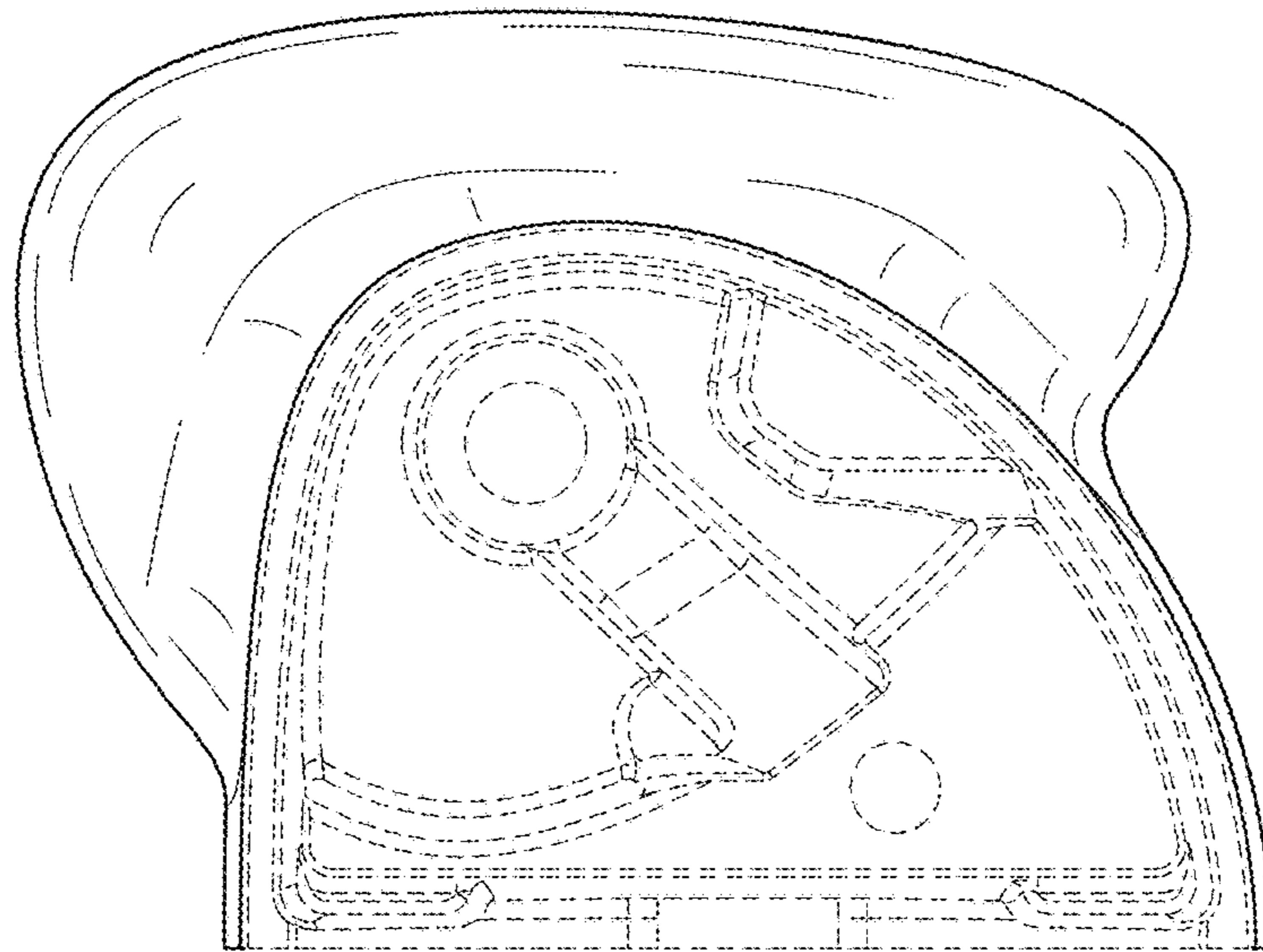


FIG. 12

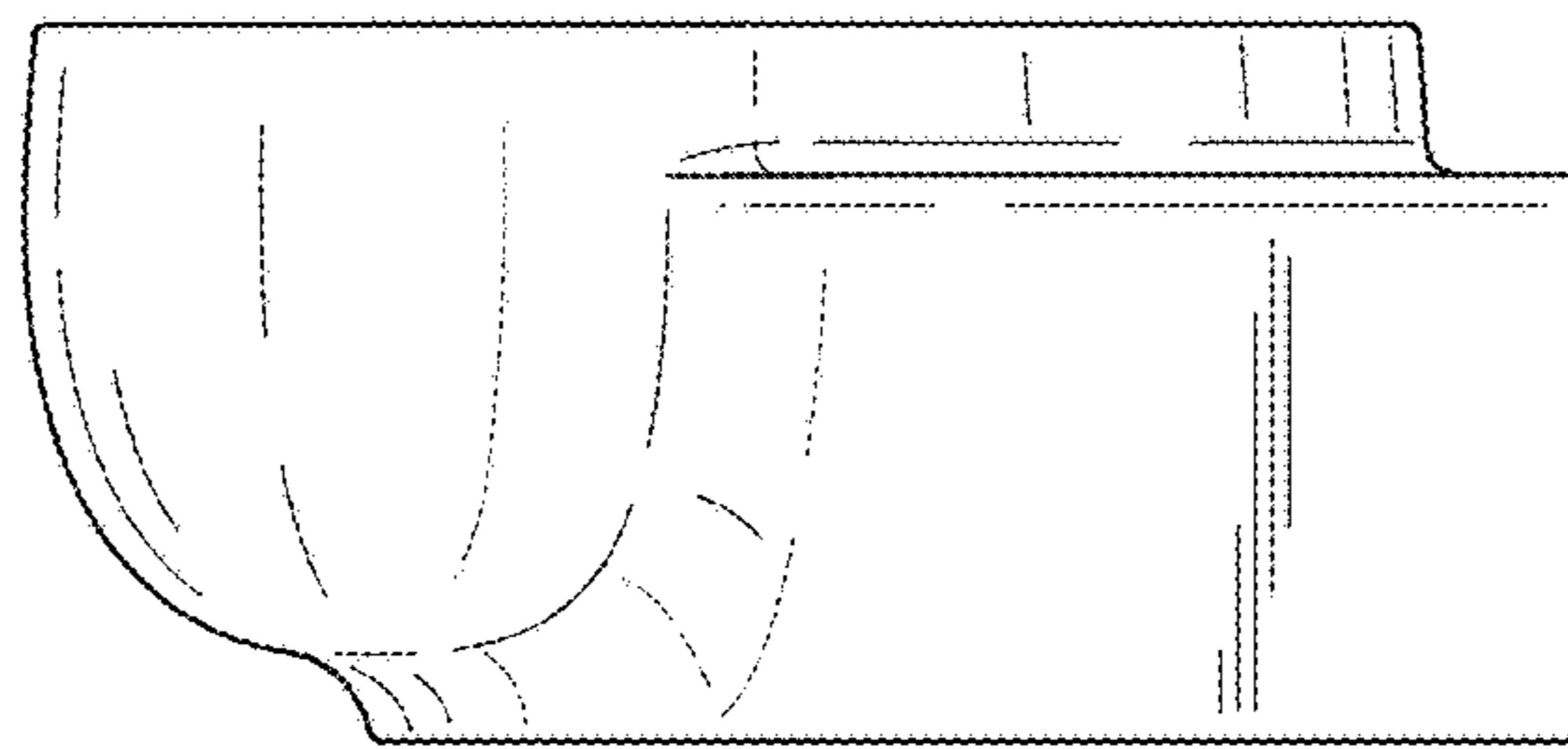


FIG. 13



FIG. 14