

US00D864363S

(12) **United States Design Patent** (10) **Patent No.:** **US D864,363 S**
Kergoët (45) **Date of Patent:** **** Oct. 22, 2019**

(54) **SINK**
(71) Applicant: **Kohler Co.**, Kohler, WI (US)
(72) Inventor: **François Kergoët**, Malakoff (FR)
(73) Assignee: **KOHLER CO.**, Kohler, WI (US)
(**) Term: **15 Years**
(21) Appl. No.: **29/645,855**
(22) Filed: **Apr. 30, 2018**
(51) **LOC (12) Cl.** **23-01**
(52) **U.S. Cl.**
USPC **D23/288**
(58) **Field of Classification Search**
USPC D23/284, 288, 290, 308, 201
See application file for complete search history.

(56) **References Cited**
U.S. PATENT DOCUMENTS
D558,861 S * 1/2008 Spangler D23/293.1
D673,660 S * 1/2013 Massaud D23/293.1
D724,710 S * 3/2015 Clarke D23/293.1
D745,121 S * 12/2015 Schonherr D23/284
D746,961 S * 1/2016 Clarke D23/293.1
D815,259 S * 4/2018 Moller D23/284
D815,260 S * 4/2018 Moller D23/284

* cited by examiner

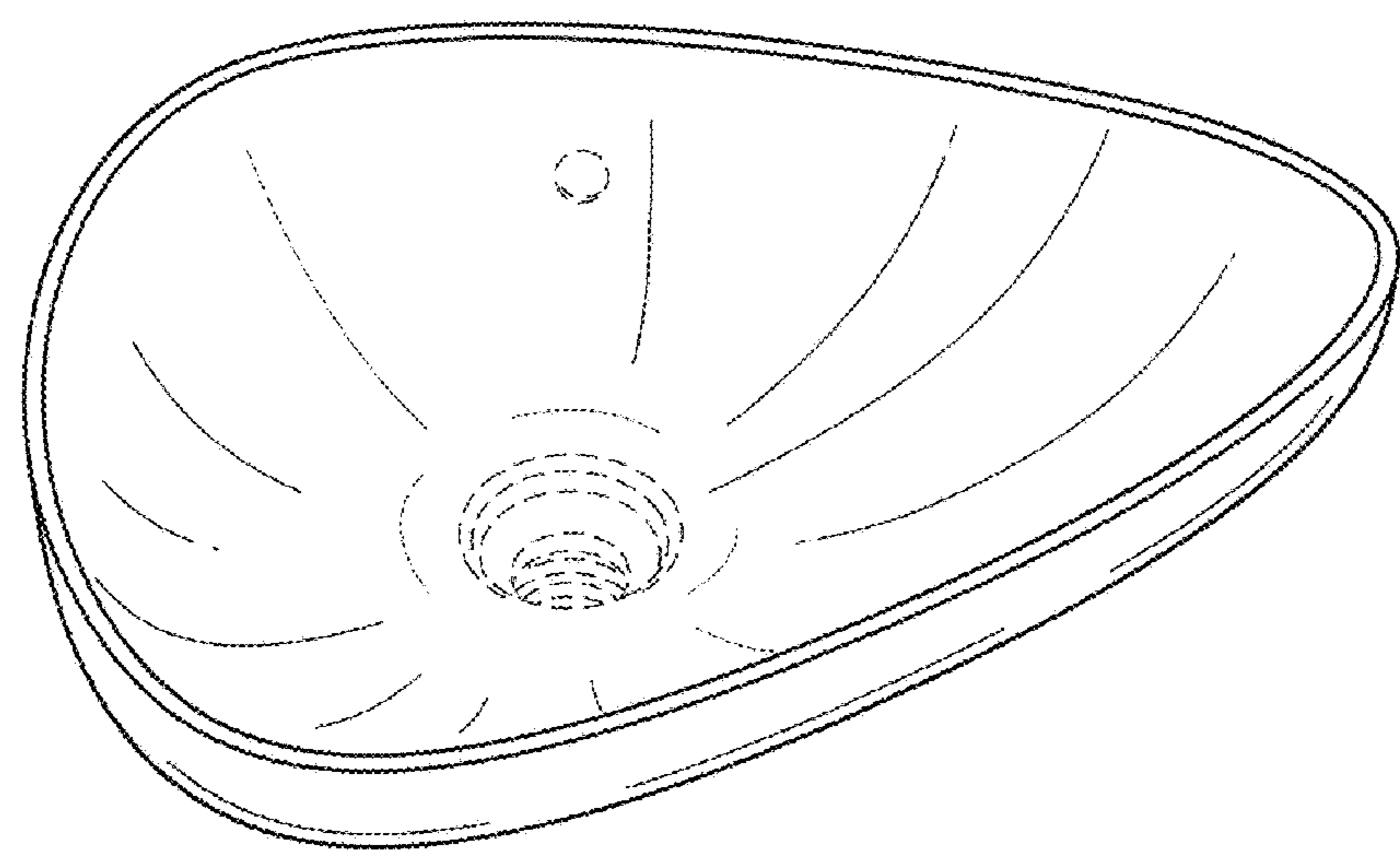
Primary Examiner — Robert A Delehanty

(74) *Attorney, Agent, or Firm* — Foley & Lardner LLP

(57) **CLAIM**
I claim the ornamental design for a sink, as shown and described.

DESCRIPTION
FIG. 1 is a perspective view of an embodiment of the claimed design;
FIG. 2 is a front view of the claimed design shown in FIG. 1;
FIG. 3 is a rear view of the claimed design shown in FIG. 1;
FIG. 4 is a top view of the claimed design shown in FIG. 1;
FIG. 5 is a bottom view of the claimed design shown in FIG. 1;
FIG. 6 is a side view of the claimed design shown in FIG. 1; and,
FIG. 7 is another side view of the claimed design shown in FIG. 1.
The ornamental design that is claimed is shown in the drawings as solid lines and surfaces having surface shading. The broken lines in the drawings are for illustrative purposes only and form no part of the claimed design. For example, broken lines formed by equal length dashes show unclaimed portions of the design. Broken lines formed of unequal length dashes (i.e., dash-dot) show boundaries between either claimed and unclaimed portions of the design or between unclaimed and unclaimed portions of the design.

1 Claim, 5 Drawing Sheets



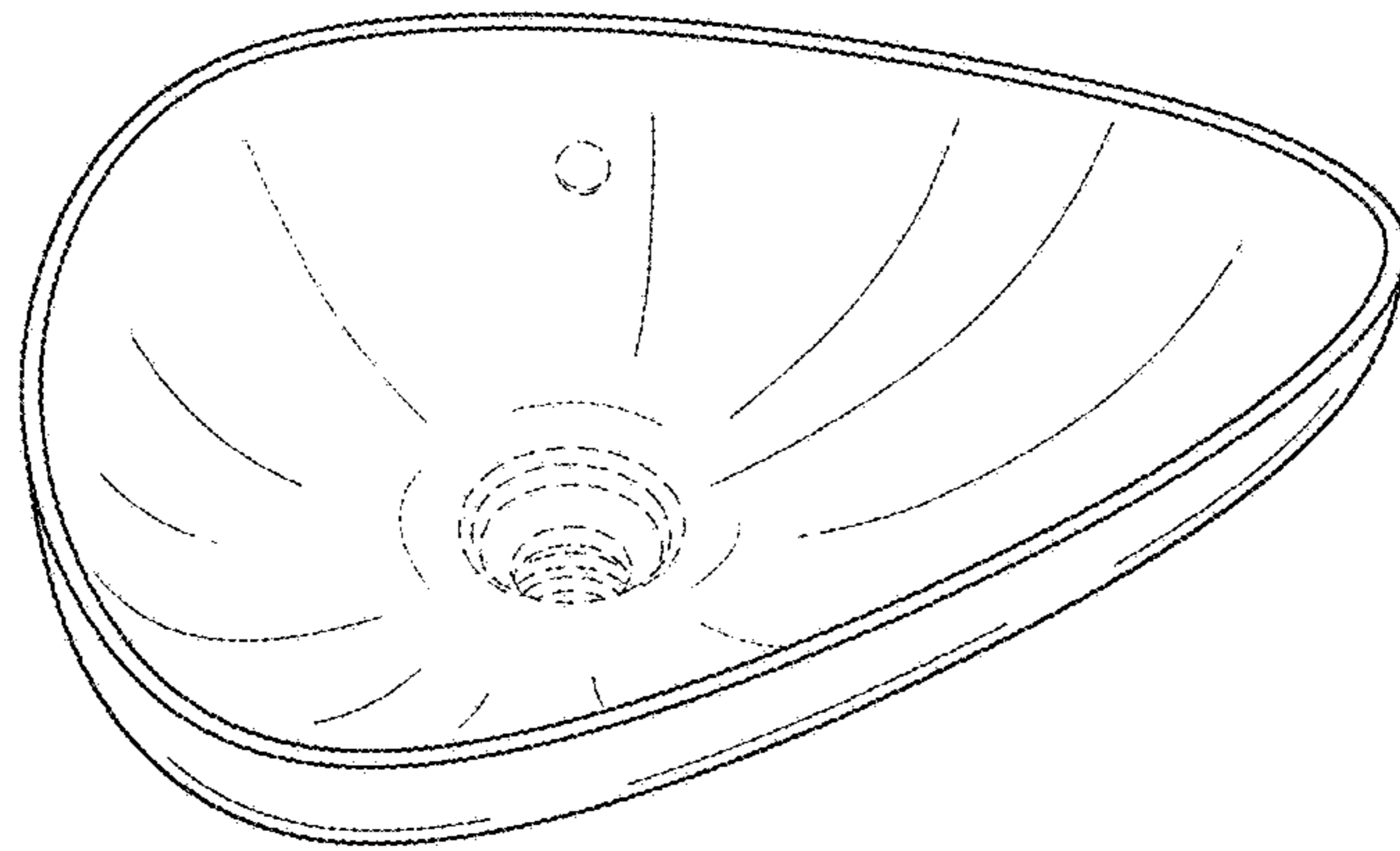


FIG. 1

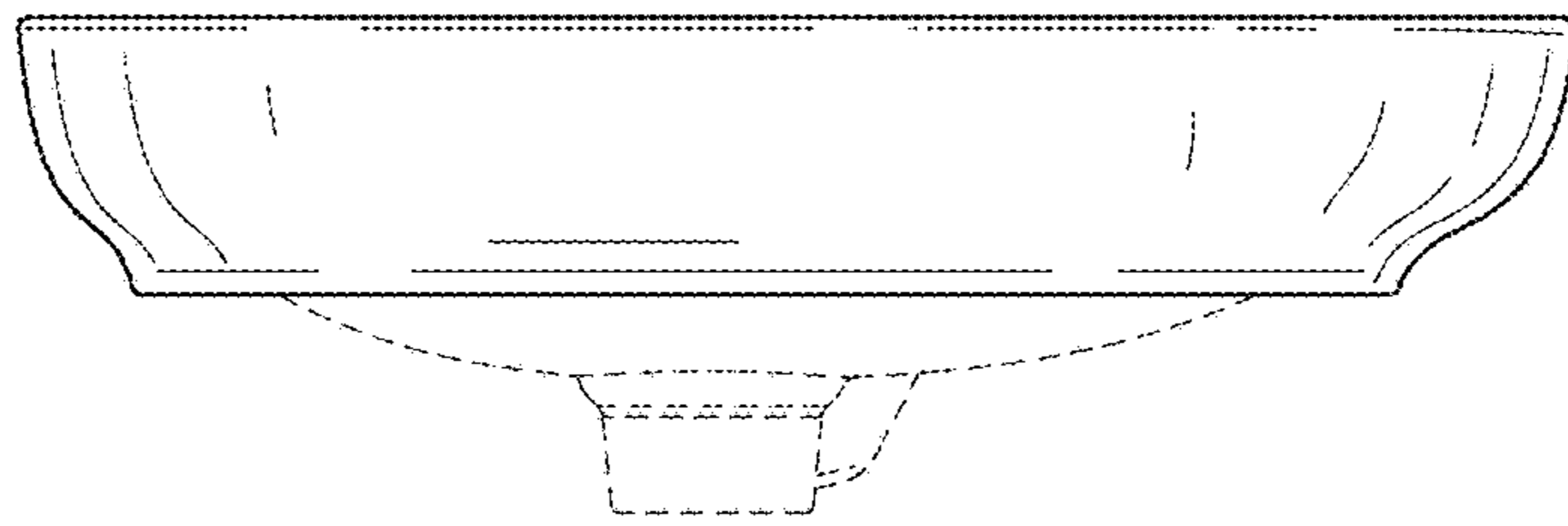


FIG. 2

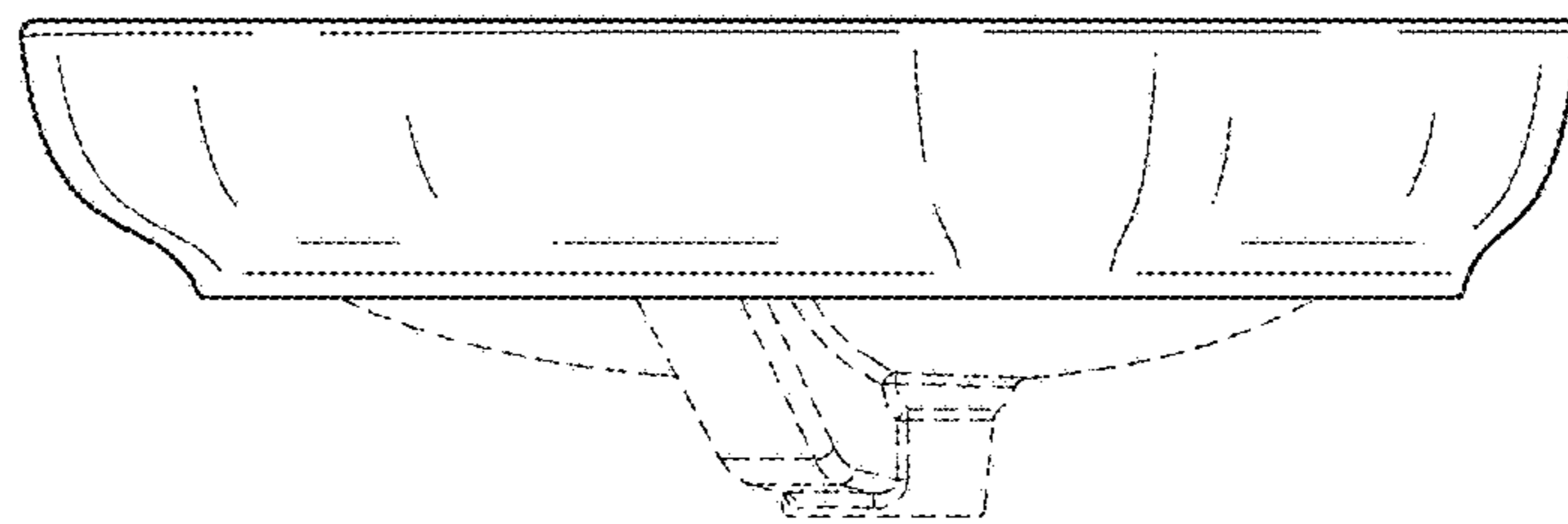


FIG. 3

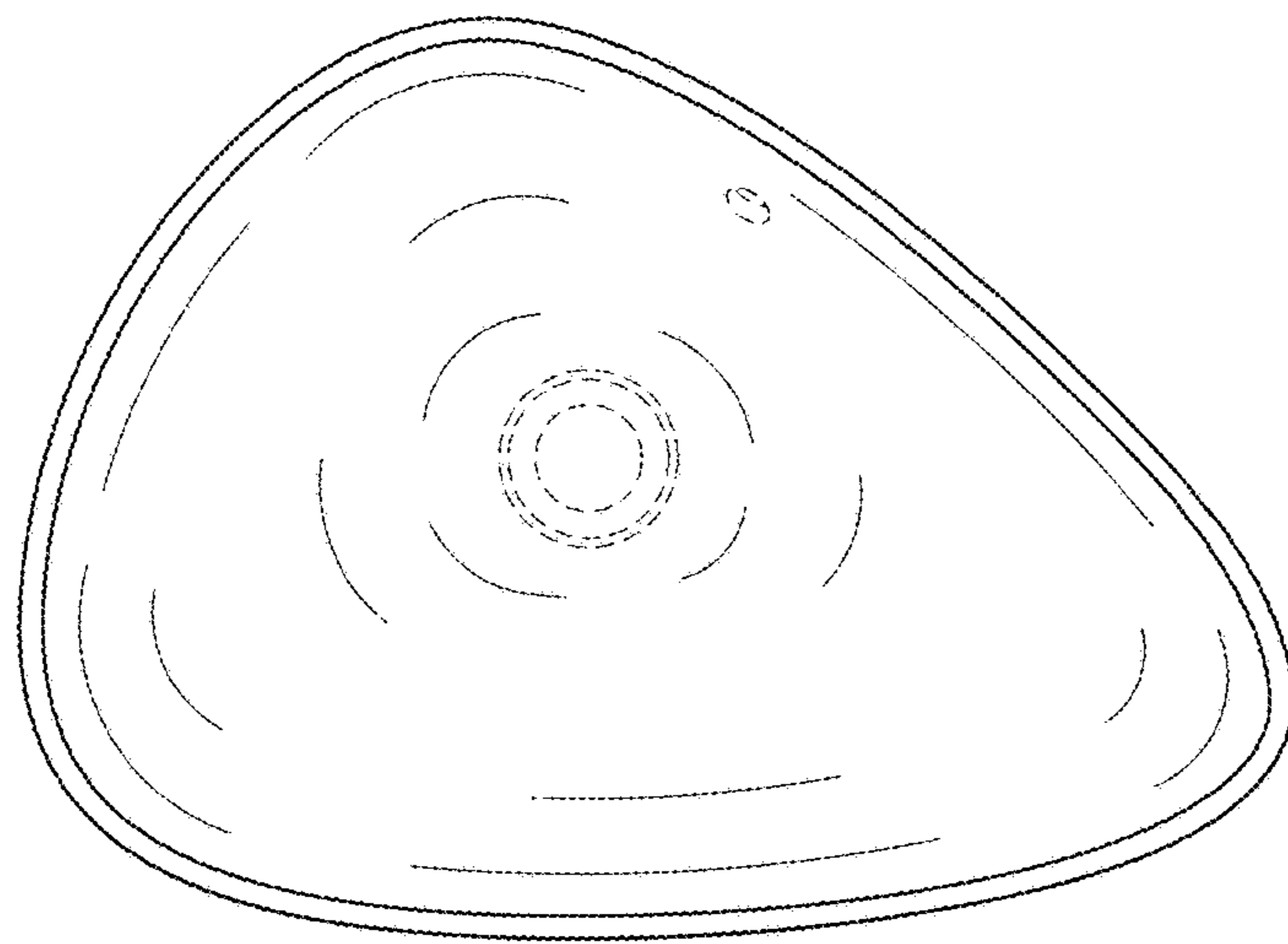


FIG. 4

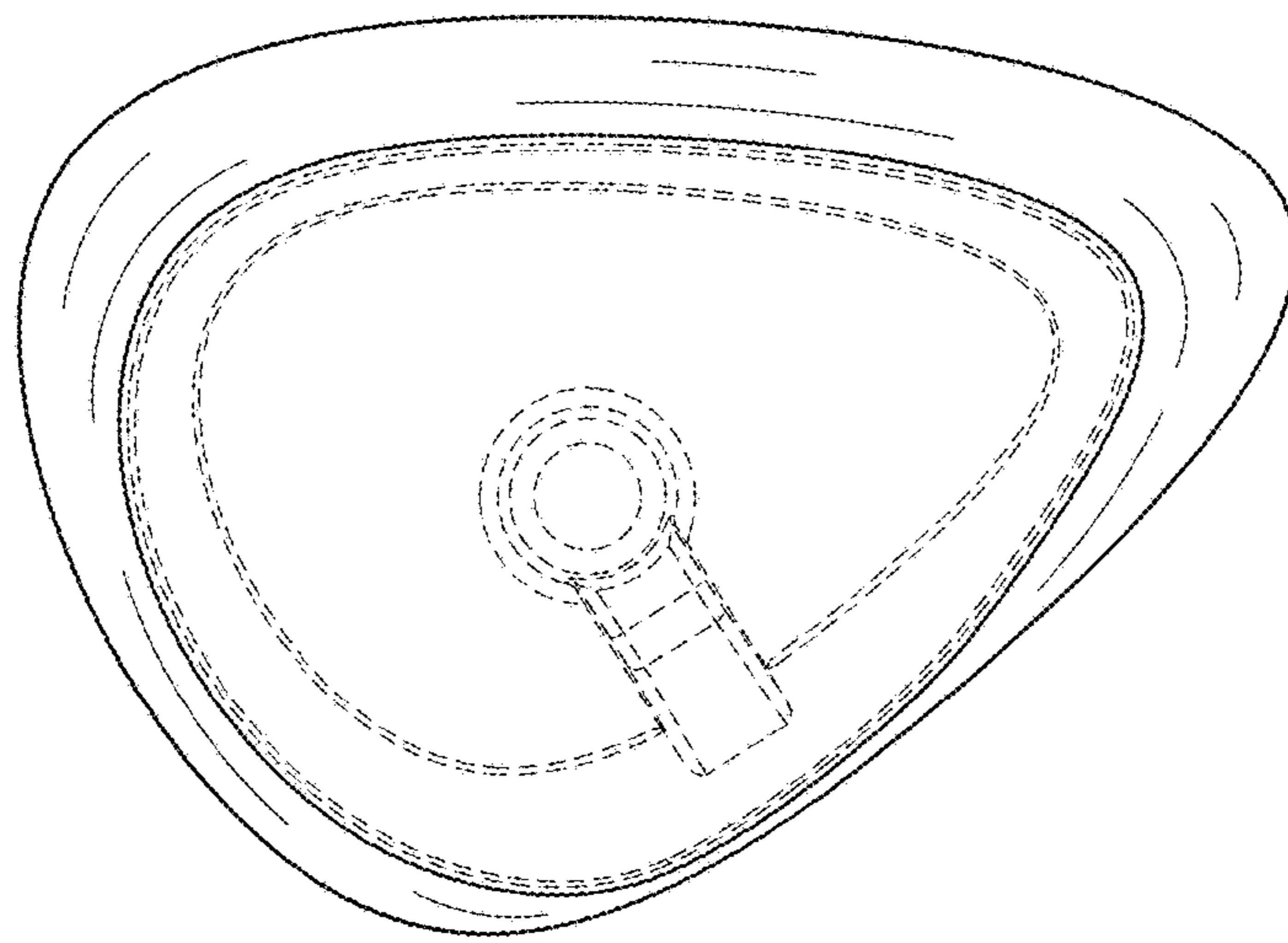


FIG. 5

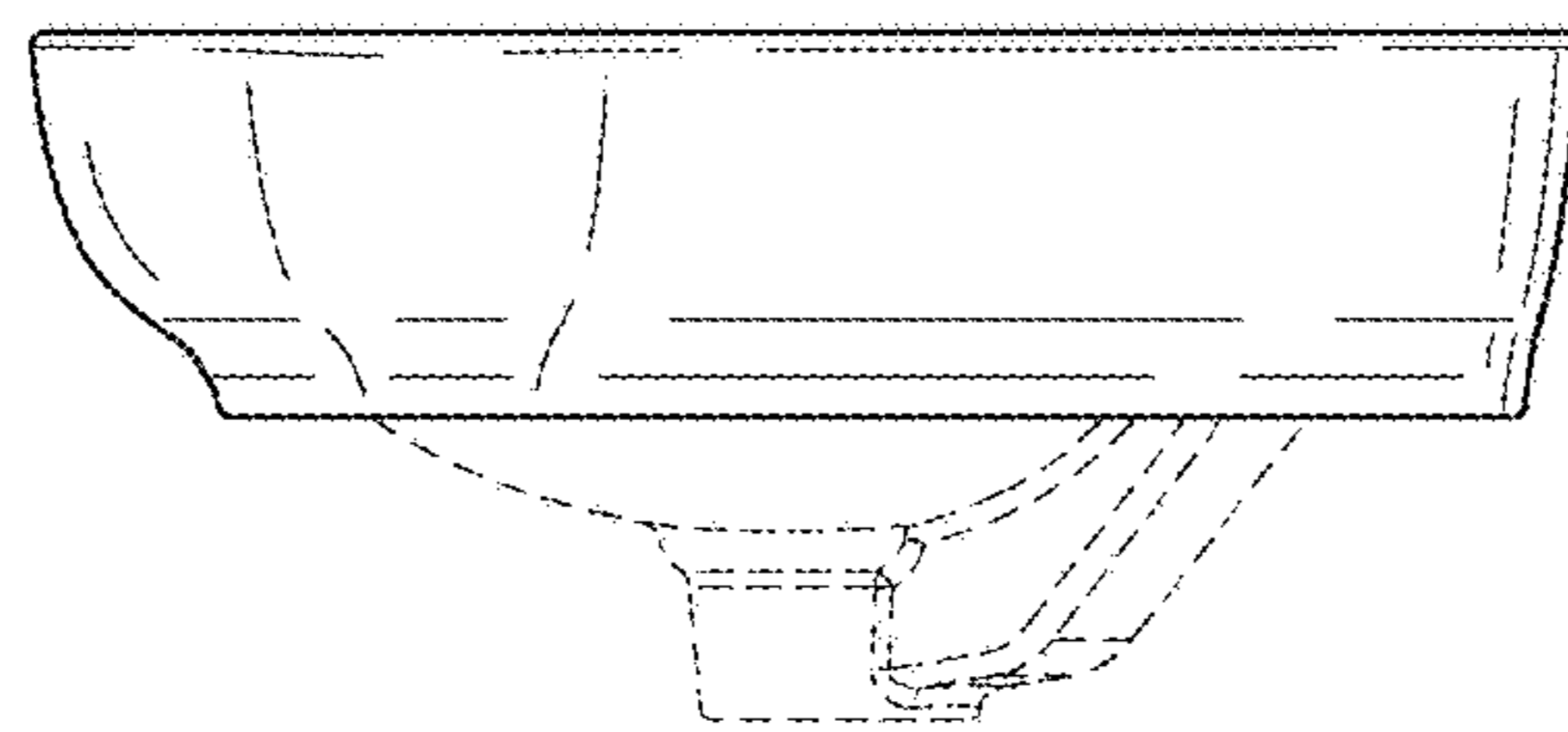


FIG. 6

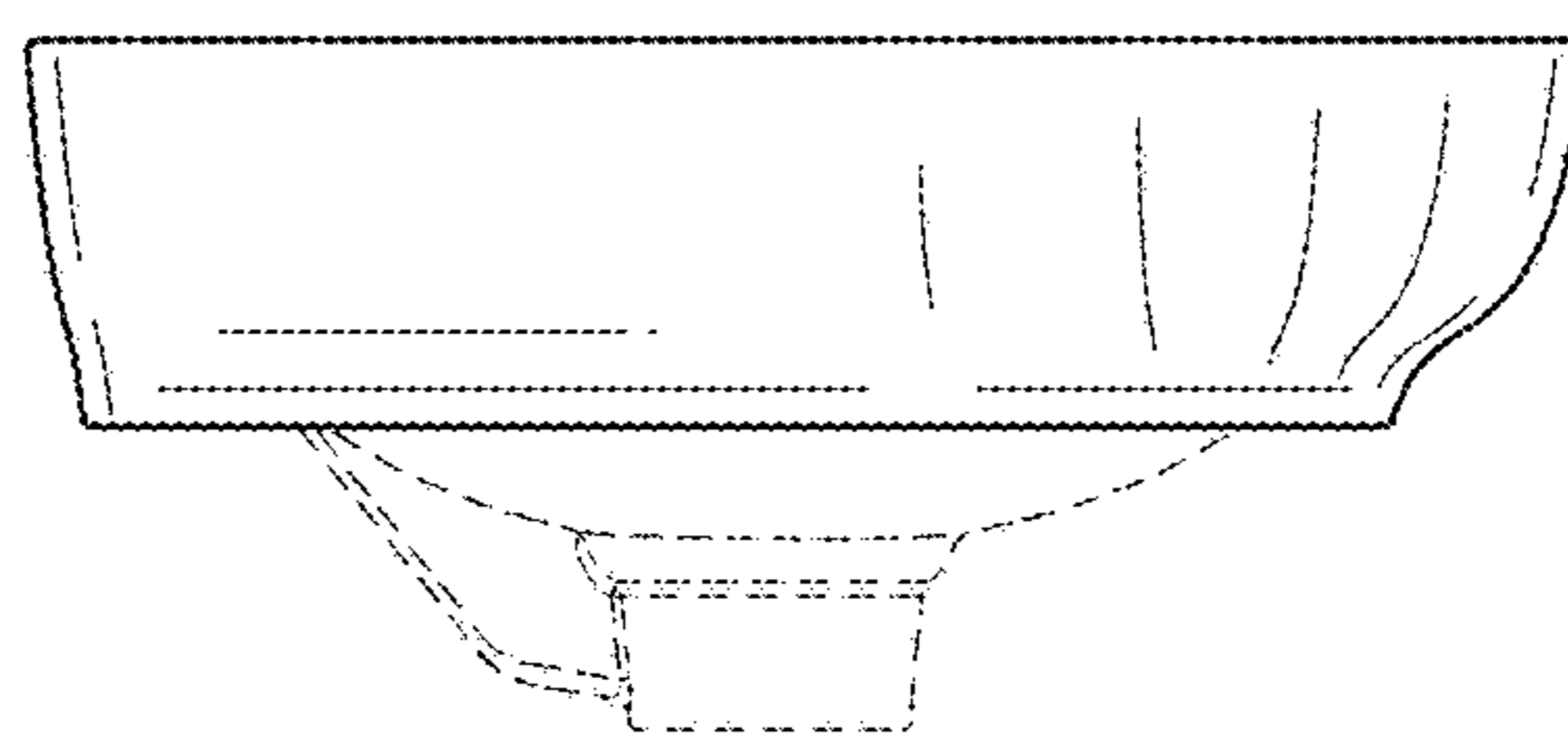


FIG. 7