

US00D864360S

(12) **United States Design Patent** (10) **Patent No.:** **US D864,360 S**
Dallmer (45) **Date of Patent:** **** Oct. 22, 2019**

(54) **DRAIN**

(56) **References Cited**

(71) Applicant: **Dallmer GmbH & Co. KG**, Arnsberg (DE)

(72) Inventor: **Johannes Dallmer**, Arnsberg (DE)

(73) Assignee: **Dallmer GmbH & Co. KG**, Arnsberg (DE)

(**) Term: **15 Years**

(21) Appl. No.: **29/570,825**

(22) Filed: **Jul. 12, 2016**

U.S. PATENT DOCUMENTS

4,598,516	A *	7/1986	Groshong	E04B 2/825 52/241
D339,641	S *	9/1993	Leufstedt	D25/119
D415,412	S *	10/1999	Chavers	D8/403
5,962,809	A *	10/1999	Duvall	H02G 9/06 174/100
D455,851	S *	4/2002	Wareham	D26/28
D472,456	S *	4/2003	Snyder	D8/353
6,932,303	B2 *	8/2005	Snyder	F16L 3/04 248/58
D539,754	S *	4/2007	Makwinski	D13/139.2
D576,106	S *	9/2008	Sayres	D13/155
D576,107	S *	9/2008	Sayres	D13/155
D717,652	S *	11/2014	Rego Garcia de Alba	D9/456

* cited by examiner

Related U.S. Application Data

(62) Division of application No. 29/498,849, filed on Aug. 8, 2014, now Pat. No. Des. 828,521.

Foreign Application Priority Data

Mar. 13, 2014 (EP) EM 002424150

(51) **LOC (12) Cl.** **23-01**

(52) **U.S. Cl.**
USPC **D23/261**

(58) **Field of Classification Search**
USPC D23/259-263, 266-269, 233; 251/215,
251/216

CPC F16L 11/00; F16L 37/252; F16L 41/007;
E03C 1/26; E03C 1/262; E03C 1/28;
E03F 5/04; A61M 25/09016; A61B 5/00

See application file for complete search history.

Primary Examiner — Sandra S Snapp

(74) *Attorney, Agent, or Firm* — Welsh, Flaxman & Gitler LLC

(57) **CLAIM**

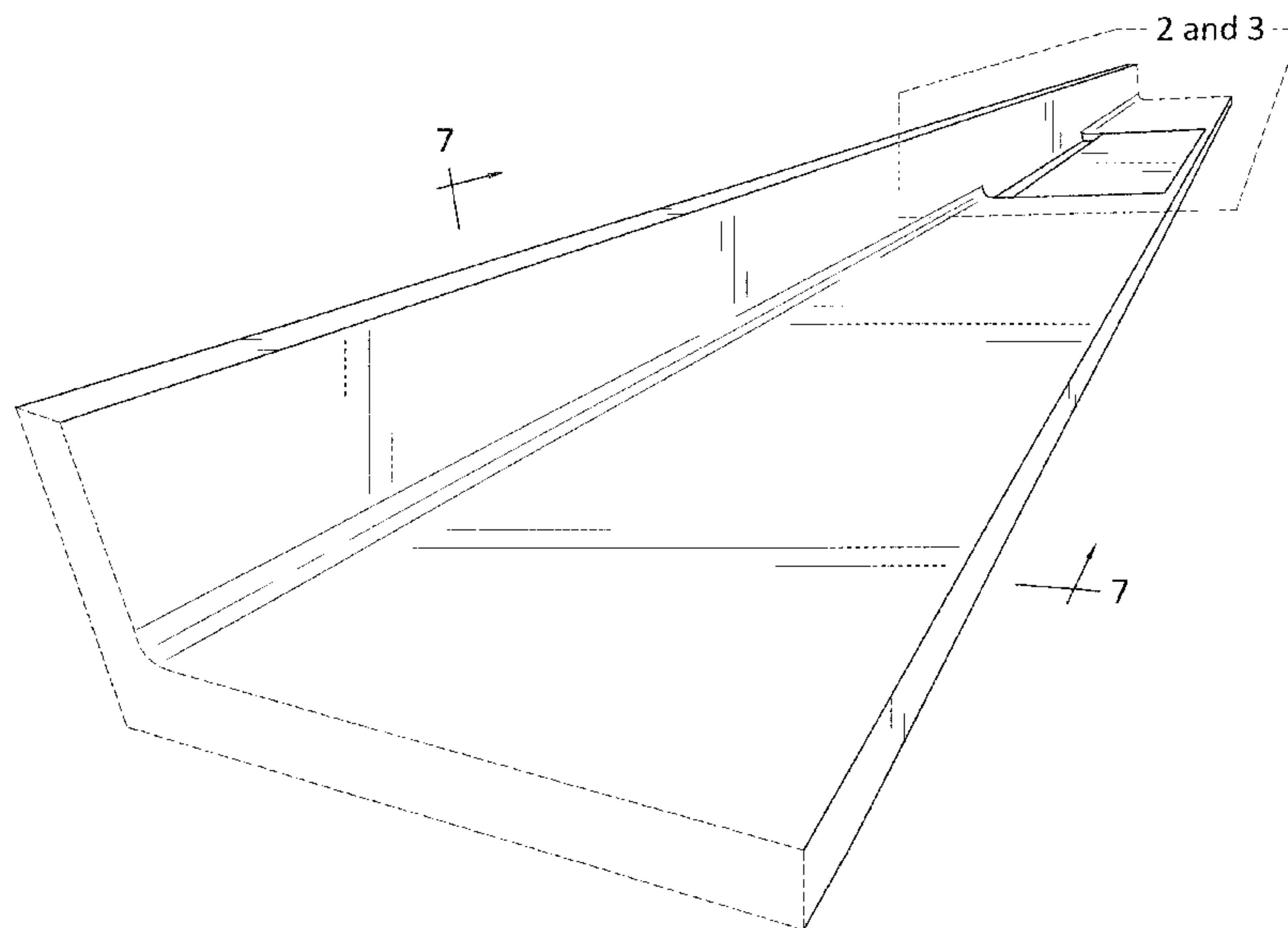
The ornamental design for a drain, as shown and described.

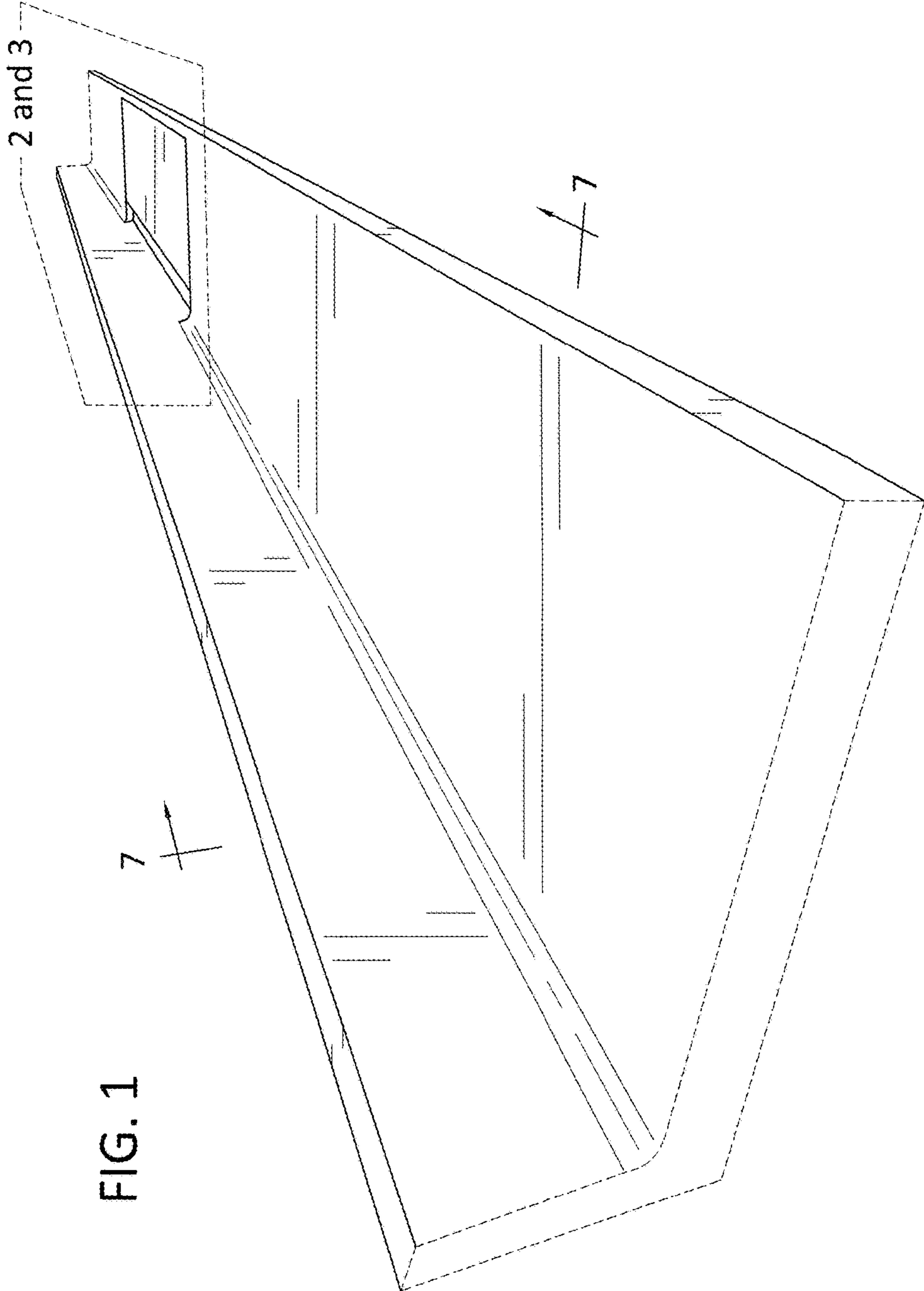
DESCRIPTION

FIG. 1 is a perspective view of a drain;
FIG. 2 is an enlarged perspective view of the drain shown encompassed in box 2 shown in FIG. 1;
FIG. 3 is an enlarged top perspective view of the drain shown encompassed in box 3 shown in FIG. 1; and,
FIG. 4 is a cross sectional view along the section 4-4 in FIG. 1.

The broken lines of the drain are for the purpose of illustrating portions of the article and form no part of the claimed design.

1 Claim, 4 Drawing Sheets





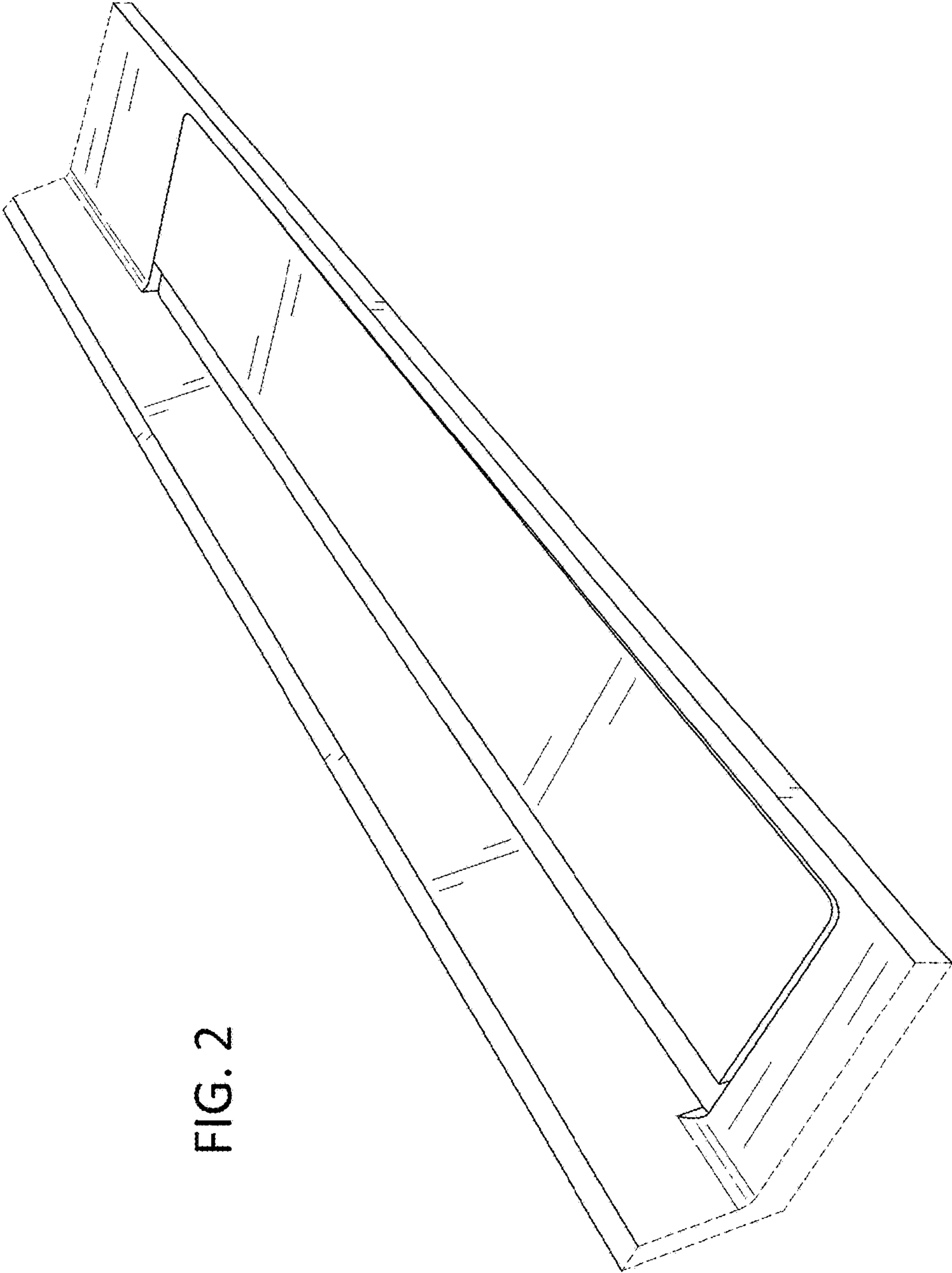


FIG. 2

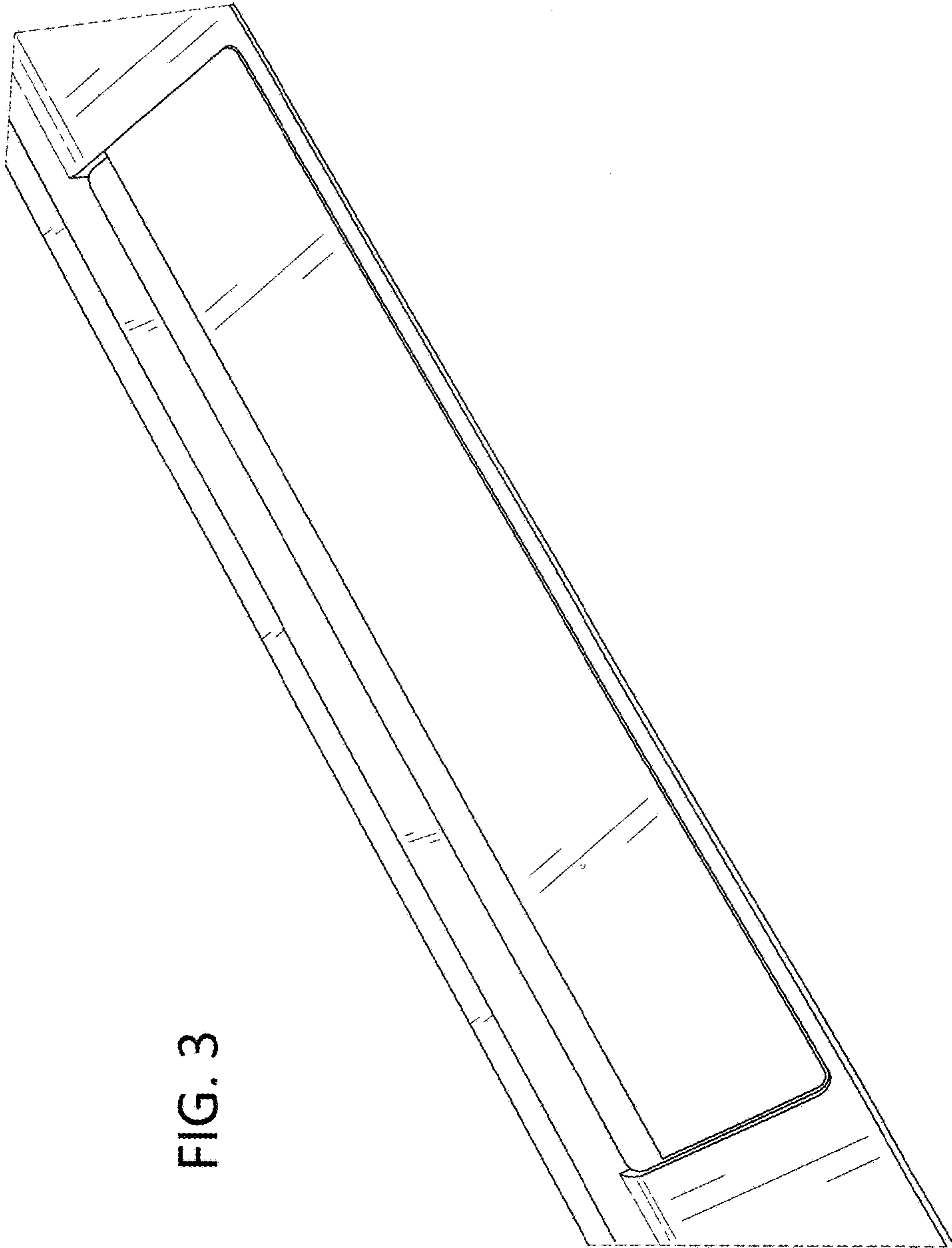


FIG. 3

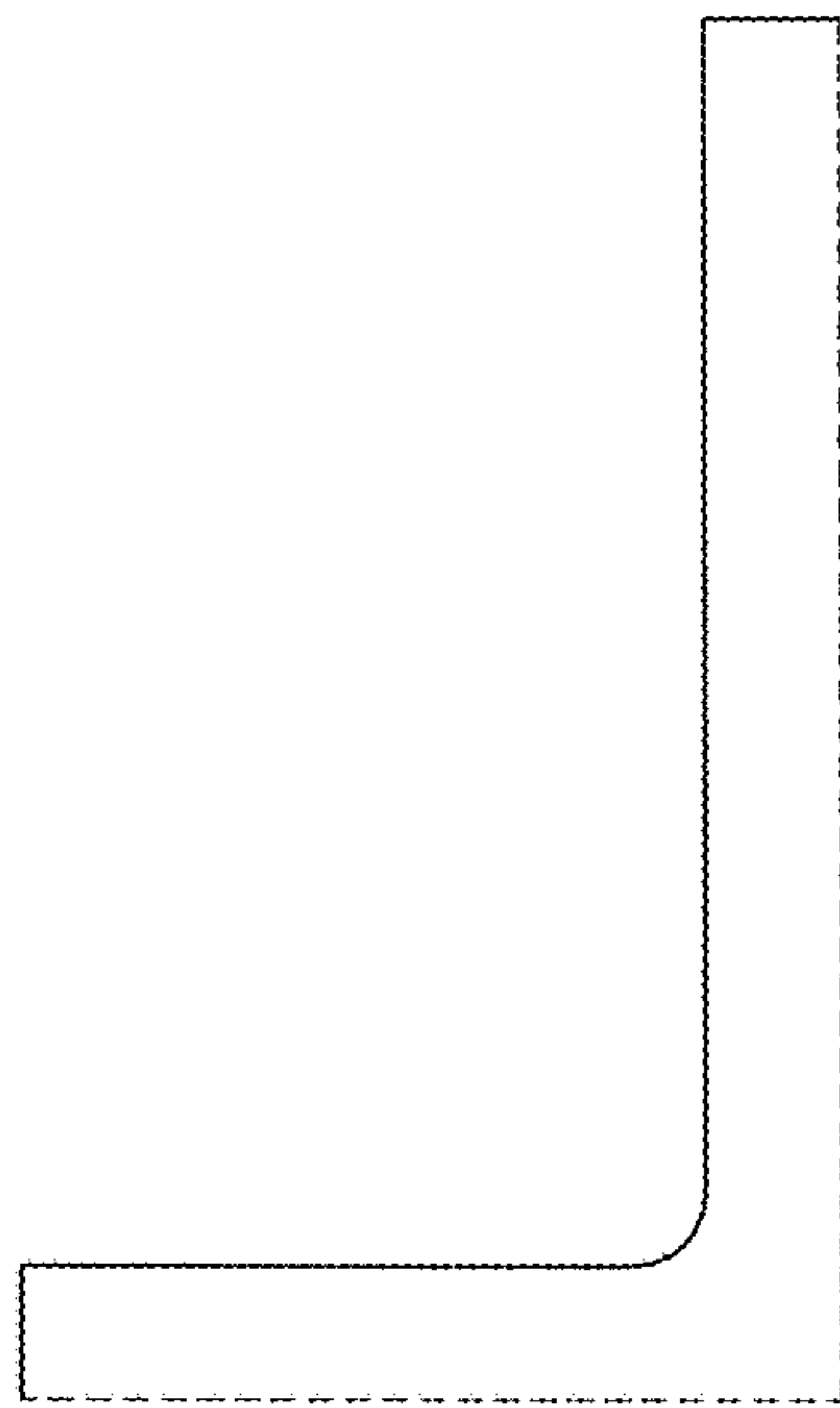


FIG. 4