

US00D864359S

(12) **United States Design Patent**
Dallmer

(10) **Patent No.:** **US D864,359 S**

(45) **Date of Patent:** **** Oct. 22, 2019**

(54) **DRAIN**

(71) Applicant: **Dallmer GmbH & Co. KG**, Arnsberg (DE)

(72) Inventor: **Johannes Dallmer**, Arnsberg (DE)

(73) Assignee: **Dallmeier GmbH & Co. KG**, Arnsberg (DE)

(**) Term: **15 Years**

(21) Appl. No.: **29/570,823**

(22) Filed: **Jul. 12, 2016**

Related U.S. Application Data

(62) Division of application No. 29/498,849, filed on Aug. 8, 2014, now Pat. No. Des. 828,521.

(30) **Foreign Application Priority Data**

Mar. 13, 2014 (EP) 002424150

(51) **LOC (12) Cl.** **23-01**

(52) **U.S. Cl.**
USPC **D23/261**

(58) **Field of Classification Search**
USPC D23/259-263, 266-269, 233; 251/215, 251/216

CPC F16L 11/00; F16L 37/252; F16L 41/007; E03C 1/26; E03C 1/262; E03C 1/28; E03F 5/04; A61B 5/00; A61M 25/09016

See application file for complete search history.

(56) **References Cited**

U.S. PATENT DOCUMENTS

4,598,516 A * 7/1986 Groshong E04B 2/825 52/241
D339,641 S * 9/1993 Leufstedt D25/119

D415,412 S * 10/1999 Chavers D8/403
5,962,809 A * 10/1999 Duvall H02G 9/06 174/100
D455,851 S * 4/2002 Wareham D26/28
D472,456 S * 4/2003 Snyder D8/353
6,932,303 B2 * 8/2005 Snyder F16L 3/04 248/58
D539,754 S * 4/2007 Makwinski D13/139.2
D576,106 S * 9/2008 Sayres D13/155
D576,107 S * 9/2008 Sayres D13/155
D717,652 S * 11/2014 Rego Garcia de Alba D9/456

* cited by examiner

Primary Examiner — Sandra S Snapp

(74) *Attorney, Agent, or Firm* — Welsh, Flaxman & Gitler LLC

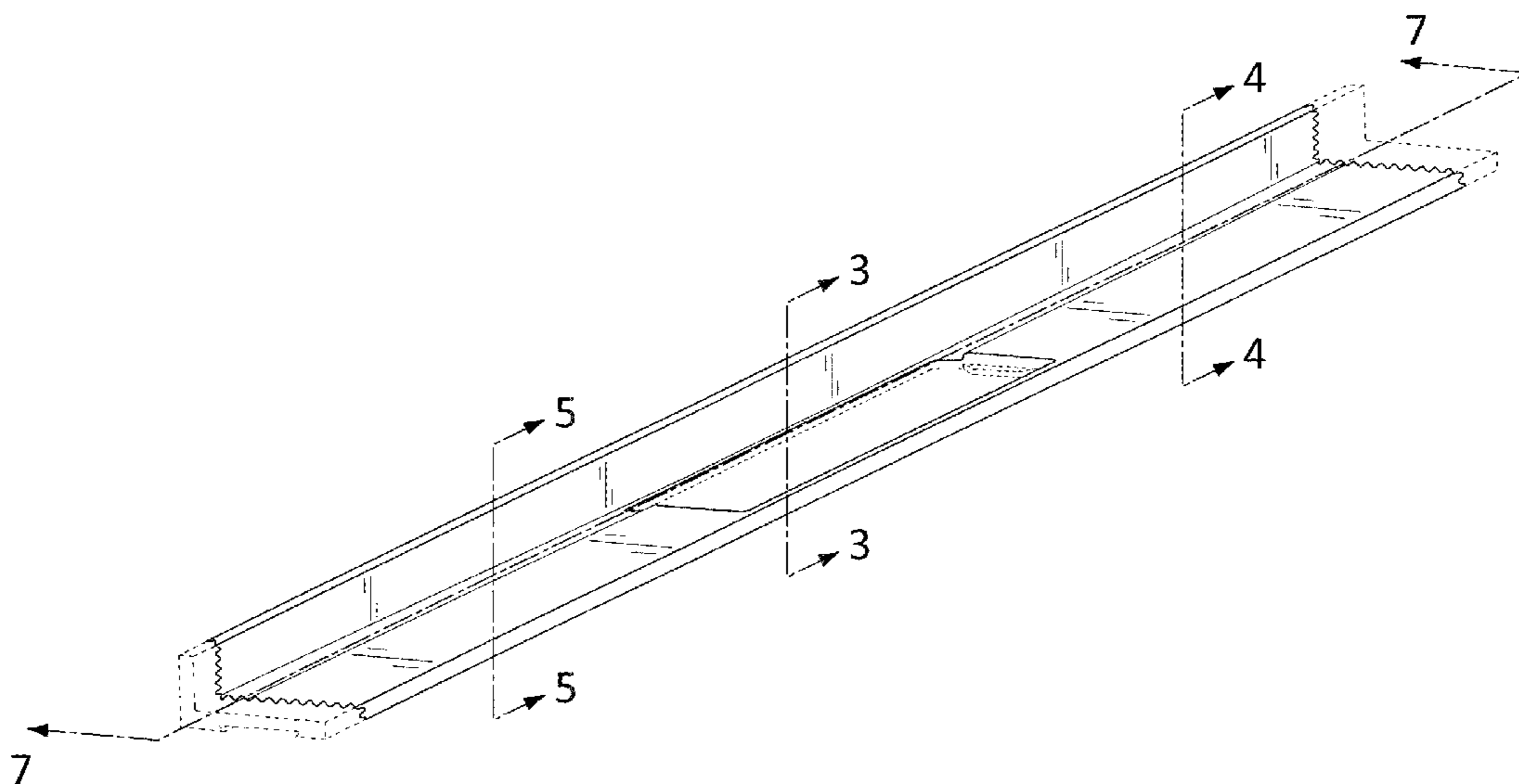
(57) **CLAIM**

The ornamental design for a drain, as shown and described.

DESCRIPTION

FIG. 1 is a top plan view of a drain;
FIG. 2 is a perspective view of the drain shown in FIG. 1;
FIG. 3 is a cross-sectional view of the drain taken along line 3-3 in FIG. 2;
FIG. 4 is a cross-sectional view of the drain taken along line 4-4 in FIG. 2;
FIG. 5 is a cross-sectional view of the drain taken along line 5-5 in FIG. 2;
FIG. 6 is a front elevation view of the drain shown in FIG. 1;
FIG. 7 is a cross-sectional view of the drain taken along line 7-7 in FIG. 2;
FIG. 8 is an enlarged detail view encompassed in box 8 shown in FIG. 7; and,
FIG. 9 is an enlarged detail view encompassed in box 8 shown in FIG. 7.

1 Claim, 9 Drawing Sheets



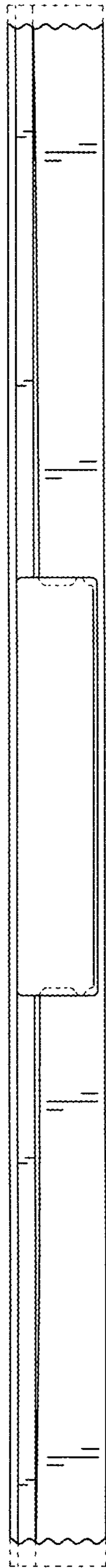


FIG. 1

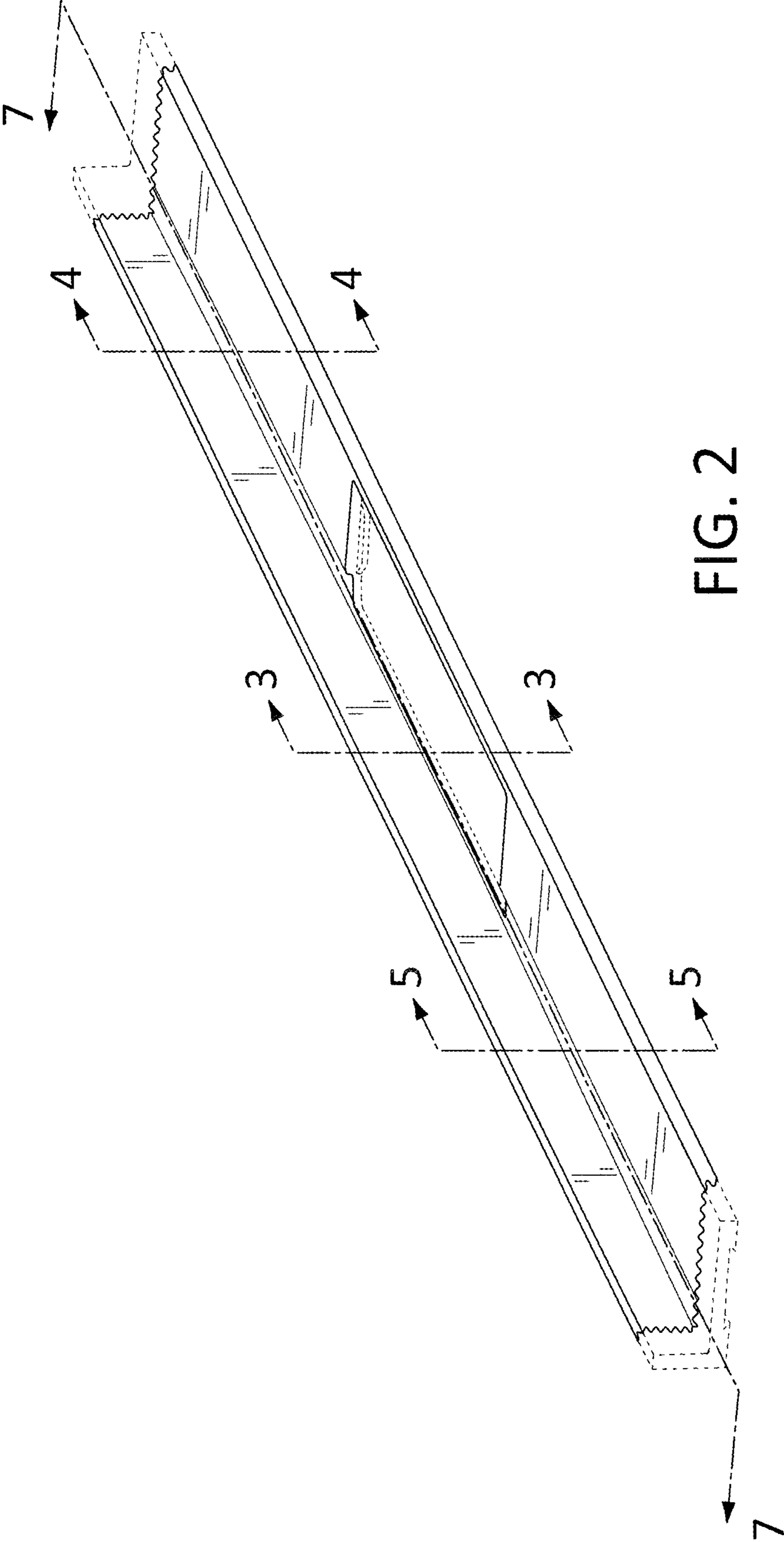


FIG. 2

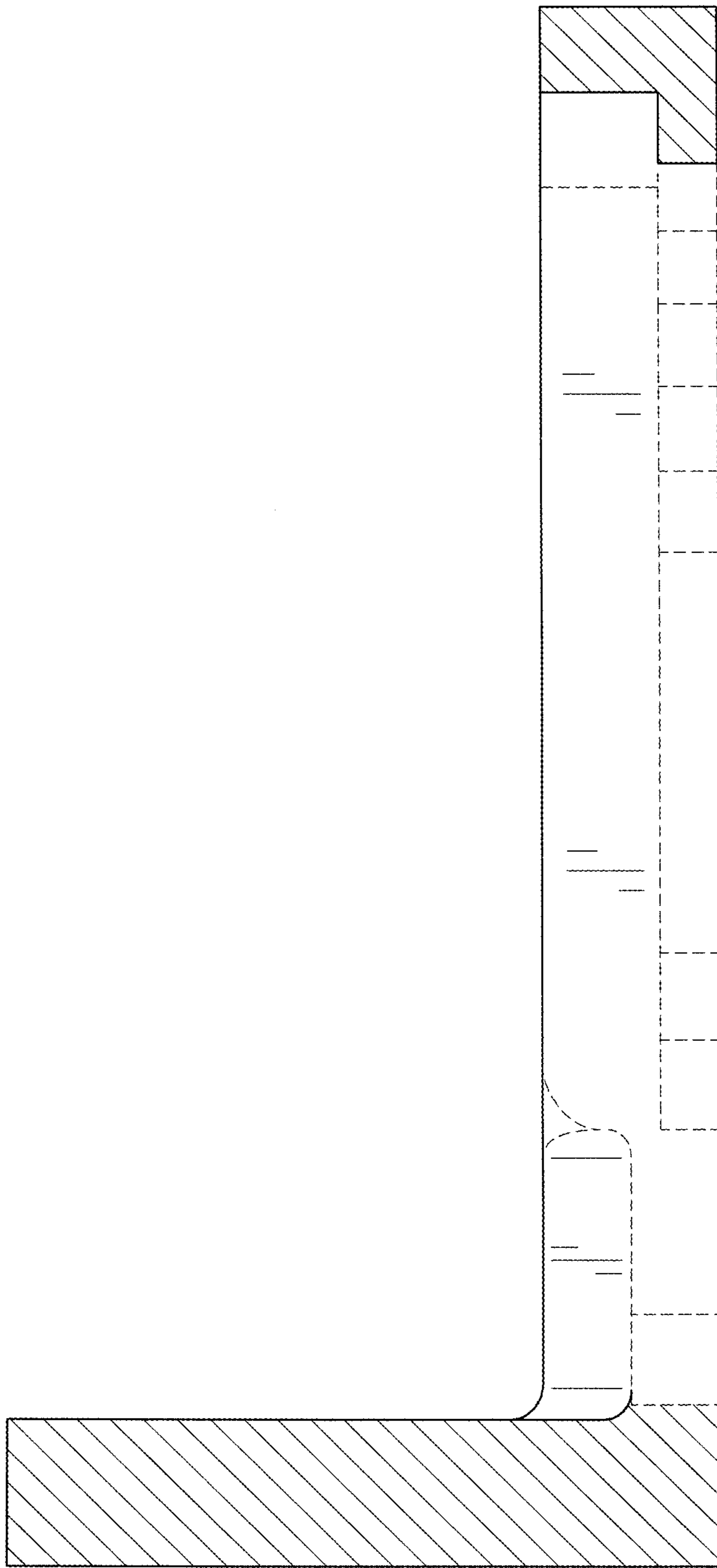


FIG. 3

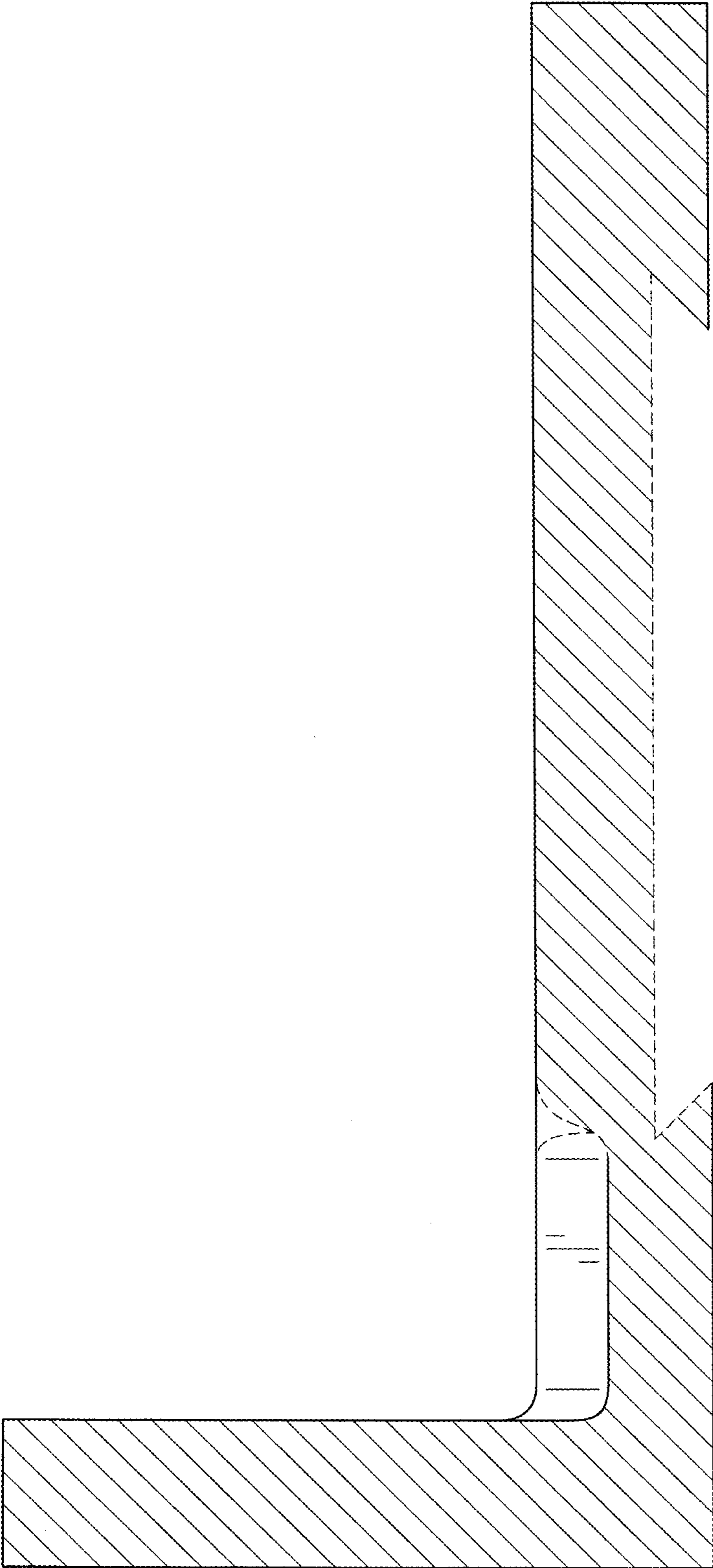


FIG. 4

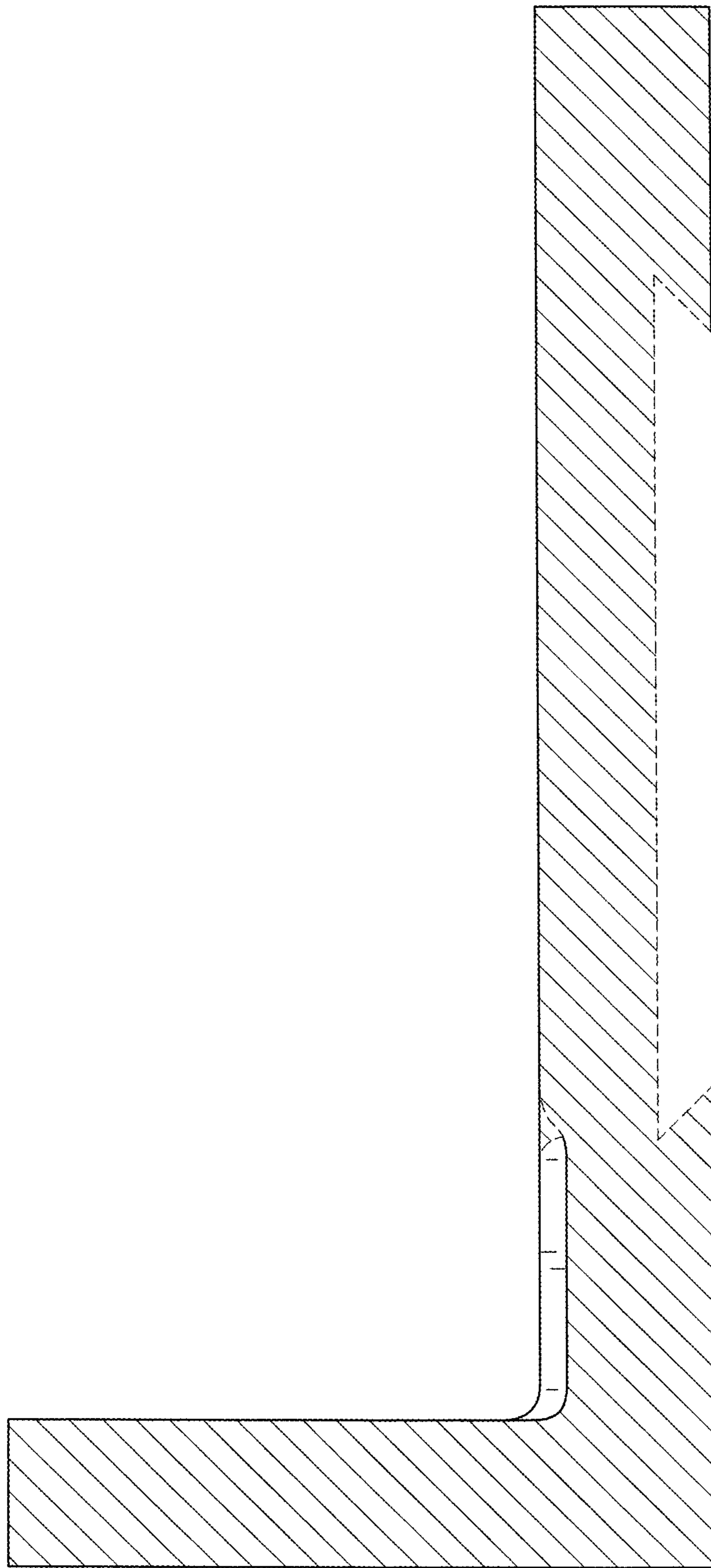


FIG. 5



FIG. 6

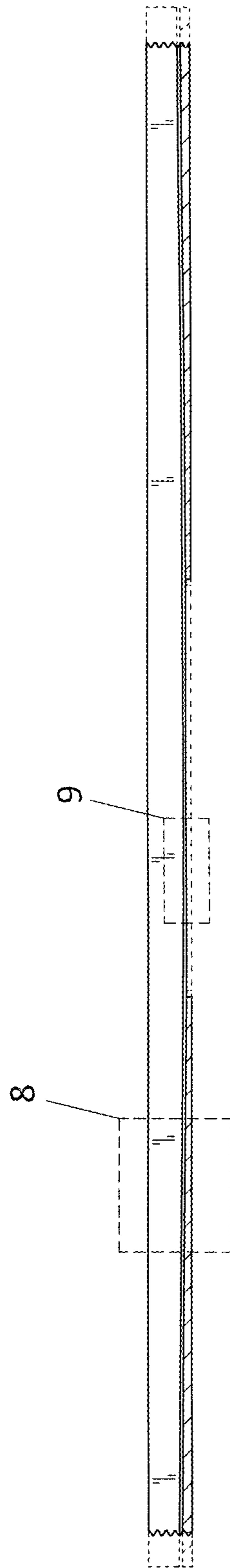


FIG. 7

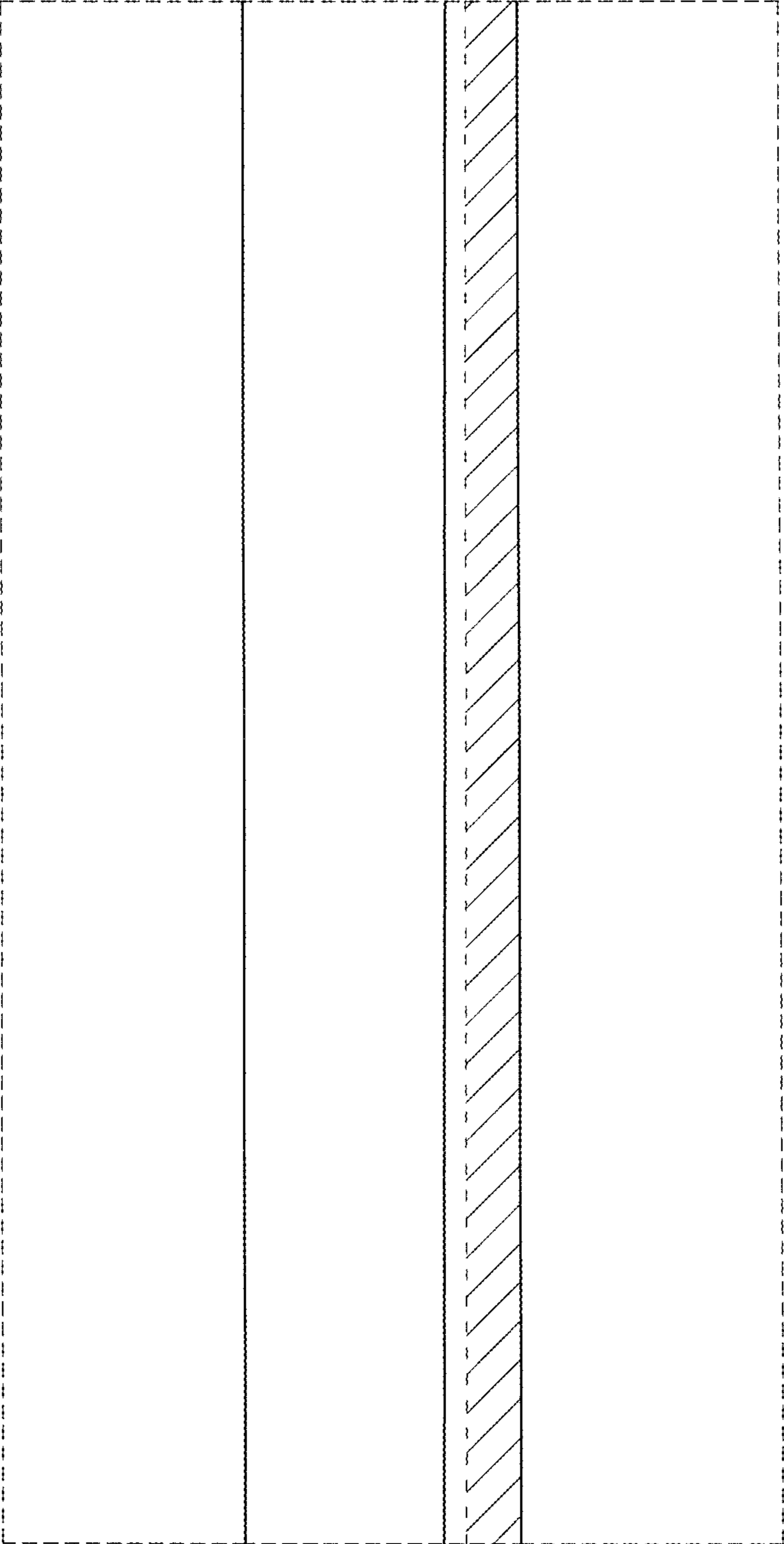


FIG. 8

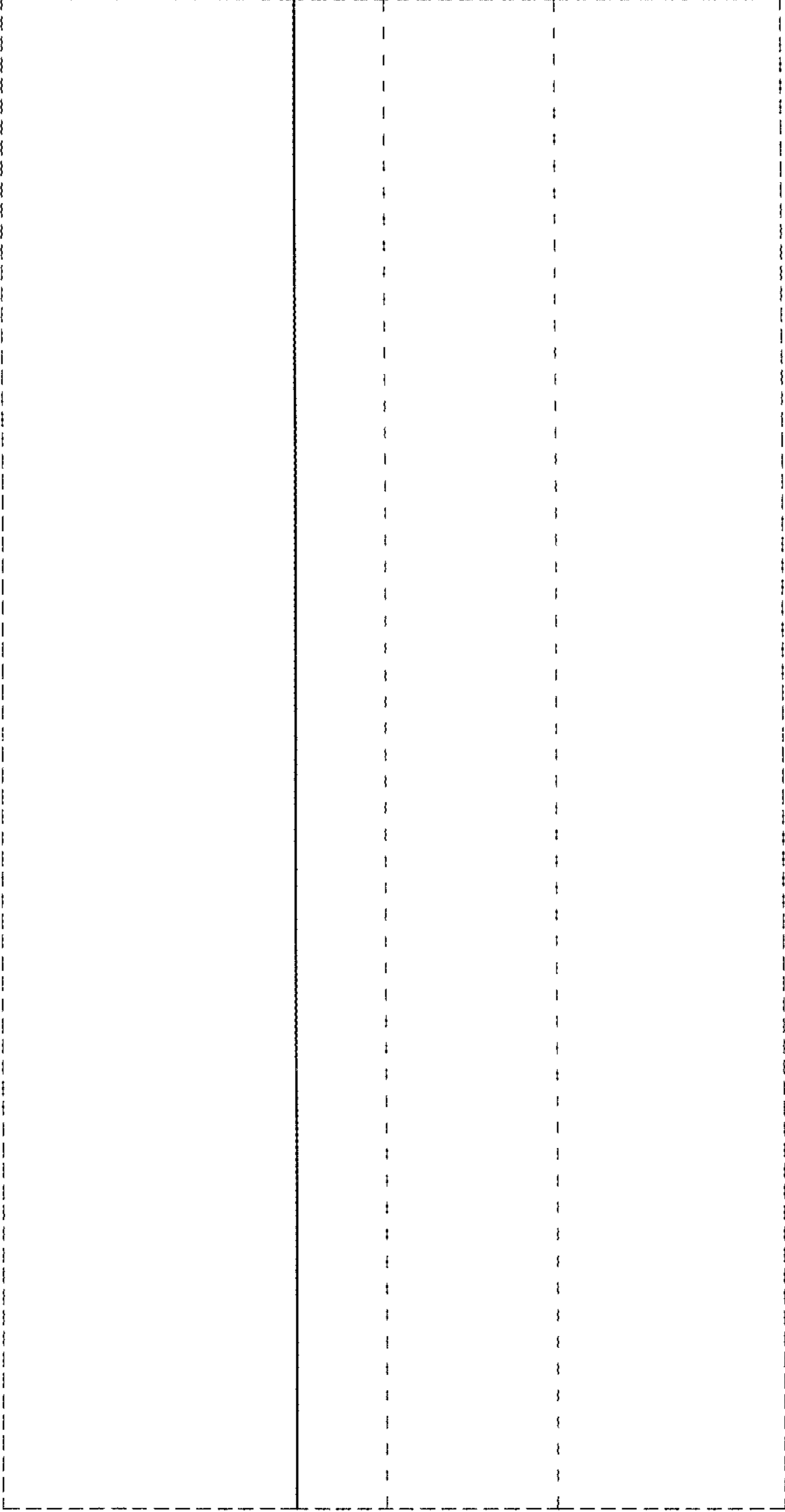


FIG. 9