



US00D864358S

(12) **United States Design Patent**
Vish

(10) **Patent No.:** **US D864,358 S**

(45) **Date of Patent:** **** Oct. 22, 2019**

(54) **FAUCET**

(71) Applicant: **Sloan Valve Company**, Franklin Park, IL (US)

(72) Inventor: **Ronald J. Vish**, West Roxbury, MA (US)

(73) Assignee: **Sloan Valve Company**, Franklin Park, IL (US)

(**) Term: **15 Years**

(21) Appl. No.: **29/635,632**

(22) Filed: **Feb. 1, 2018**

(51) **LOC (12) Cl.** **23-01**

(52) **U.S. Cl.**
USPC **D23/255**

(58) **Field of Classification Search**
USPC D23/238-243, 249, 255, 257; D9/434, D9/447, 454, 523, 417, 398
See application file for complete search history.

(56) **References Cited**

U.S. PATENT DOCUMENTS

D260,809 S * 9/1981 Fleischmann D23/229
D271,706 S * 12/1983 Fabian D23/255

D314,514 S * 2/1991 Ten Eyck D9/435
D336,044 S * 6/1993 Miller D9/434
D422,684 S * 4/2000 Gottwald D23/255
D460,358 S * 7/2002 Ciolino D9/447
D468,205 S * 1/2003 Pierce D9/440
D580,519 S * 11/2008 Citterio D23/238
D585,965 S * 2/2009 Kohler, Jr. D23/255
D604,609 S * 11/2009 Barker D9/447

* cited by examiner

Primary Examiner — Robert A Delehanty

(74) *Attorney, Agent, or Firm* — Banner & Witcoff, Ltd.

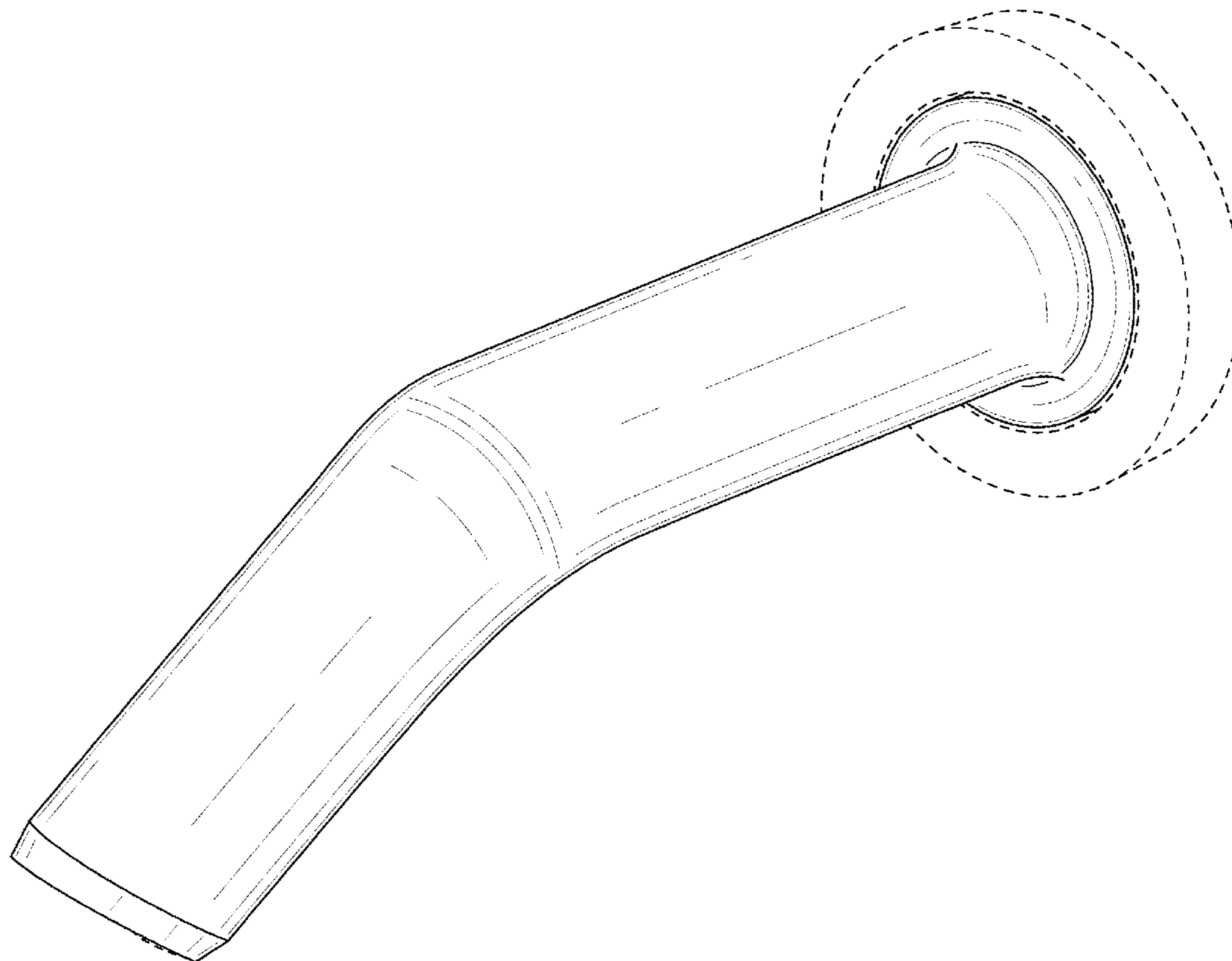
(57) **CLAIM**

The ornamental design for a faucet, as shown and described.

DESCRIPTION

FIG. 1 is a top, front, right perspective view of a faucet showing my new design;
FIG. 2 is a right side view thereof;
FIG. 3 is a left side view thereof;
FIG. 4 is a top view thereof;
FIG. 5 is a bottom view thereof;
FIG. 6 is a front view thereof; and,
FIG. 7 is a rear view thereof.
The broken lines depicting the remainder of the faucet show features that form no part of the claimed design.

1 Claim, 7 Drawing Sheets



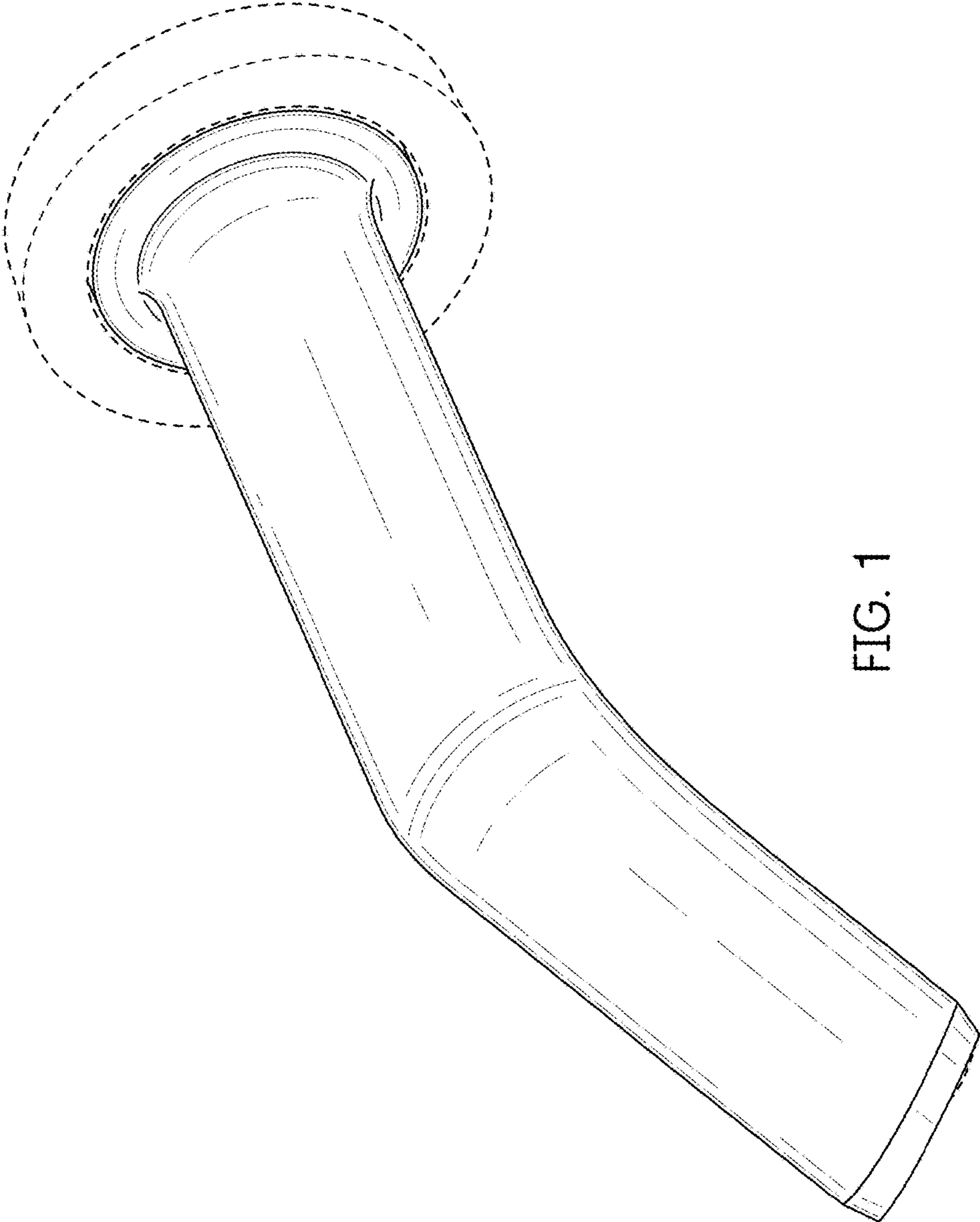


FIG. 1



FIG. 2

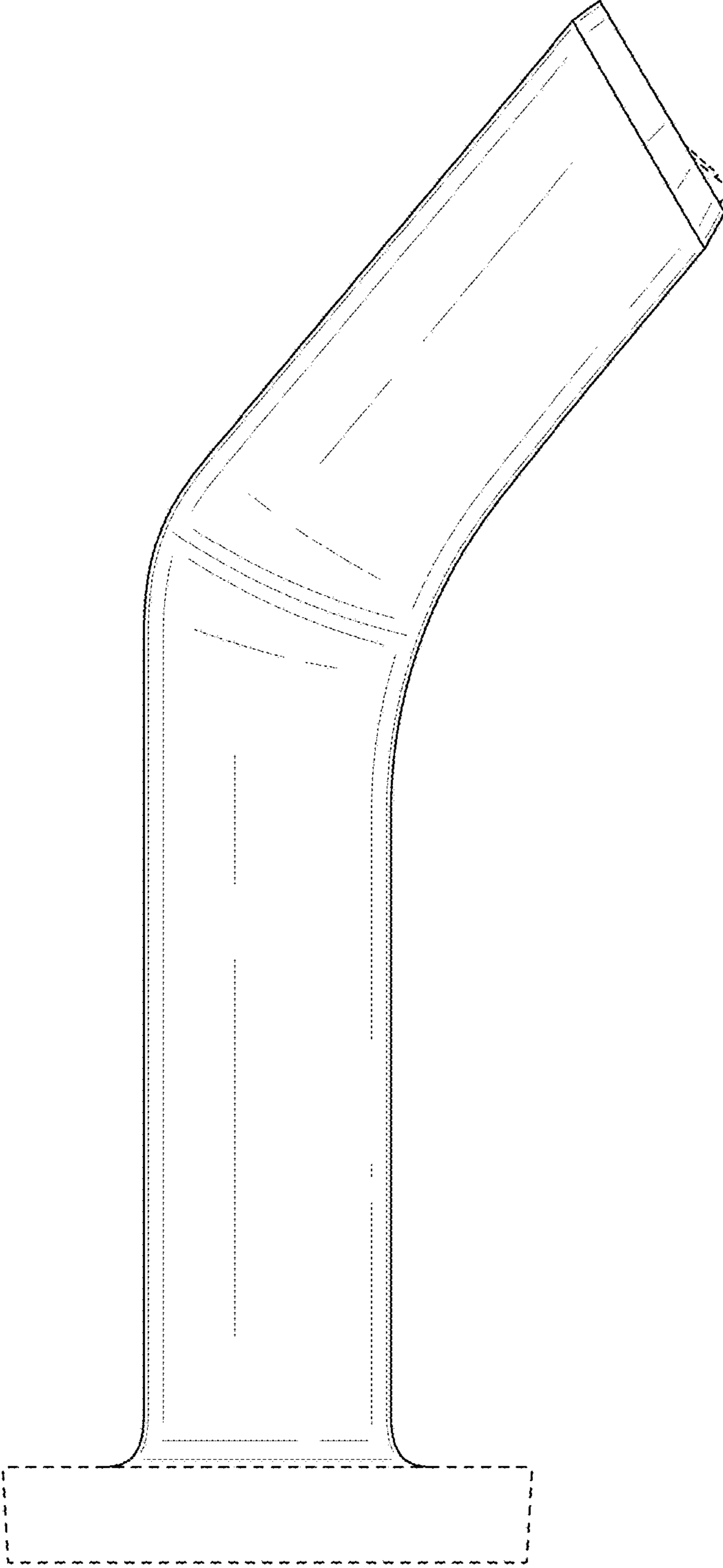


FIG. 3

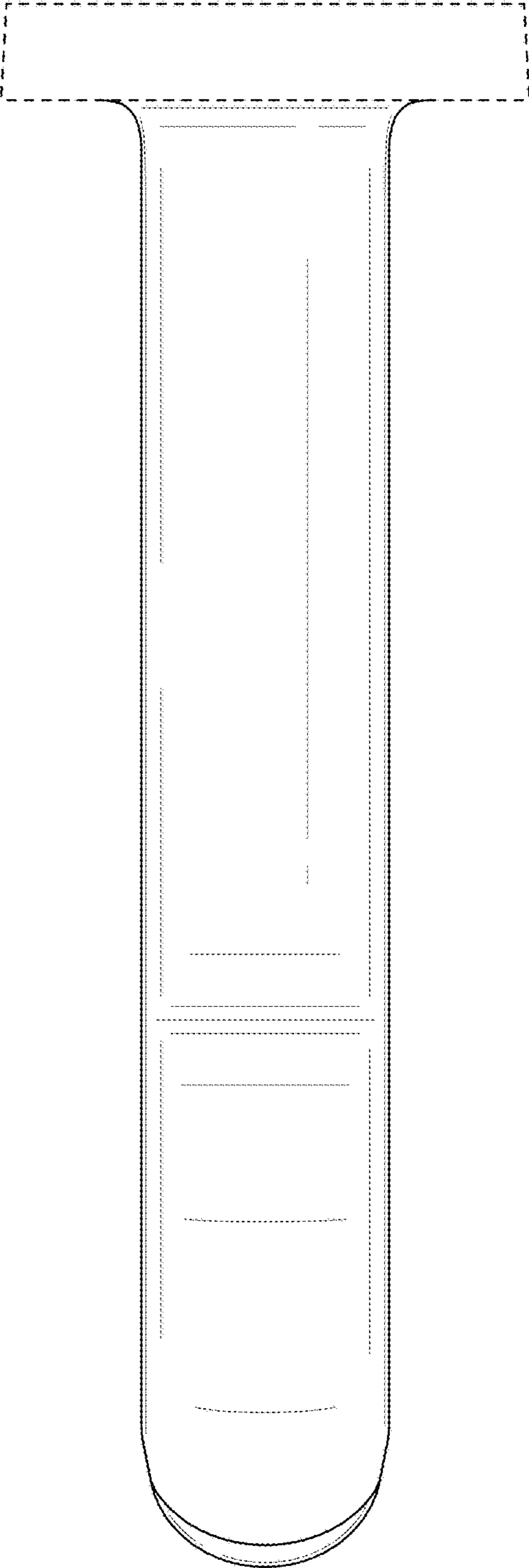


FIG. 4

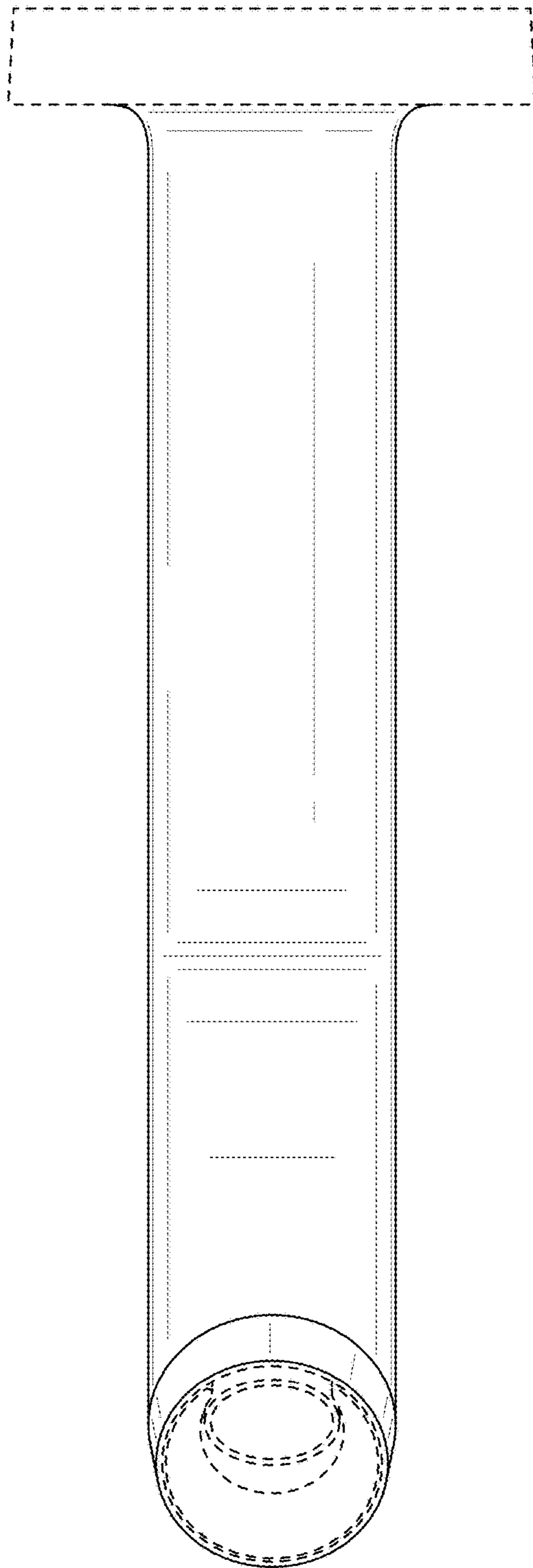


FIG. 5

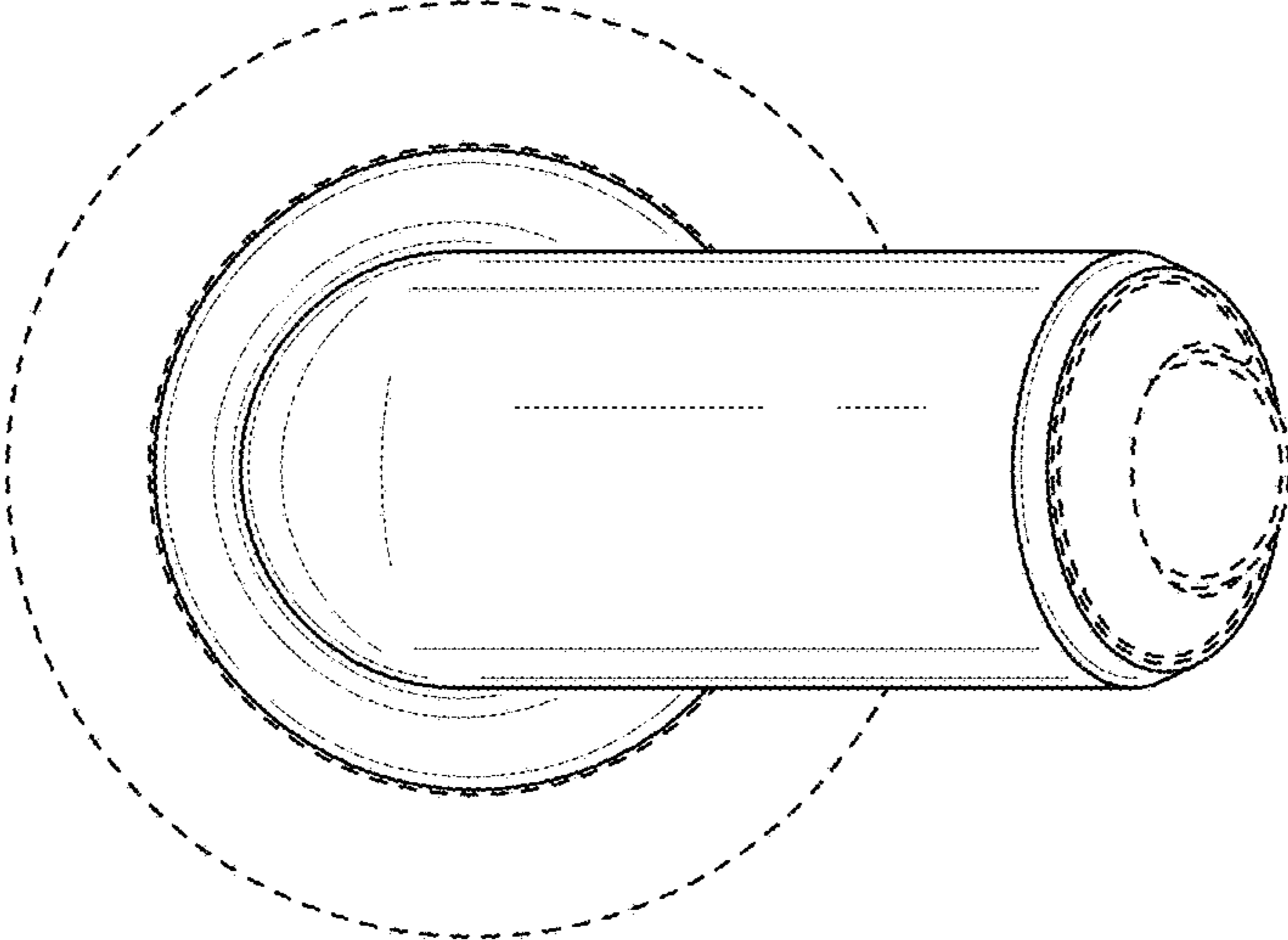


FIG. 6

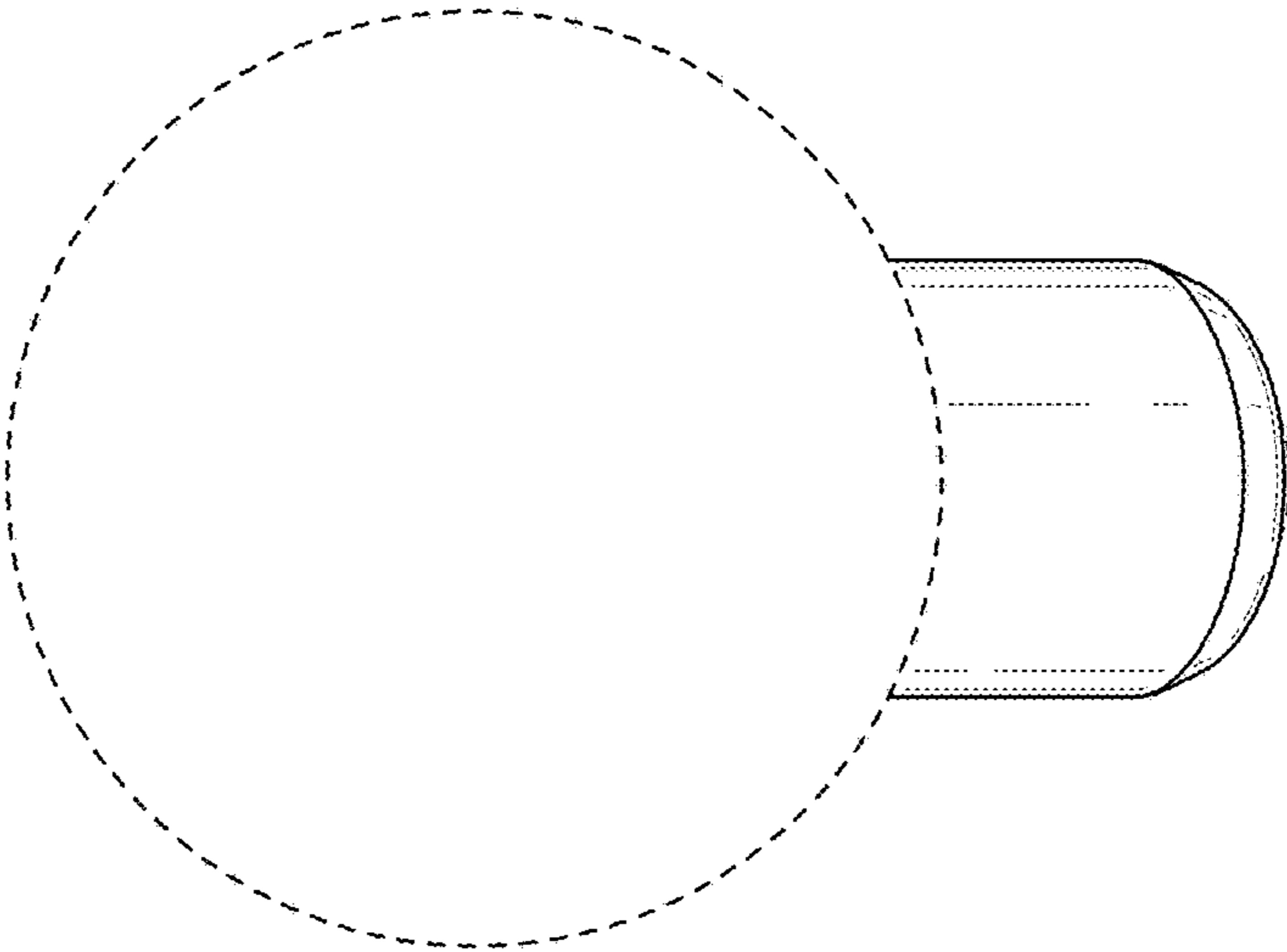


FIG. 7