



US00D864357S

(12) **United States Design Patent** (10) **Patent No.:** **US D864,357 S**
Aguilera (45) **Date of Patent:** **** Oct. 22, 2019**

(54) **FAUCET BASE PLATE**

(71) Applicant: **Ray Aguilera**, McAllen, TX (US)

(72) Inventor: **Ray Aguilera**, McAllen, TX (US)

(**) Term: **15 Years**

(21) Appl. No.: **29/621,890**

(22) Filed: **Oct. 12, 2017**

(51) **LOC (12) Cl.** **23-01**

(52) **U.S. Cl.**
USPC **D23/249**

(58) **Field of Classification Search**
USPC D23/238, 241–242, 249, 254–257,
D23/259–261, 303, 308; 4/675–678,
4/695–696; 137/801
See application file for complete search history.

(56) **References Cited**

U.S. PATENT DOCUMENTS

D360,679	S	*	7/1995	Doughty	D23/241
5,725,008	A	*	3/1998	Johnson	E03C 1/0401 137/15.02
D426,874	S	*	6/2000	Warshawsky	D23/241
D478,154	S	*	8/2003	Ouyoung	D23/249
D492,012	S	*	6/2004	Lin	D23/249
D509,566	S	*	9/2005	Yegyayan	D23/249
D521,114	S	*	5/2006	Kennard	D23/249
D522,094	S	*	5/2006	Koury	D23/249
7,039,966	B1	*	5/2006	Cranston, Jr.	E03C 1/0401 4/695
D523,113	S	*	6/2006	Koury	D23/249
D565,704	S	*	4/2008	Yang	D23/249
D648,827	S	*	11/2011	Ke	D23/249
10,287,757	B1	*	5/2019	Saied	E03C 1/0401

OTHER PUBLICATIONS

Axor Mounting Plate, <https://www.chown.com/Portland-Bellevue-Showrooms-/Axor-39449001-Escutcheons-And-Deck-Plate-Faucet-Part.HTM> (Year: 2019).*

* cited by examiner

Primary Examiner — Eric L Goodman

Assistant Examiner — Amy C Wierenga

(74) *Attorney, Agent, or Firm* — Dunlap Bennett & Ludwig PLLC

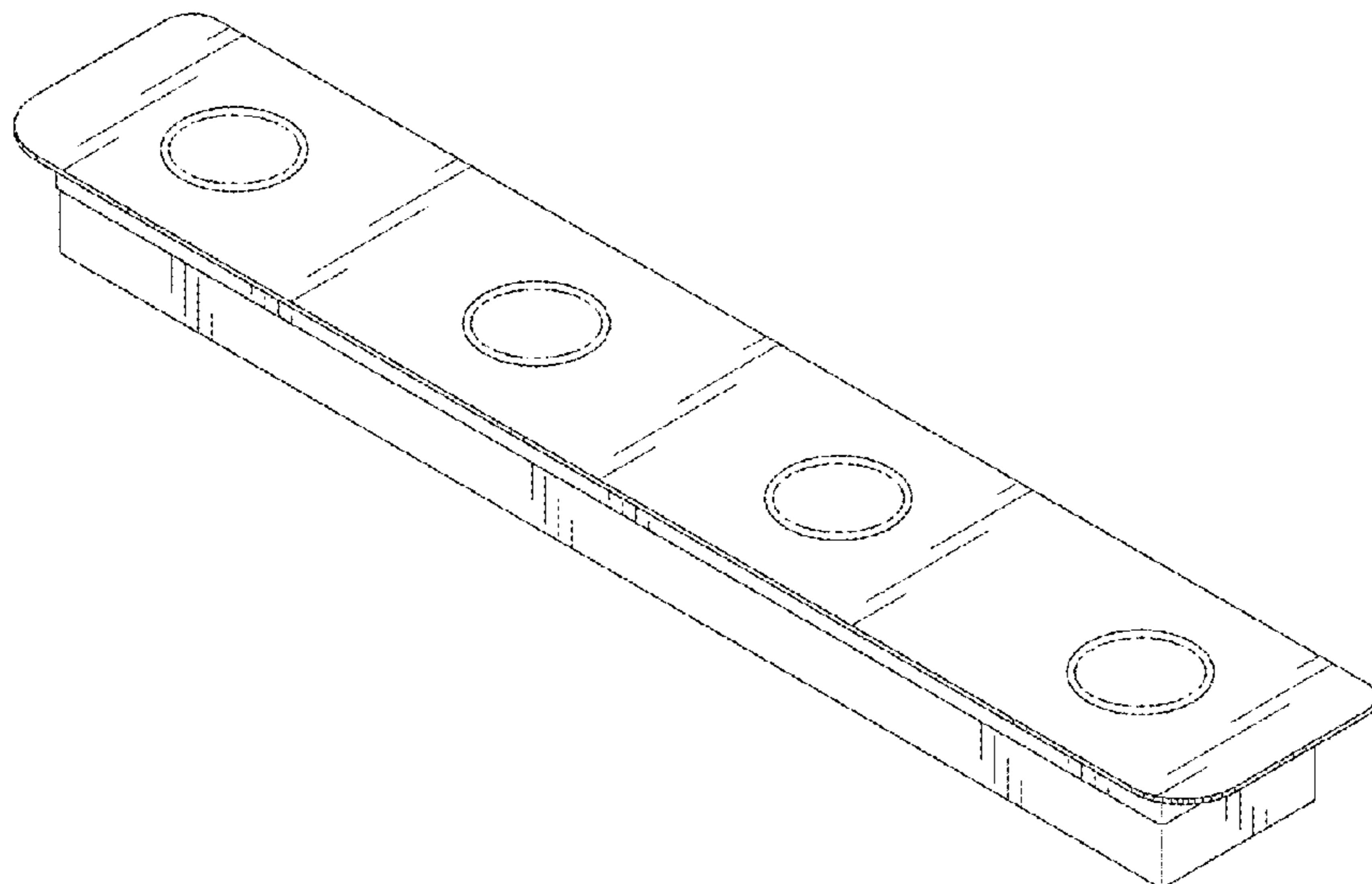
(57) **CLAIM**

The ornamental design for a faucet base plate, as shown and described.

DESCRIPTION

FIG. 1 is a top perspective view of a faucet base plate, showing my new design;
FIG. 2 is a bottom perspective view thereof;
FIG. 3 is a front elevation view thereof;
FIG. 4 is a rear elevation view thereof;
FIG. 5 is a right-side elevation view thereof, the left-side elevation being a mirror image thereof;
FIG. 6 is a top plan view thereof;
FIG. 7 is a bottom plan view thereof; and,
FIG. 8 is a perspective view showing the faucet base plate in use.
The broken lines consisting of evenly spaced lines in the drawings depict environmental subject matter that forms no part of the claimed design, while the broken lines consisting of dash-dot-dash lines in the drawings depict the boundary of the claimed invention and it is understood that the claim extends to the boundary that forms no part of the claimed design.

1 Claim, 3 Drawing Sheets



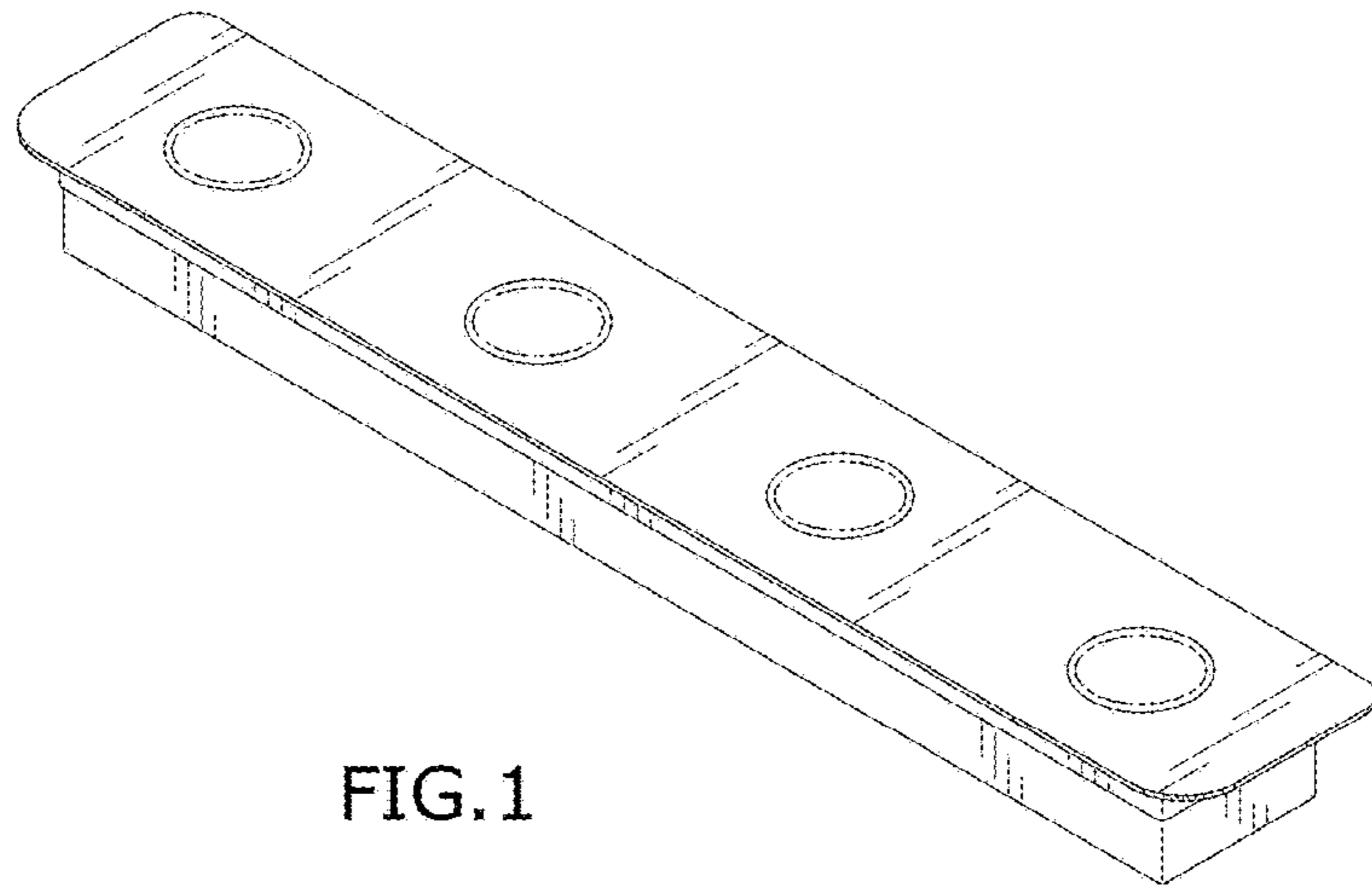


FIG. 1

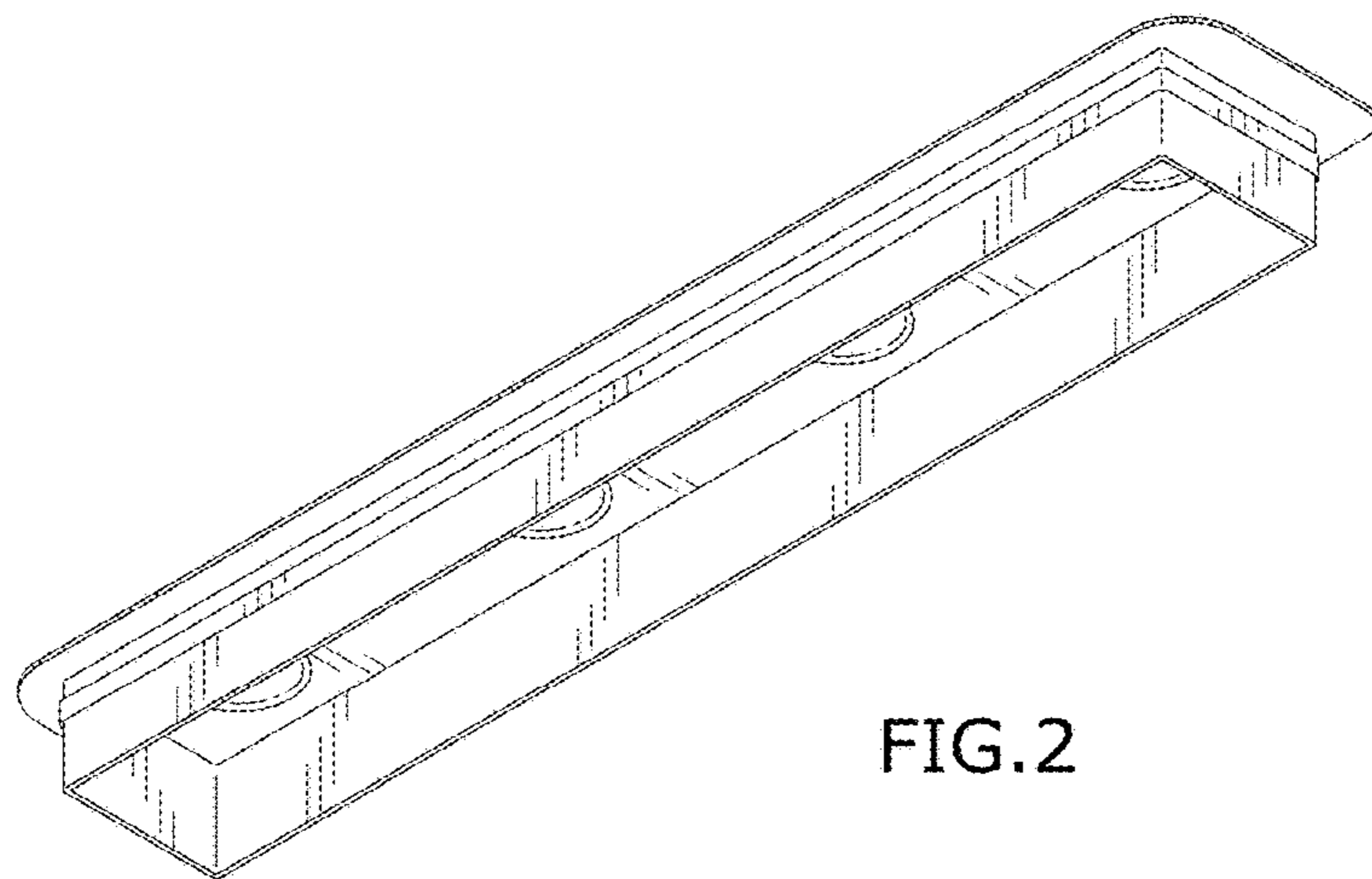


FIG. 2

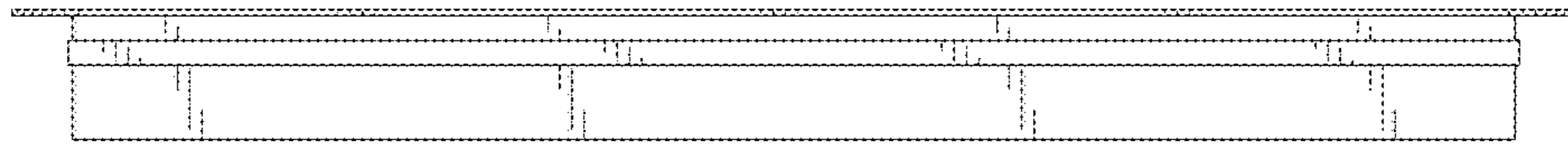


FIG. 3

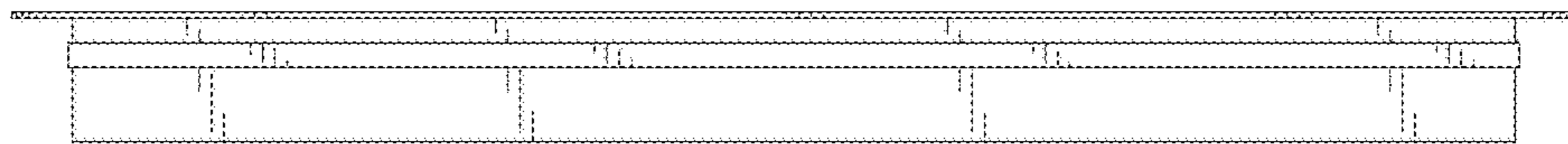


FIG. 4

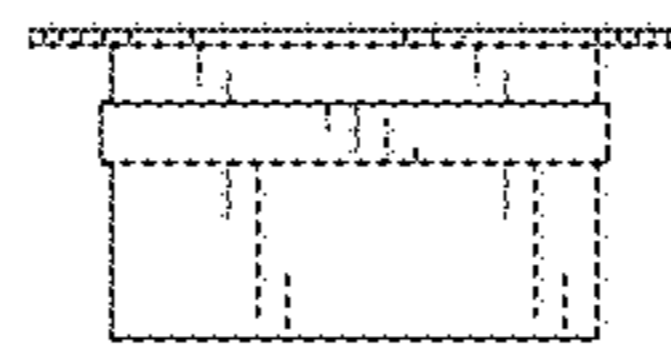


FIG. 5

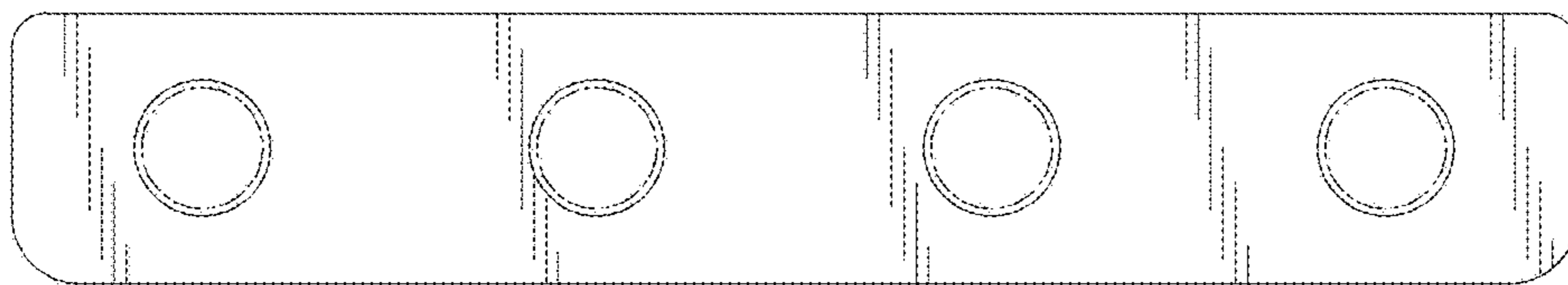


FIG. 6

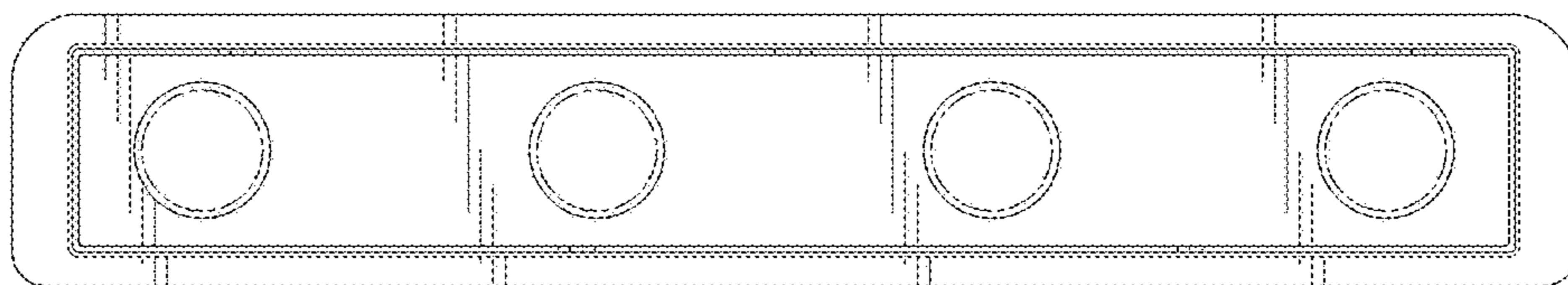


FIG. 7

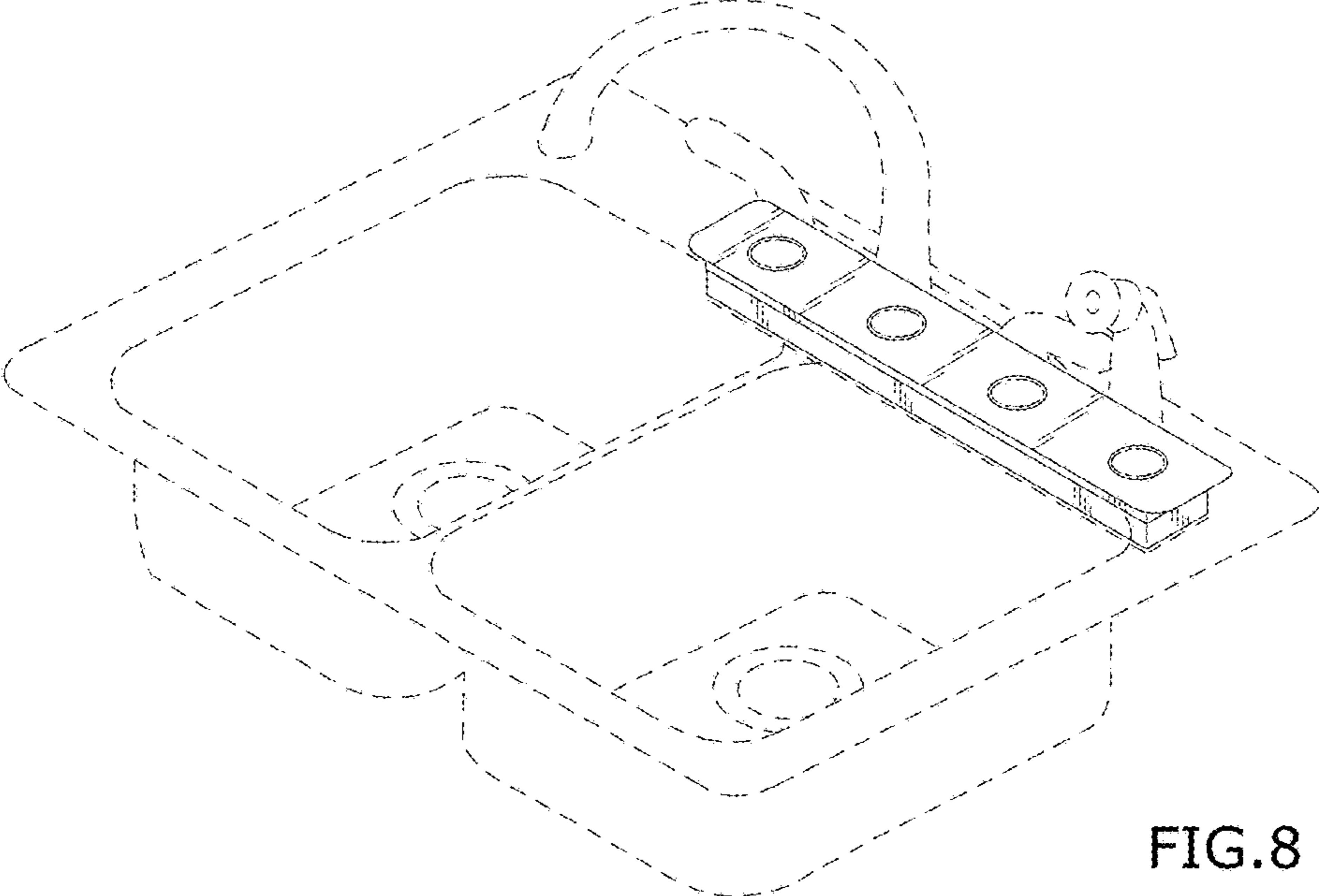


FIG. 8