



US00D864356S

(12) **United States Design Patent**  
**Zhang**

(10) **Patent No.:** **US D864,356 S**

(45) **Date of Patent:** **\*\* Oct. 22, 2019**

(54) **FAUCET**

(71) Applicant: **Xinrui Zhang**, Kaiping (CN)

(72) Inventor: **Xinrui Zhang**, Kaiping (CN)

(\*\*) Term: **15 Years**

(21) Appl. No.: **29/671,103**

(22) Filed: **Nov. 22, 2018**

(51) **LOC (12) Cl.** ..... **23-01**

(52) **U.S. Cl.**  
USPC ..... **D23/238**

(58) **Field of Classification Search**  
USPC ..... D23/238–243, 255, 257, 249–250, 252,  
D23/254; D8/307–308  
CPC .... F16K 31/602; F16K 31/605; F16K 31/607;  
E03C 1/0412

See application file for complete search history.

(56) **References Cited**

**U.S. PATENT DOCUMENTS**

D528,189 S *	9/2006	Kulig .....	D23/238
D535,358 S *	1/2007	Demmer .....	D23/238
D564,074 S *	3/2008	Zhang .....	D23/238
D605,260 S *	12/2009	Allard .....	D23/255

D698,902 S *	2/2014	Gilbert .....	D23/249
D698,903 S *	2/2014	Gilbert .....	D23/249
D733,259 S *	6/2015	Flowers .....	D23/238

\* cited by examiner

*Primary Examiner* — Robert A Delehanty

(74) *Attorney, Agent, or Firm* — KA Filing LLC; Wayne V. Harper

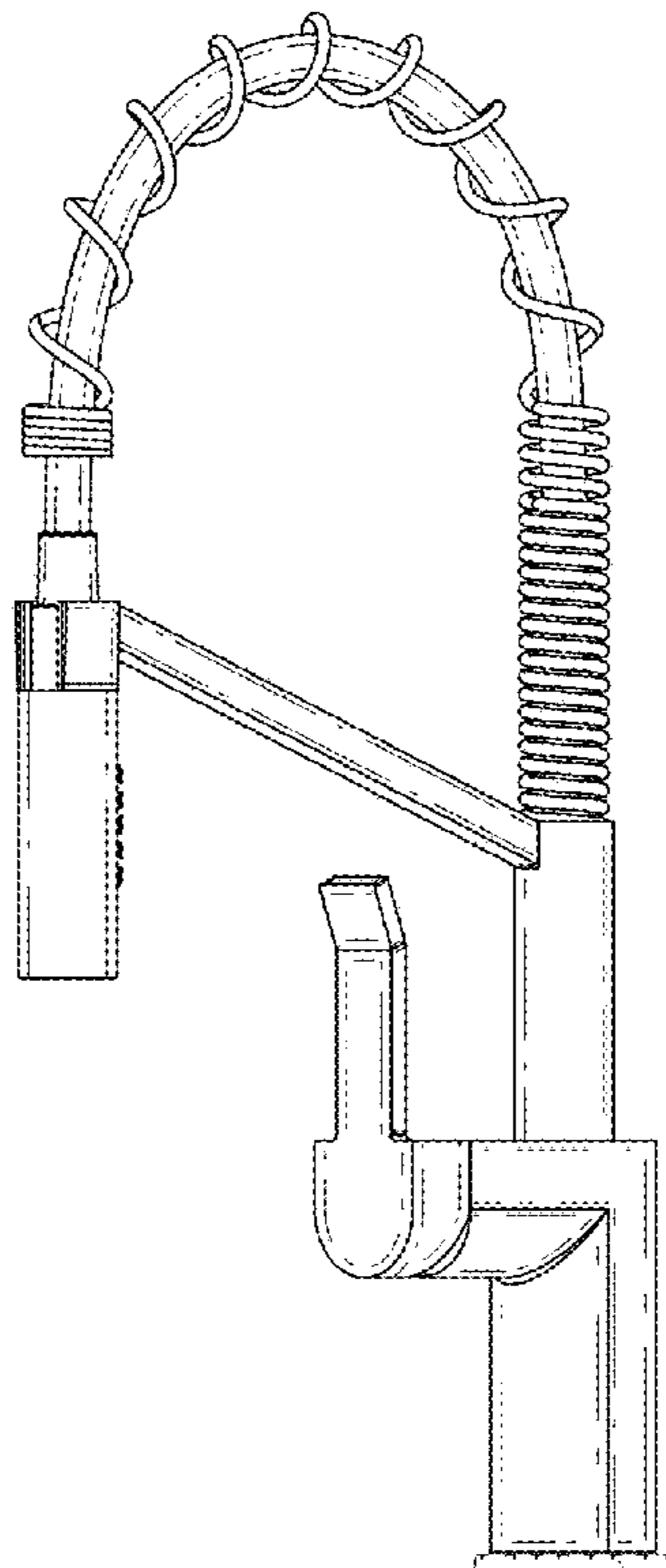
(57) **CLAIM**

I claim the ornamental design for a faucet, as shown and described.

**DESCRIPTION**

FIG. 1 is a perspective view of a faucet showing my new design;  
FIG. 2 is back perspective view of the faucet as shown in FIG. 1;  
FIG. 3 is a left-side view of the faucet as shown in FIG. 1;  
FIG. 4 is a right-side view of the faucet as shown in FIG. 1;  
FIG. 5 is a front-side view of the faucet as shown in FIG. 1;  
FIG. 6 is a back-side view of the faucet as shown in FIG. 1;  
and,  
FIG. 7 is a top-side view of the faucet as shown in FIG. 1.  
The broken lines are only for environmental purposes and form no part of the claimed design.

**1 Claim, 7 Drawing Sheets**



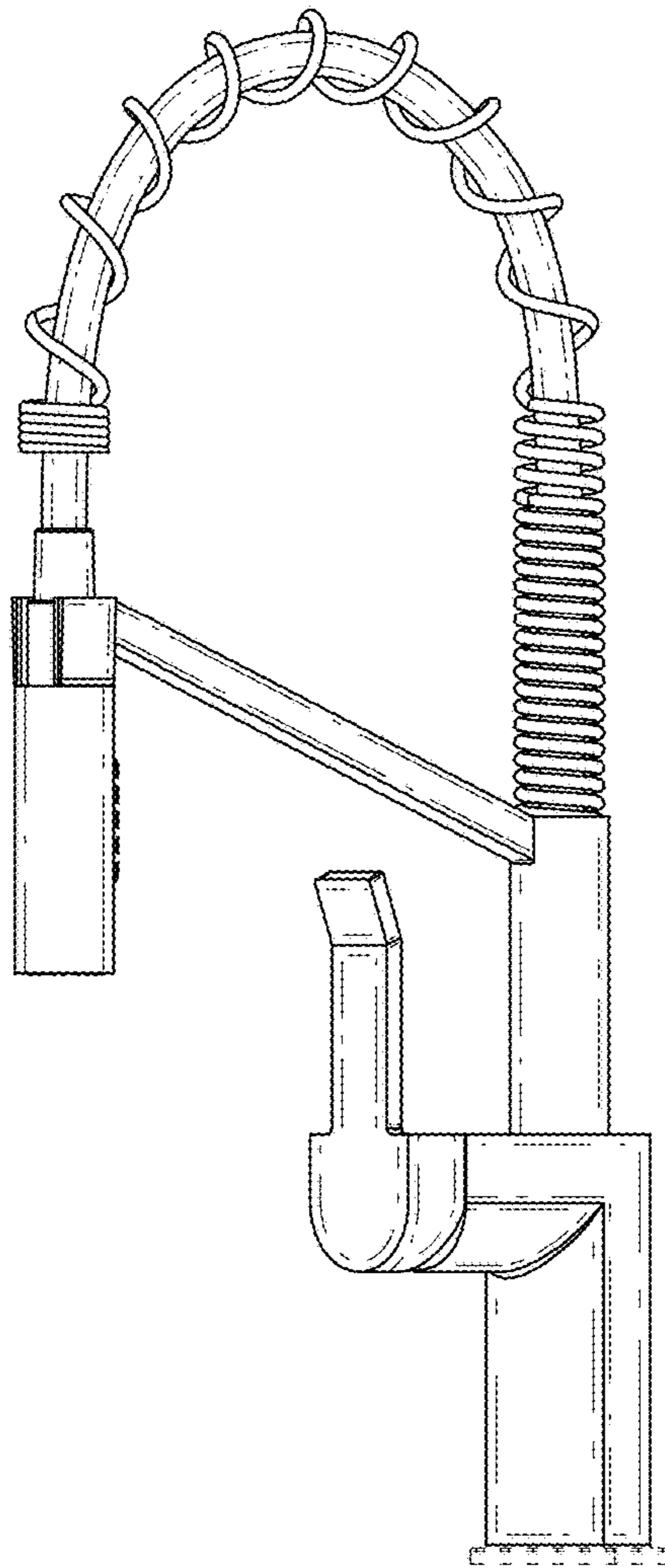


FIG. 1

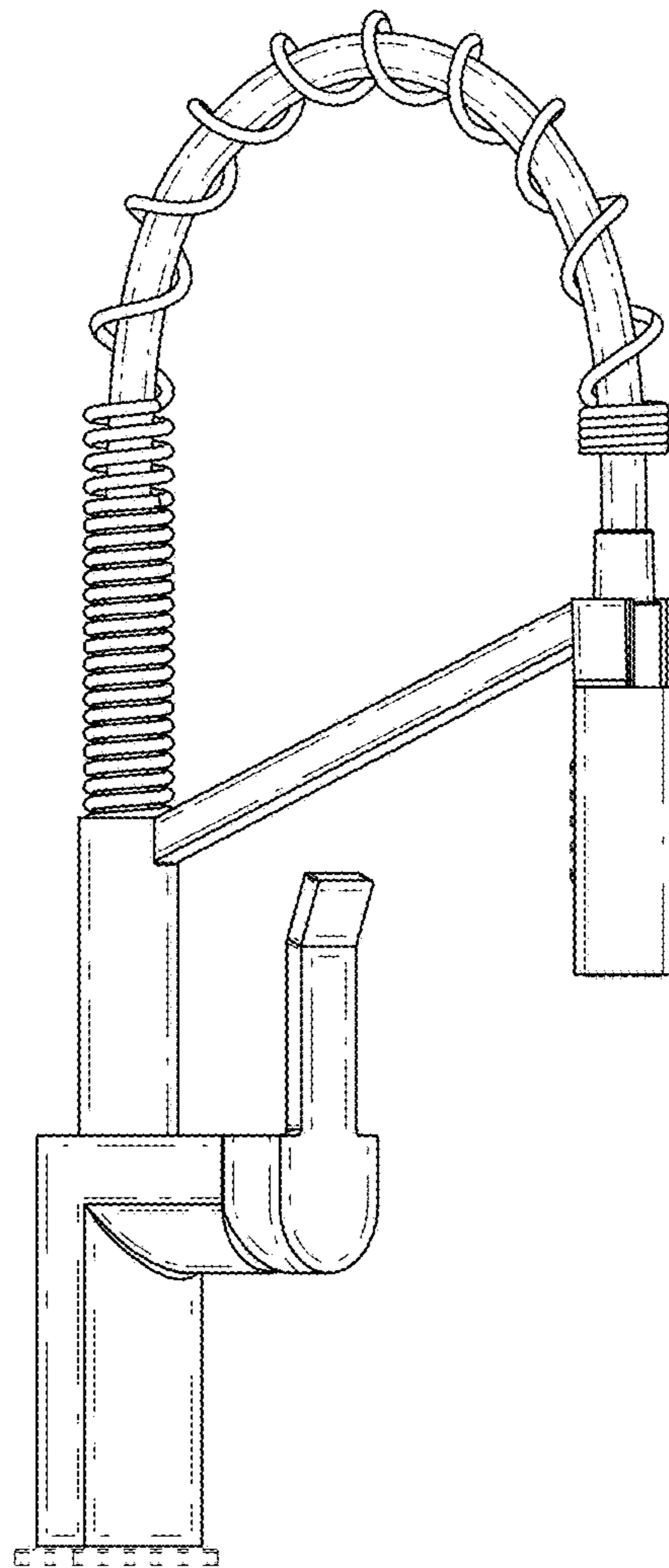


FIG. 2

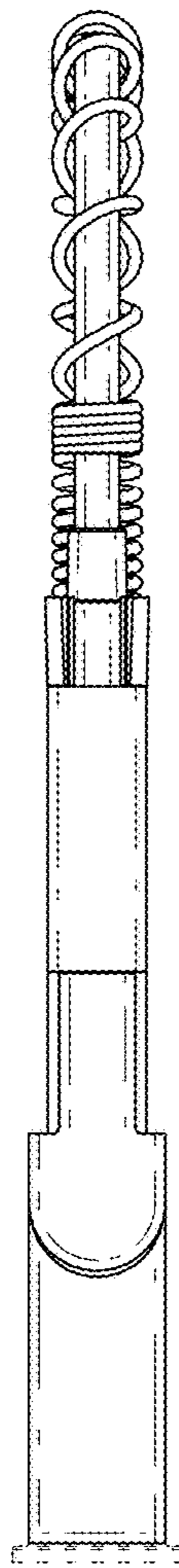


FIG. 3

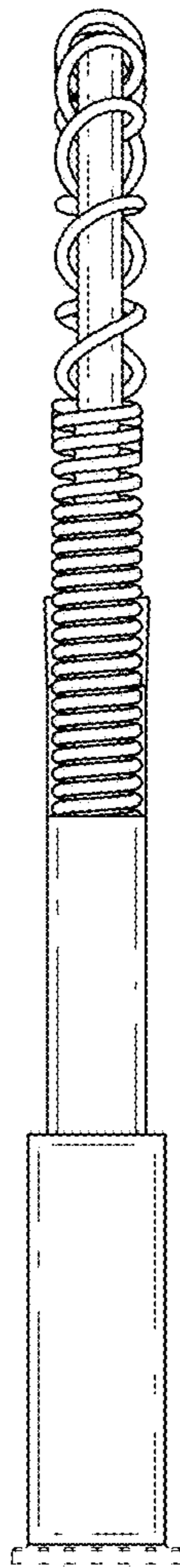


FIG. 4

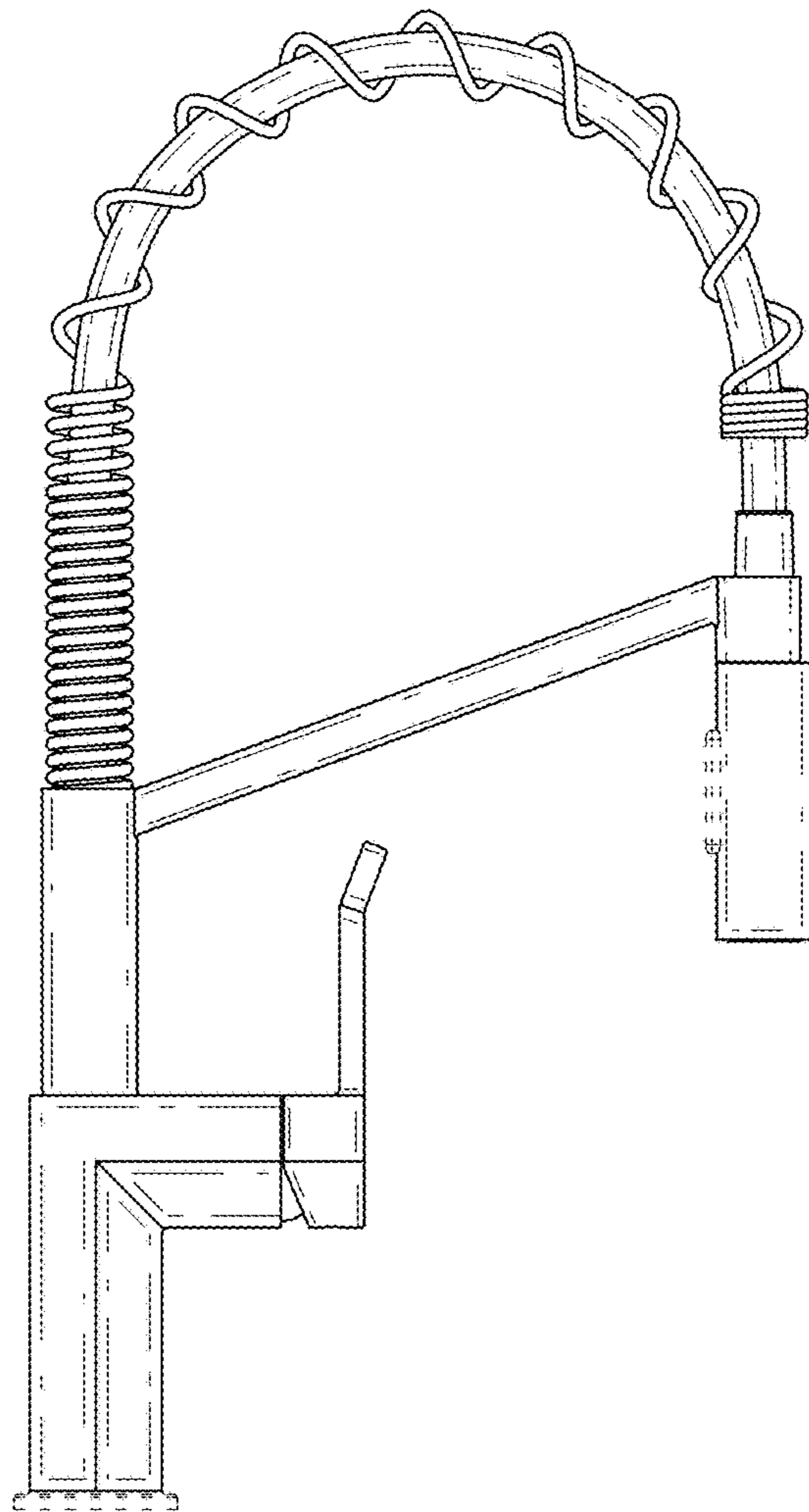


FIG. 5

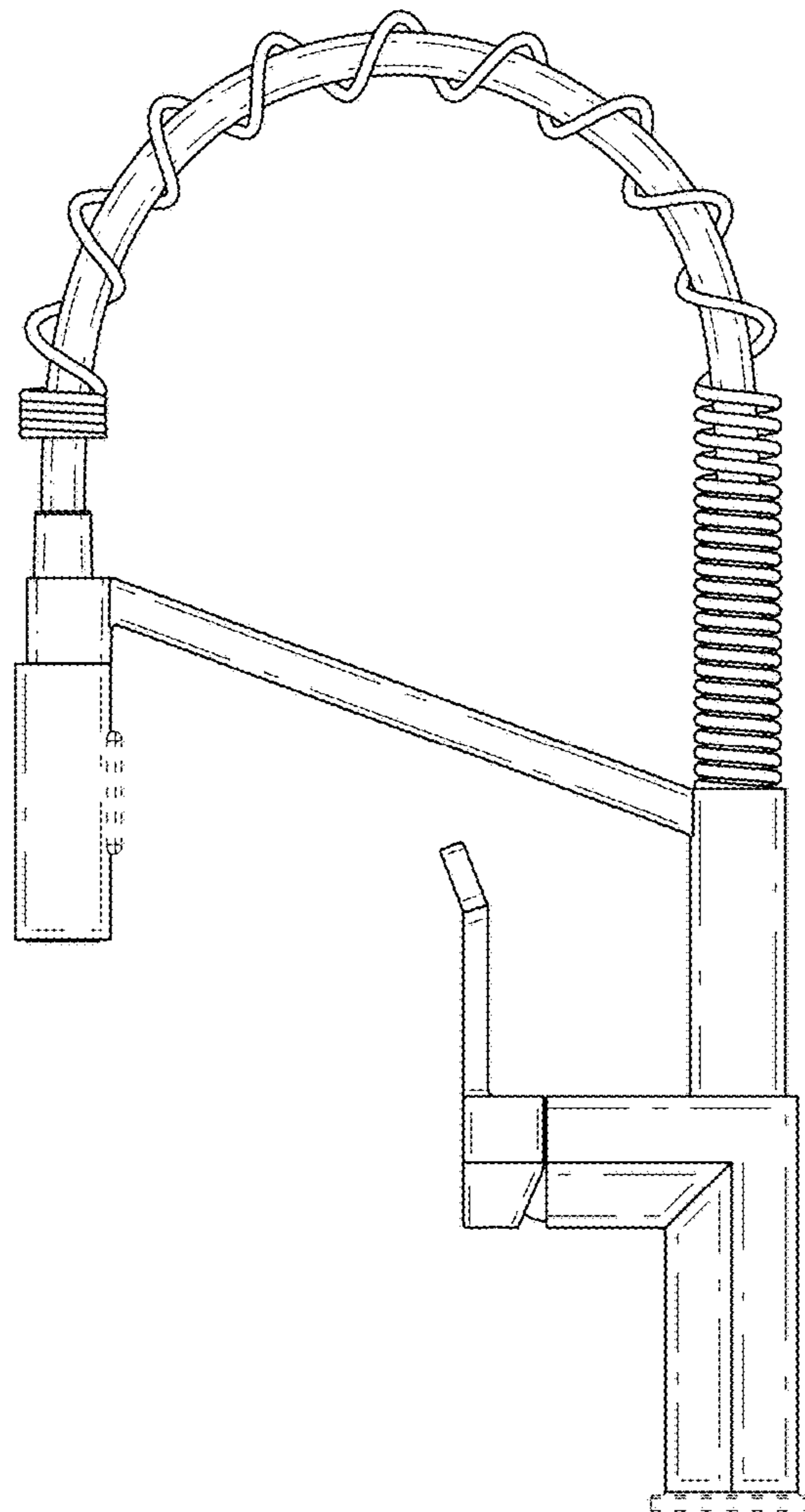


FIG. 6

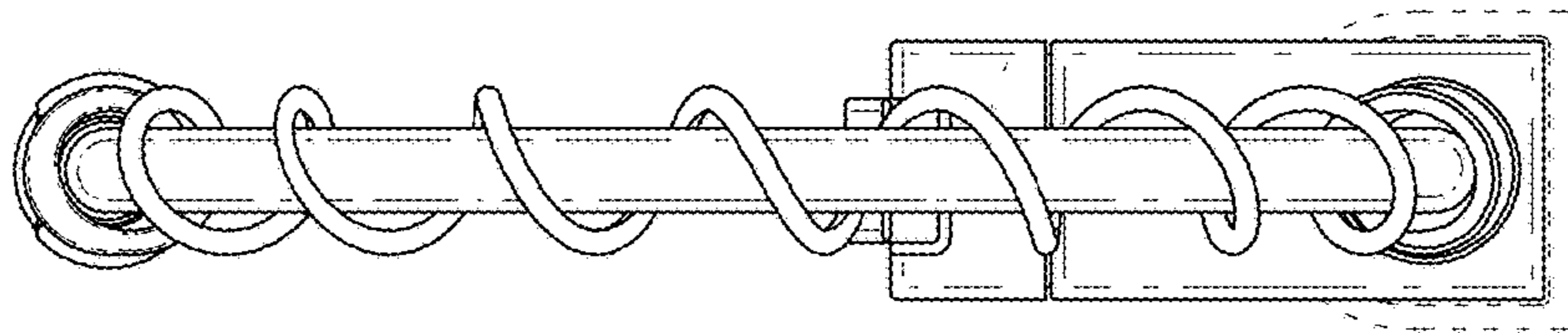


FIG. 7