

US00D864354S

(12) **United States Design Patent**
Asada

(10) **Patent No.:** **US D864,354 S**

(45) **Date of Patent:** **** Oct. 22, 2019**

(54) **AUTOMATIC DRAIN VALVE**
(71) Applicant: **TLV CO., LTD.**, Kakogawa-Shi, Hyogo (JP)

(72) Inventor: **Tetsuo Asada**, Kakogawa (JP)

(**) Term: **15 Years**

(21) Appl. No.: **35/505,791**

(22) Filed: **Apr. 3, 2018**

(80) **Hague Agreement Data**

Int. Filing Date: **Apr. 3, 2018**
Int. Reg. No.: **DM/101470**
Int. Reg. Date: **Apr. 3, 2018**
Int. Reg. Pub. Date: **Oct. 5, 2018**

(51) **LOC (12) Cl.** **23-02**

(52) **U.S. Cl.**
USPC **D23/233**

(58) **Field of Classification Search**
USPC D23/233-250
CPC F16K 31/02; F16L 19/00
See application file for complete search history.

(56) **References Cited**

U.S. PATENT DOCUMENTS

D771,223 S * 11/2016 Rycroft D23/233
D773,611 S * 12/2016 Baker D23/233
D820,391 S * 6/2018 Chiba D23/233

D820,392 S * 6/2018 Caleffi D23/233
D822,167 S * 7/2018 Baker D23/233
D822,168 S * 7/2018 Nelli D23/233
D825,717 S * 8/2018 Karibe D23/233
D832,399 S * 10/2018 Shimura D23/233
D835,241 S * 12/2018 Dietzen D23/259
D835,754 S * 12/2018 Caleffi D23/233
D842,969 S * 3/2019 Lan D23/233

* cited by examiner

Primary Examiner — Khawaja Anwar

(57) **CLAIM**

The ornamental design for an automatic drain valve, as shown and described.

DESCRIPTION

The patent or application file contains at least one drawing executed in color. Copies of this patent or patent application publication with color drawing(s) will be provided by the Office upon request and payment of the necessary fee.

1. Automatic drain valve

1.1 : Perspective

1.2 : Front

1.3 : Back

1.4 : Top

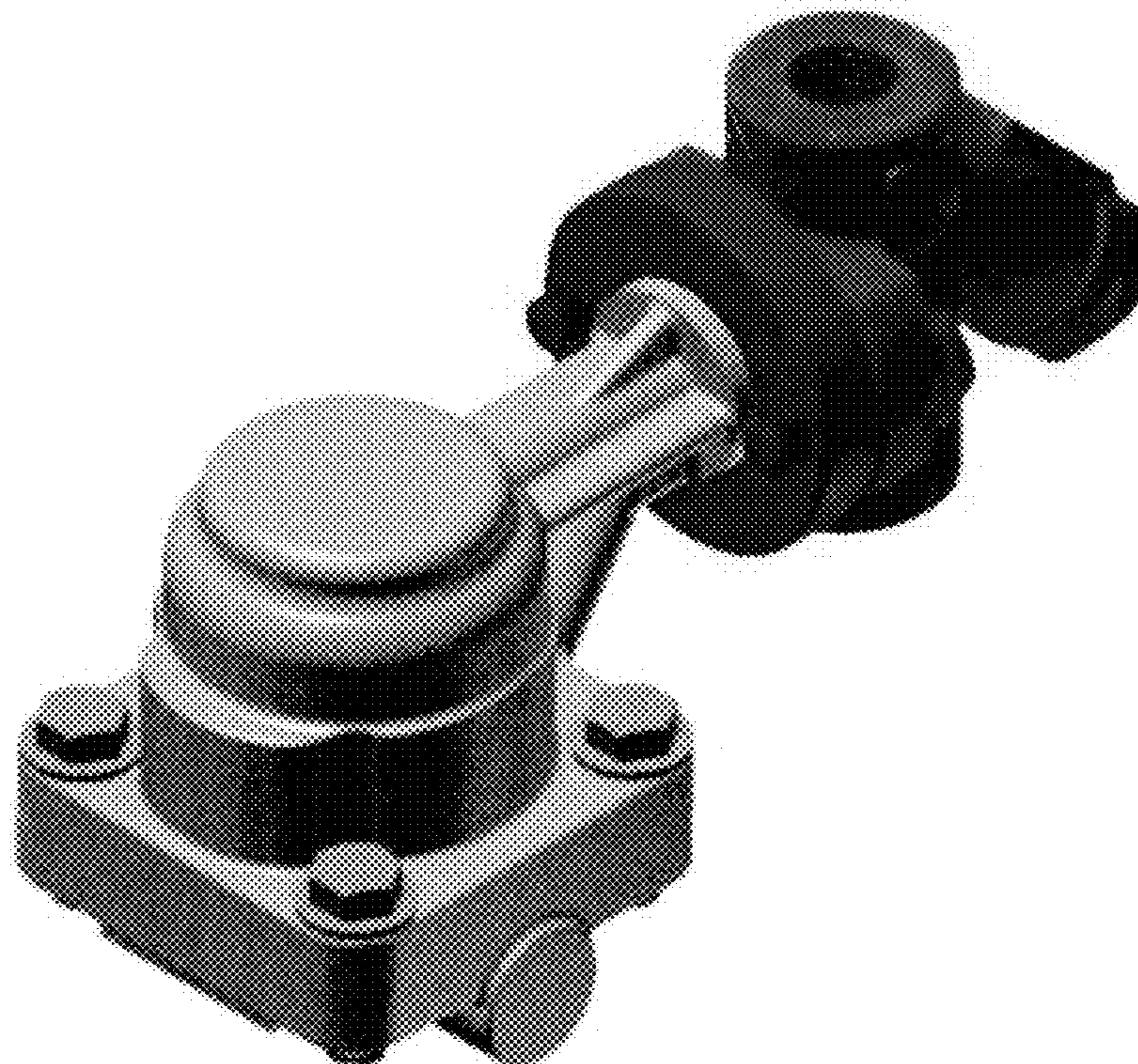
1.5 : Bottom

1.6 : Left

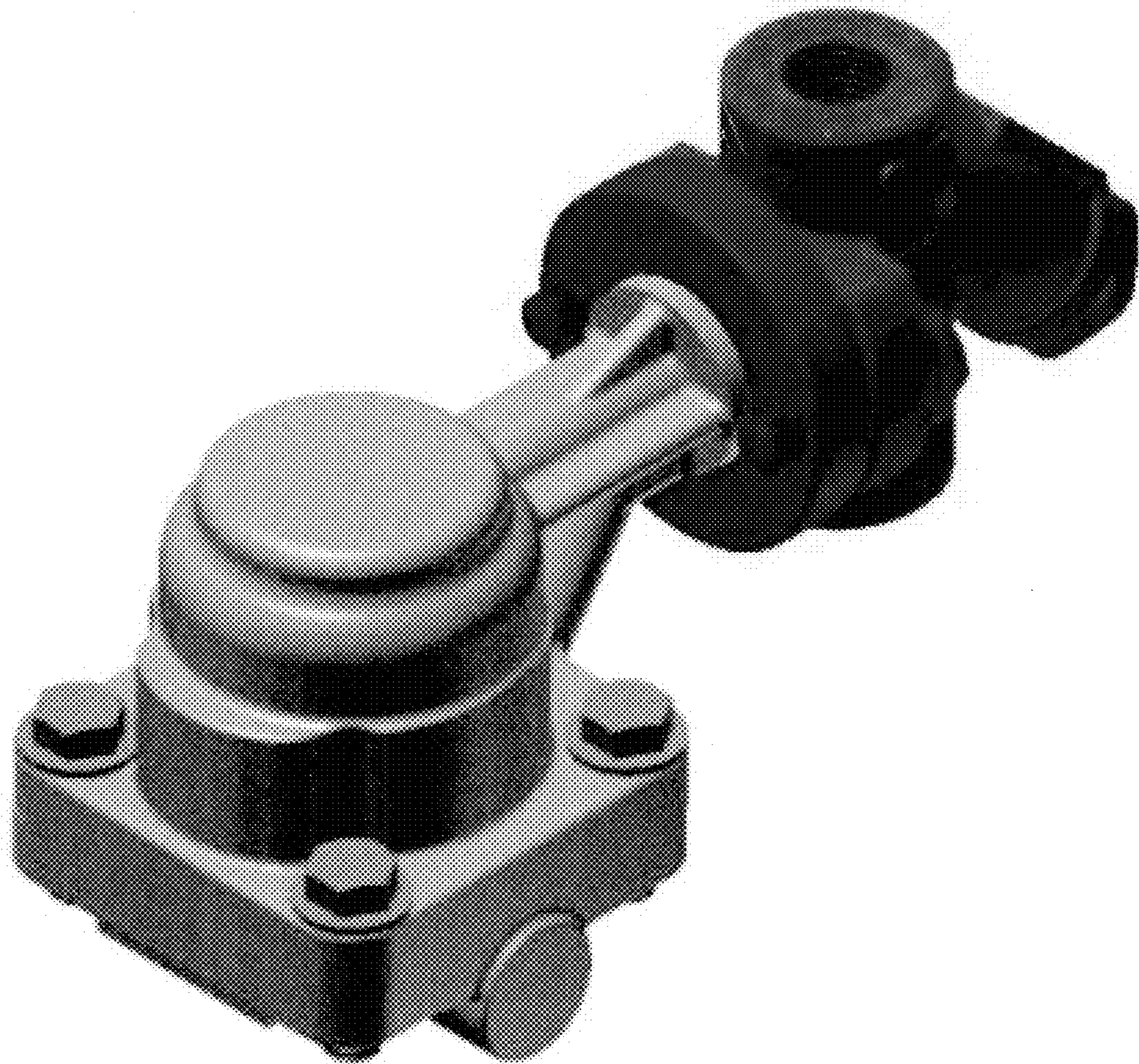
1.7 : Right

The portion colored by gold (yellow and orange) forms no part of the claimed design.

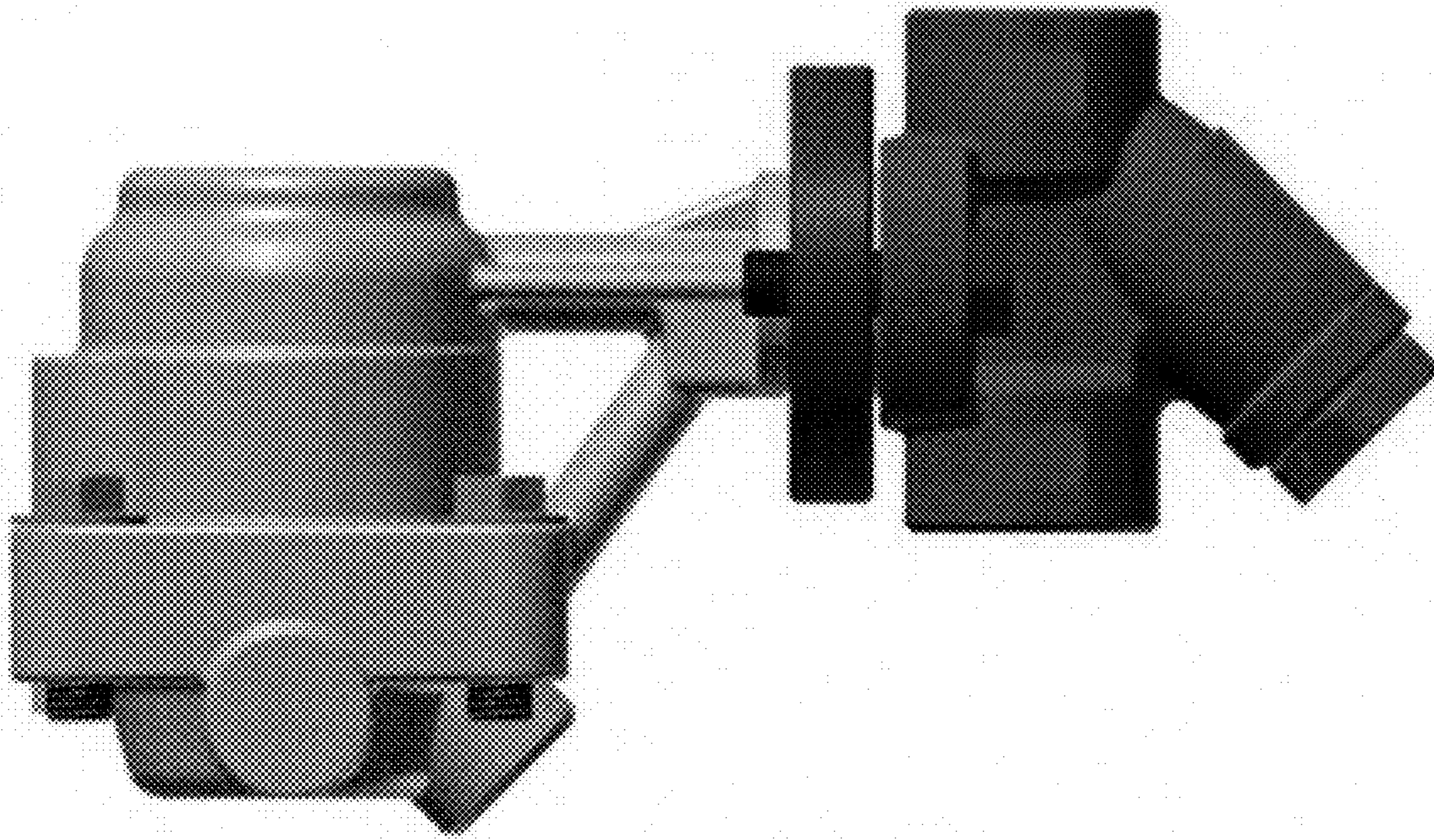
1 Claim, 7 Drawing Sheets
(7 of 7 Drawing Sheet(s) Filed in Color)



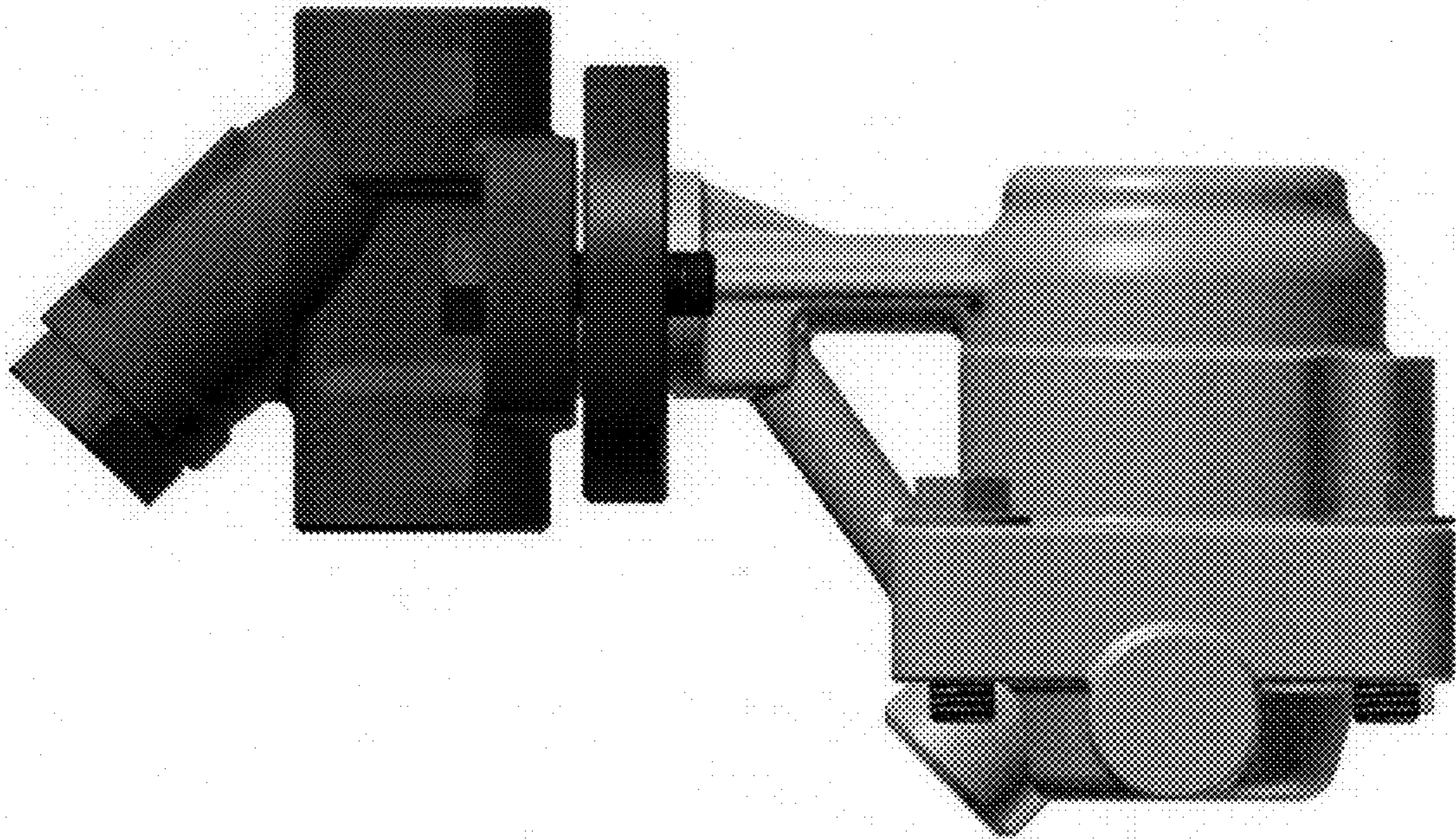
1.1



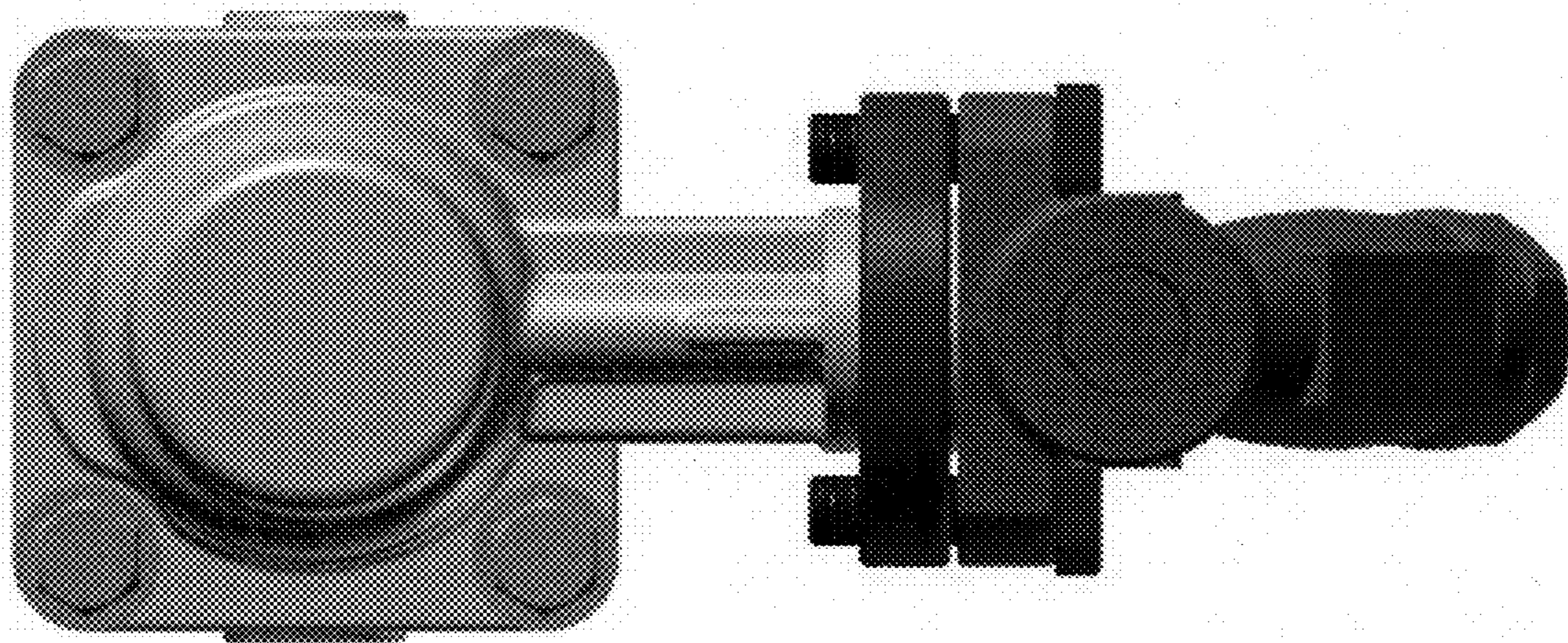
1.2



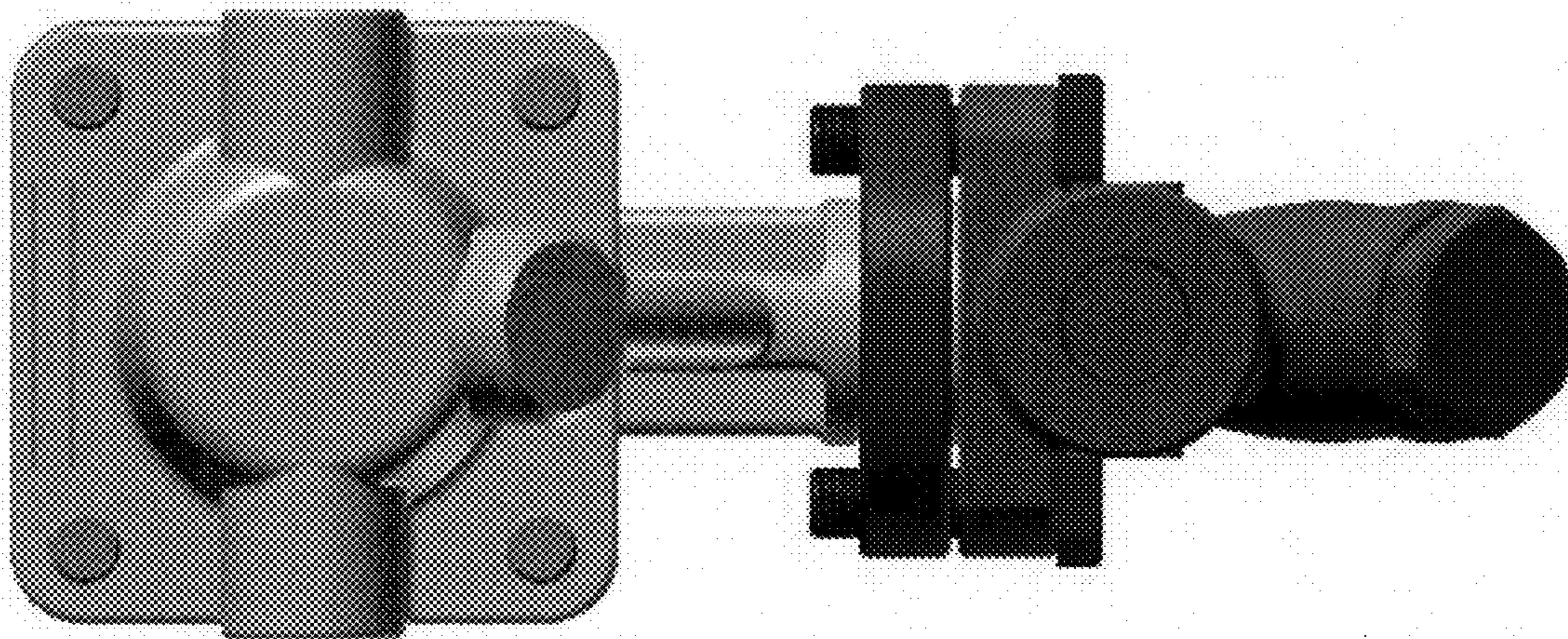
1.3



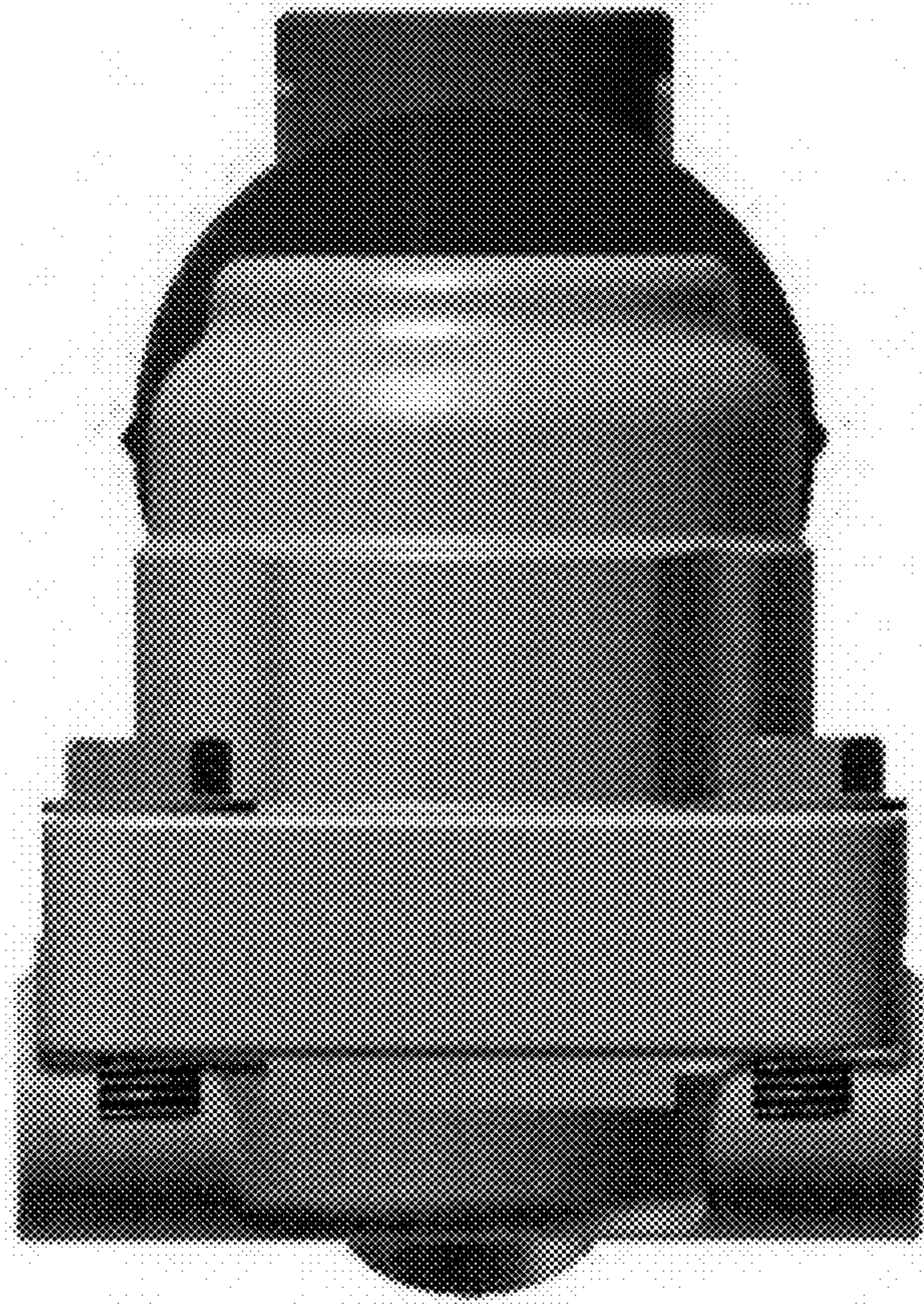
1.4



1.5



1.6



1.7

