



US00D864353S

(12) **United States Design Patent**  
**Oechsle**

(10) **Patent No.:** **US D864,353 S**

(45) **Date of Patent:** **\*\* Oct. 22, 2019**

(54) **FLUID DISTRIBUTION EQUIPMENT**

(71) Applicant: **NEOPERL GMBH**, Mullheim (DE)

(72) Inventor: **Daniel Oechsle**, Mullheim (DE)

(73) Assignee: **Neoperl GmbH**, Müllheim (DE)

(\*\*) Term: **15 Years**

(21) Appl. No.: **35/503,110**

(22) Filed: **Mar. 10, 2017**

(80) **Hague Agreement Data**

Int. Filing Date: **Mar. 10, 2017**

Int. Reg. No.: **DM/096156**

Int. Reg. Date: **Mar. 10, 2017**

Int. Reg. Pub. Date: **Jun. 9, 2017**

(51) **LOC (12) Cl.** ..... **23-01**

(52) **U.S. Cl.**  
USPC ..... **D23/233**

(58) **Field of Classification Search**  
USPC ..... D23/213, 229, 233, 235, 247-249  
CPC . B05B 7/0425; B05B 7/00; E03C 1/08; E03C  
1/084; E03C 1/086; E03C 2001/026;  
E03C 1/00; E03C 1/023; E03C 2201/30;  
F16L 9/18-20; F16L 9/22; F16L 37/00  
See application file for complete search history.

(56) **References Cited**

**U.S. PATENT DOCUMENTS**

D97,414 S \* 11/1935 Schlafman ..... D23/268  
D272,262 S \* 1/1984 Honma ..... D23/235

6,425,416 B1 \* 7/2002 Narita ..... F15B 13/0825  
137/625.27  
D479,307 S \* 9/2003 Ferrer Beltran ..... D23/209  
D513,782 S \* 1/2006 Lovett ..... D23/213  
D678,470 S \* 3/2013 Mortensen ..... D23/233  
D747,784 S \* 1/2016 McLauchlan ..... D23/233  
D752,721 S \* 3/2016 Wildfang ..... D23/262  
D773,611 S \* 12/2016 Baker ..... D23/233  
D801,486 S \* 10/2017 Wildfang ..... D23/262  
D825,717 S \* 8/2018 Karibe ..... F15B 13/0825  
D23/233  
D849,198 S \* 5/2019 Karibe ..... D23/233

\* cited by examiner

*Primary Examiner* — Keli L Hill

(74) *Attorney, Agent, or Firm* — Volpe and Koenig, P.C.

(57) **CLAIM**

I claim the ornamental design for fluid distribution equip-  
ment, as shown and described.

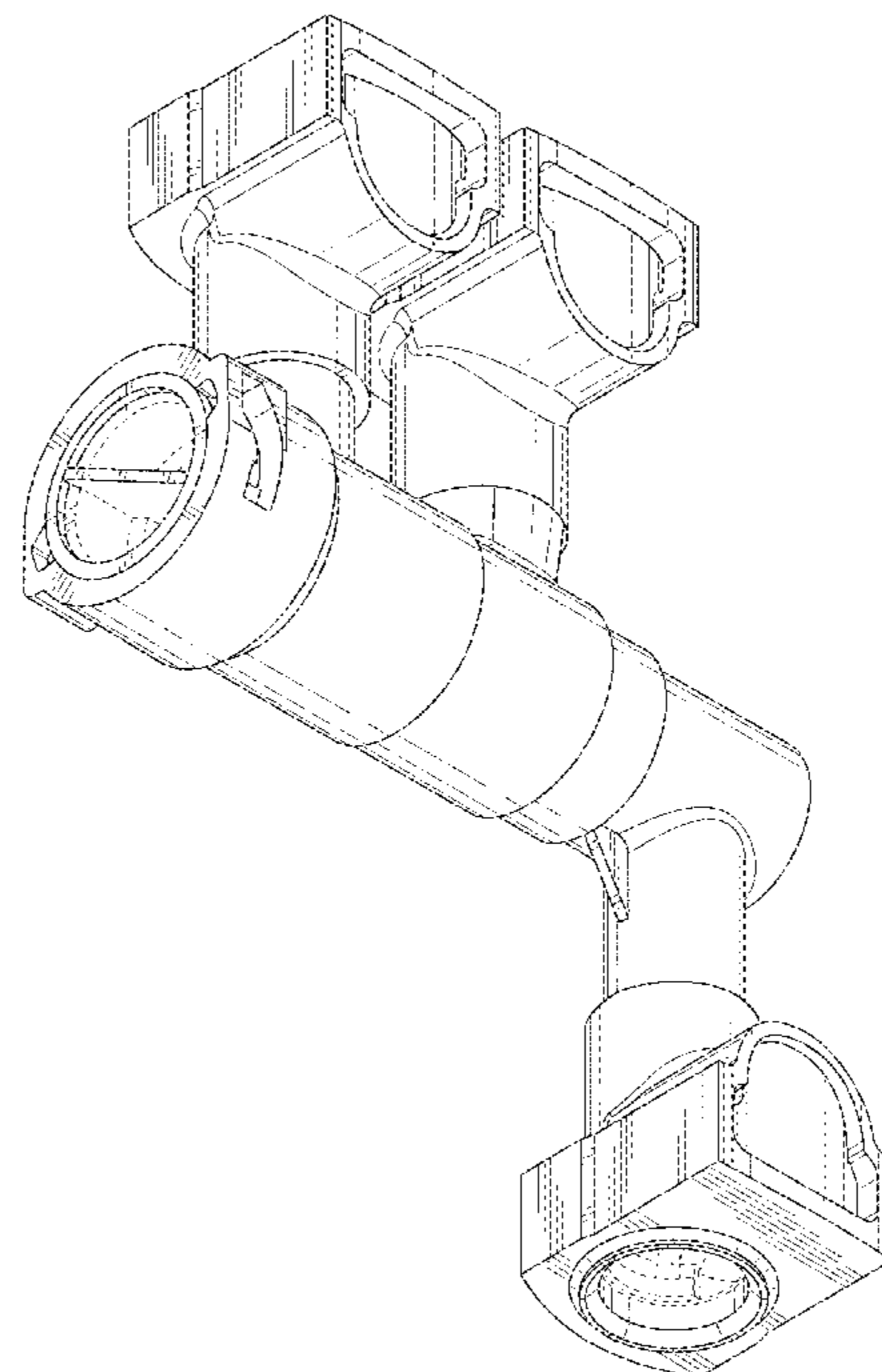
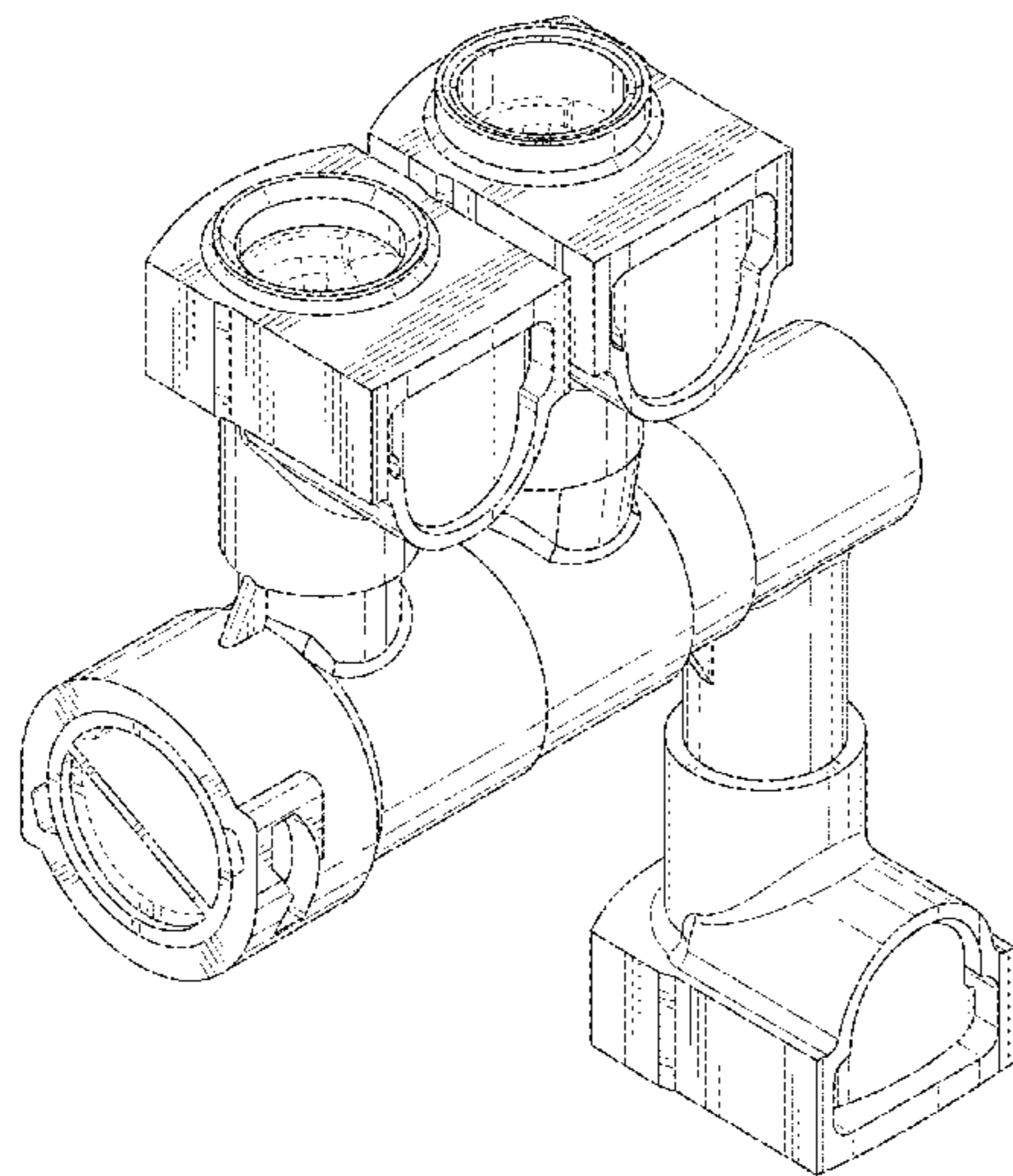
**DESCRIPTION**

1.-2. Fluid distribution equipment

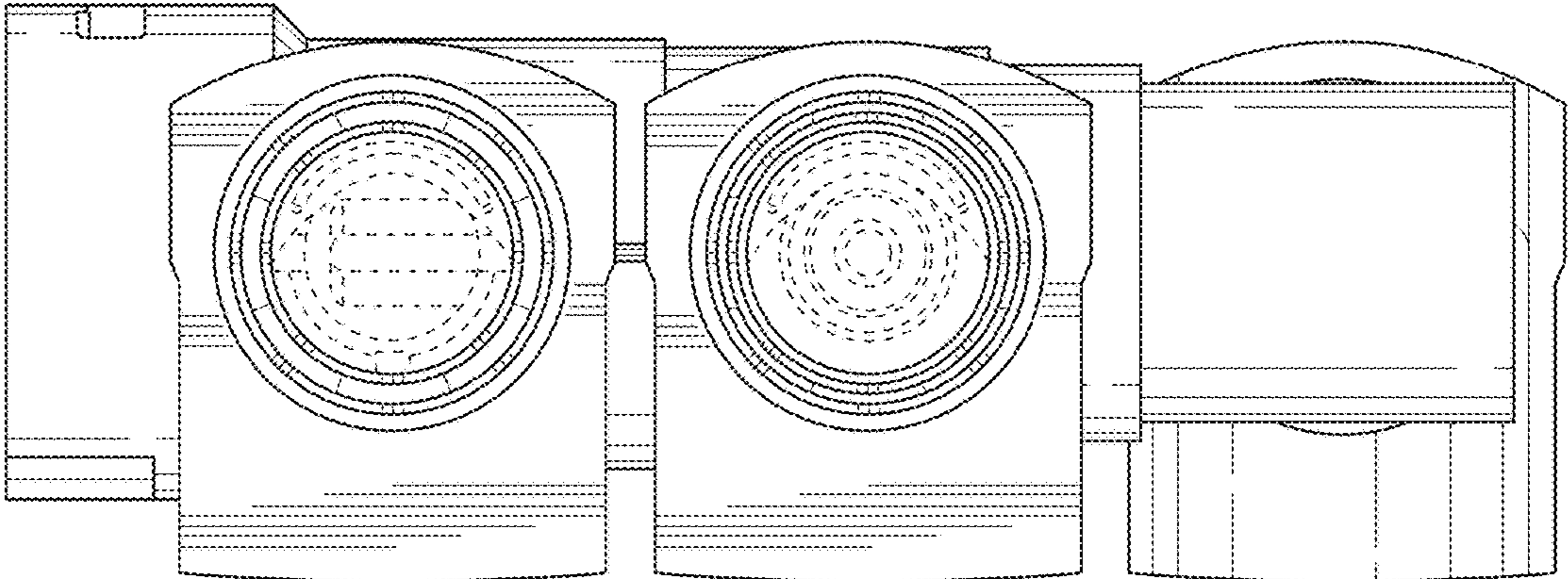
- 1.1 : Top
- 1.2 : Perspective
- 1.3 : Bottom
- 1.4 : Perspective
- 1.5 : Front
- 1.6 : Back
- 1.7 : Left
- 1.8 : Right

The broken lines represent portions of the fluid distribution  
equipment that form no part of the claimed design.

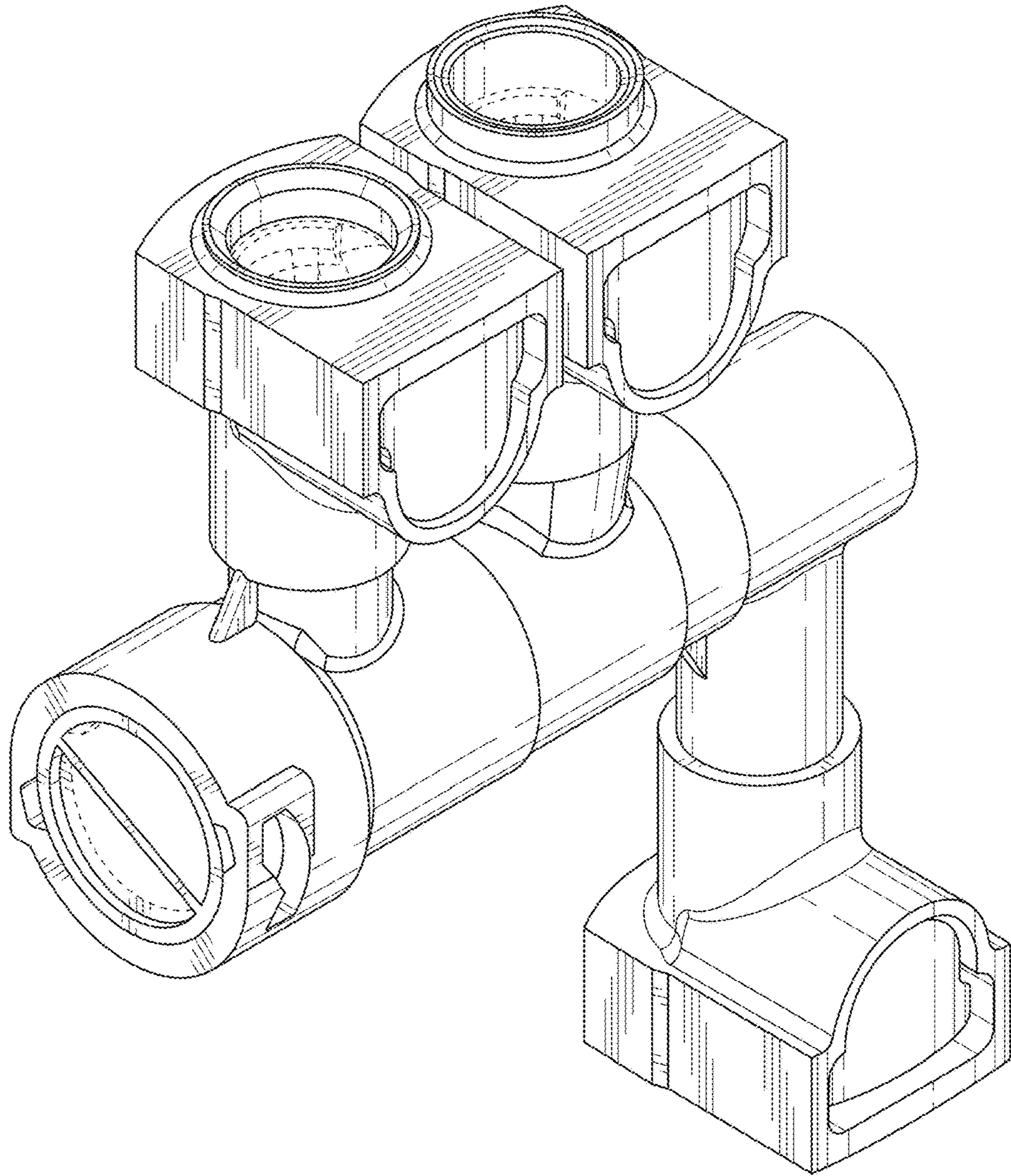
**1 Claim, 8 Drawing Sheets**



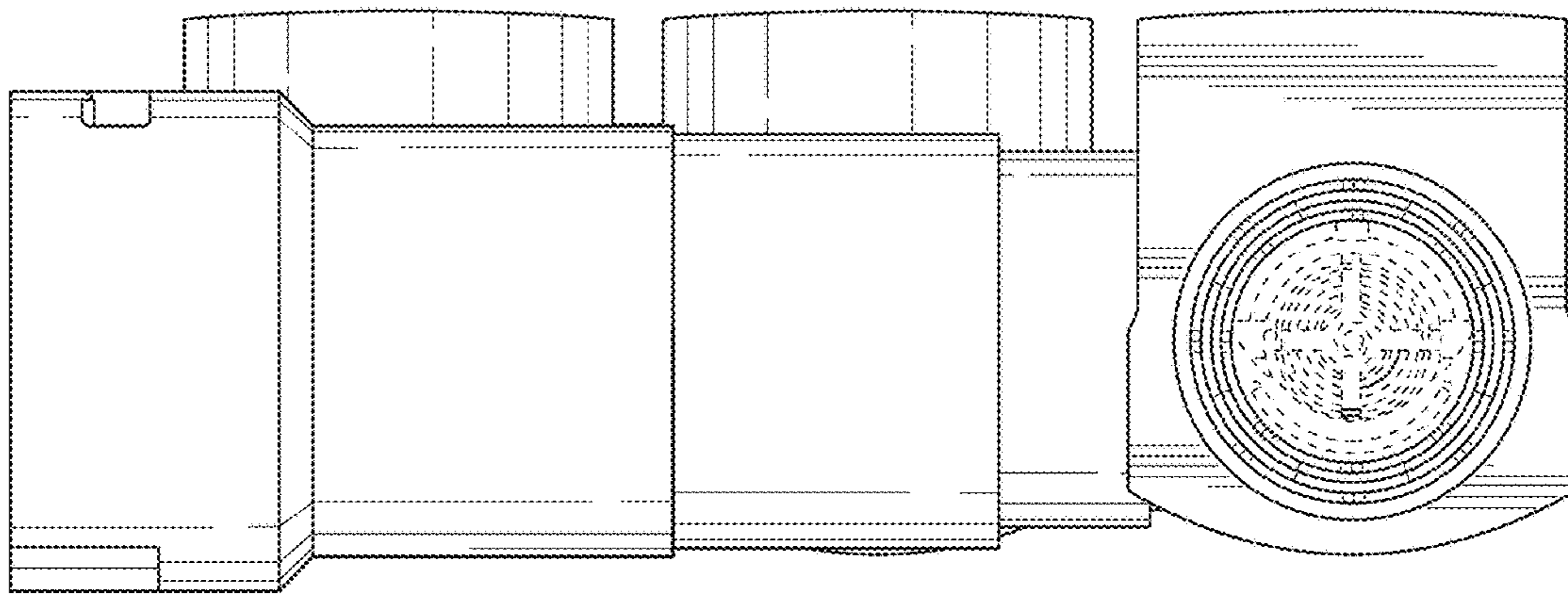
1.1



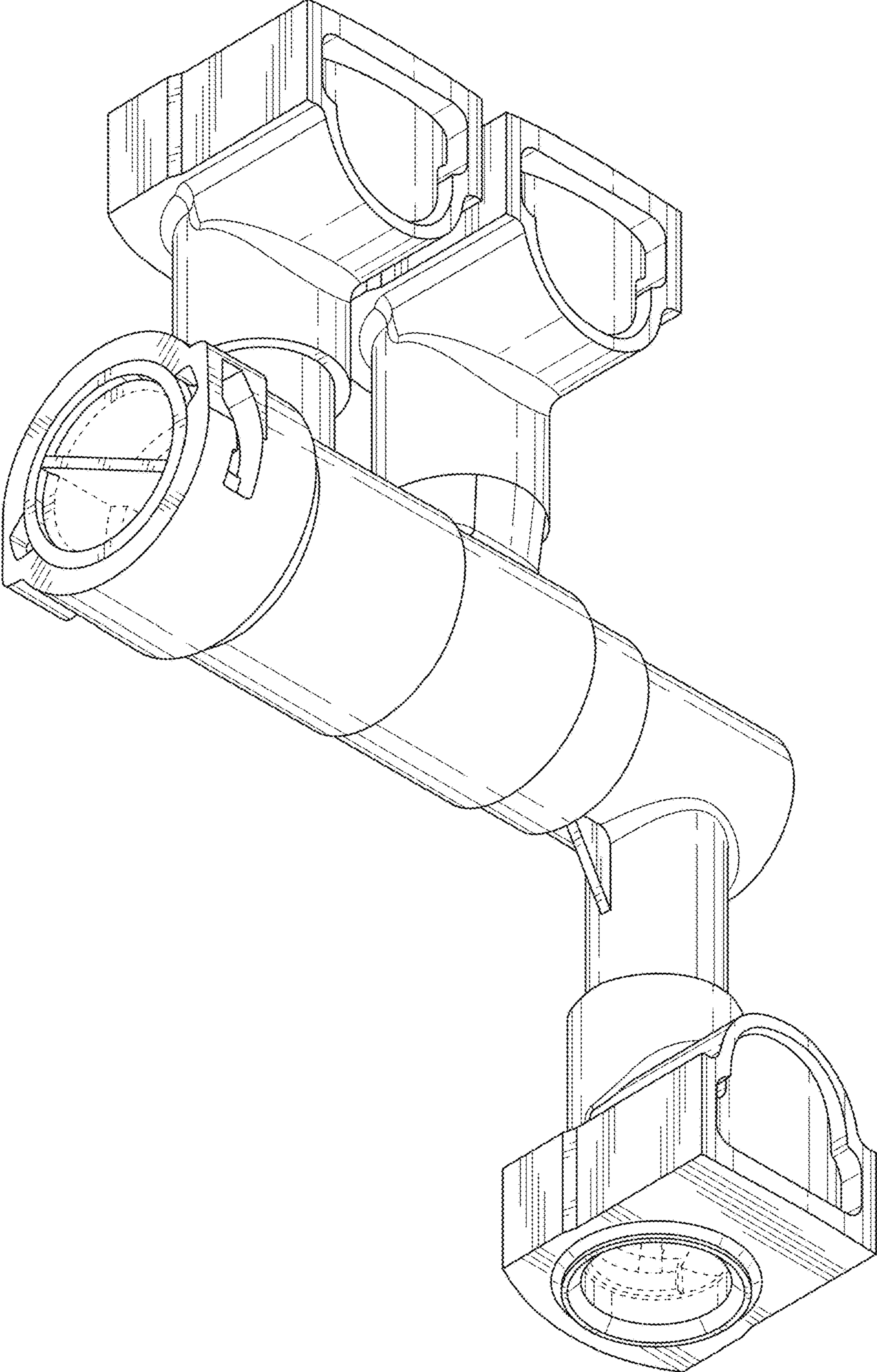
1.2



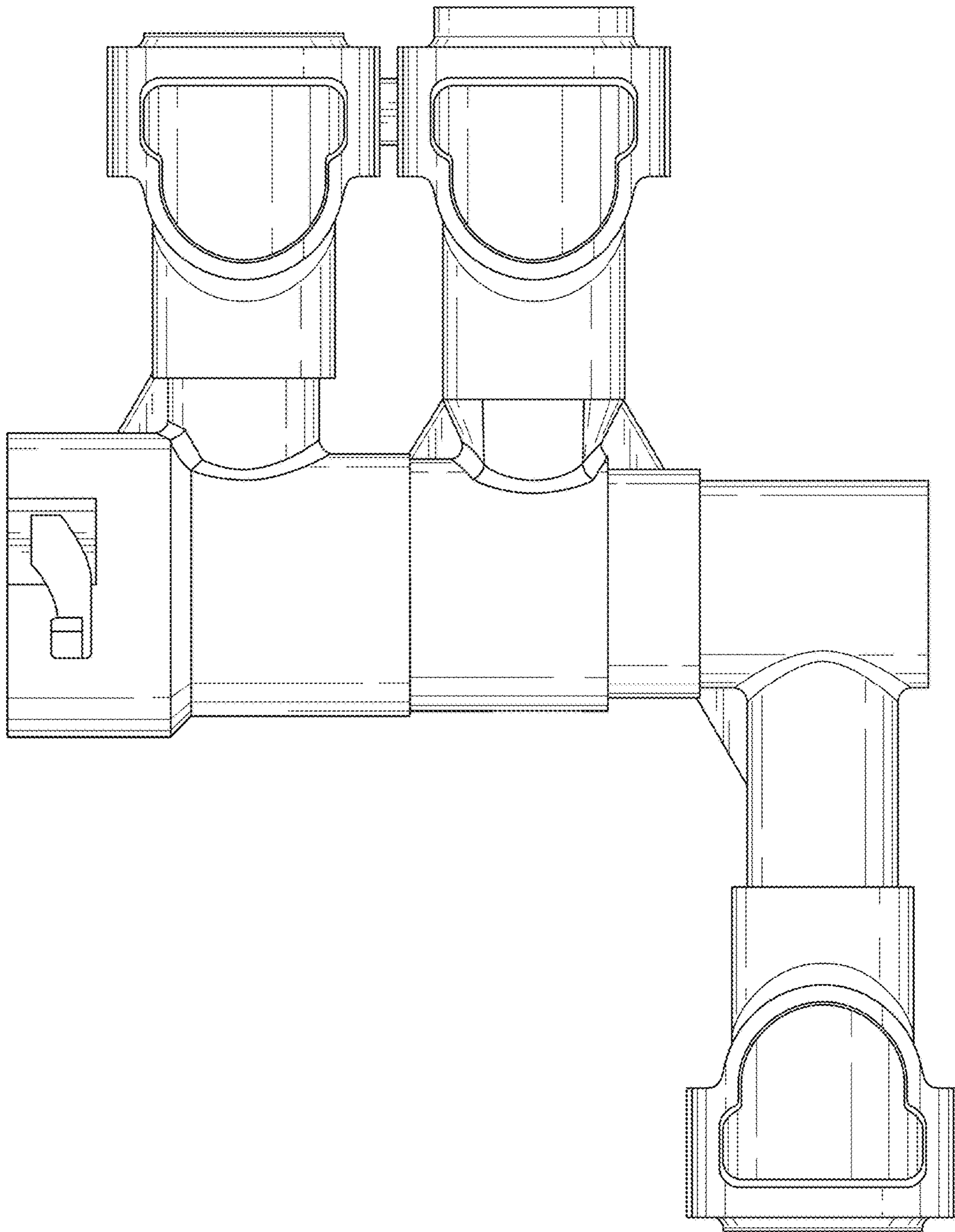
1.3



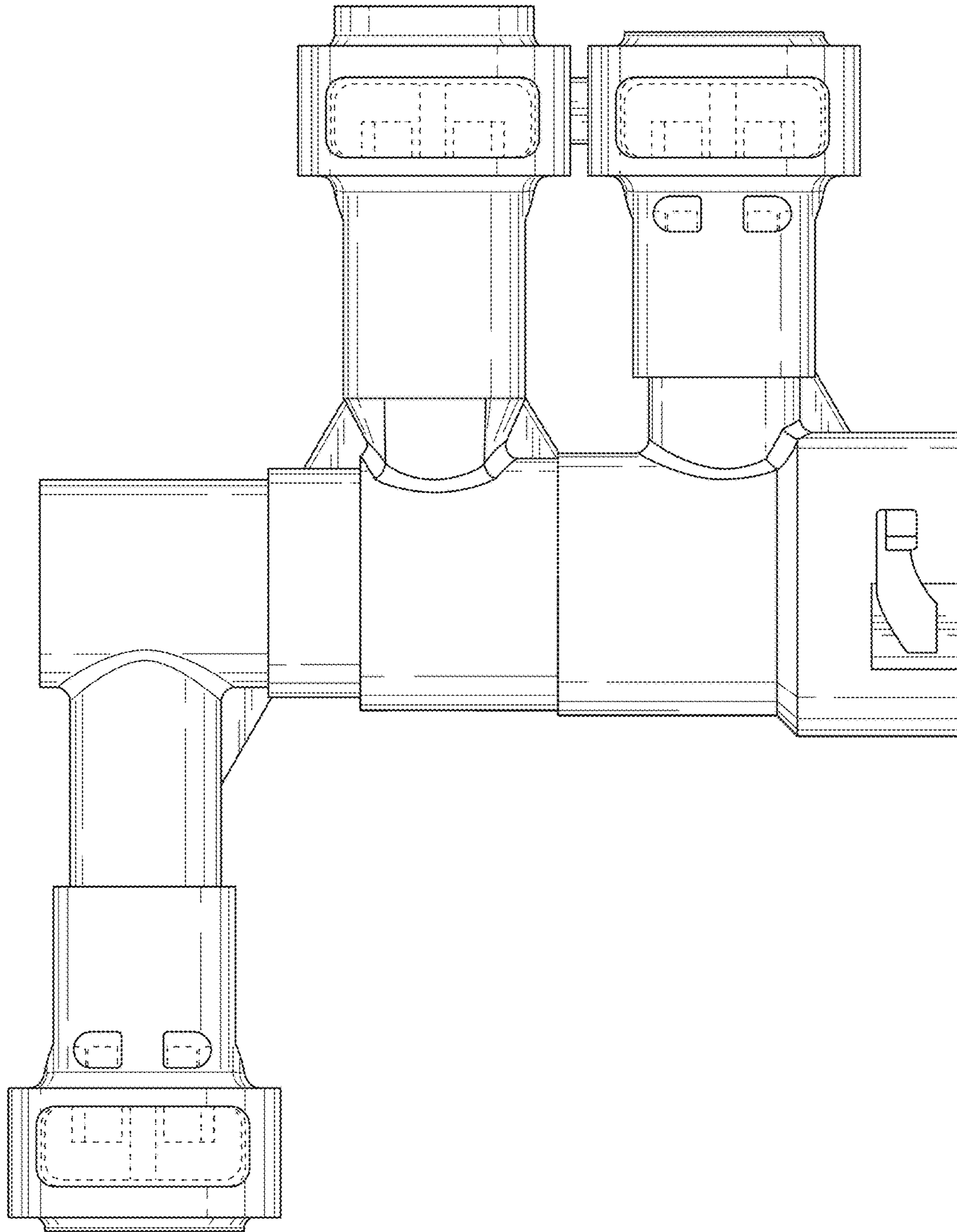
1.4



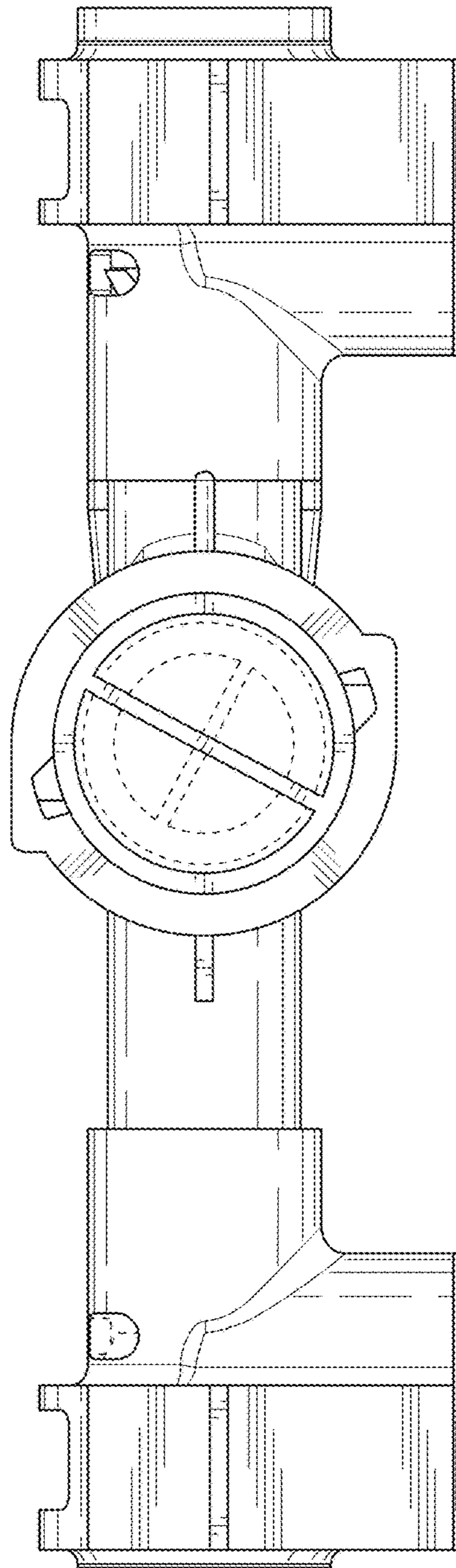
1.5



1.6



1.7





1.8

