



US00D864350S

(12) **United States Design Patent**  
**Logar**

(10) **Patent No.:** **US D864,350 S**

(45) **Date of Patent:** **\*\* Oct. 22, 2019**

(54) **SHOWERHEAD FACE**

(71) Applicant: **Andrew B. Logar**, Willowick, OH (US)

(72) Inventor: **Andrew B. Logar**, Willowick, OH (US)

(73) Assignee: **Waxman Consumer Products Group Inc.**, Bedford Heights, OH (US)

(\*\*) Term: **15 Years**

(21) Appl. No.: **29/647,297**

(22) Filed: **May 11, 2018**

(51) **LOC (12) Cl.** ..... **23-01**

(52) **U.S. Cl.**

USPC ..... **D23/213; D23/223**

(58) **Field of Classification Search**

USPC ..... D23/213, 214, 215, 223, 238

CPC ..... A61H 9/0021; A61H 33/00; B05B 1/00;

B05B 1/14; B05B 1/185; B05B 1/08;

B05B 1/02; B05B 1/26; B05B 12/002;

B05B 1/18; B05B 9/01

See application file for complete search history.

(56) **References Cited**

**U.S. PATENT DOCUMENTS**

D487,498 S *	3/2004	Blomstrom	.....	D23/213
D508,730 S *	8/2005	Blomstrom	.....	D23/229
D524,412 S *	7/2006	Blomstrom	.....	D23/229
D680,619 S *	4/2013	Zhadanov	.....	D23/223
D681,776 S *	5/2013	Cutler	.....	D23/223
D694,357 S *	11/2013	Brodey	.....	D23/213
D694,359 S *	11/2013	Schoenherr	.....	D23/213
D707,330 S *	6/2014	Schoenherr	.....	D23/223
D713,004 S *	9/2014	Schoenherr	.....	D23/223
D713,496 S *	9/2014	Schoenherr	.....	D23/213
D718,418 S *	11/2014	Georgeson	.....	D23/213
D730,493 S *	5/2015	Sehl	.....	D23/261
D733,258 S *	6/2015	Sandee	.....	D23/223
D737,931 S *	9/2015	Schoenherr	.....	D23/223
D737,932 S *	9/2015	Nikles	.....	D23/223

D743,507 S *	11/2015	Georgeson	.....	D23/252
D746,955 S *	1/2016	Corder	.....	D23/261
D752,711 S *	3/2016	Georgeson	.....	D23/213
9,387,495 B2 *	7/2016	Schumacher	.....	B05B 1/30
D778,404 S *	2/2017	Schoenherr	.....	D23/223
D779,038 S *	2/2017	Hanna	.....	D23/223
D779,039 S *	2/2017	Hanna	.....	D23/223
D801,475 S *	10/2017	Naslund	.....	D23/213
D803,350 S *	11/2017	Tian	.....	D23/213
D808,499 S *	1/2018	Naslund	.....	D23/213
D809,094 S *	1/2018	Naslund	.....	D23/213
D810,233 S *	2/2018	Winter	.....	D23/213
D810,861 S *	2/2018	Weaver	.....	D23/213
D811,524 S *	2/2018	Bossini	.....	D23/223
D820,388 S *	6/2018	Seum	.....	D23/213

(Continued)

**OTHER PUBLICATIONS**

[https://www.amazon.com/6-Spray-Shower-Showerhead-Combo-Chrome/dp/B07FF7ZVF1/ref=sr\\_1\\_fknull\\_1?keywords=Glacier+Bay+6-Spray+Hand+Shower+and+Showerhead+Combo+Kit+in+Cchrome&qid=1556544901&s=gateway&sr=8-1-fknull](https://www.amazon.com/6-Spray-Shower-Showerhead-Combo-Chrome/dp/B07FF7ZVF1/ref=sr_1_fknull_1?keywords=Glacier+Bay+6-Spray+Hand+Shower+and+Showerhead+Combo+Kit+in+Cchrome&qid=1556544901&s=gateway&sr=8-1-fknull) (Year: 2019).\*

*Primary Examiner* — Manpreet S Matharu

*Assistant Examiner* — Keith J Wilson

(74) *Attorney, Agent, or Firm* — Fay Sharpe LLP

(57) **CLAIM**

The ornamental design for a showerhead face, as shown and described.

**DESCRIPTION**

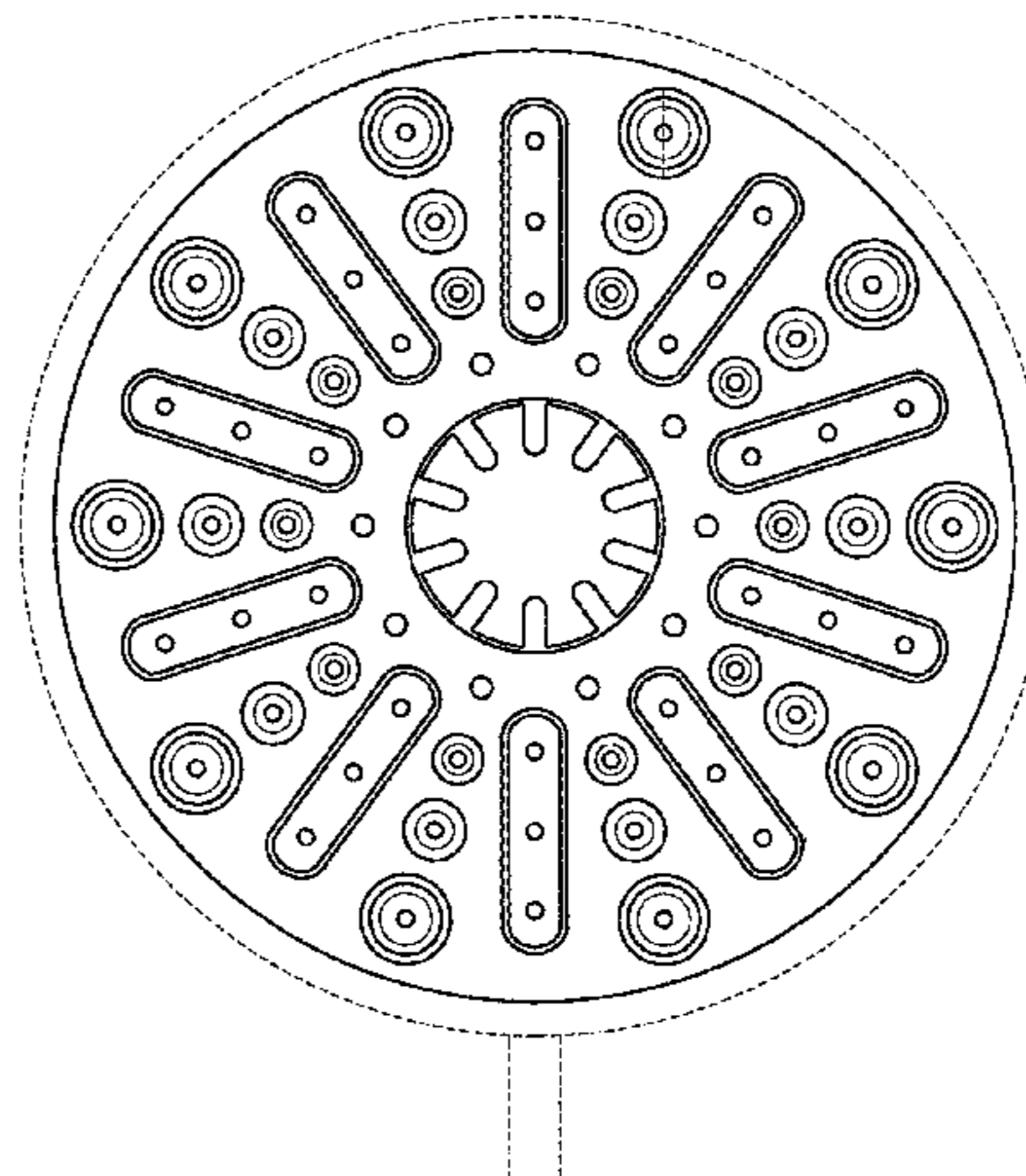
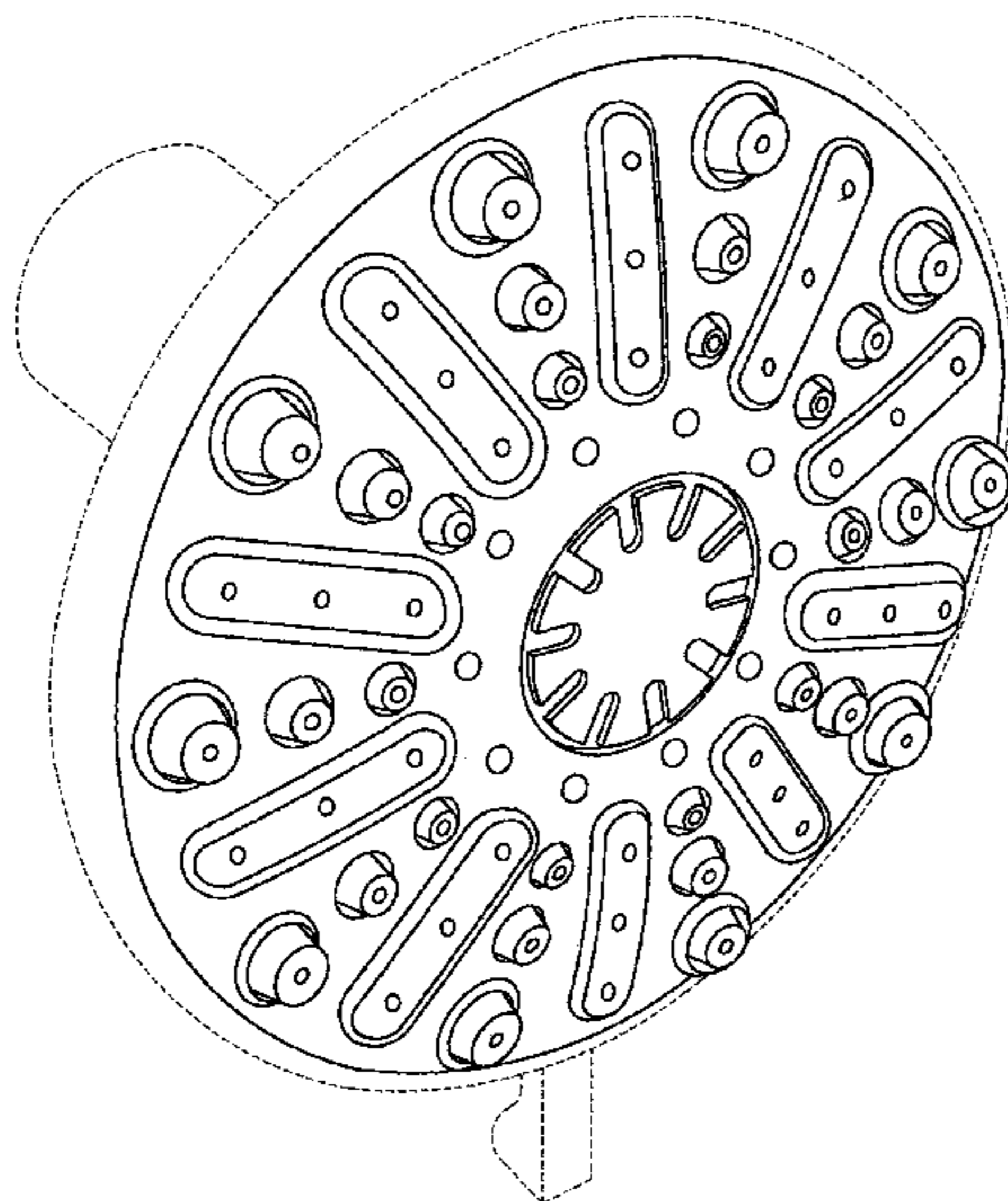
FIG. 1 is a perspective view of a showerhead face showing my new design;

FIG. 2 is a front elevational view of the showerhead face; and,

FIG. 3 is a right side elevational view of the showerhead face.

The broken lines shown in the figures represent portions of a shower head that form no part of the claimed design.

**1 Claim, 2 Drawing Sheets**



(56)

**References Cited**

U.S. PATENT DOCUMENTS

D820,949 S *	6/2018	Reinecker .....	D23/213
D821,542 S *	6/2018	Reinecker .....	D23/213
D824,485 S *	7/2018	Montoya .....	D23/213
D833,575 S *	11/2018	Soulier .....	D23/223
D839,384 S *	1/2019	Svendsen .....	D23/213
D840,503 S *	2/2019	Stein .....	D23/213
D841,121 S *	2/2019	Kiefer .....	D23/213
D841,125 S *	2/2019	Lai .....	D23/223
D842,429 S *	3/2019	Huang .....	D23/213
D842,430 S *	3/2019	Huang .....	D23/213
D842,431 S *	3/2019	Cacka .....	D23/213
D842,967 S *	3/2019	Farley .....	D23/213

\* cited by examiner

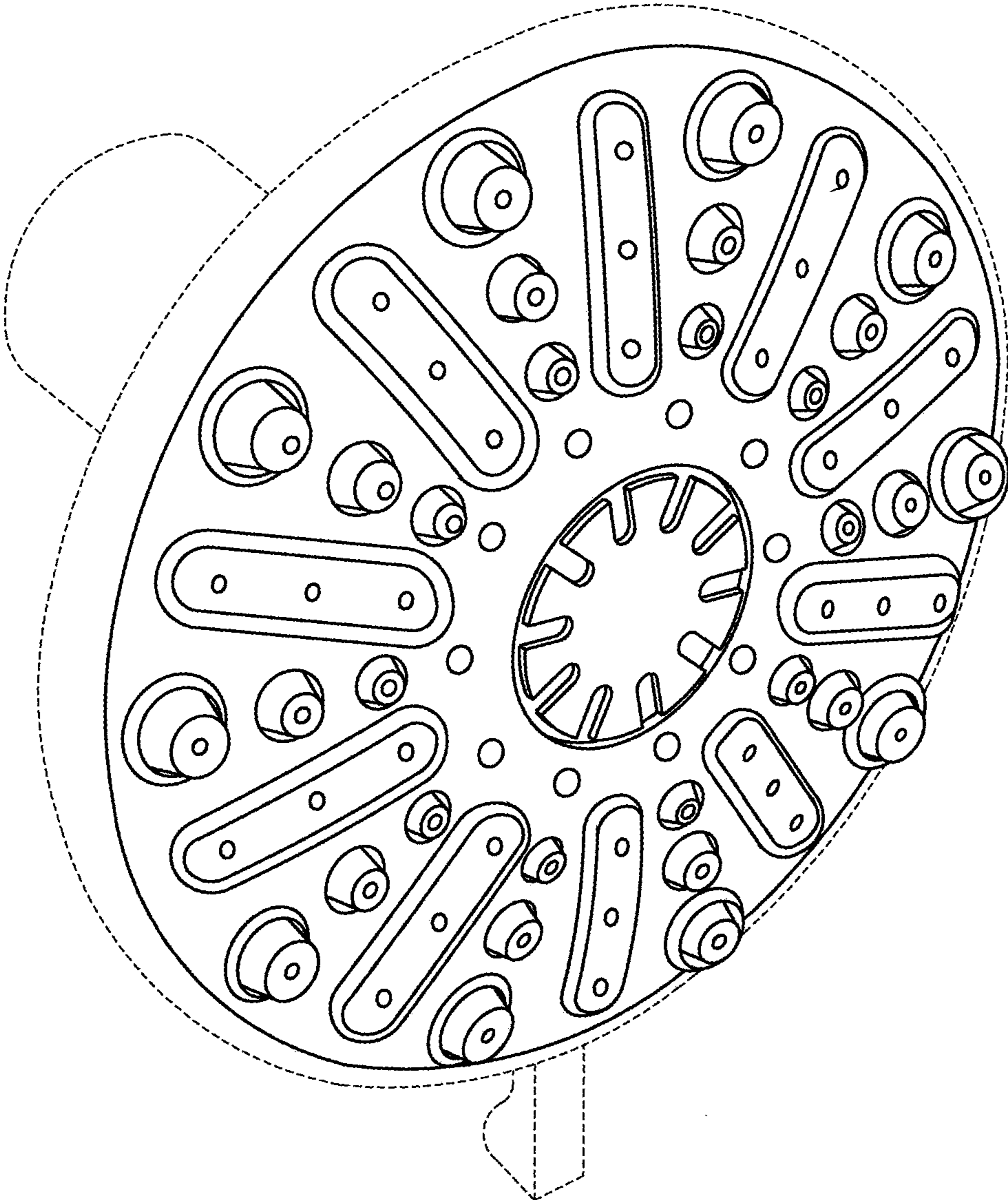


Fig. 1

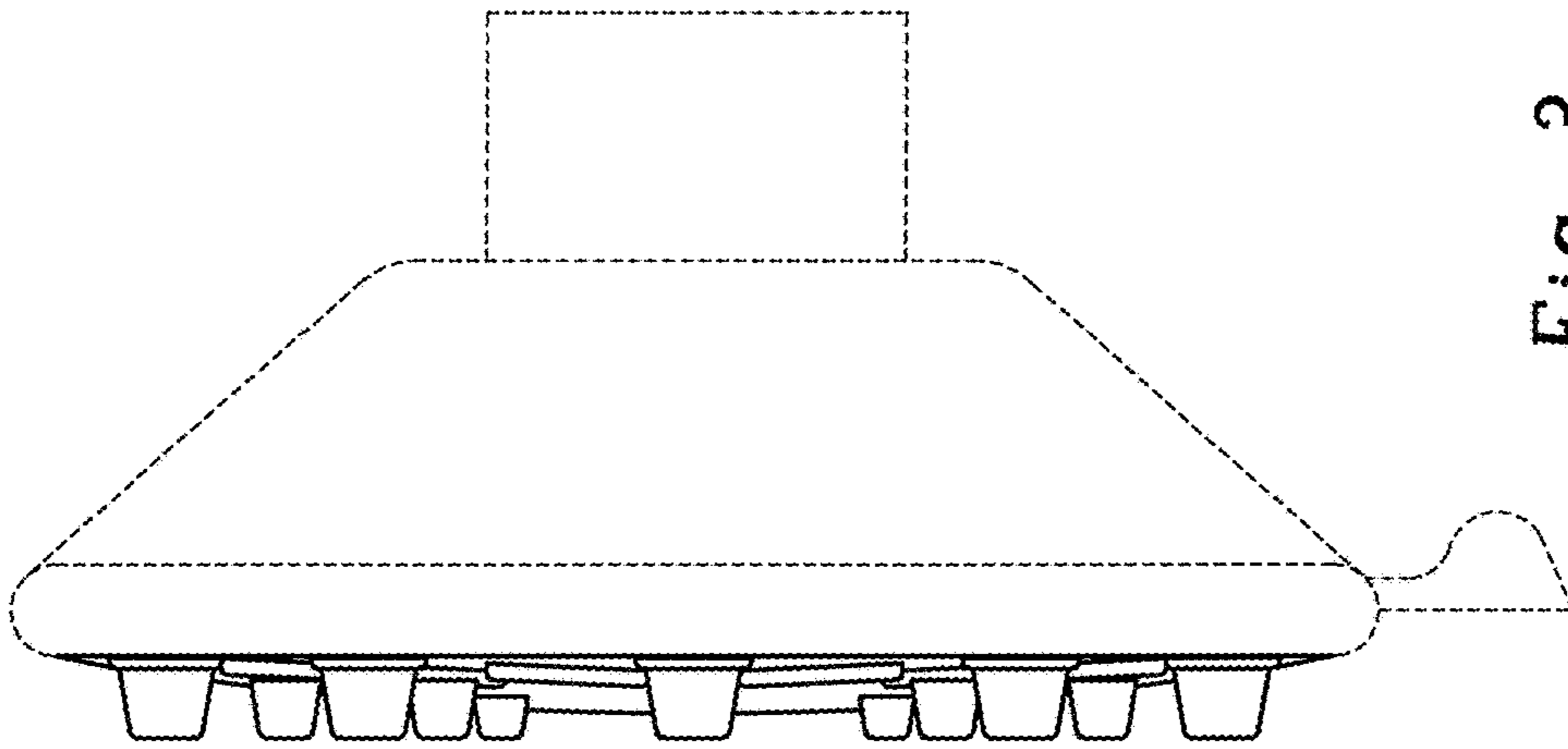


Fig. 3

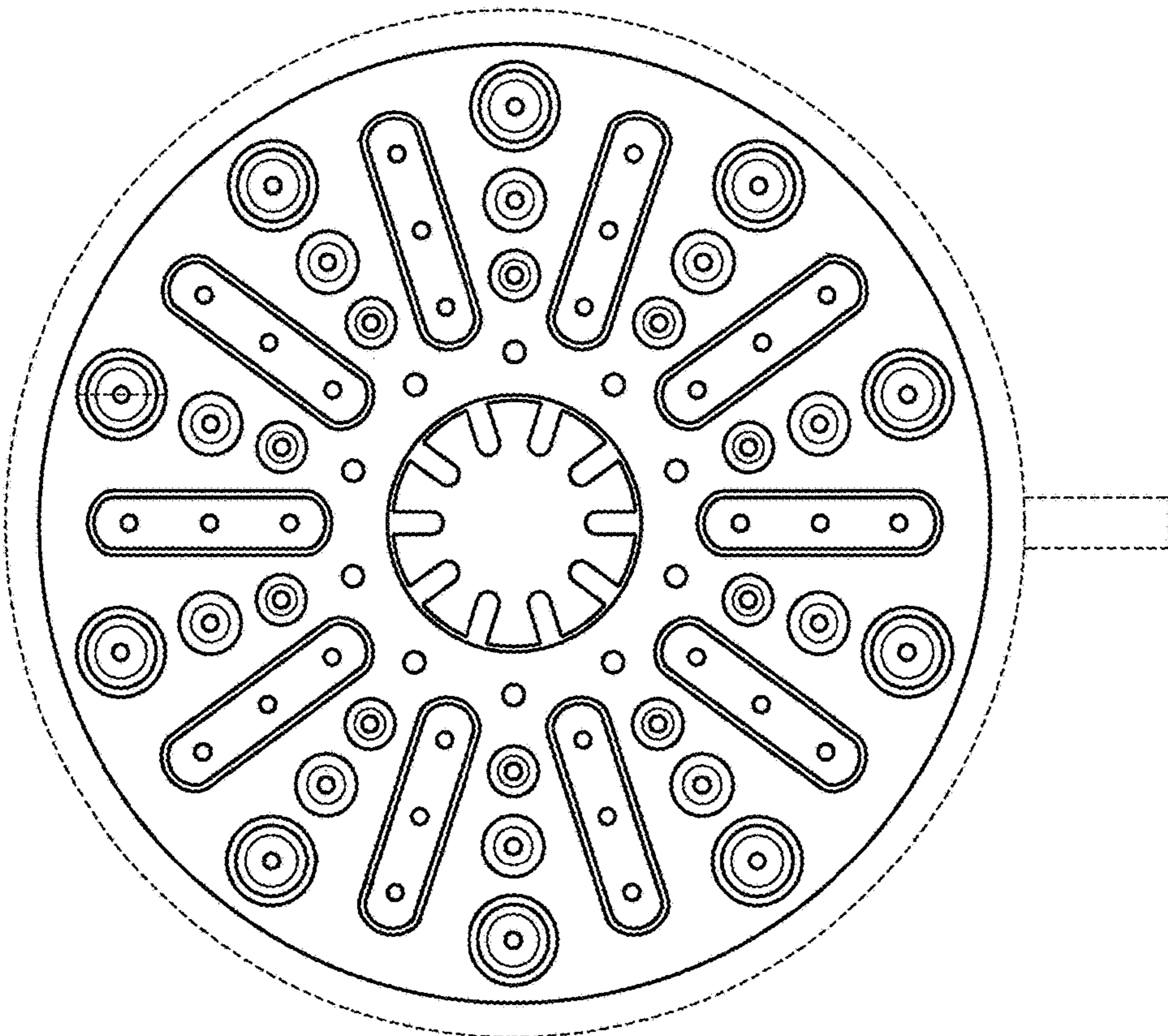


Fig. 2