



US00D864349S

(12) **United States Design Patent**
Persaud

(10) **Patent No.:** **US D864,349 S**
(45) **Date of Patent:** **** Oct. 22, 2019**

- (54) **ROD THAT TRAPS FISH SAFELY**
- (71) Applicant: **Gwenevere Persaud**, Winnetka, CA (US)
- (72) Inventor: **Gwenevere Persaud**, Winnetka, CA (US)
- (**) Term: **15 Years**
- (21) Appl. No.: **29/625,336**
- (22) Filed: **Nov. 8, 2017**
- (51) **LOC (12) Cl.** **22-05**
- (52) **U.S. Cl.**
USPC **D22/139**
- (58) **Field of Classification Search**
USPC D22/137-140; 43/25.2, 18.1 R, 18.5, 21, 43/18.1 CT, 18.1 HR, 26; 206/315.11; 220/685, 720, 683, 4.21; 242/396.9, 310
(Continued)

(56) **References Cited**

U.S. PATENT DOCUMENTS

- 3,762,592 A * 10/1973 Mayes A01K 89/00
220/4.21
- 4,673,143 A * 6/1987 Intengan A01K 89/08
242/396.9

(Continued)

Primary Examiner — Catherine R Oliver-Garcia

(57) **CLAIM**

The ornamental design for a rod that traps fish safely, as shown and described.

DESCRIPTION

FIG. 1 is a top perspective view of the first embodiment of the rod that traps fish safely, with a non-transparent container ball shown open with a visible control panel;
 FIG. 2 is a left elevation view thereof;
 FIG. 3 is a right elevation view thereof;

FIG. 4 is a rear view thereof;
 FIG. 5 is a front view thereof;
 FIG. 6 is a perspective view of the second embodiment, with a non-transparent container ball shown open with a visible control panel;
 FIG. 7 is a left elevation view thereof;
 FIG. 8 is a right elevation view thereof;
 FIG. 9 is a rear view thereof;
 FIG. 10 is a front view thereof;
 FIG. 11 is a bottom perspective view of the third embodiment, with a non-transparent container ball shown open and a visible control panel;
 FIG. 12 is a left elevation view thereof;
 FIG. 13 is a right elevation view thereof;
 FIG. 14 is a rear view thereof;
 FIG. 15 is a front view thereof;
 FIG. 16 is a top perspective view of a fourth embodiment, with a non-transparent container ball shown open with a visible control panel;
 FIG. 17 is a left elevation view thereof;
 FIG. 18 is a right elevation view thereof;
 FIG. 19 is a rear view thereof;
 FIG. 20 is a front view thereof;
 FIG. 21 is a side perspective view of the fifth embodiment, with a non-transparent container ball shown closed and a visible control panel;
 FIG. 22 is a left elevation view thereof;
 FIG. 23 is a right elevation view thereof;
 FIG. 24 is a rear view thereof;
 FIG. 25 is a front view thereof;
 FIG. 26 is a bottom perspective view of the sixth embodiment, with a non-transparent container ball shown open with a visible control panel;
 FIG. 27 is a left elevation view thereof;
 FIG. 28 is a right elevation view thereof;
 FIG. 29 is a rear view thereof;
 FIG. 30 is a front view thereof;
 FIG. 31 is a right perspective view of the seventh embodiment, with a non-transparent container ball shown open with a rod for bait;
 FIG. 32 is a left elevation view thereof;
 FIG. 33 is a right elevation view thereof;
 FIG. 34 is a rear view thereof;

(Continued)

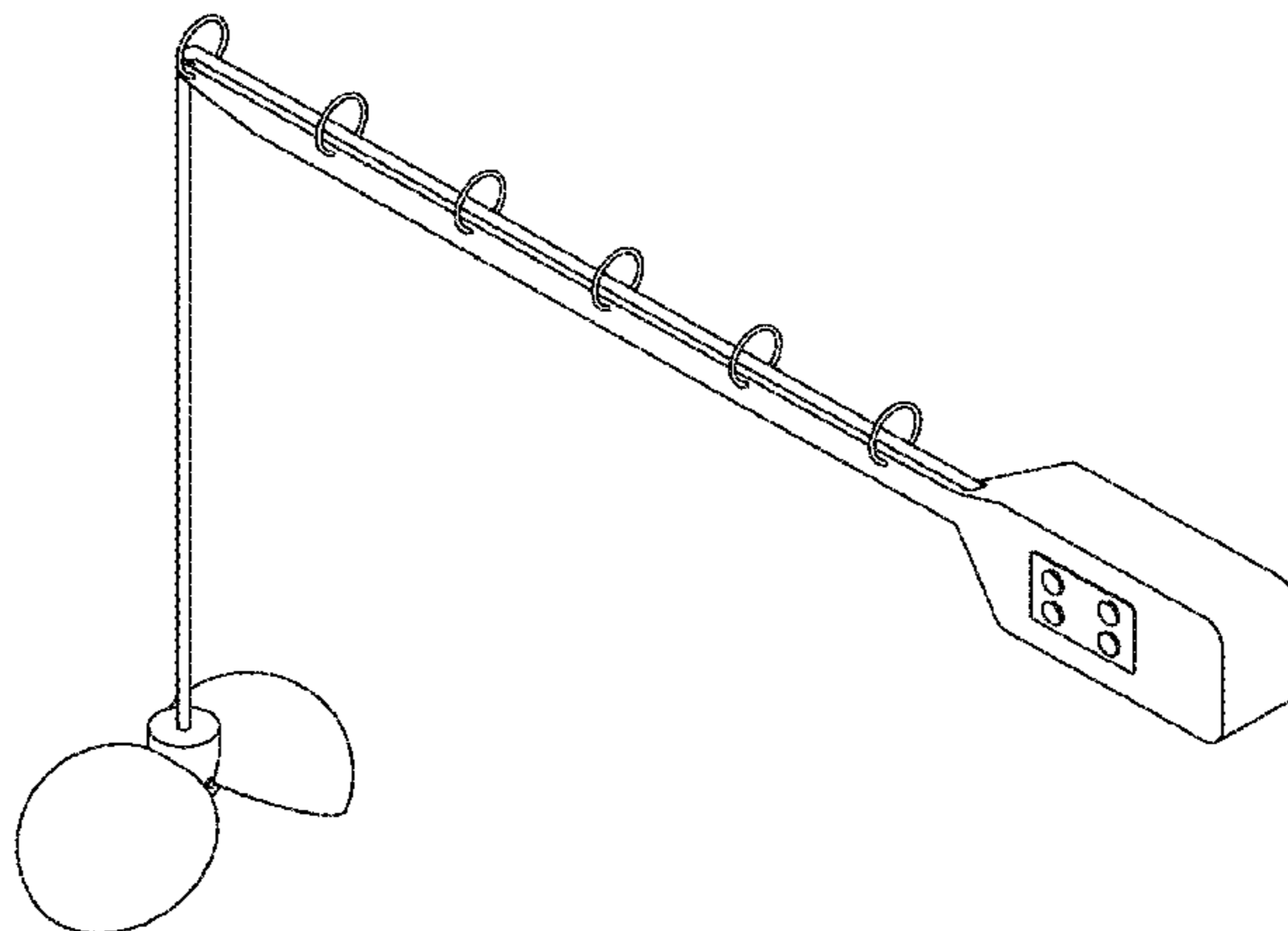


FIG. 35 is a front view thereof;
 FIG. 36 is a right perspective view of the eighth embodiment with a non-transparent container ball shown open and with a visible control panel;
 FIG. 37 is a left elevation view thereof;
 FIG. 38 is a right elevation view thereof;
 FIG. 39 is a rear view thereof;
 FIG. 40 is a front view thereof;
 FIG. 41 is a right perspective view of the ninth embodiment with a transparent container ball shown open with a visible control panel;
 FIG. 42 is a left elevation view thereof;
 FIG. 43 is a right elevation view thereof;
 FIG. 44 is a rear view thereof;
 FIG. 45 is a front view thereof;
 FIG. 46 is a right perspective view of the tenth embodiment with a transparent container ball shown open, and a transparent handle with long rod;
 FIG. 47 is a left elevation view thereof;
 FIG. 48 is a right elevation view thereof;
 FIG. 49 is a rear view thereof;
 FIG. 50 is a front view thereof;
 FIG. 51 shows an enlarged view of the transparent handle shown in FIG. 46;
 FIG. 52 is an enlarged left view of the transparent handle shown in FIGS. 46-50;
 FIG. 53 is an enlarged right view of the transparent handle shown in FIGS. 46-50;
 FIG. 54 is an enlarged rear view of the transparent handle shown in FIGS. 46-50;
 FIG. 55 is an enlarged front view of the transparent handle shown in FIGS. 46-50;
 FIG. 56 is a right perspective view of the eleventh embodiment with a non-transparent container ball shown open with a visible control panel and an external reel;
 FIG. 57 is a left elevation view thereof;
 FIG. 58 is a right elevation view thereof;
 FIG. 59 is a rear view thereof;
 FIG. 60 is a front view thereof;
 FIG. 61 is an enlarged view of the handle an external reel of the eleventh embodiment;
 FIG. 62 is an enlarged rear view thereof;
 FIG. 63 is an enlarged front view thereof;
 FIG. 64 is a right perspective of the twelfth embodiment with a non-transparent container ball shown closed with a visible control panel;
 FIG. 65 is a left elevation view thereof;
 FIG. 66 is a right elevation view thereof;

FIG. 67 is a rear view thereof;
 FIG. 68 is a front view thereof;
 FIG. 69 is a right perspective view of the thirteenth embodiment with no control panel and with a non-transparent container ball which is closed;
 FIG. 70 is a left elevation view thereof;
 FIG. 71 is a right elevation view thereof;
 FIG. 72 is a rear view thereof; and,
 FIG. 73 is a front view thereof.

It is understood that the container ball has the ability to be opened or closed in any embodiment of the invention, and that every embodiment of the invention, with a closed container ball or opened container ball, is within the scope of the present invention. All embodiments of the invention have the same basic shape and visual appearance.

1 Claim, 58 Drawing Sheets

(58) **Field of Classification Search**

CPC A01K 87/00; A01K 87/02; A01K 89/00;
 A01K 89/08; A01K 89/01916; A01K
 89/0102; A01K 89/006; A01K 97/06;
 A01K 89/015; E06B 9/322

See application file for complete search history.

(56) **References Cited**

U.S. PATENT DOCUMENTS

D301,601	S *	6/1989	Bice	D22/137
4,873,780	A *	10/1989	Lancette	A01K 87/00 43/25.2
D330,065	S *	10/1992	Debreczeni	D22/138
D407,136	S *	3/1999	Merrill	D22/137
6,016,982	A *	1/2000	Asano	A01K 89/01916 242/310
D466,580	S *	12/2002	Lu	D22/137
6,725,595	B1 *	4/2004	Chapman	A01K 89/0102 43/18.1 HR
7,055,280	B2	6/2006	Shen	
7,374,496	B2	5/2008	Grant et al.	
8,978,288	B2	3/2015	Olson	
9,137,977	B2	9/2015	Davidson	
D750,195	S *	2/2016	Leffler	D22/137
D793,519	S *	8/2017	Grammond	D22/138
D805,160	S *	12/2017	Goldy	D22/138
2008/0083512	A1 *	4/2008	Hsu	E06B 9/322 160/170
2016/0037760	A1 *	2/2016	Melvin	A01K 97/06 43/25.2

* cited by examiner

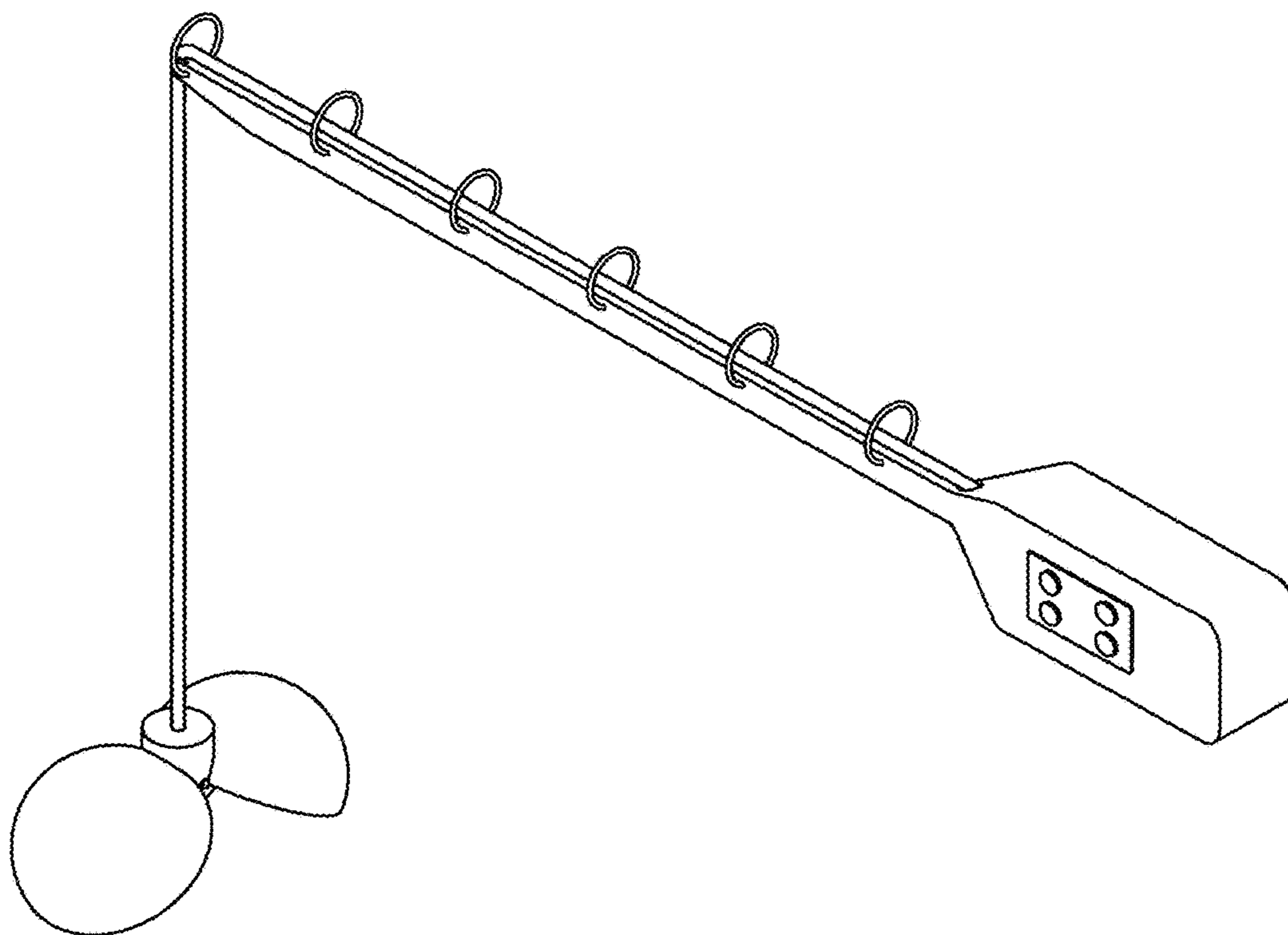


FIG. 1

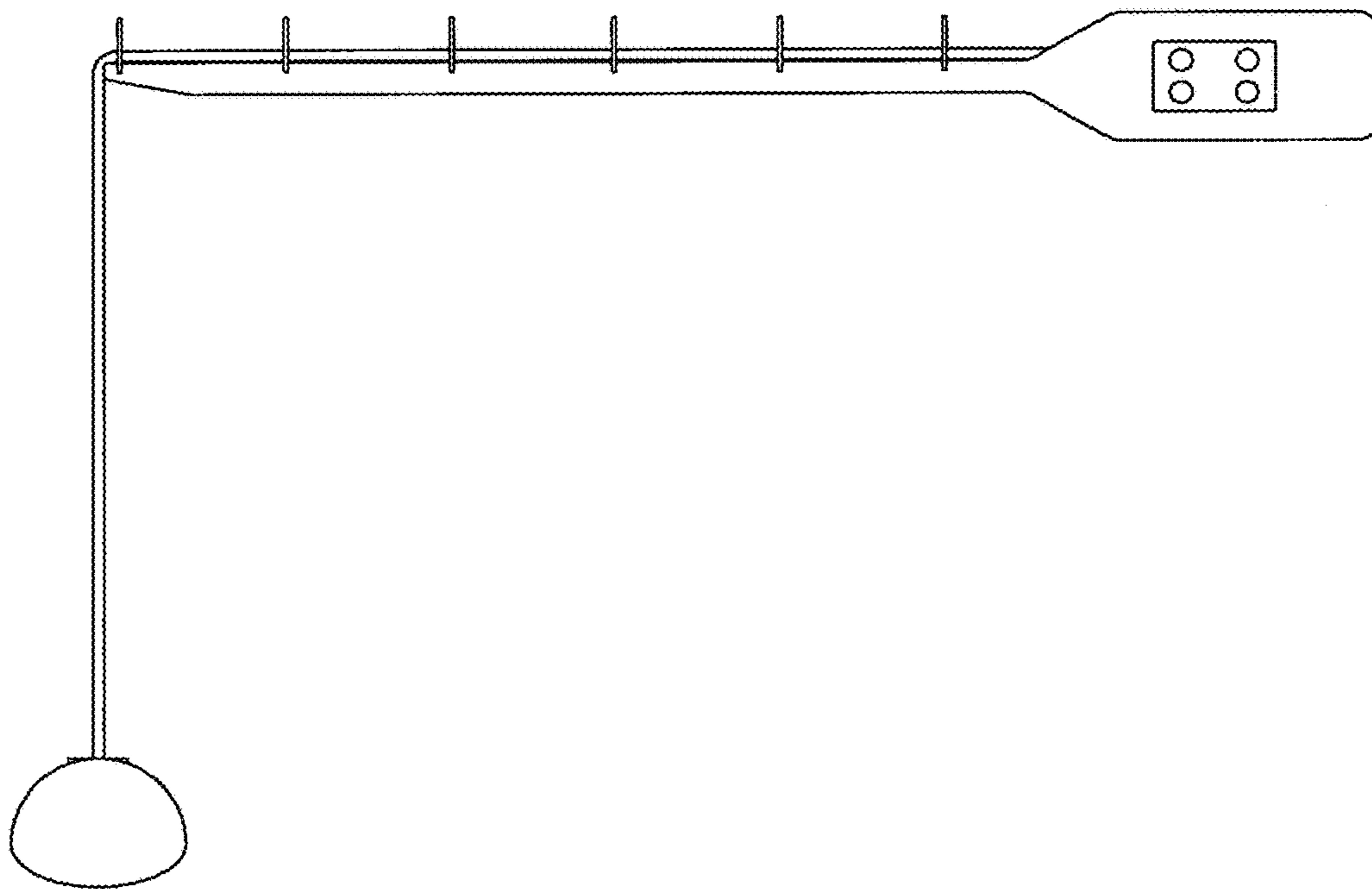


FIG. 2

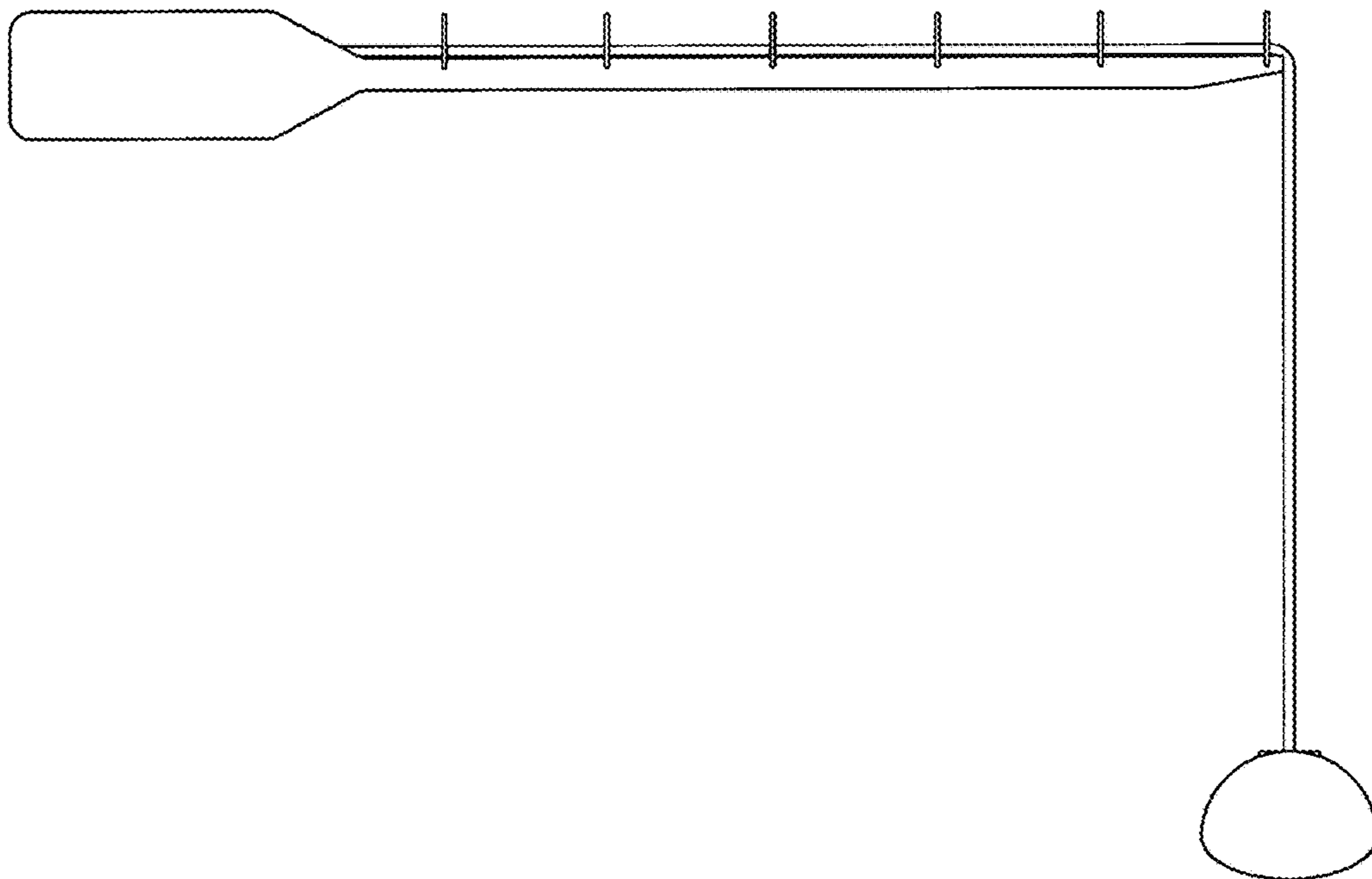


FIG. 3

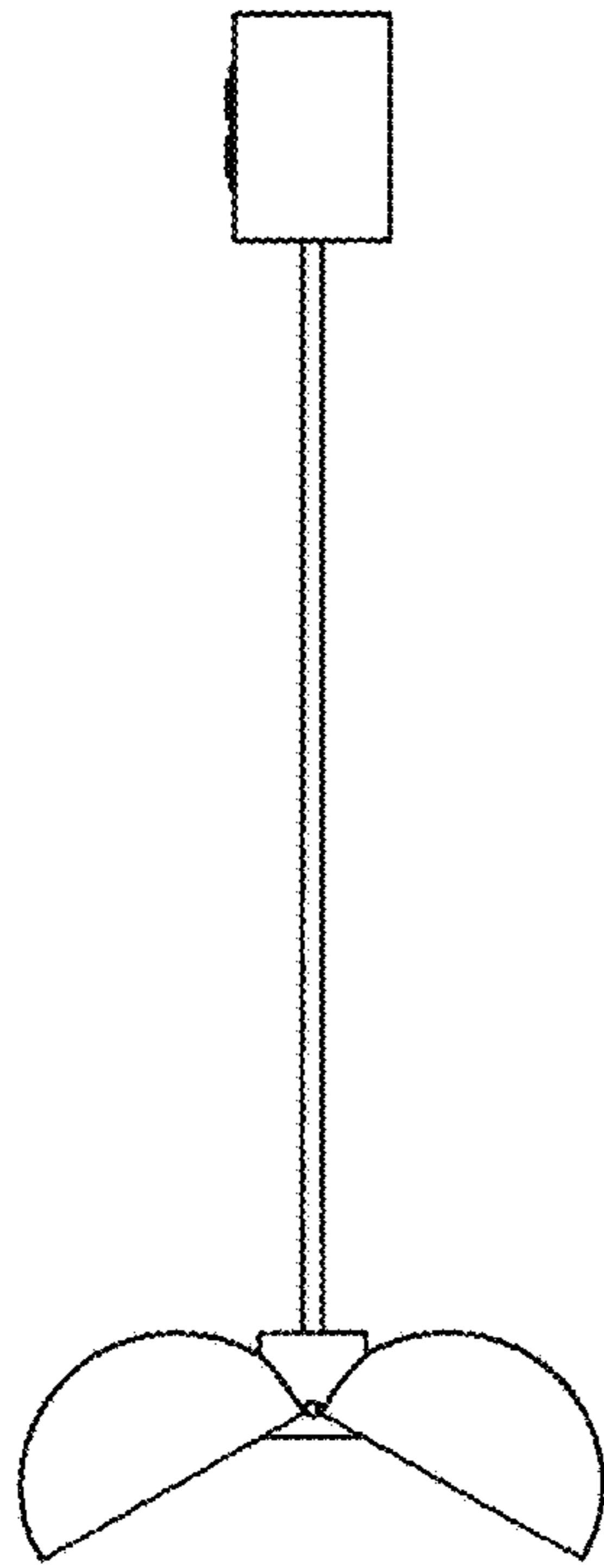


FIG. 4

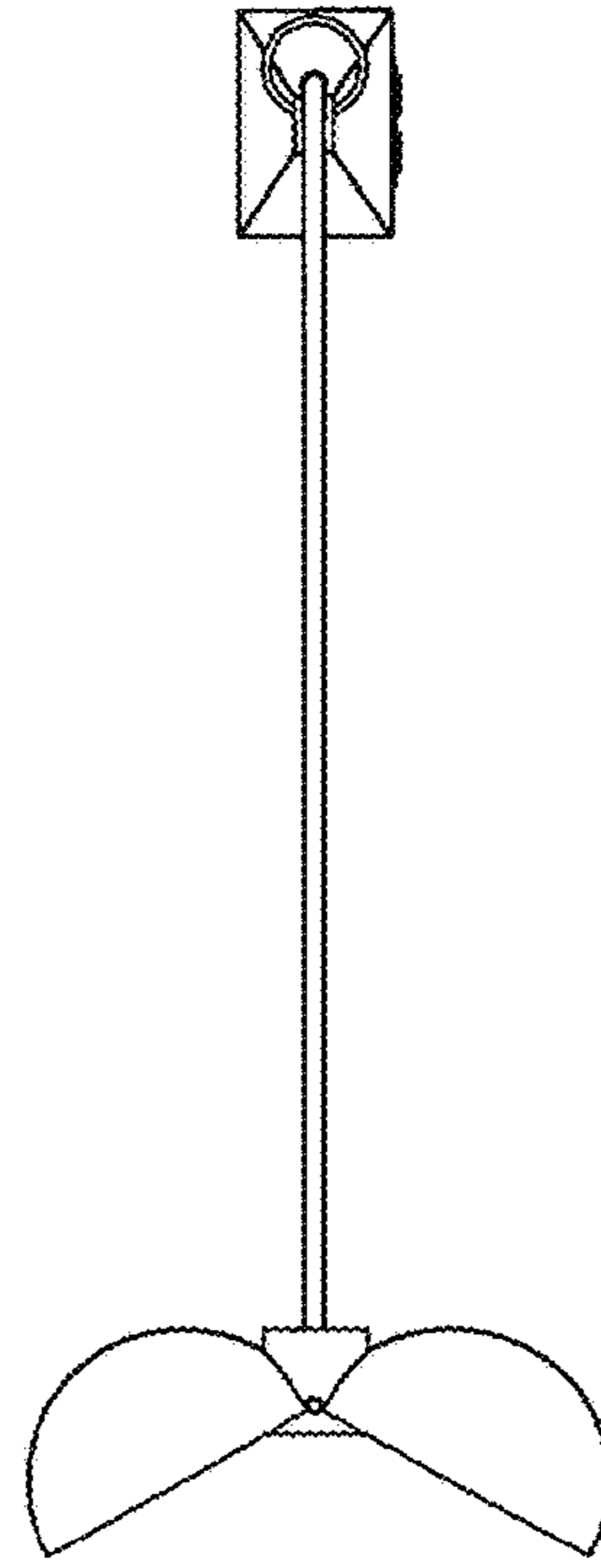


FIG. 5

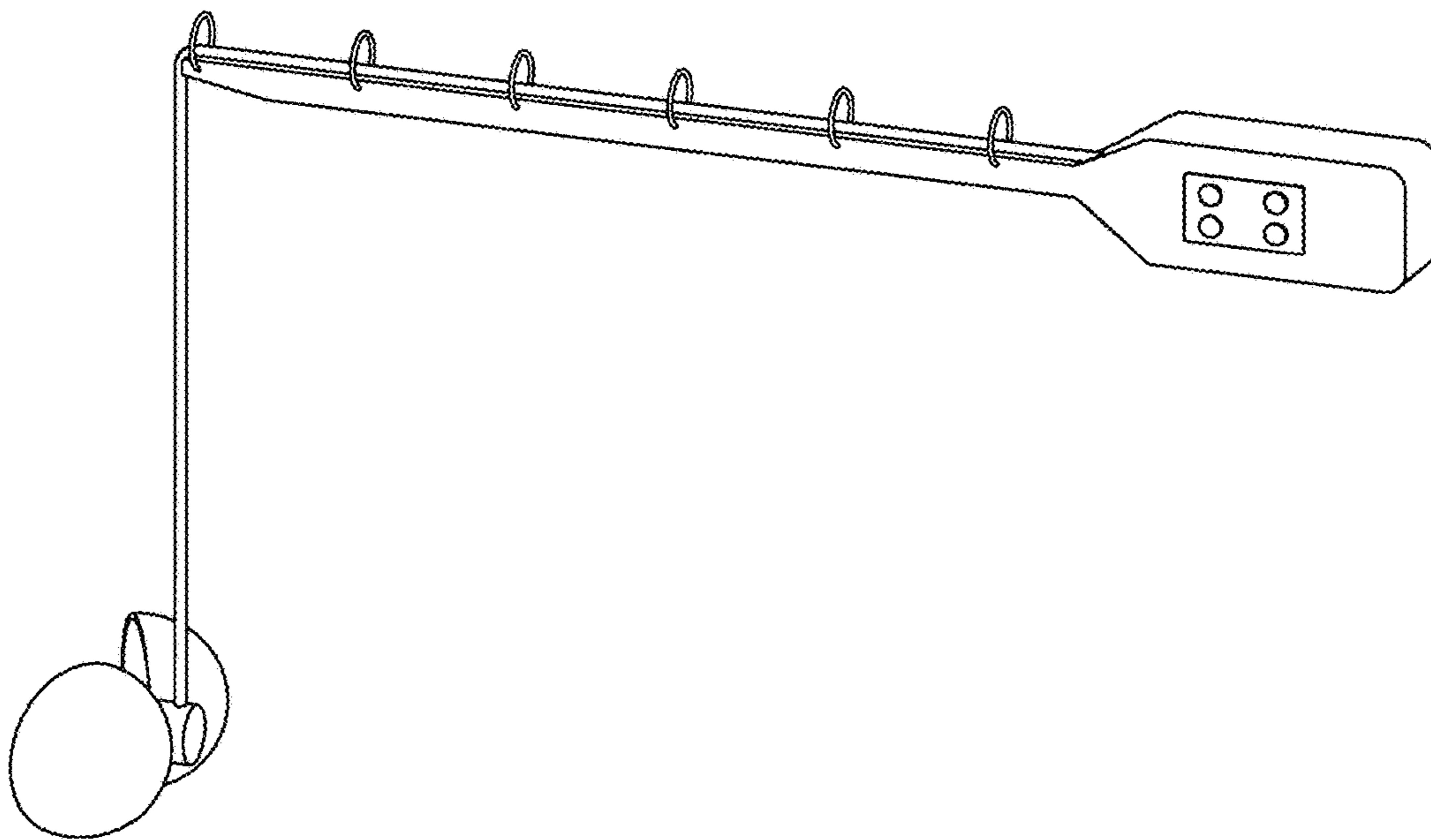


FIG. 6

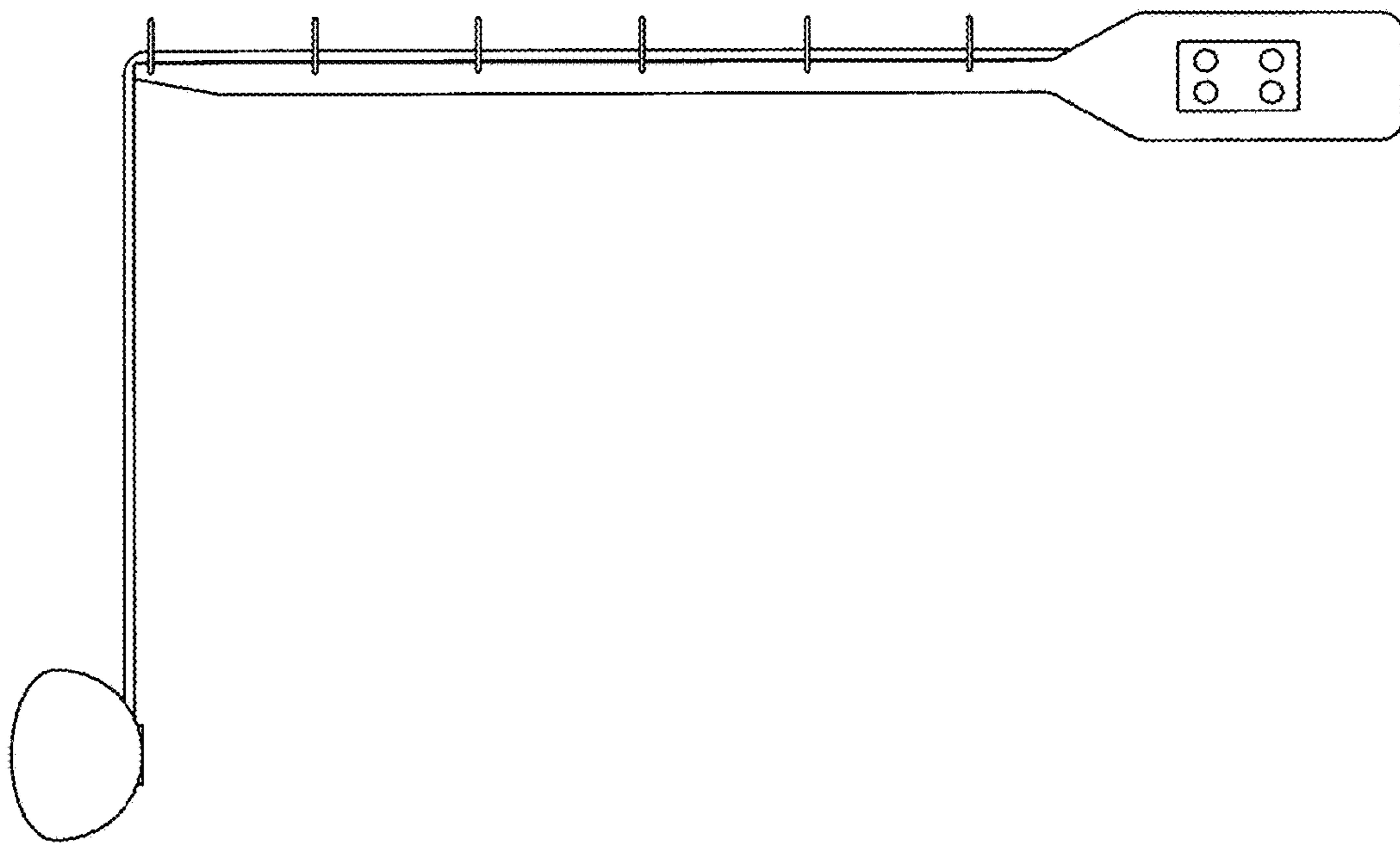


FIG. 7

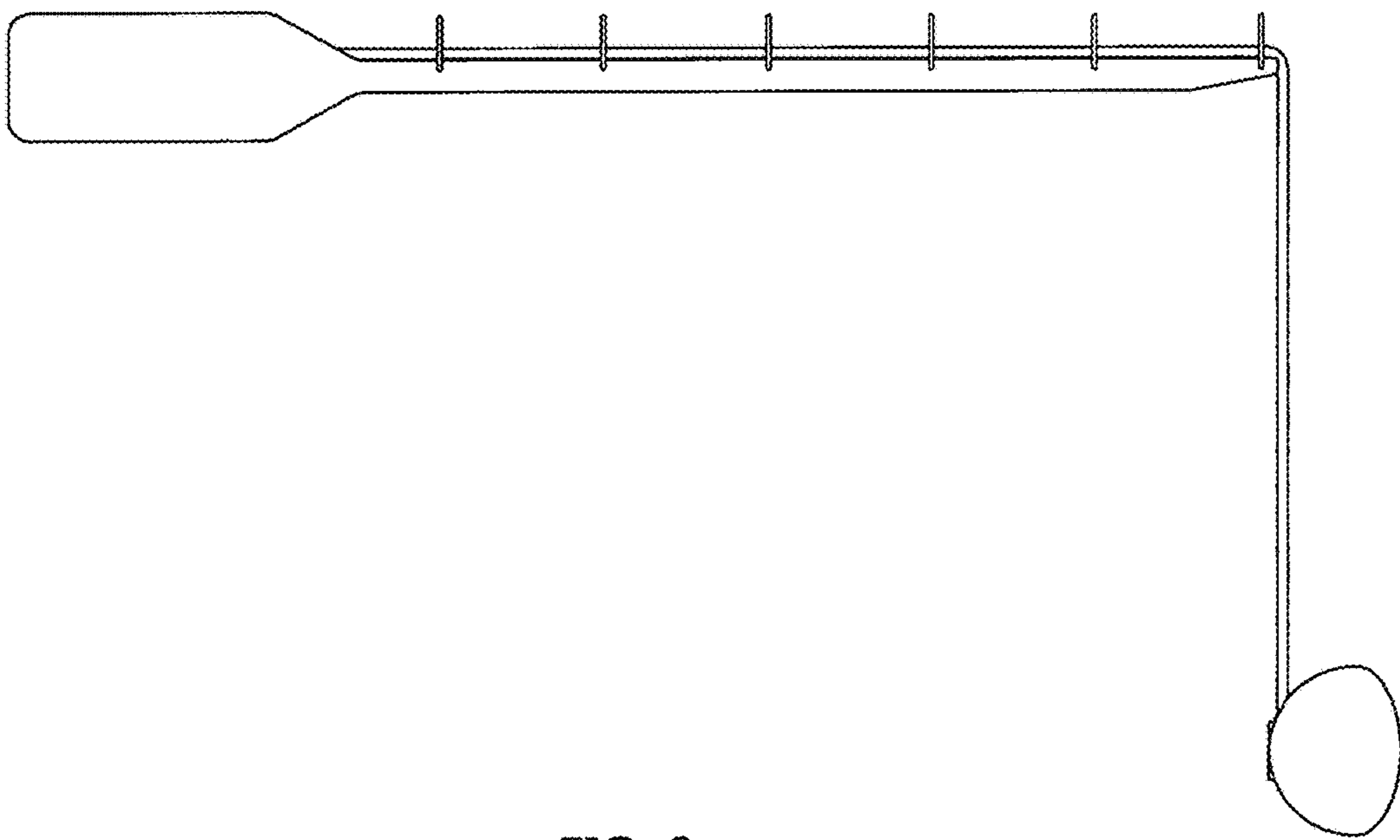


FIG. 8

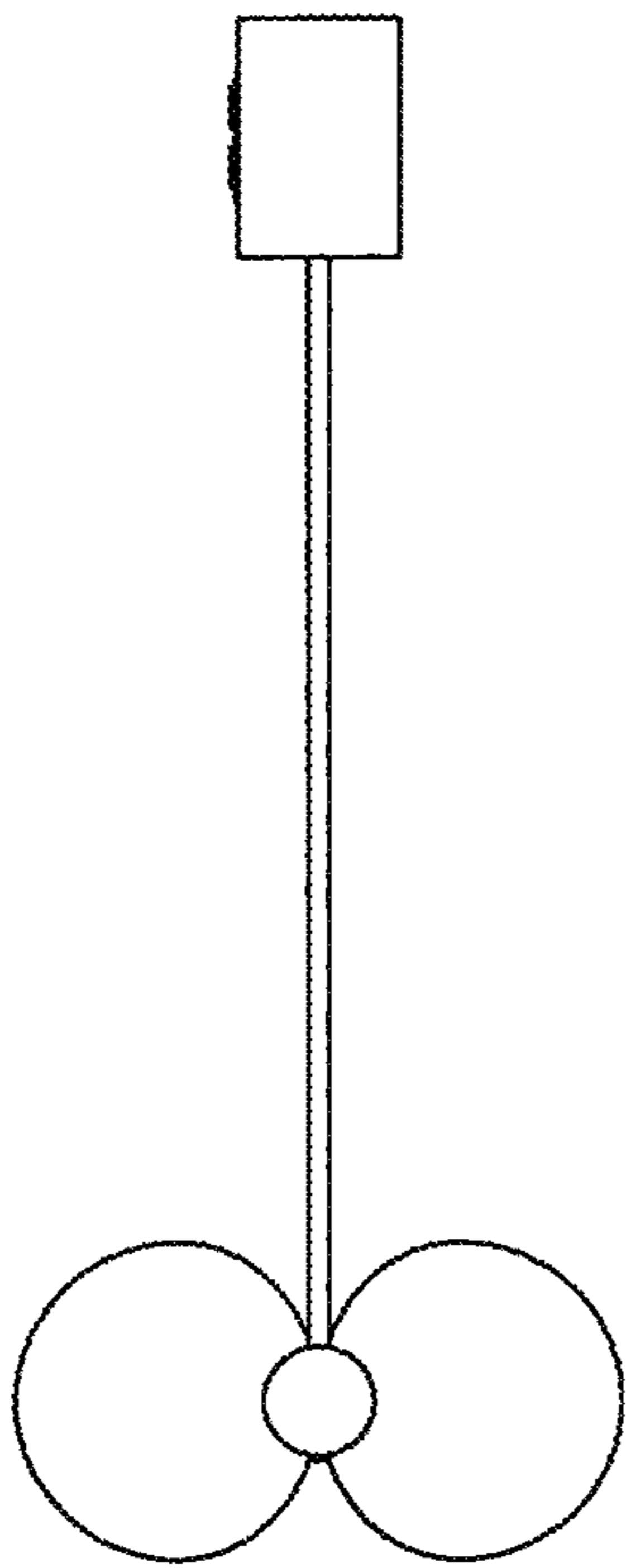


FIG. 9

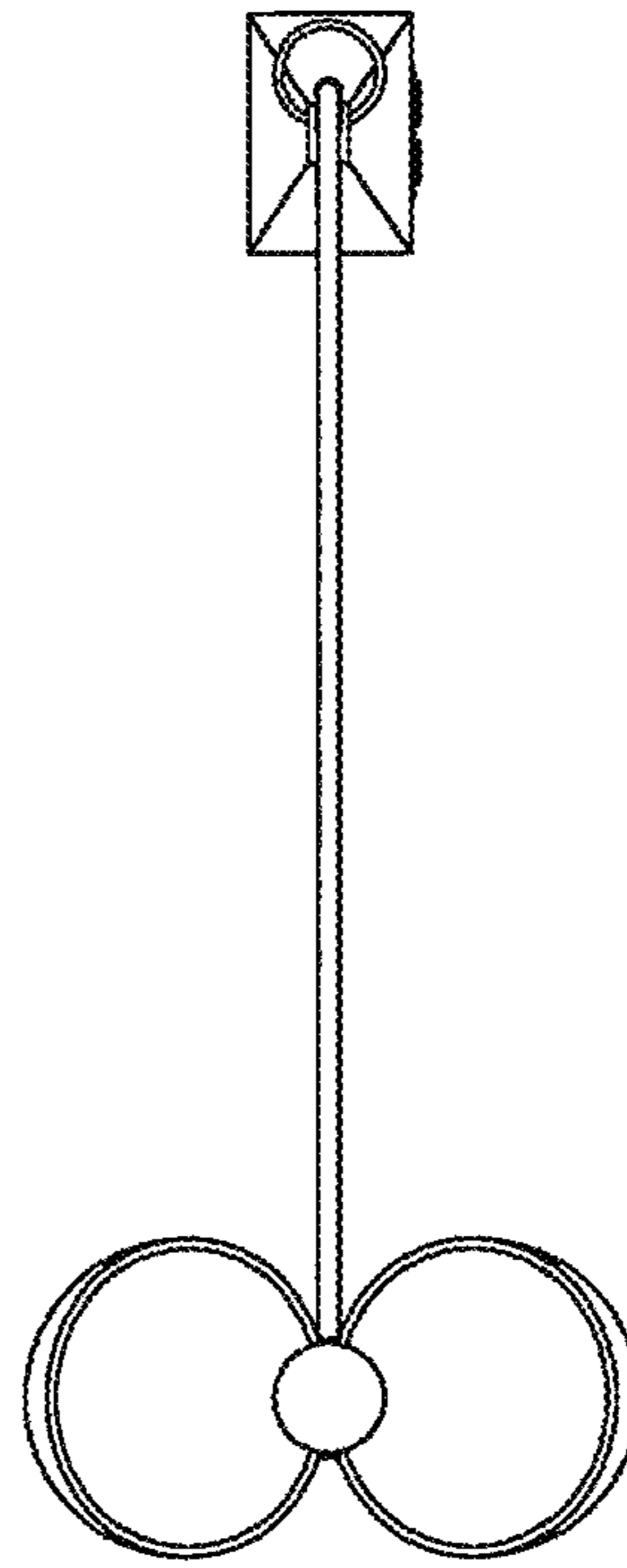


FIG. 10

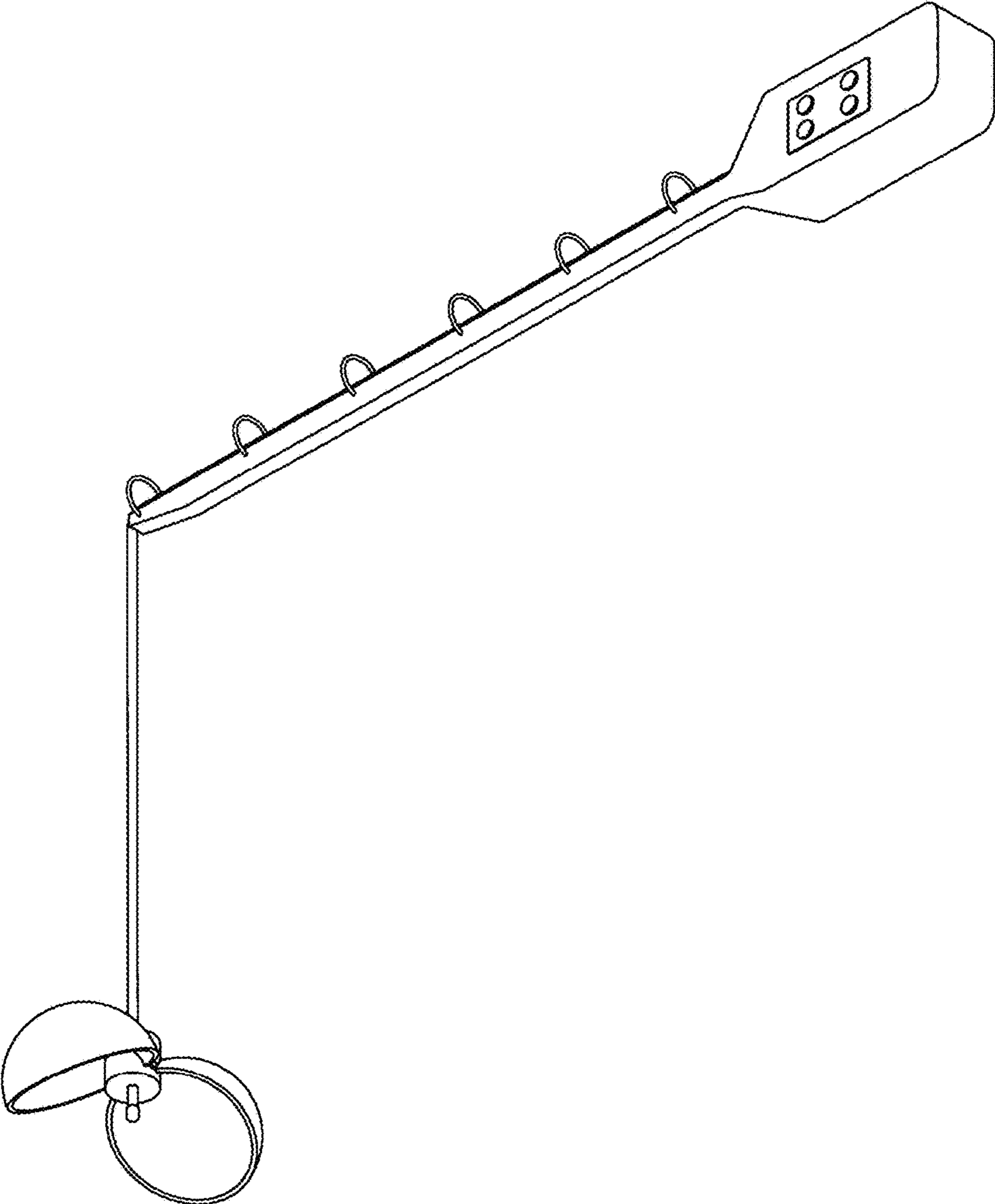


FIG. 11

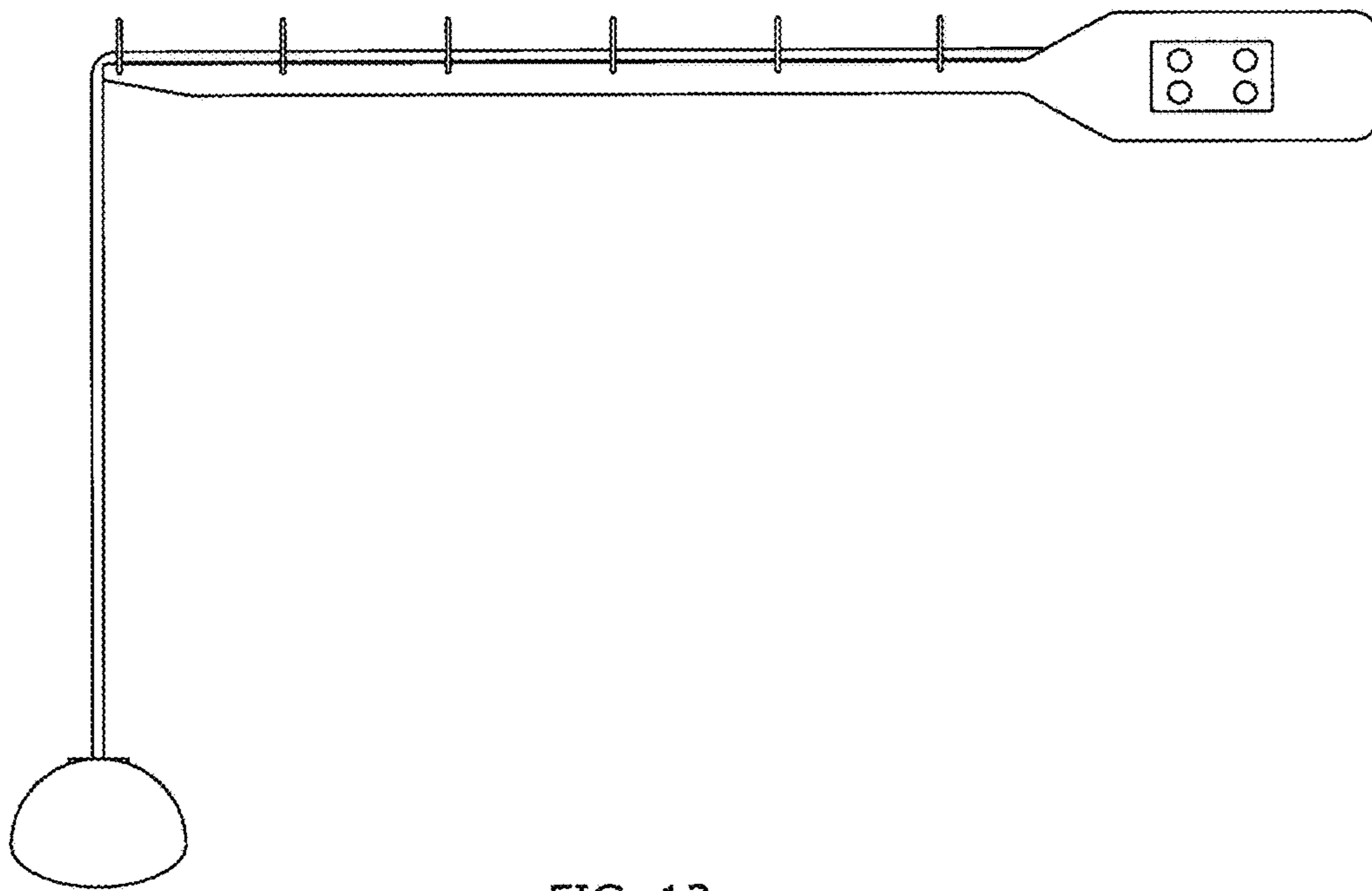


FIG. 12

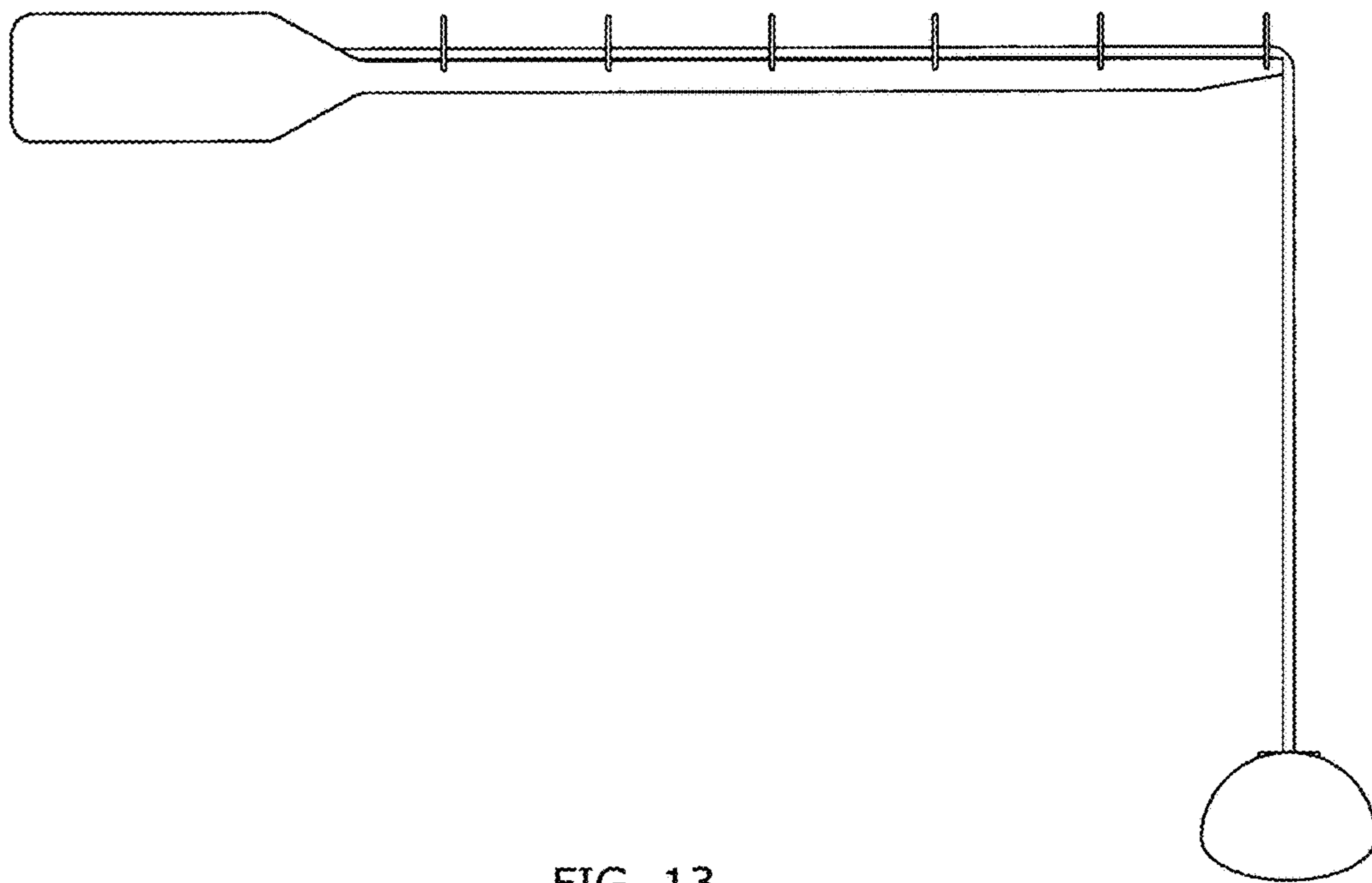


FIG. 13

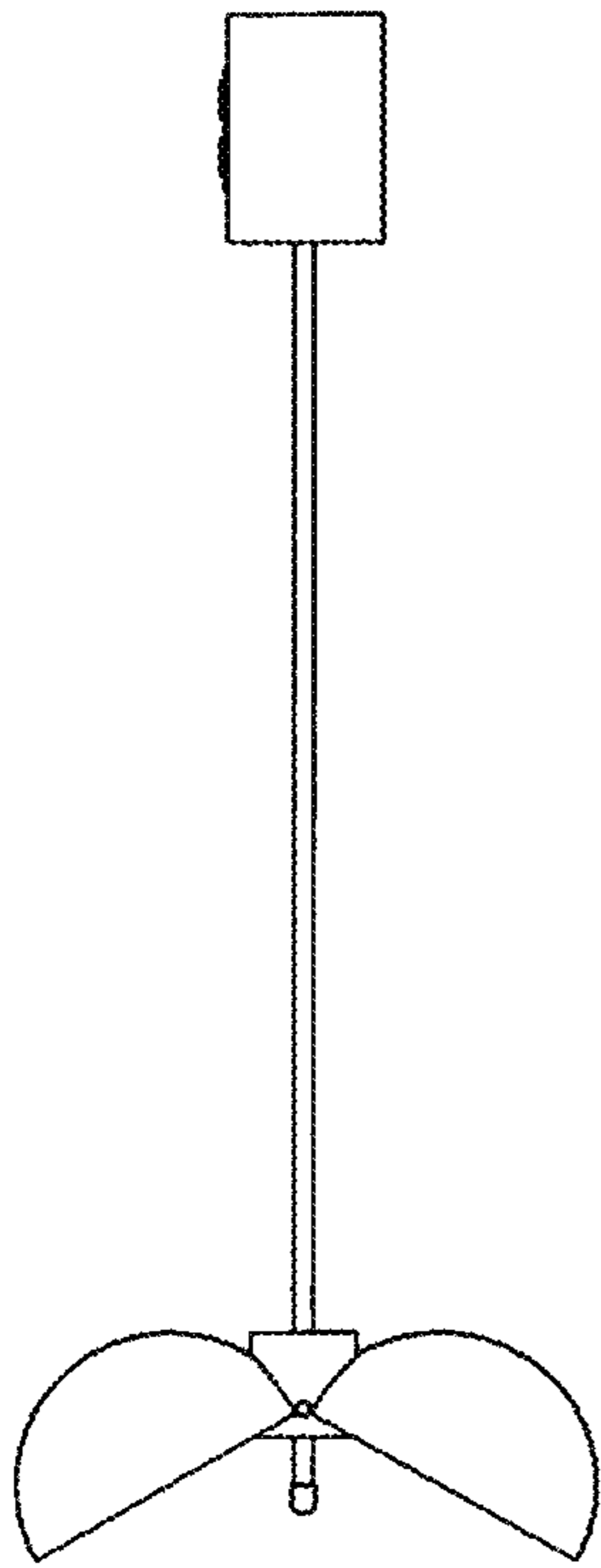


FIG. 14

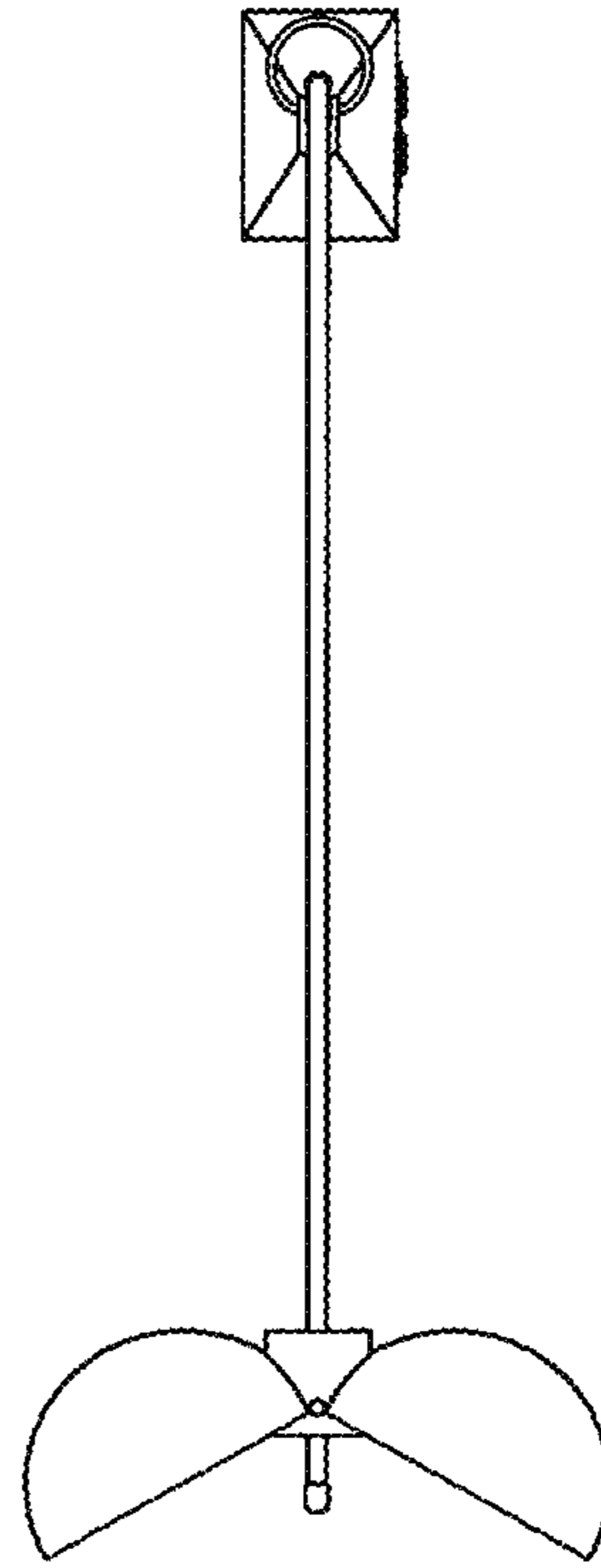


FIG. 15

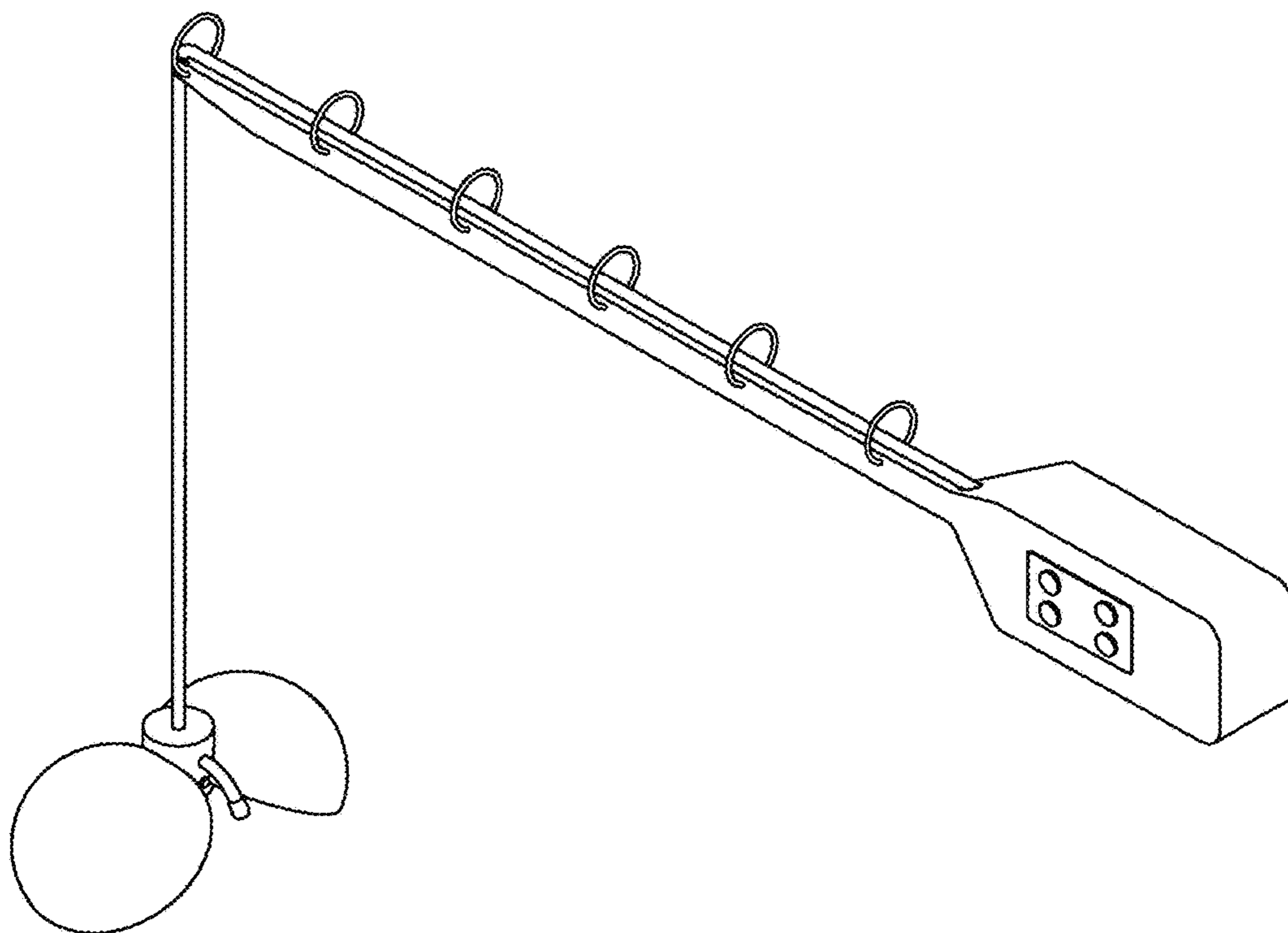


FIG. 16

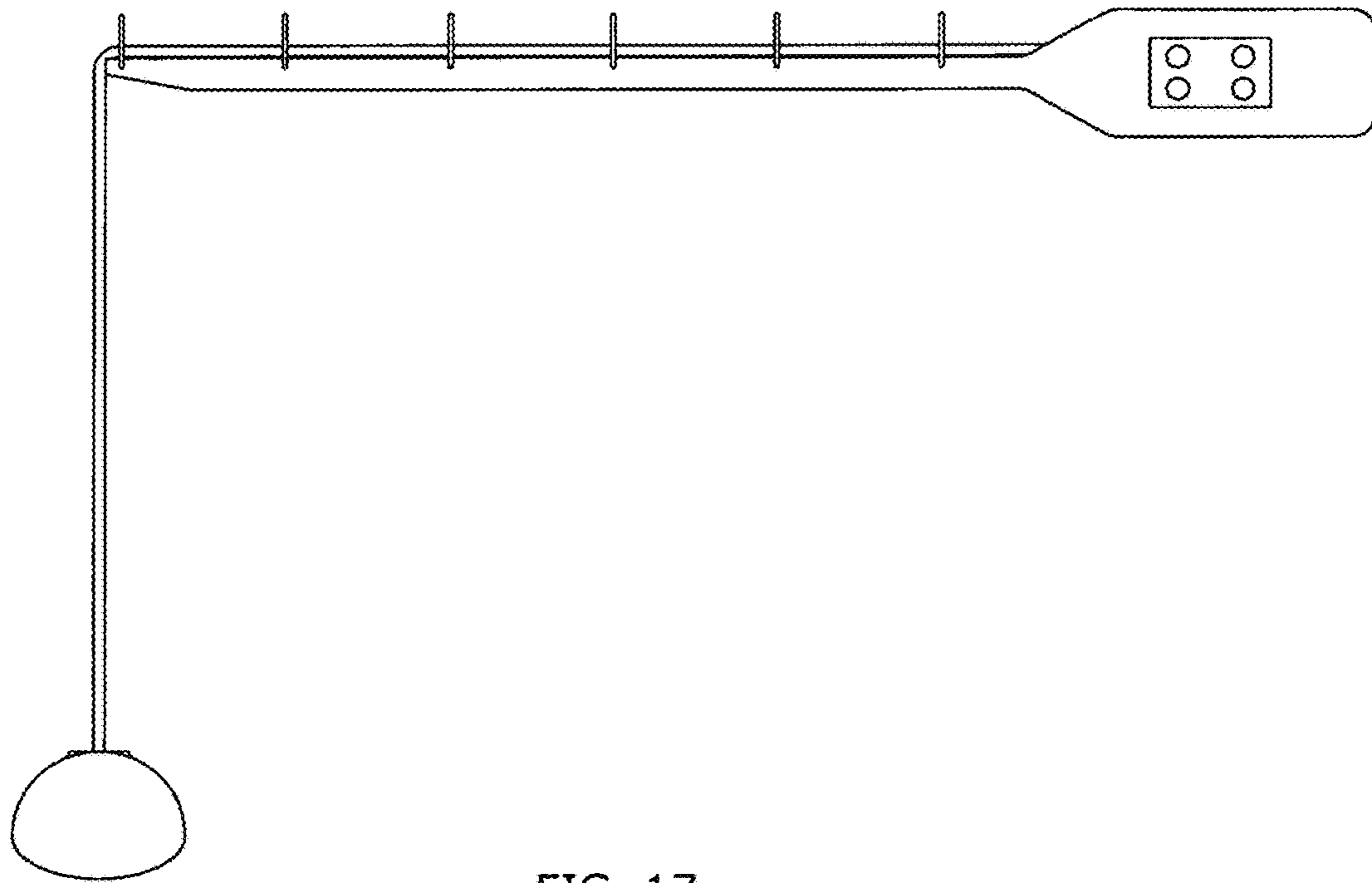


FIG. 17

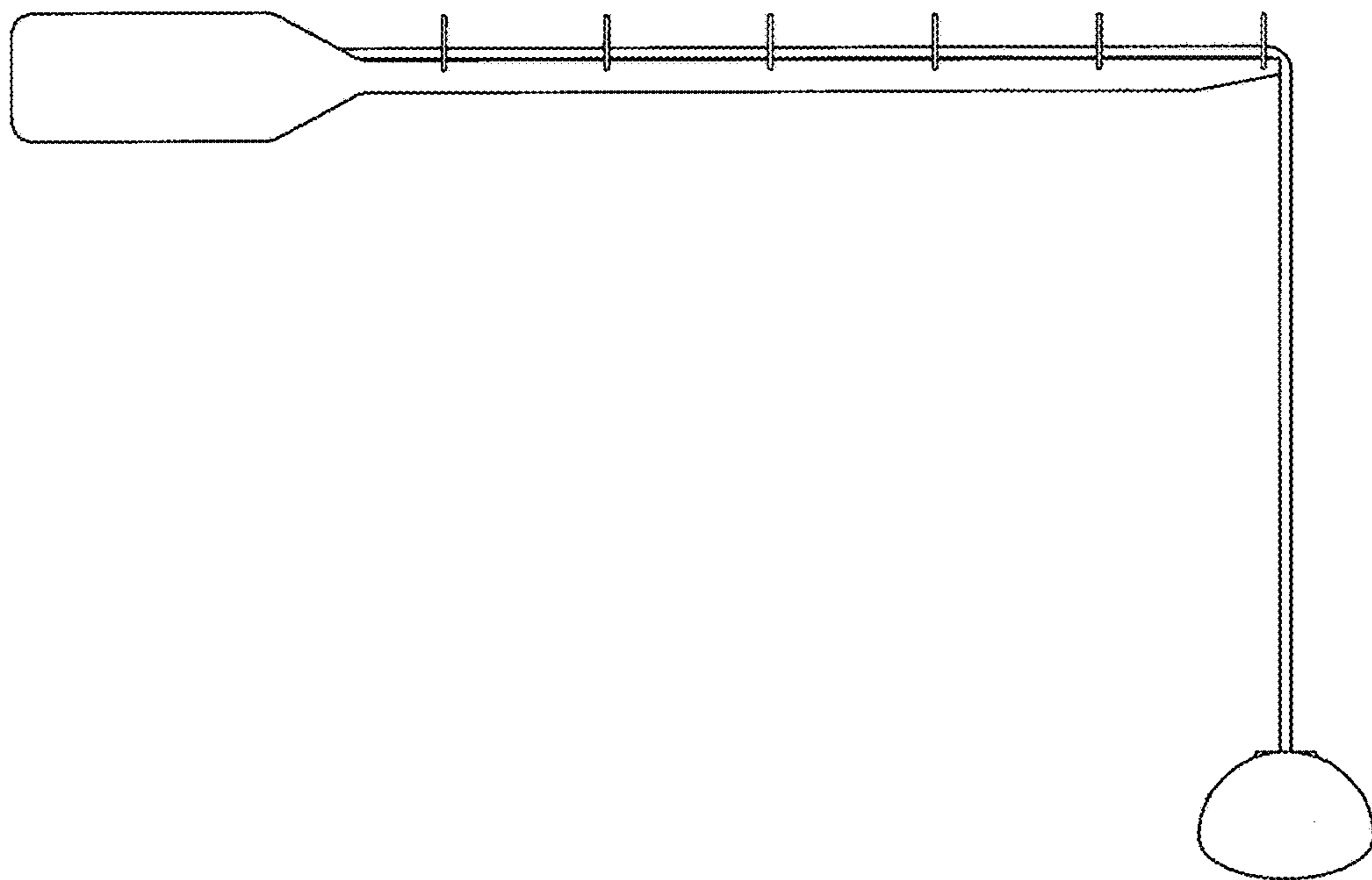


FIG. 18

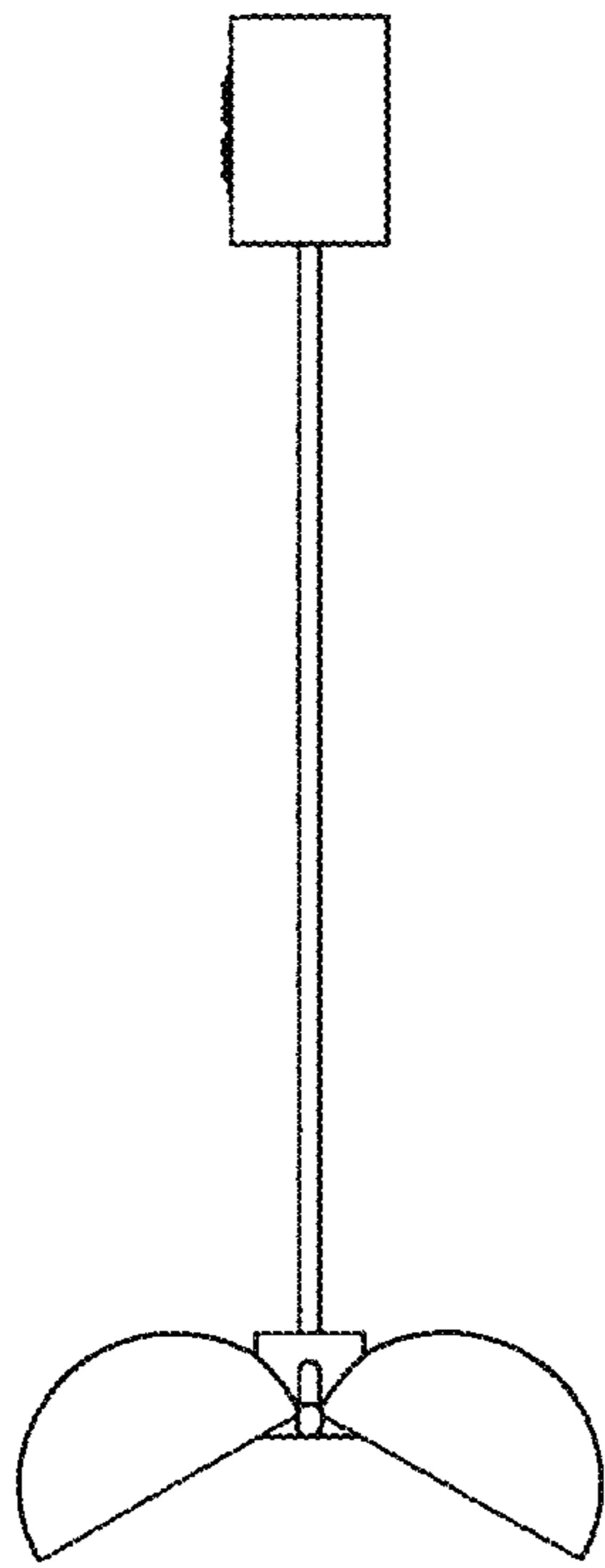


FIG. 19

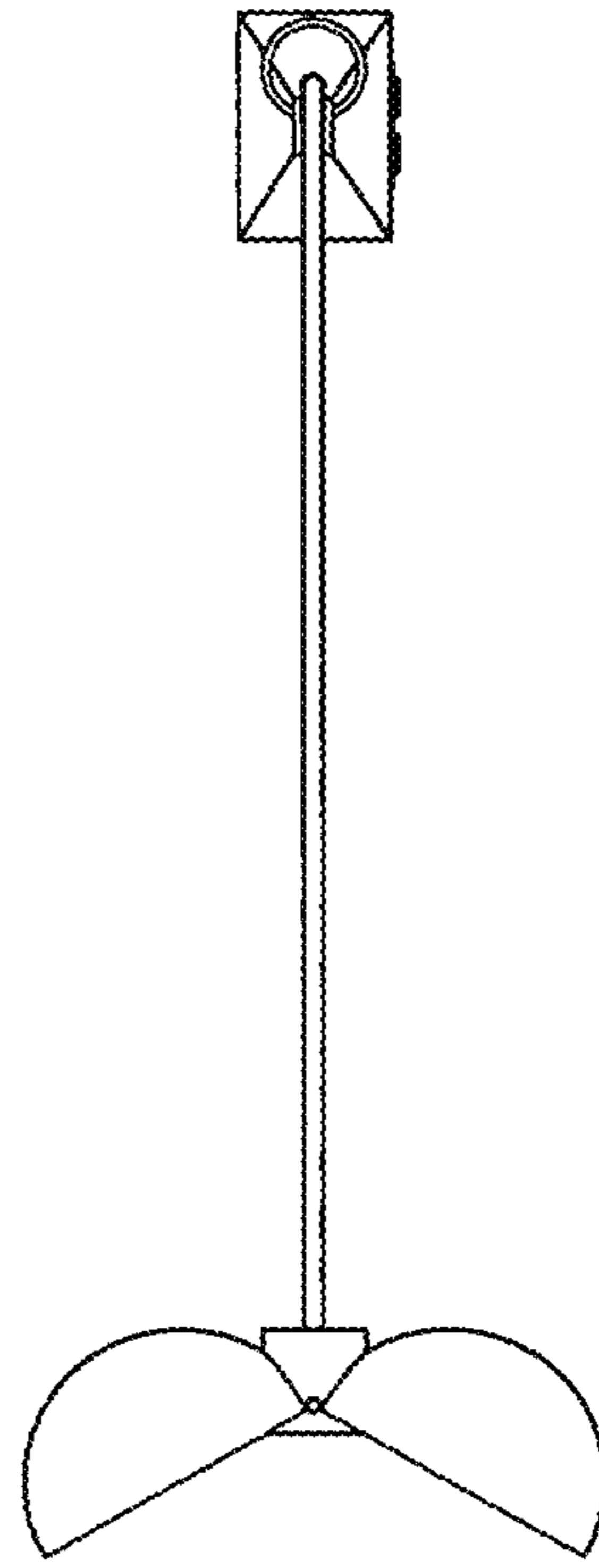


FIG. 20

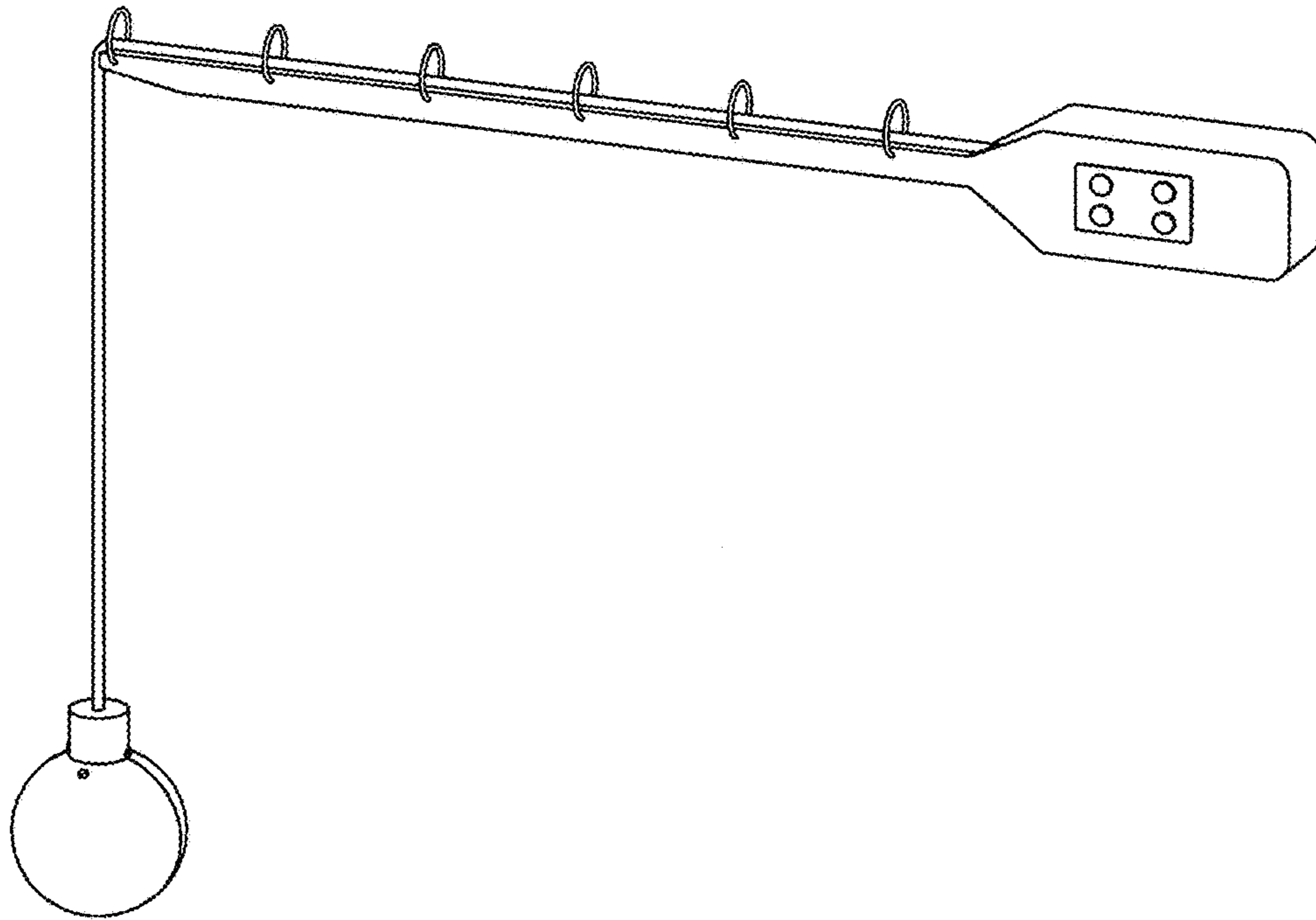


FIG. 21

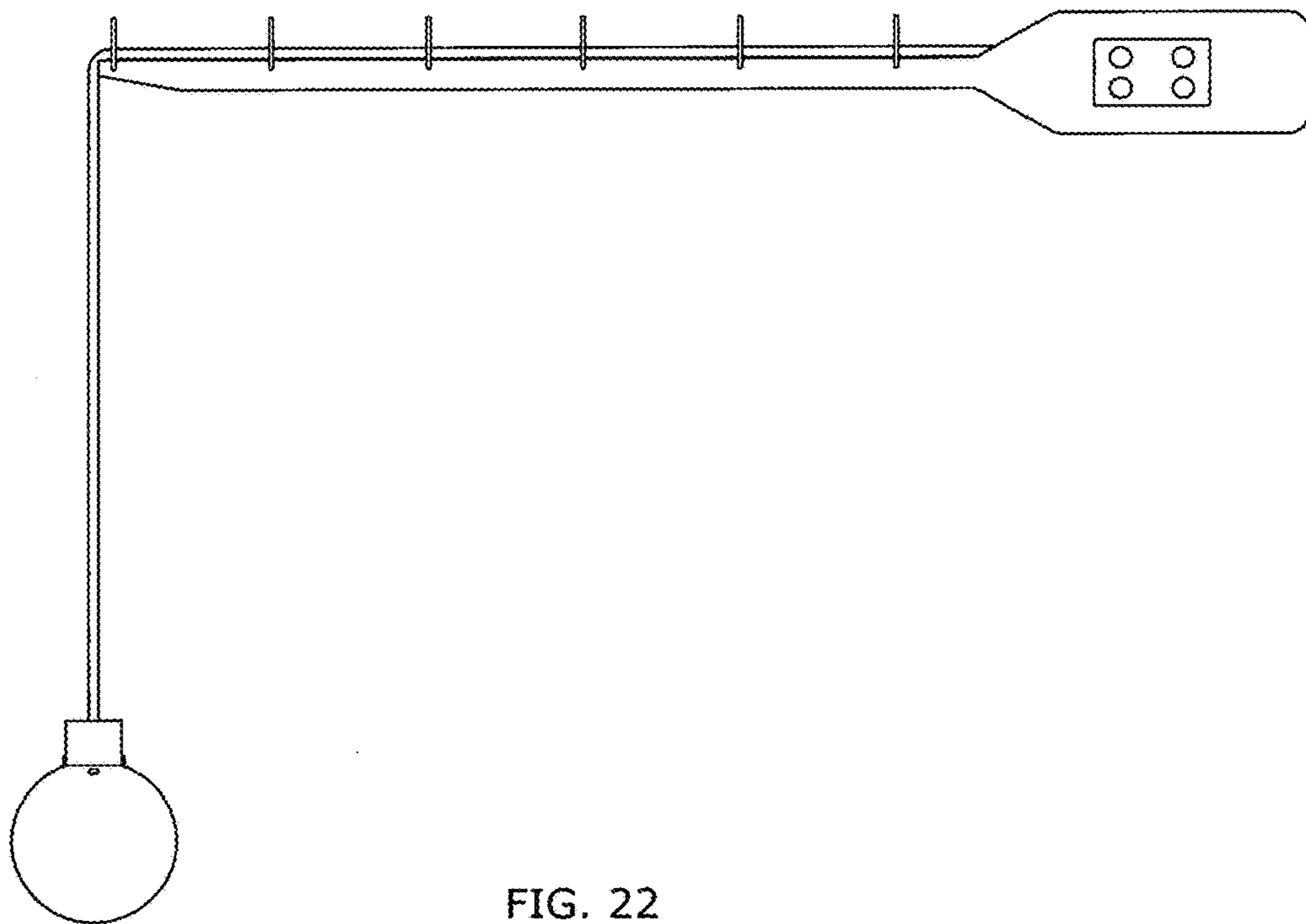


FIG. 22

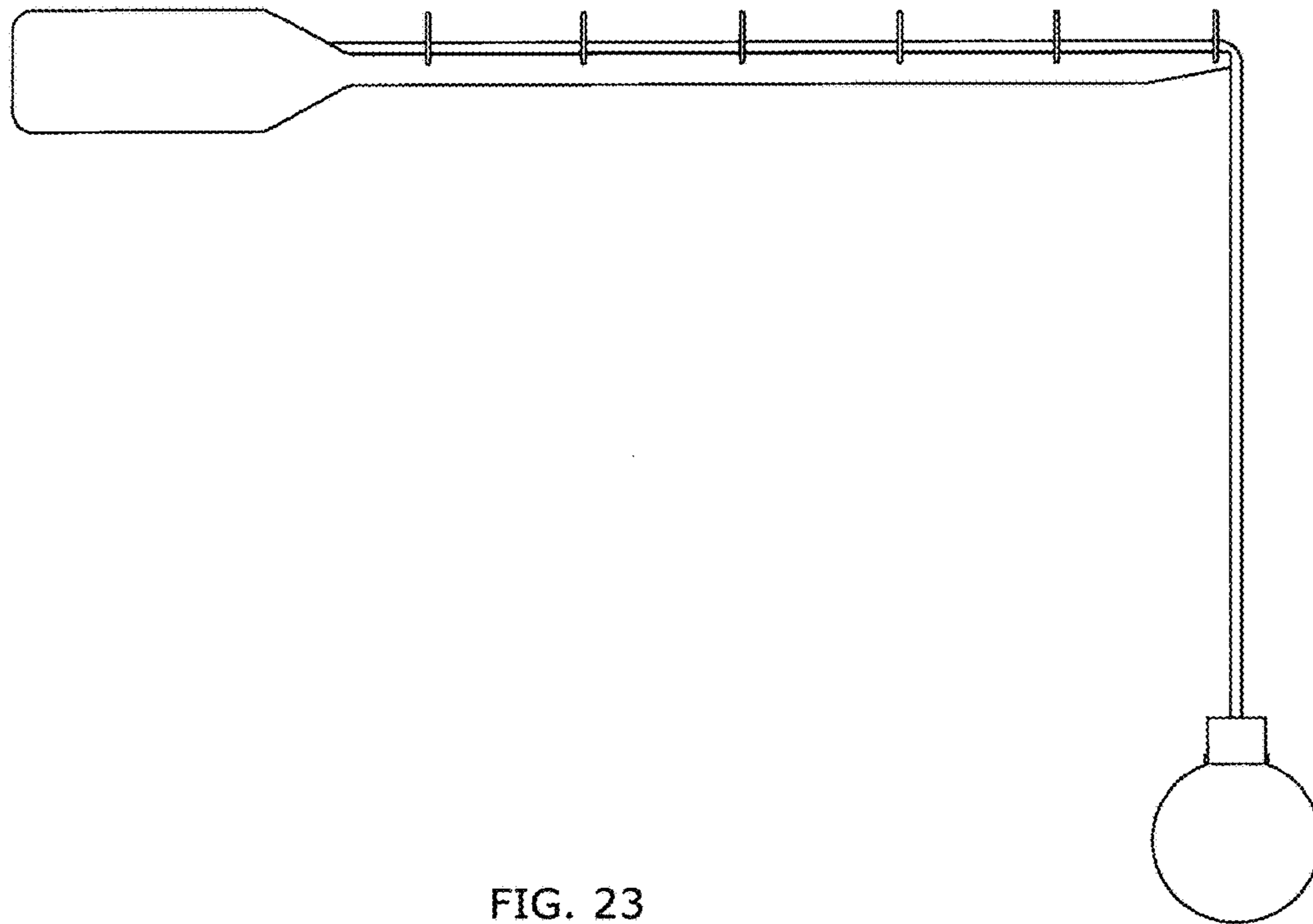


FIG. 23

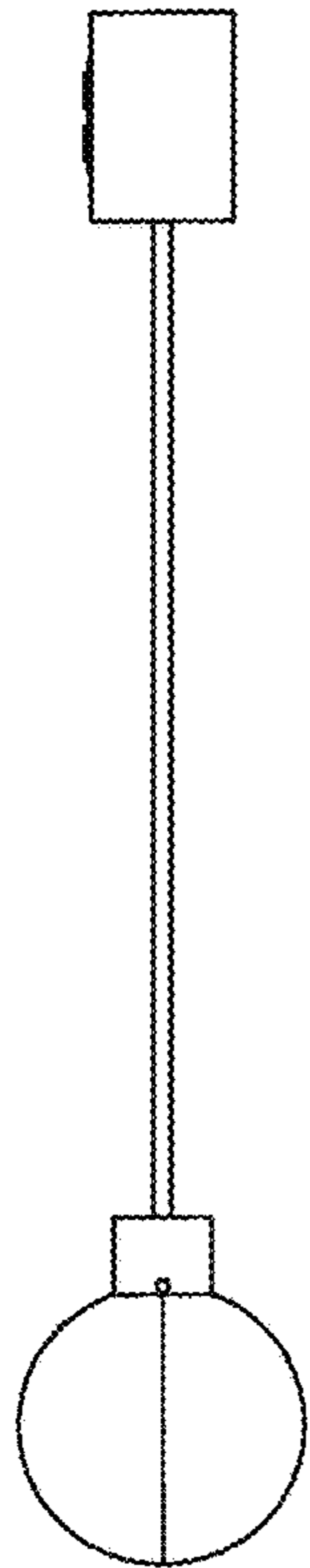


FIG. 24

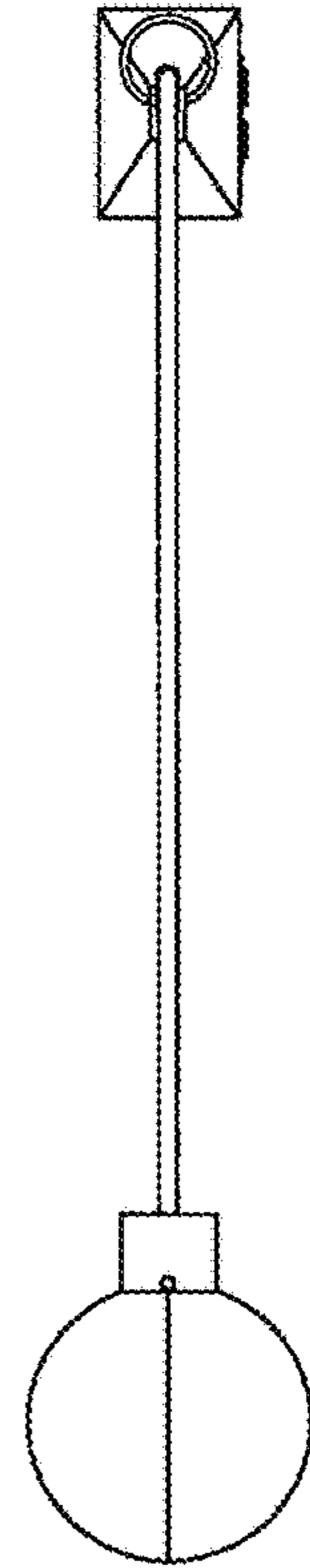


FIG. 25

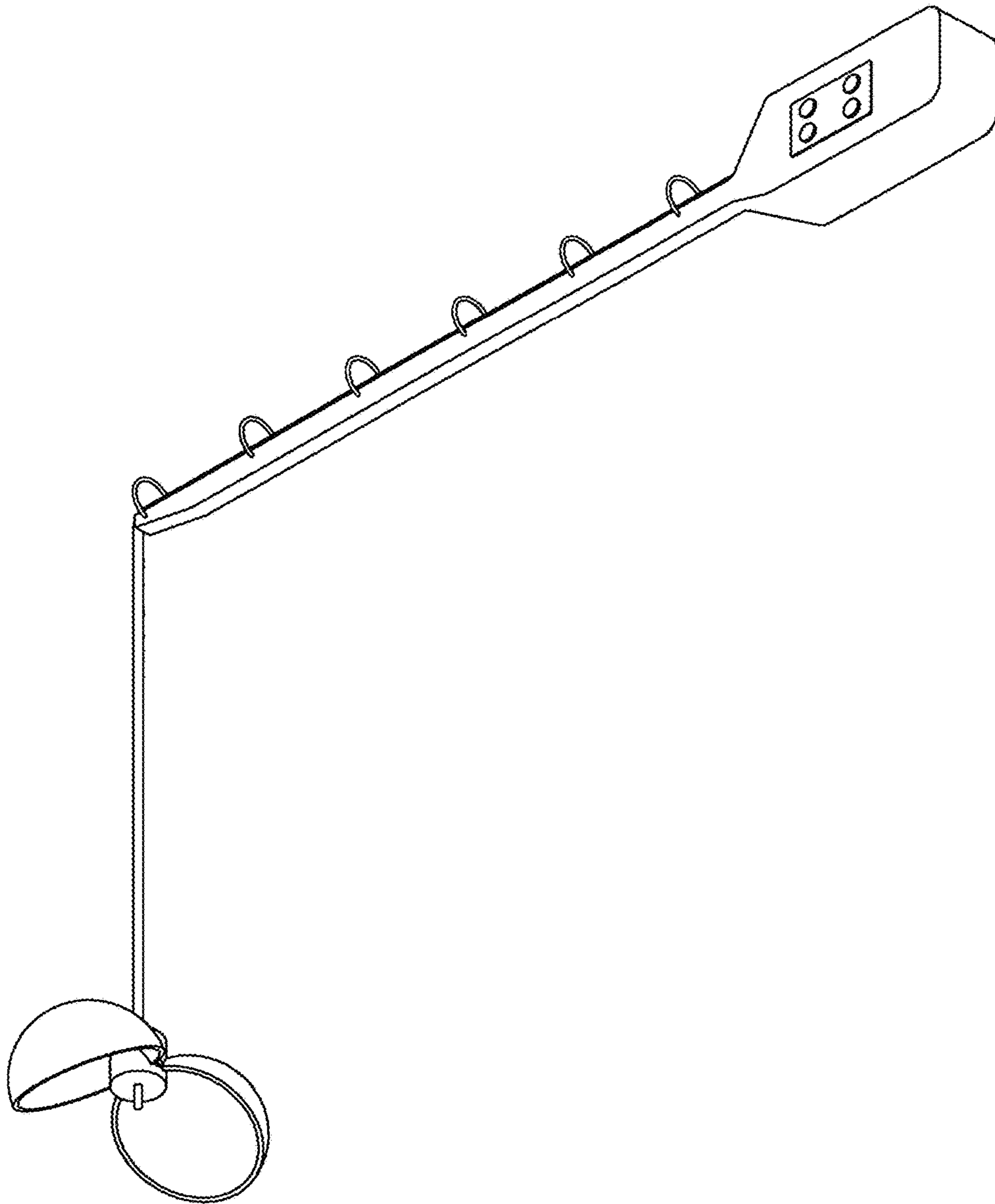


FIG. 26

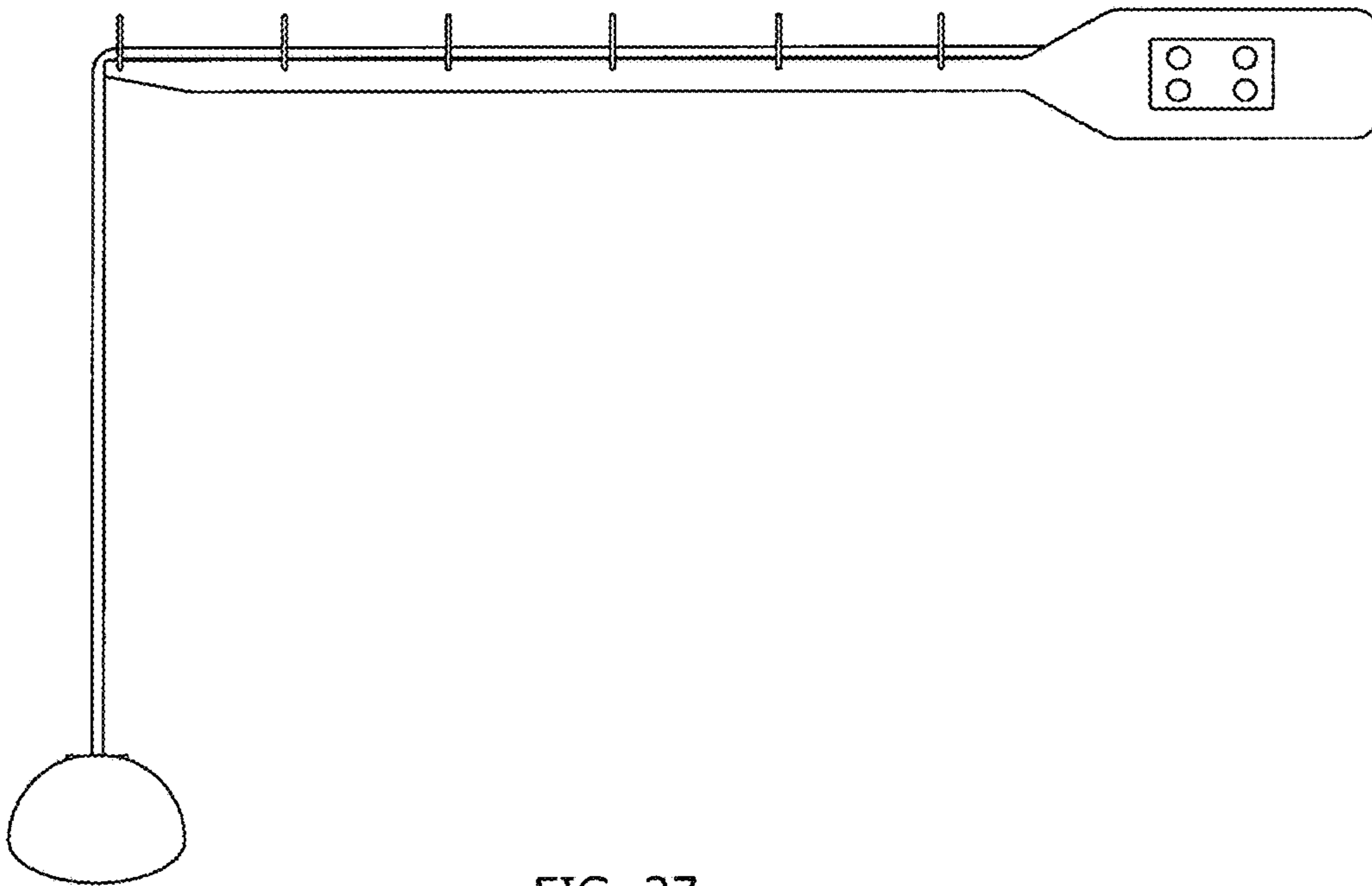


FIG. 27

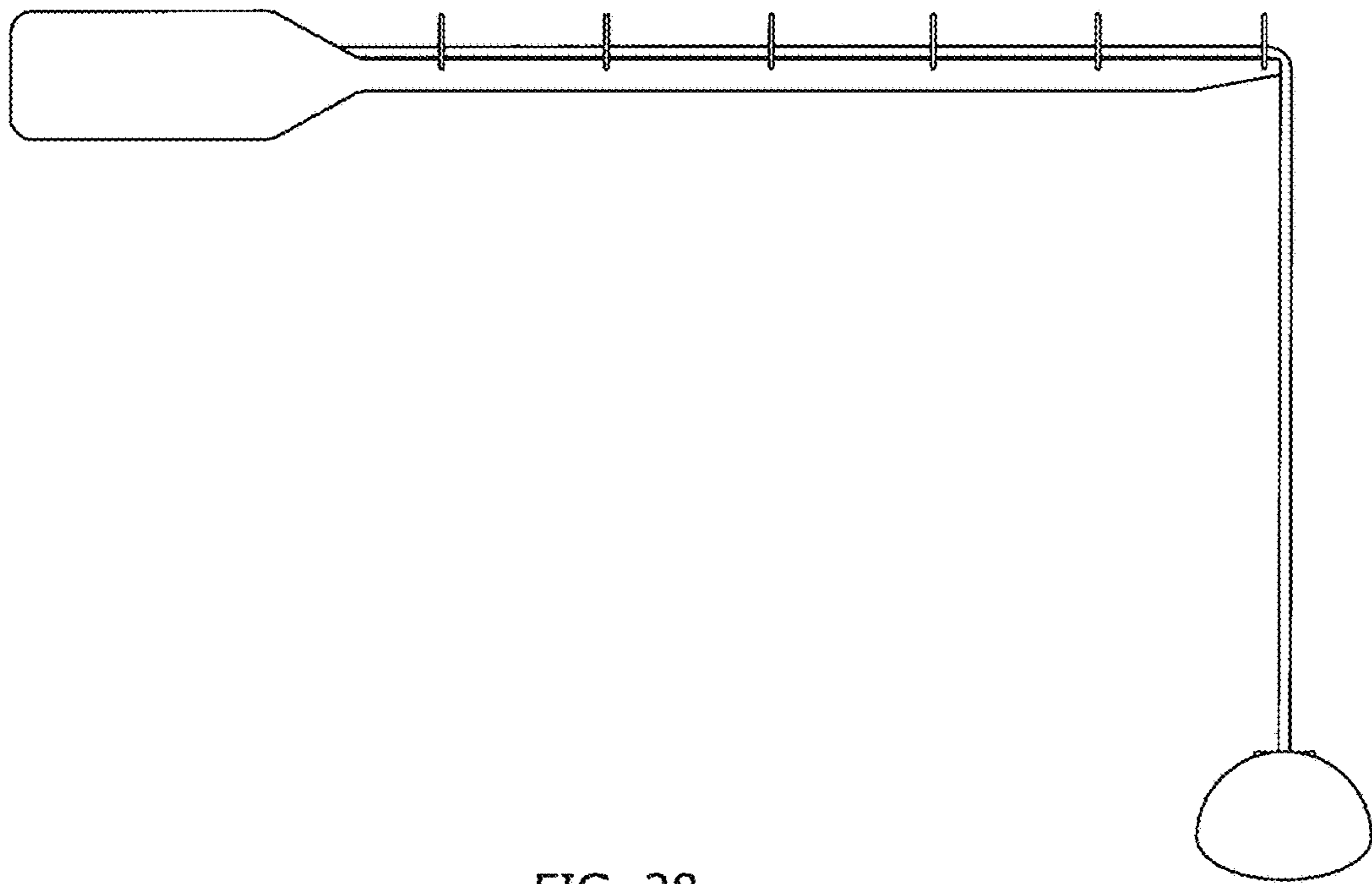


FIG. 28

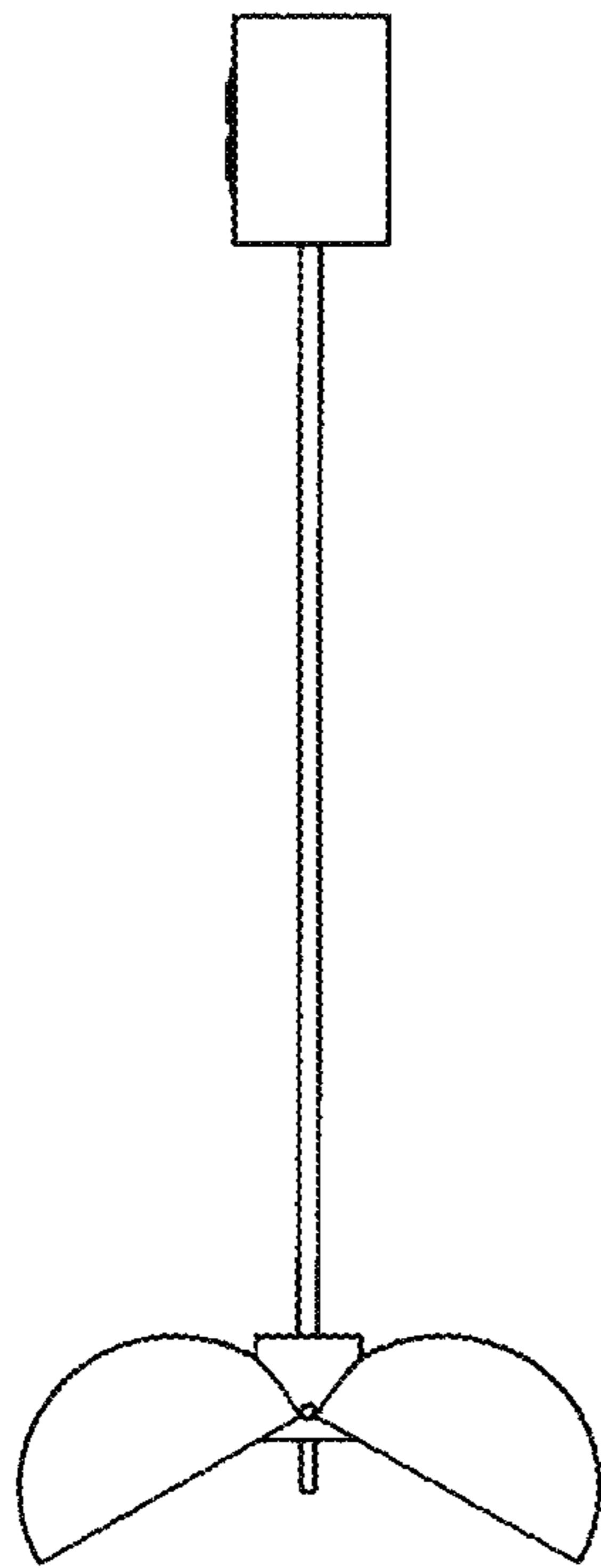


FIG. 29

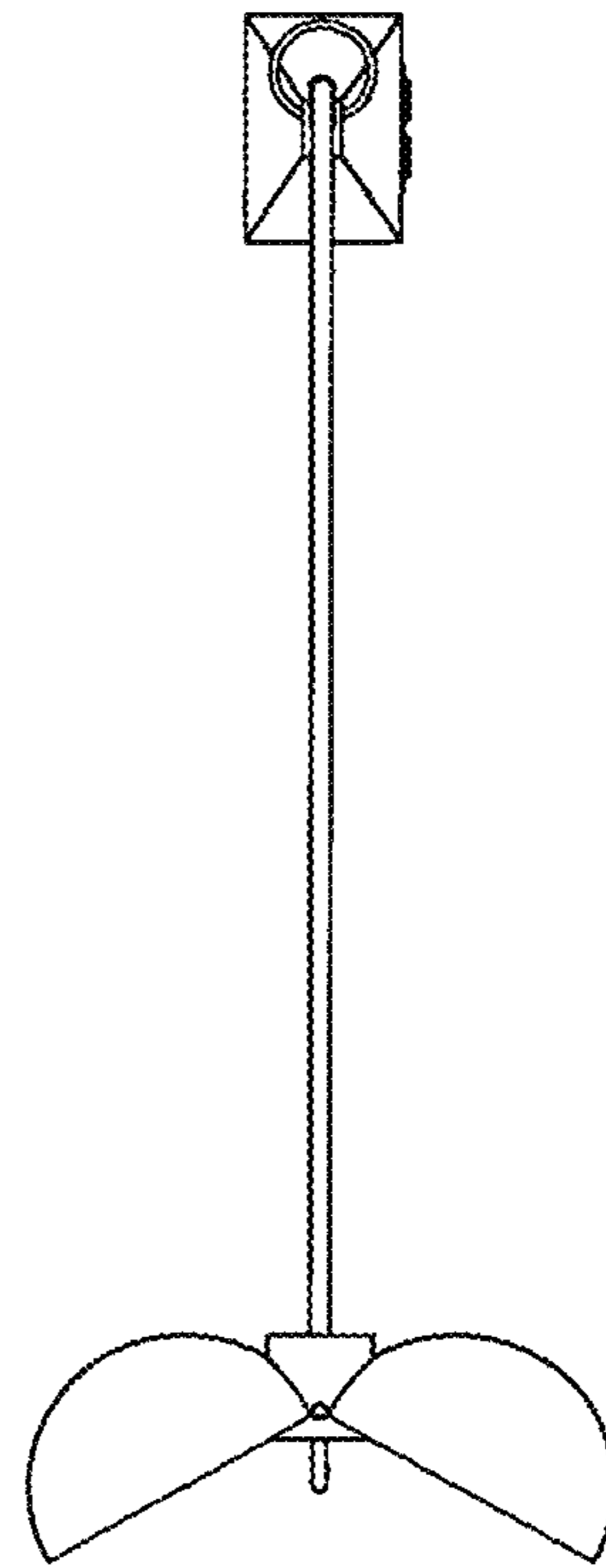


FIG. 30

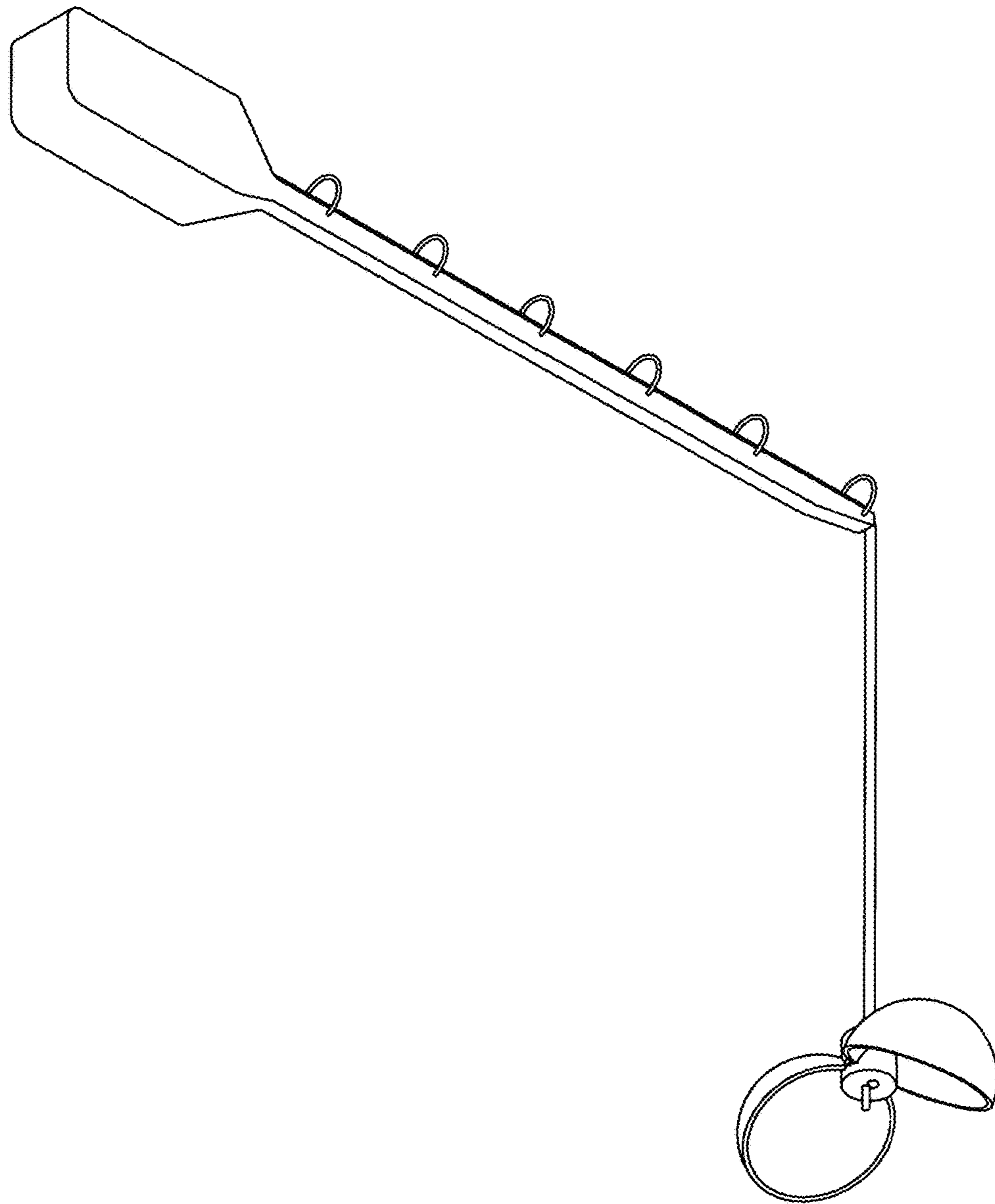


FIG. 31

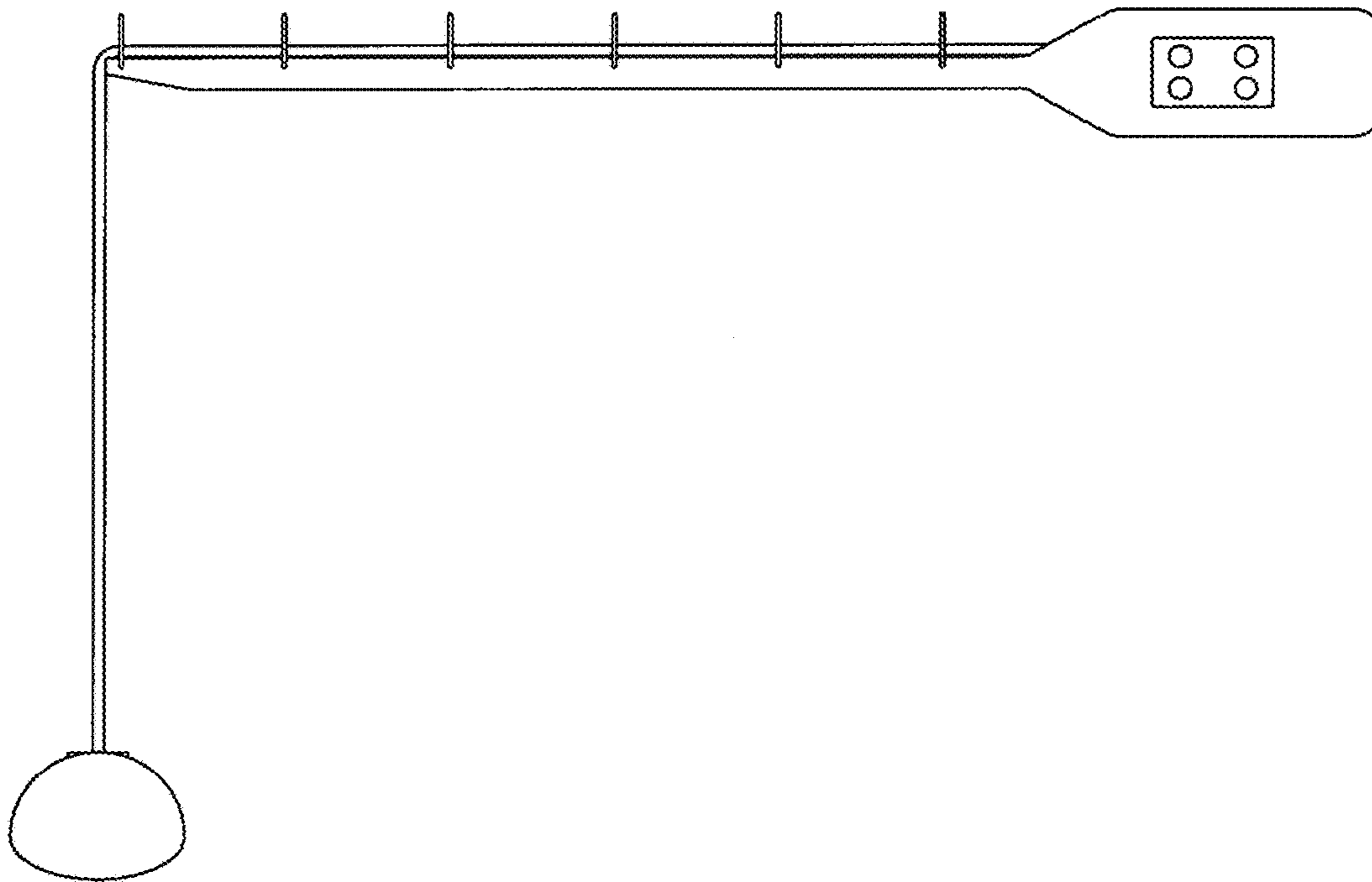


FIG. 32

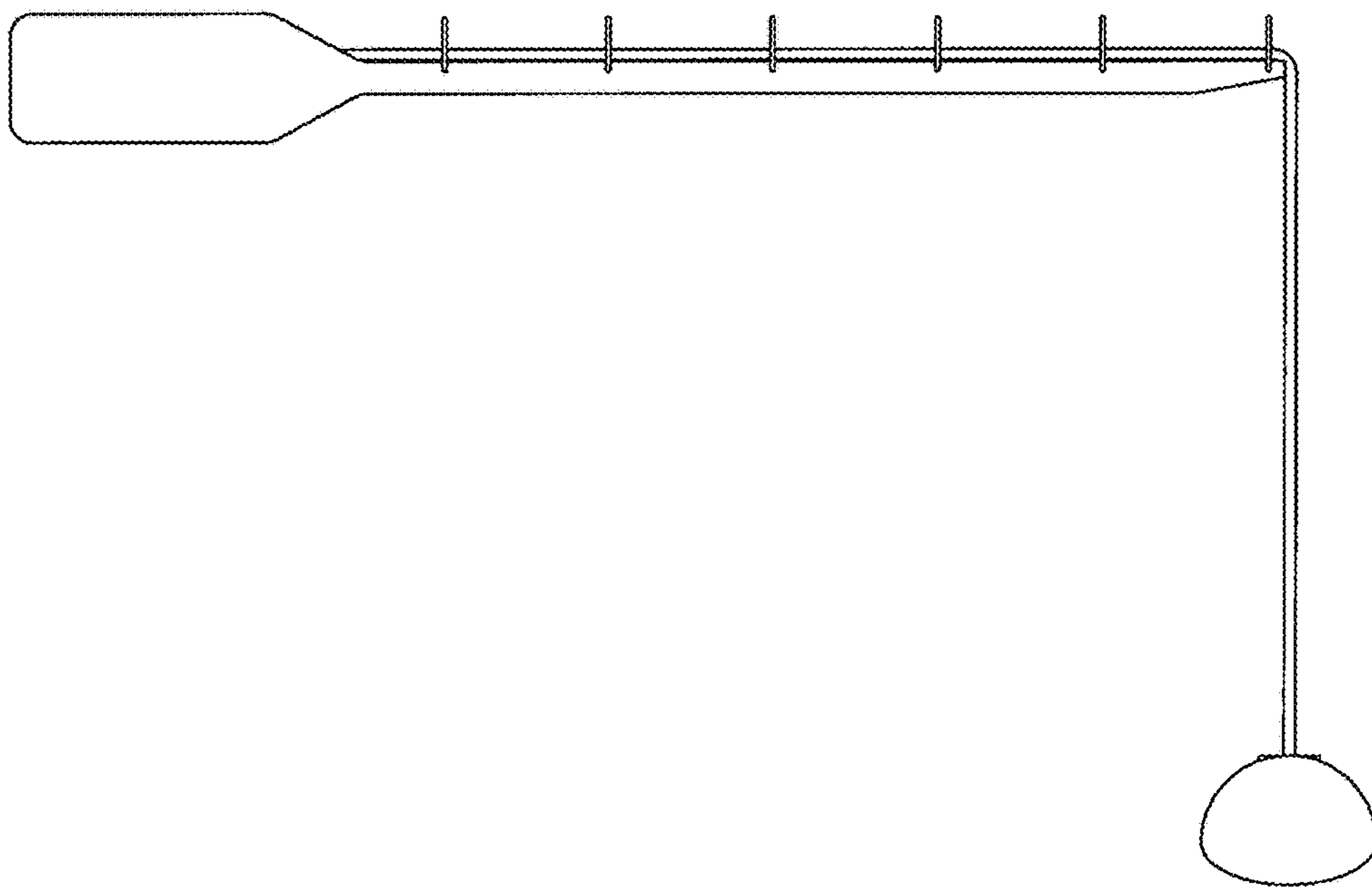


FIG. 33

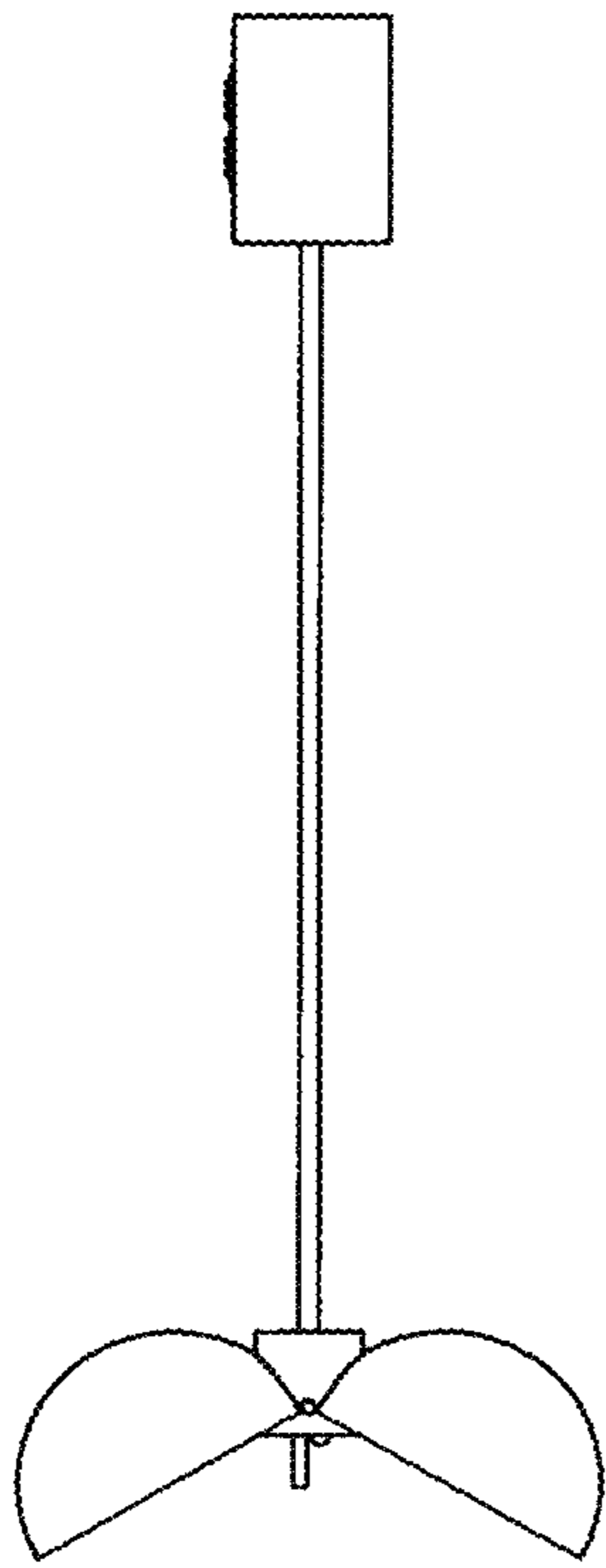


FIG. 34

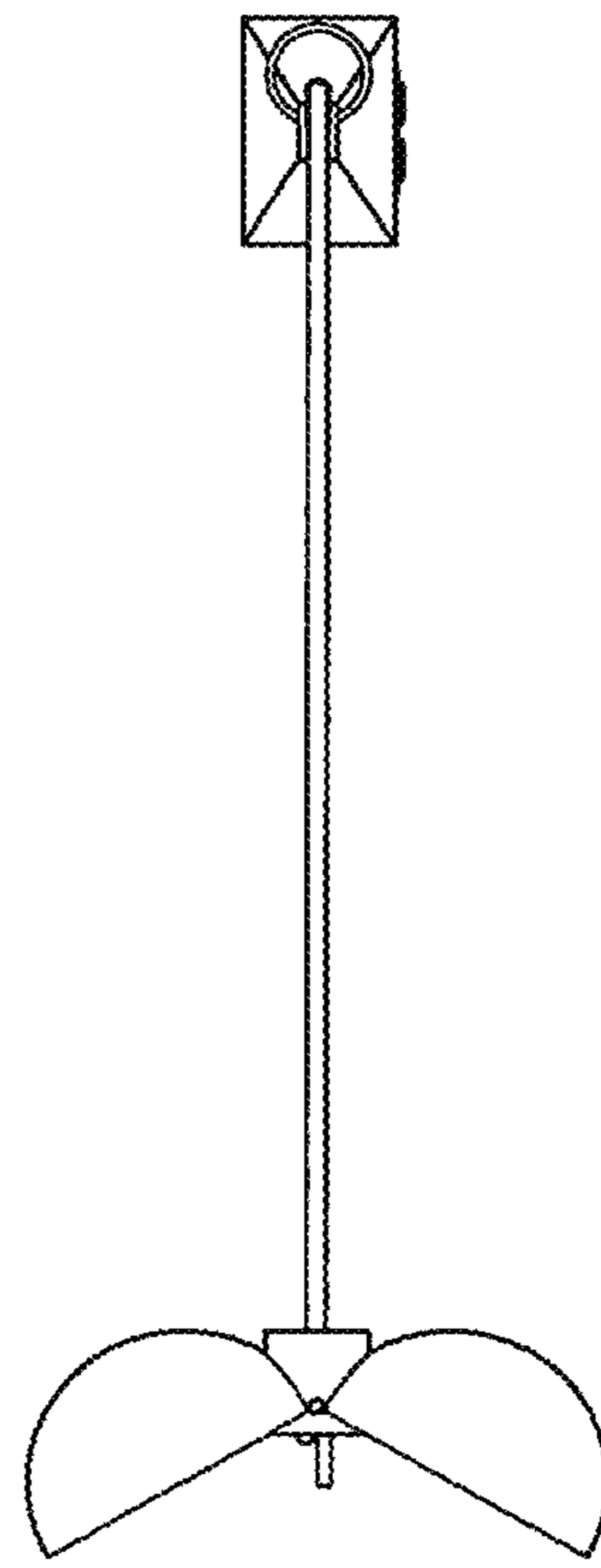


FIG. 35

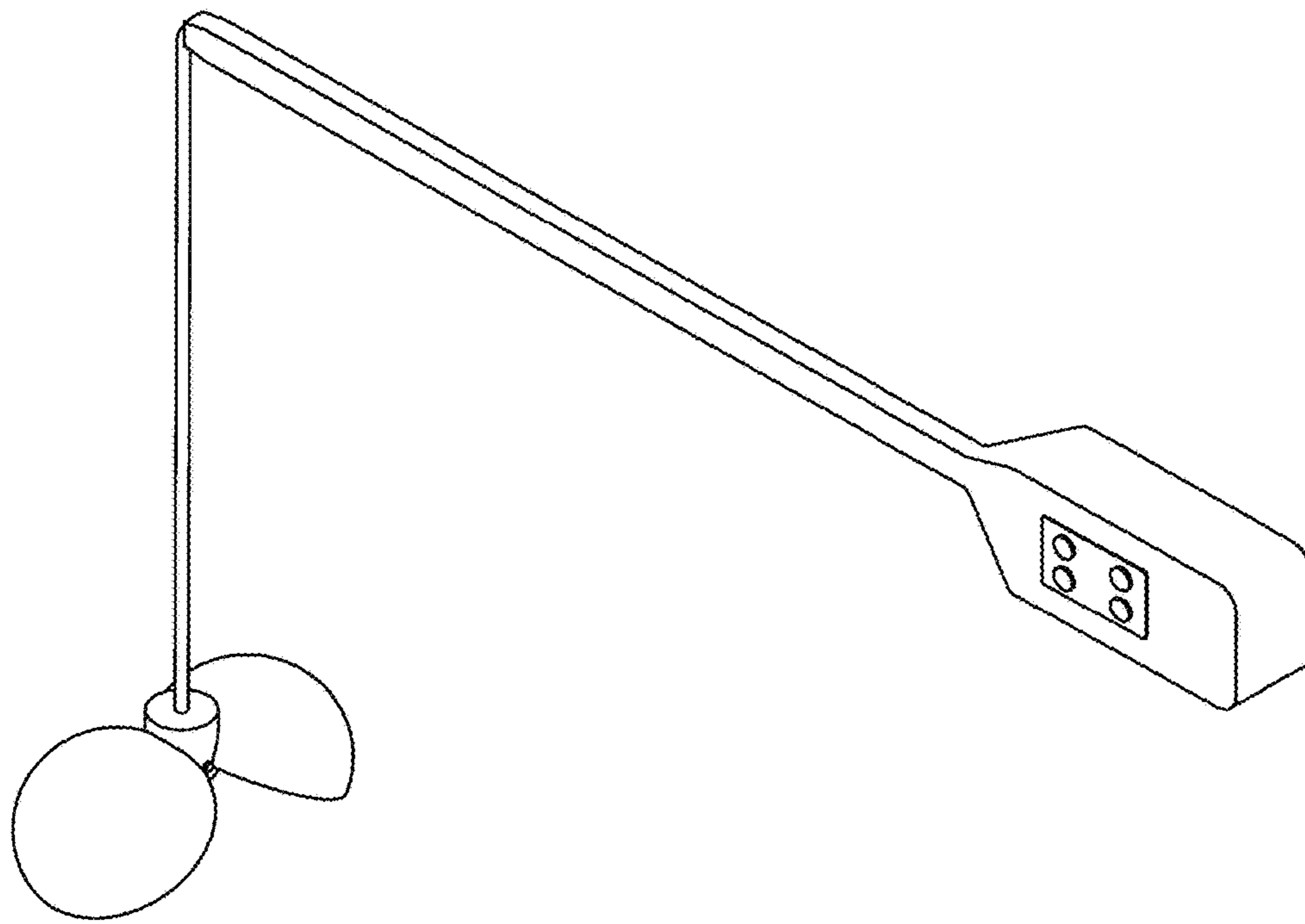


FIG. 36

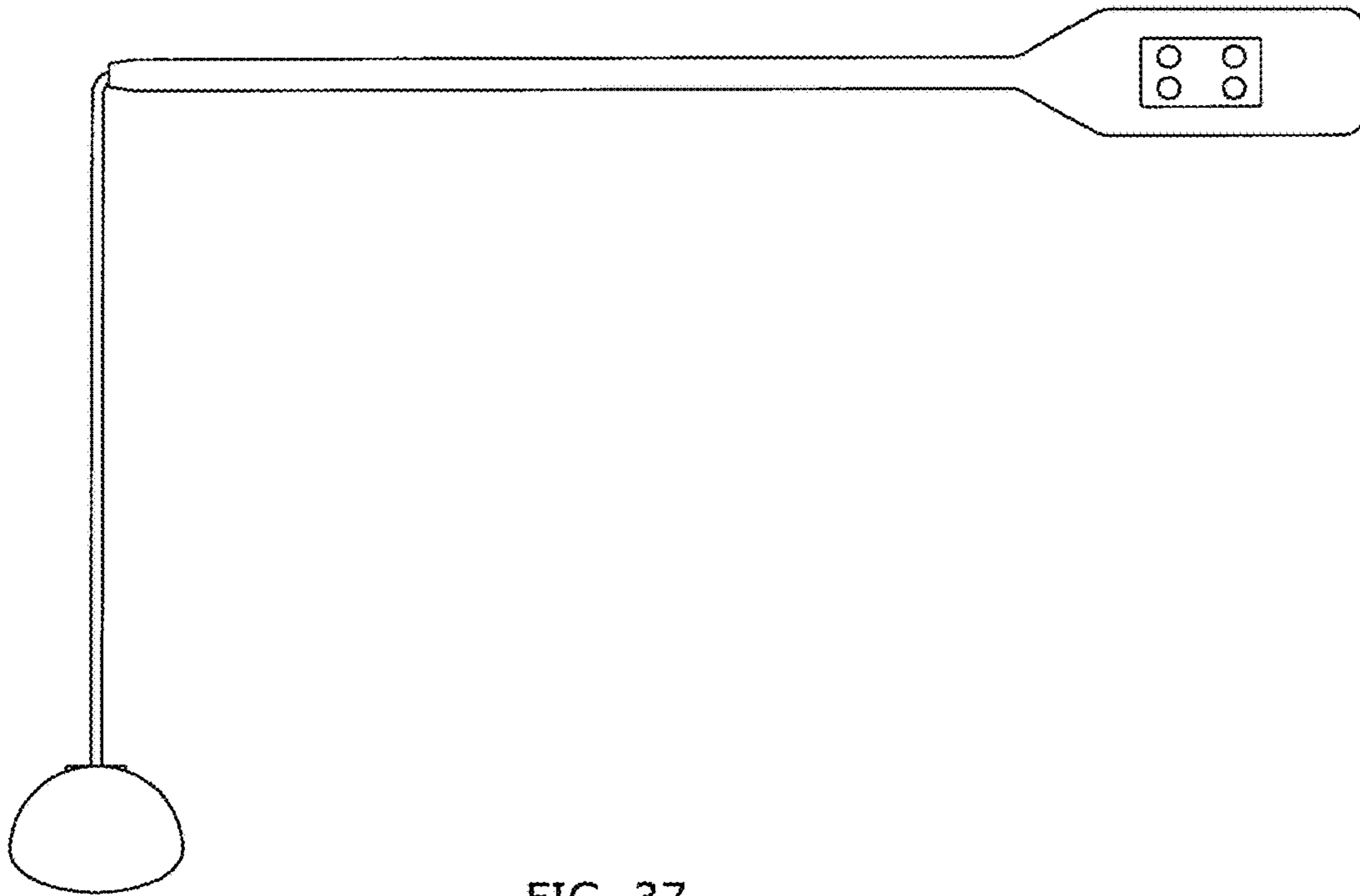


FIG. 37

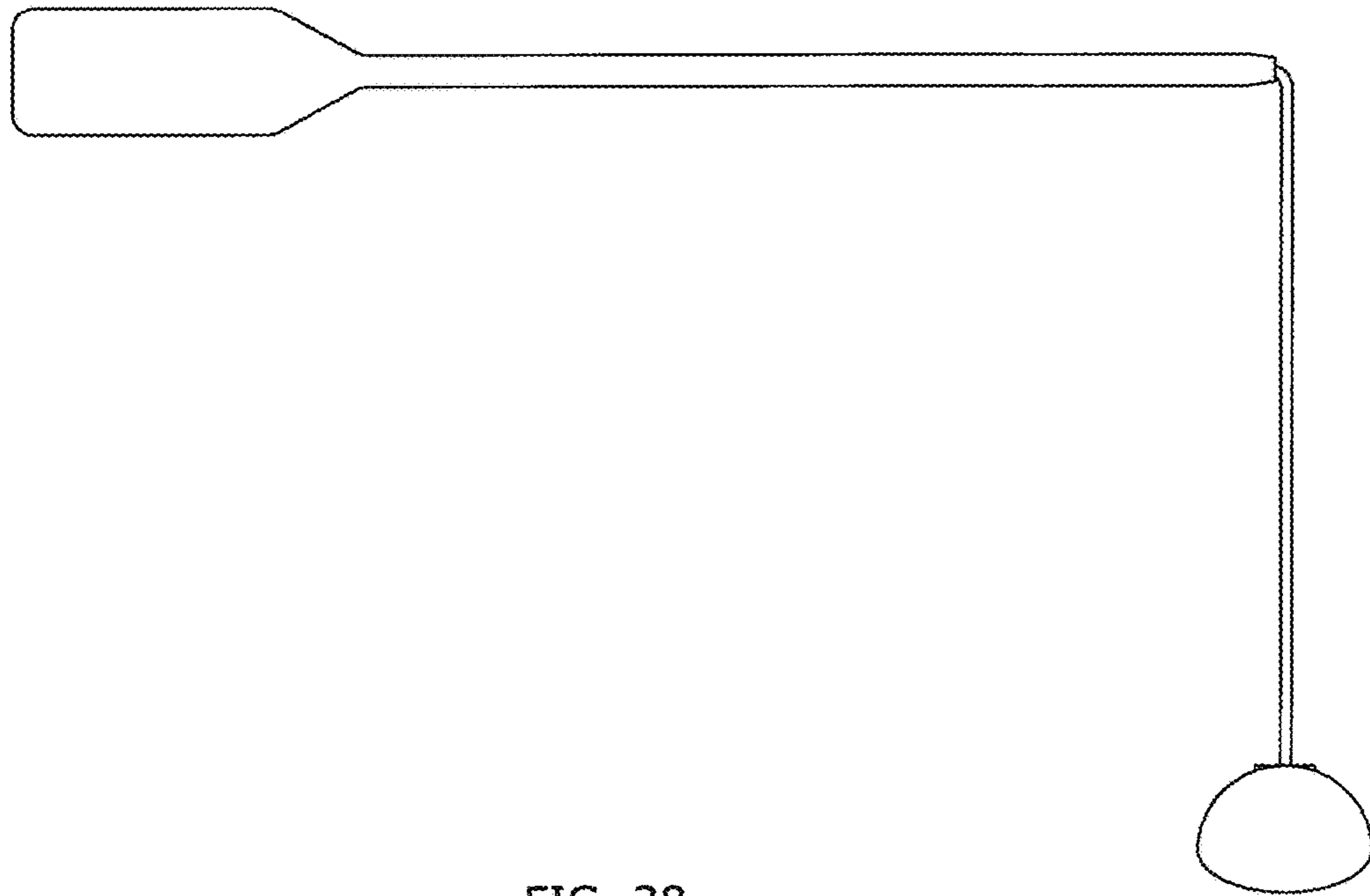


FIG. 38

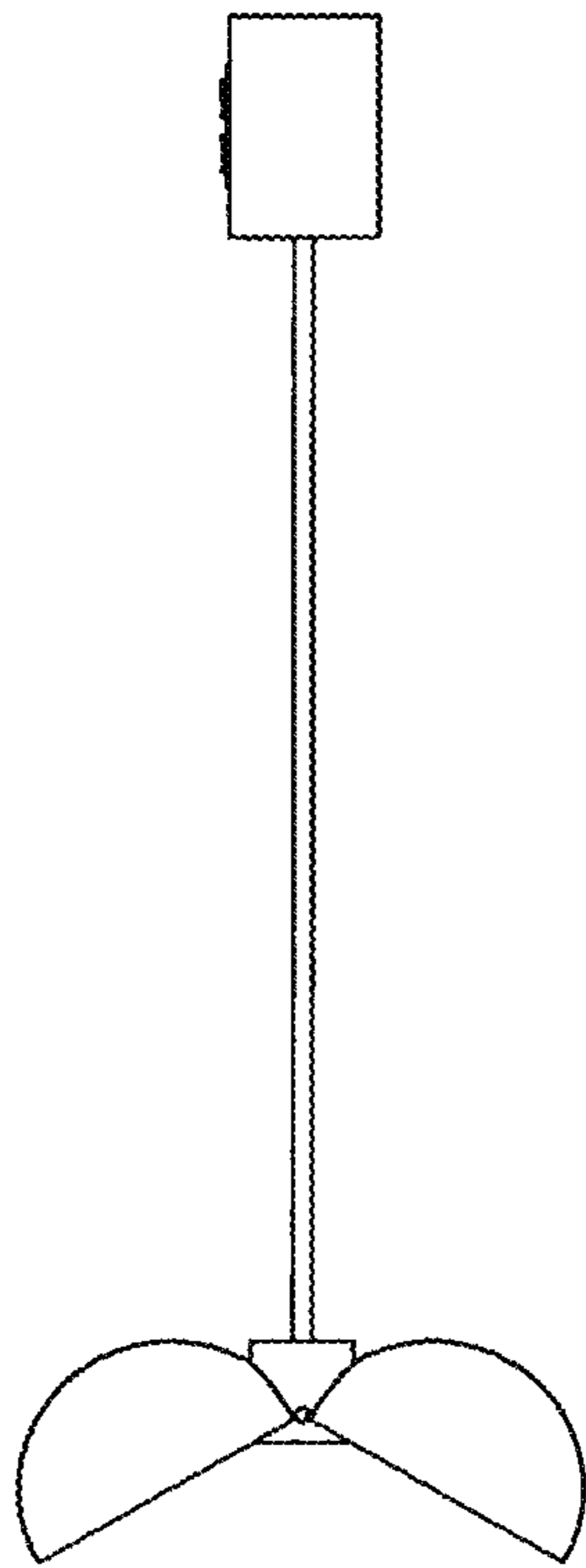


FIG. 39

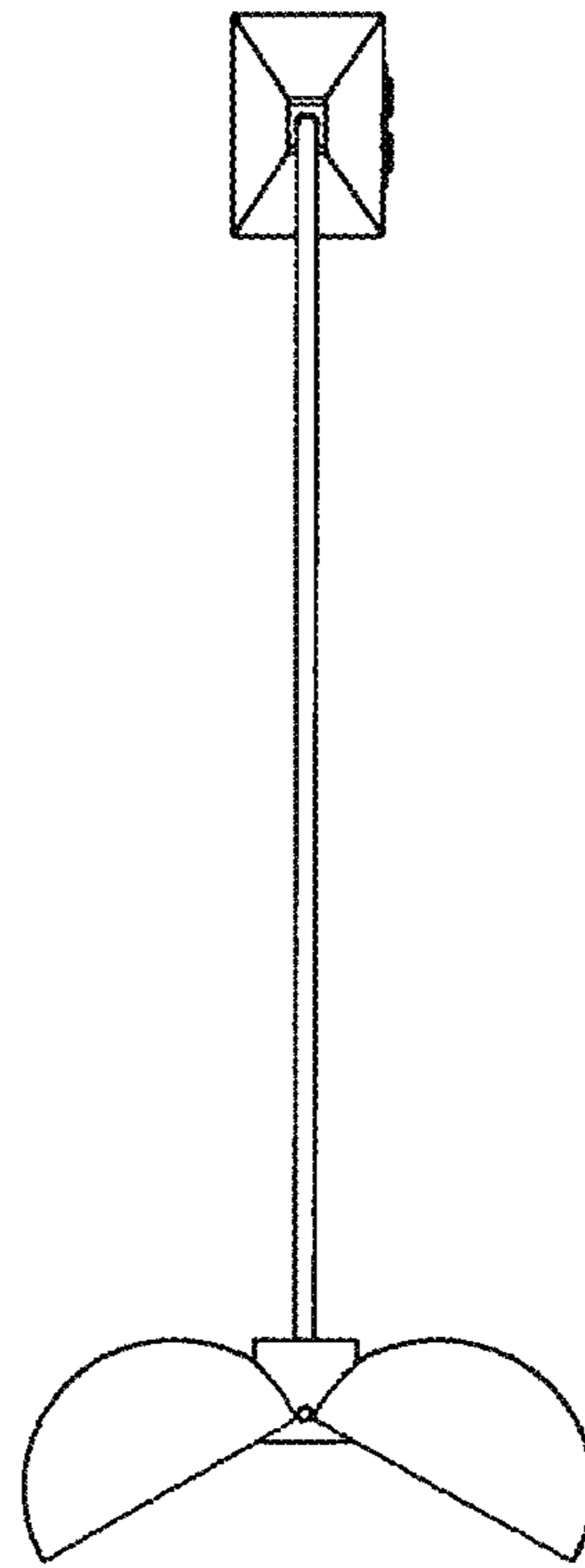


FIG. 40

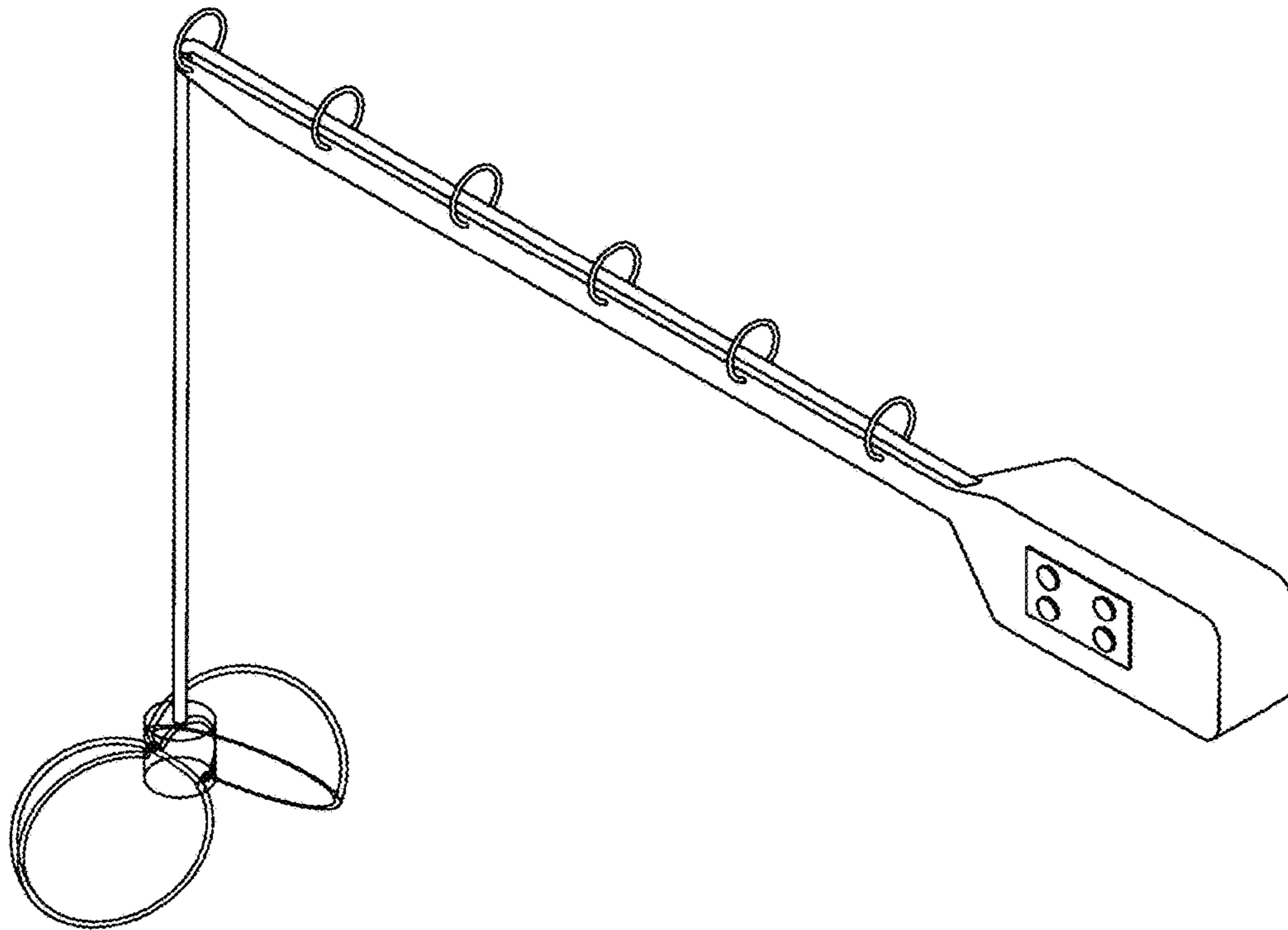


FIG. 41

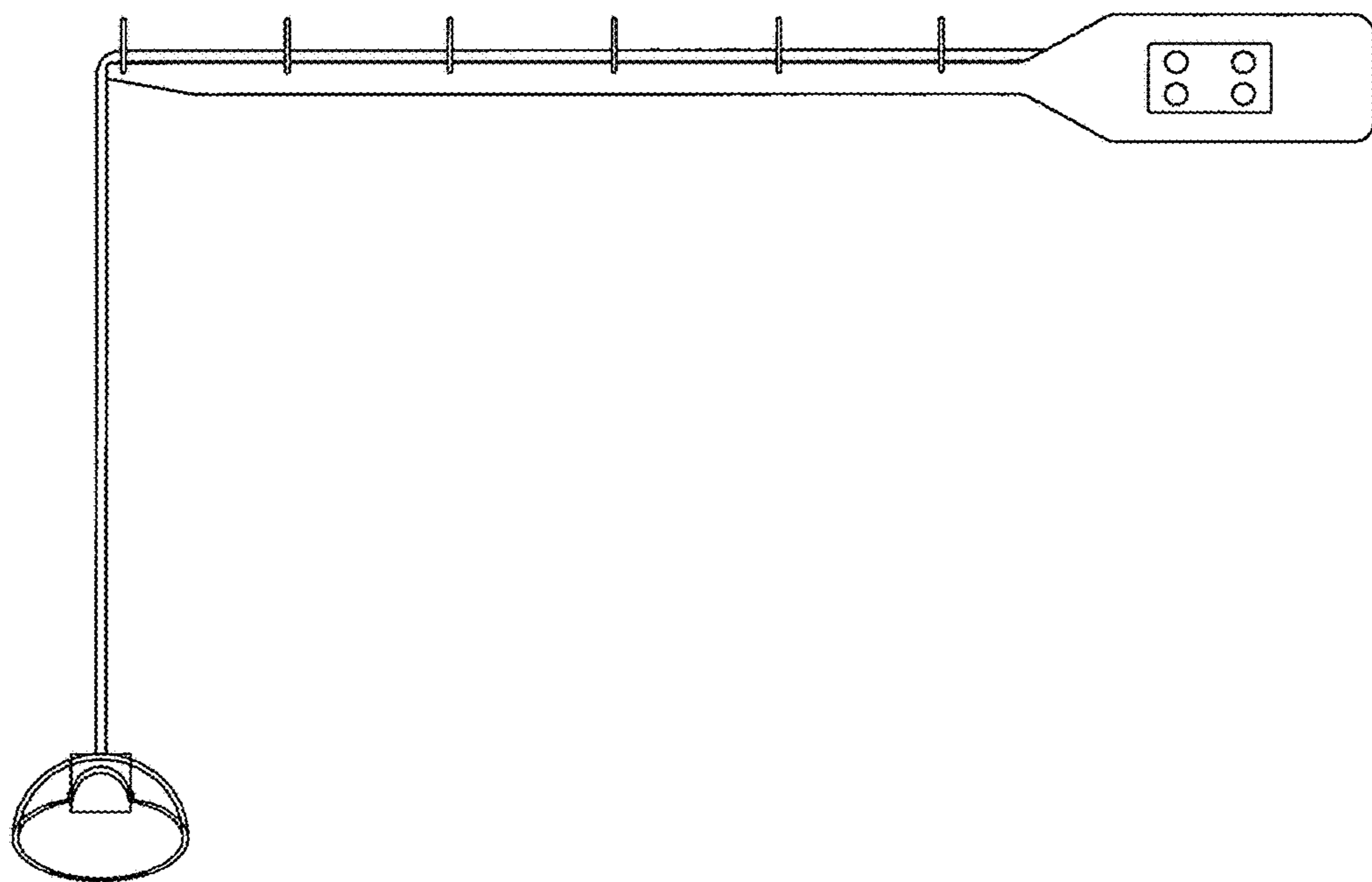


FIG. 42

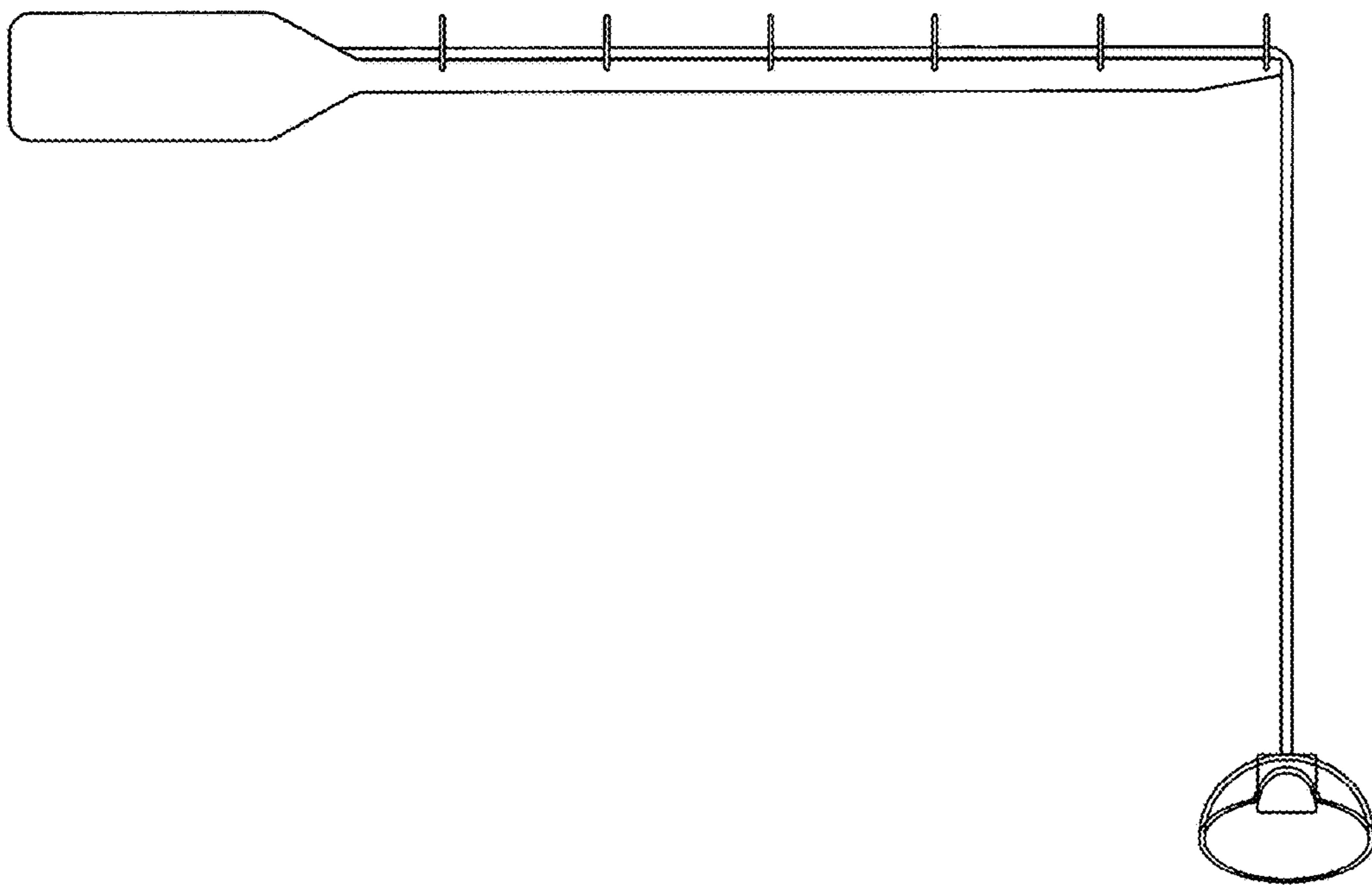


FIG. 43

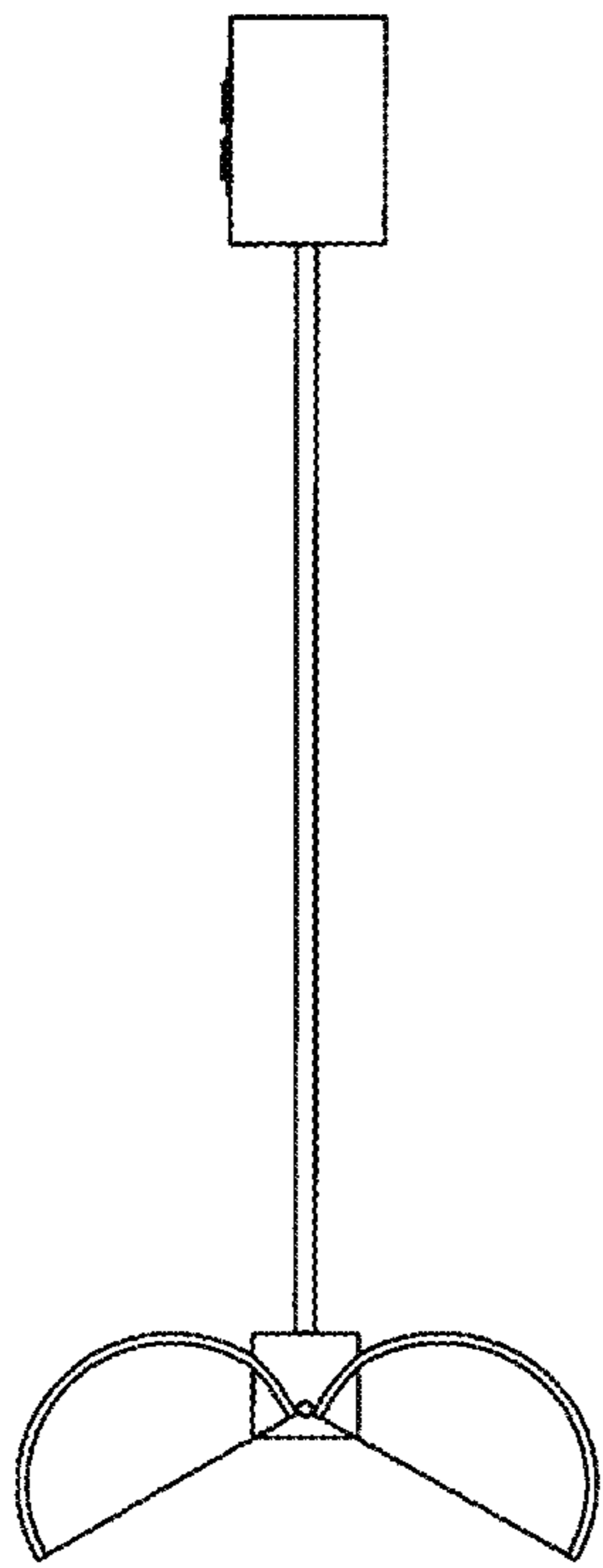


FIG. 44

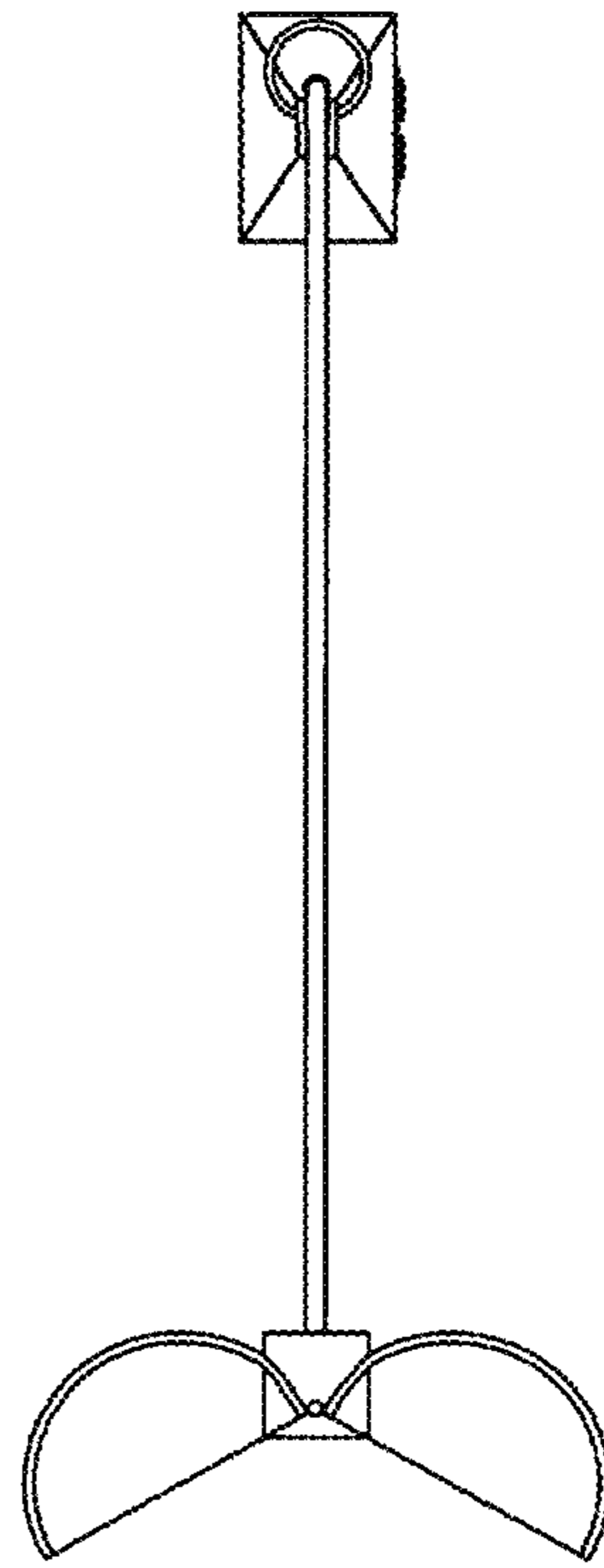


FIG. 45

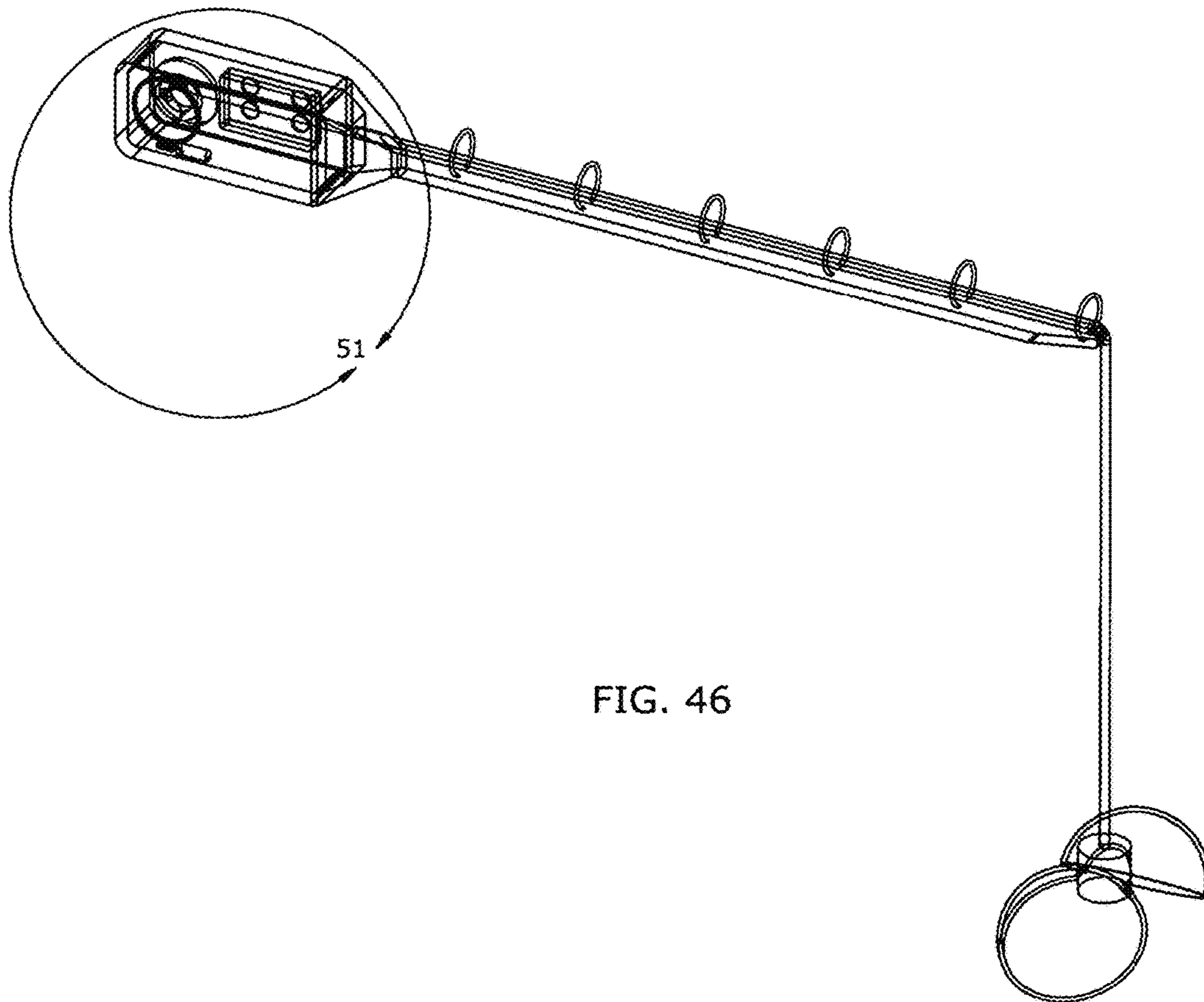


FIG. 46

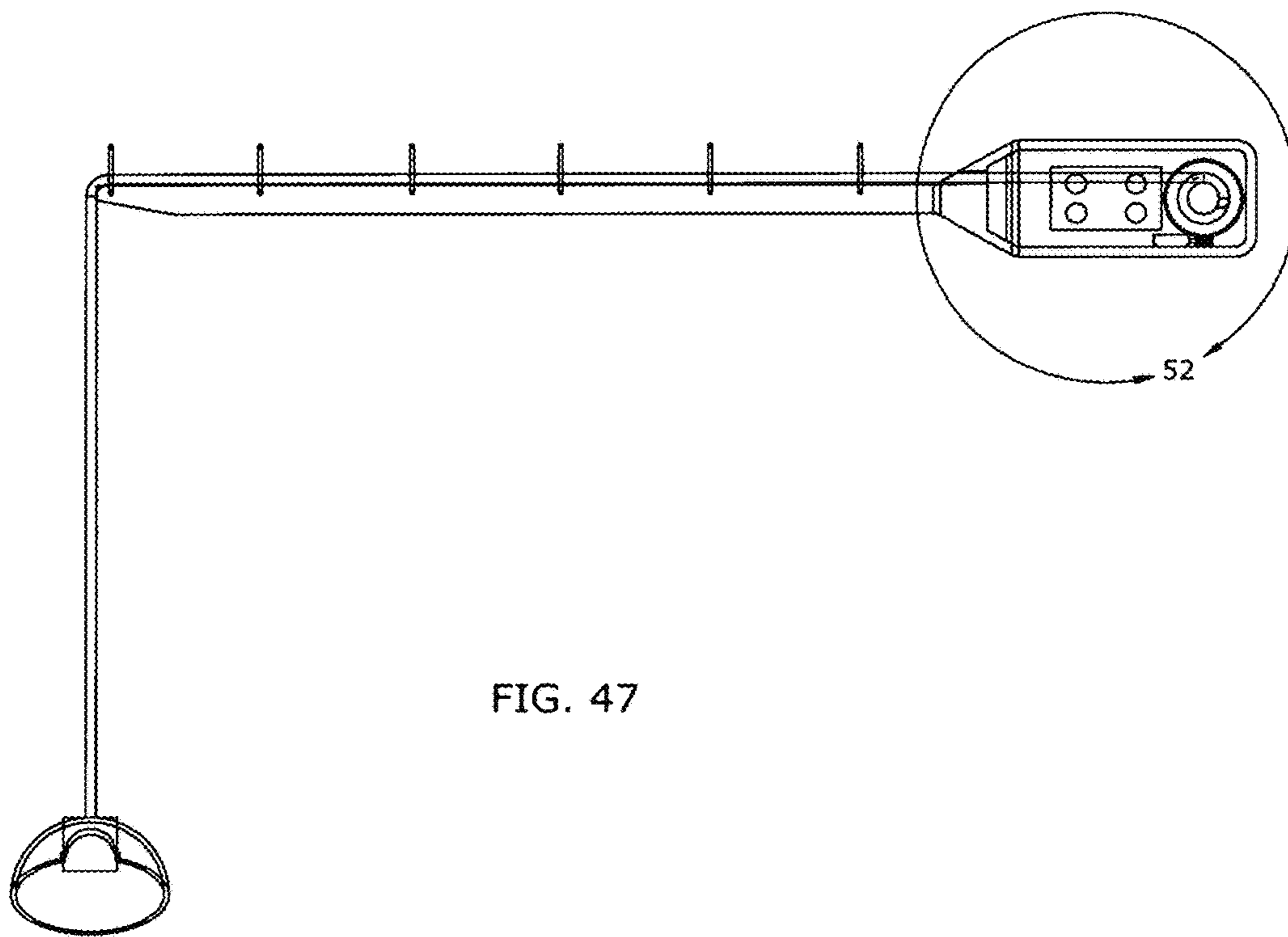


FIG. 47

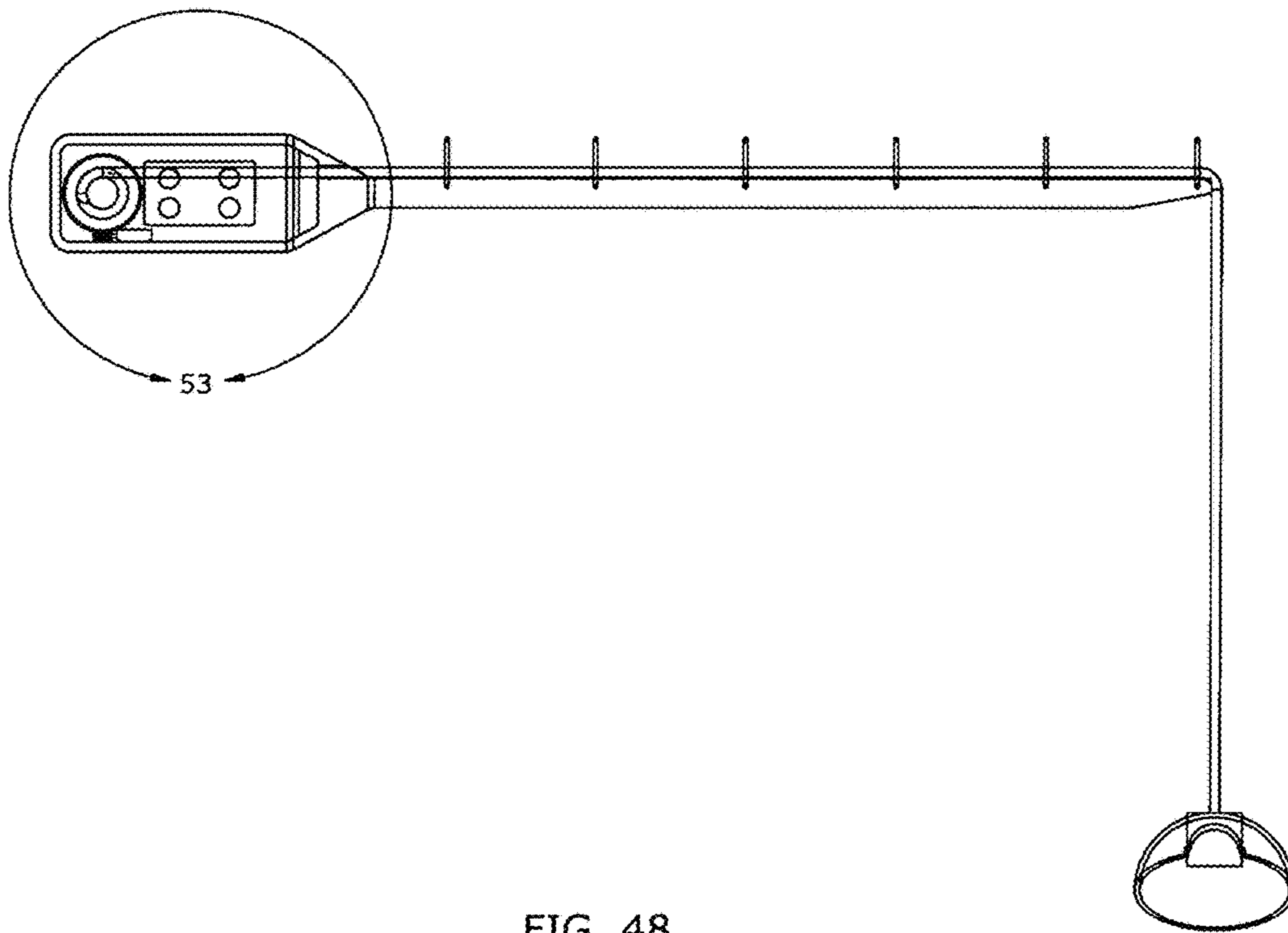


FIG. 48

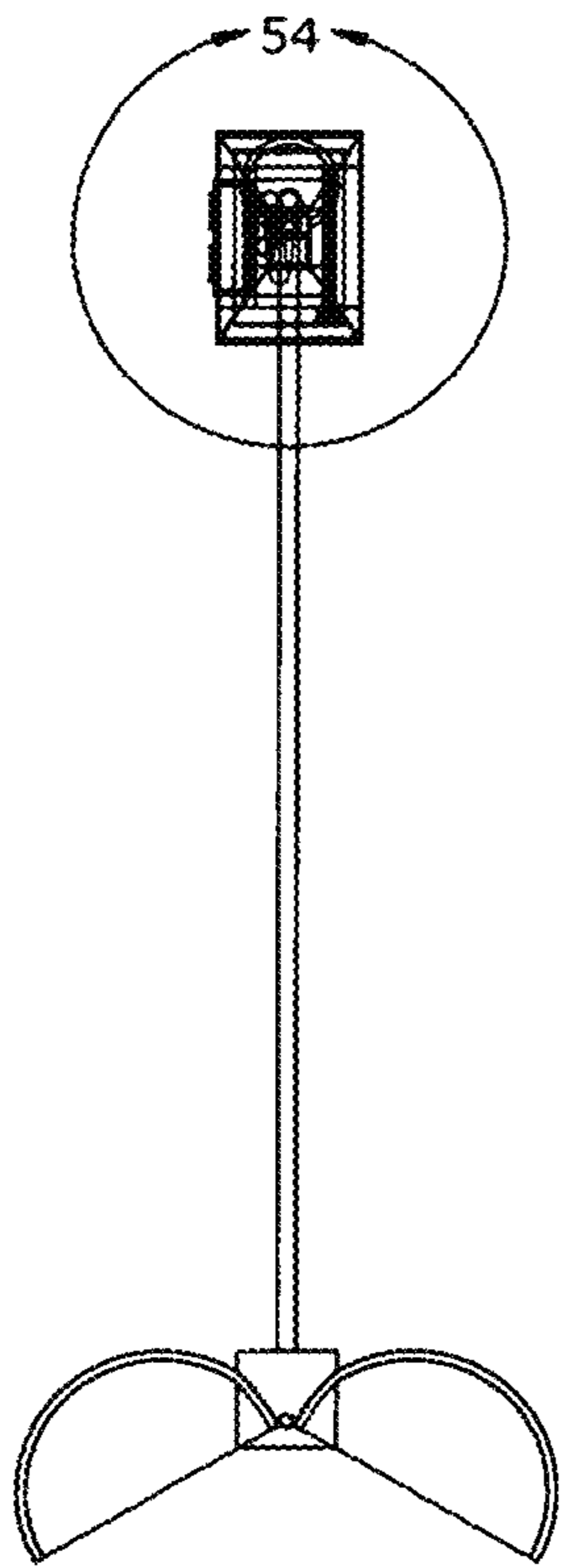


FIG. 49

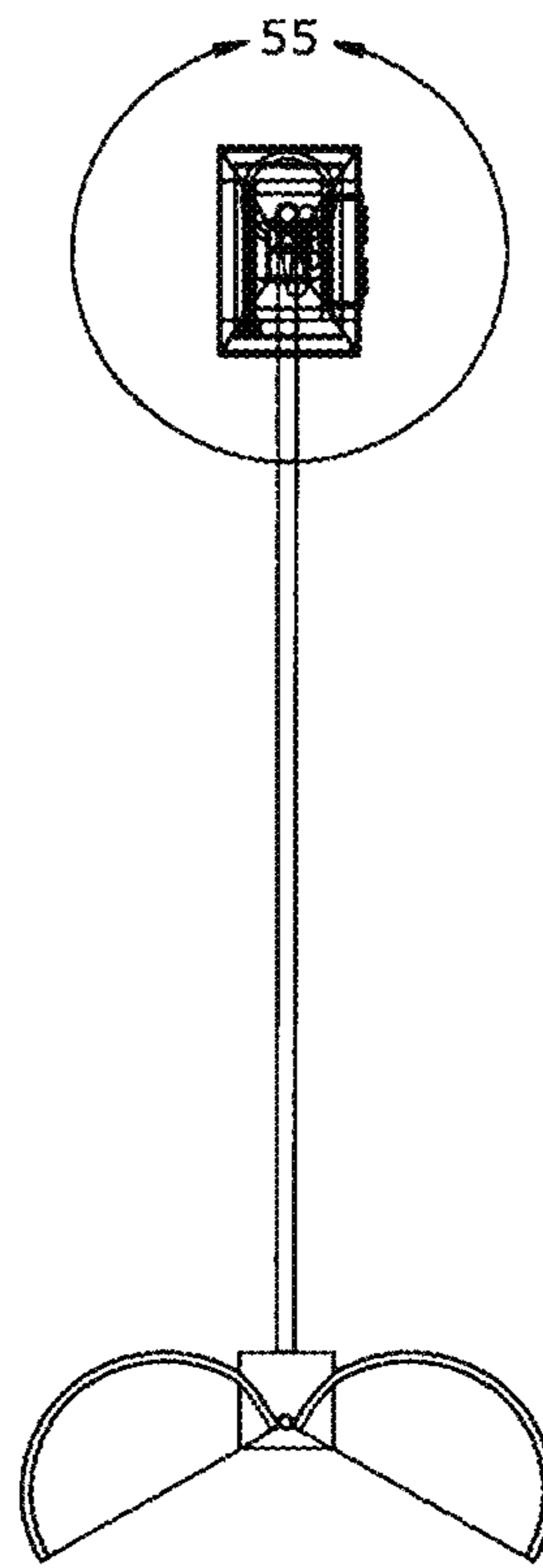


FIG. 50

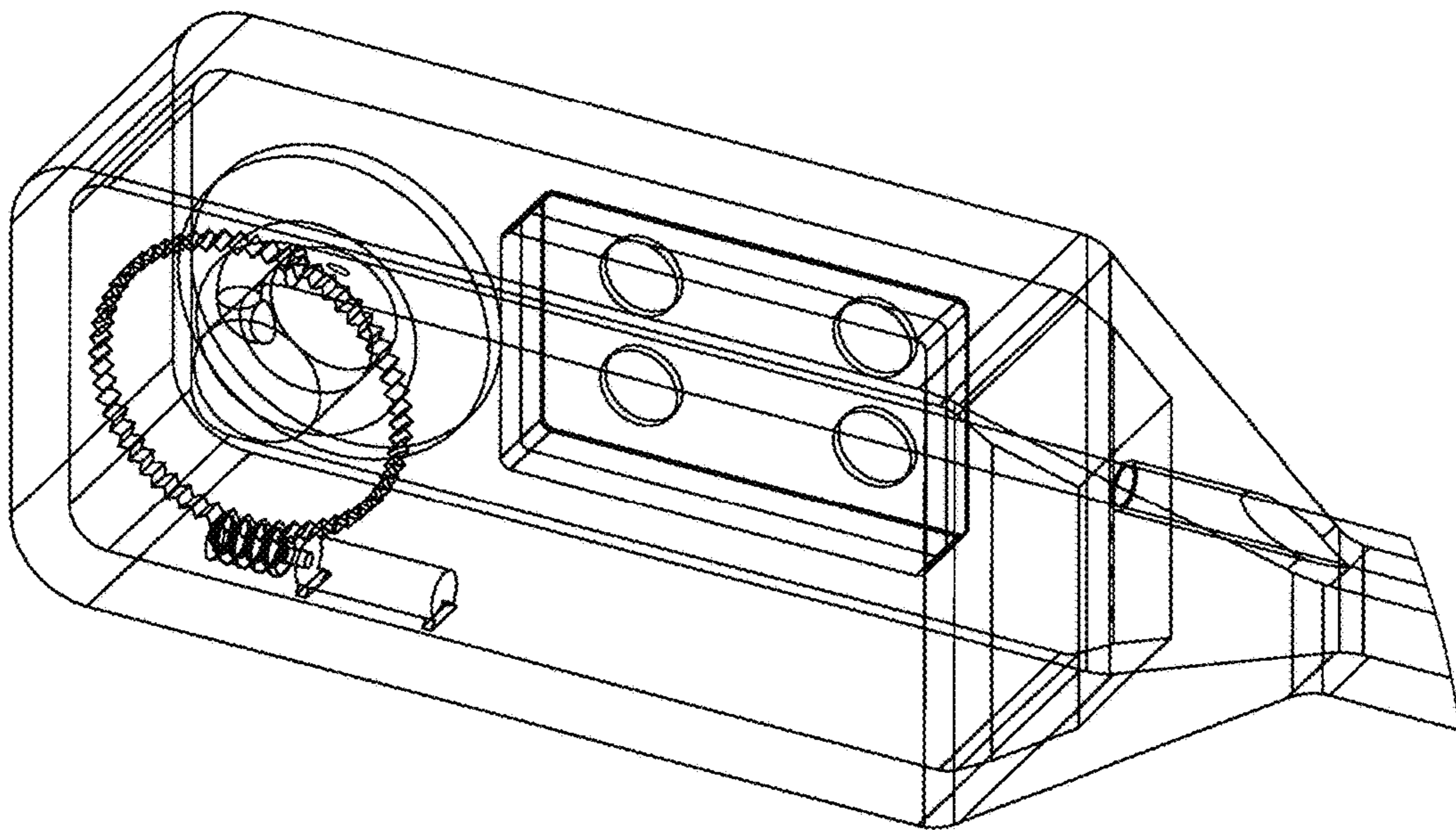


FIG. 51

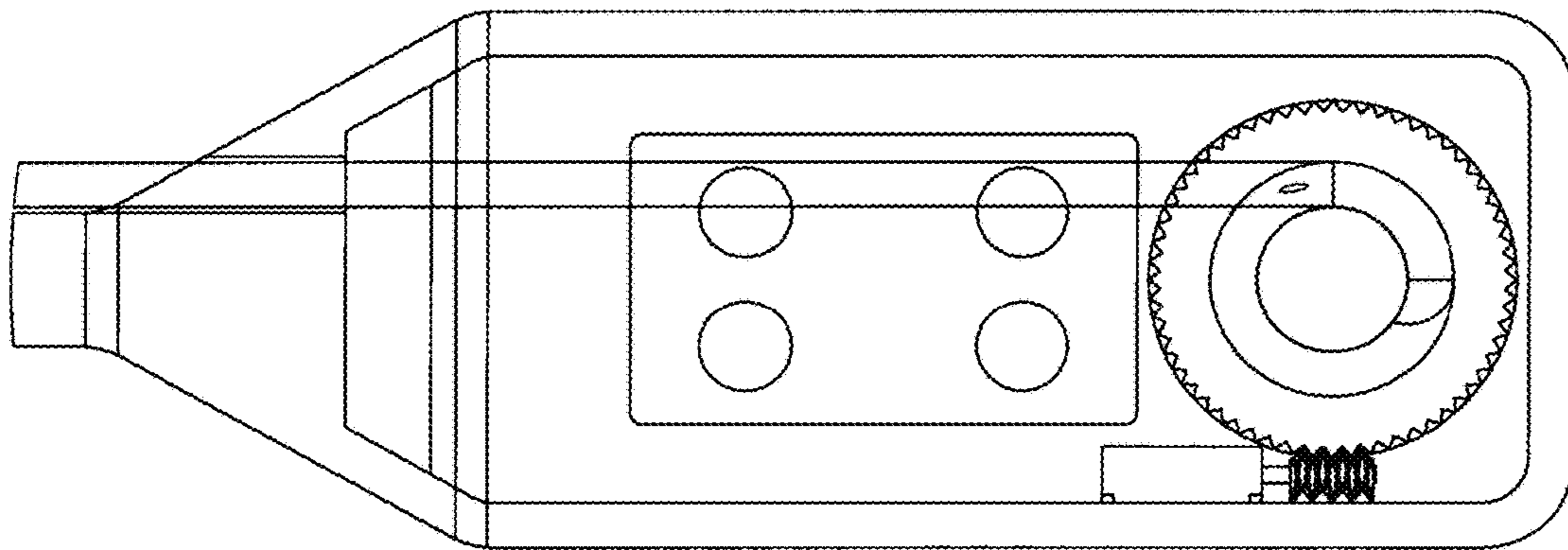


FIG. 52

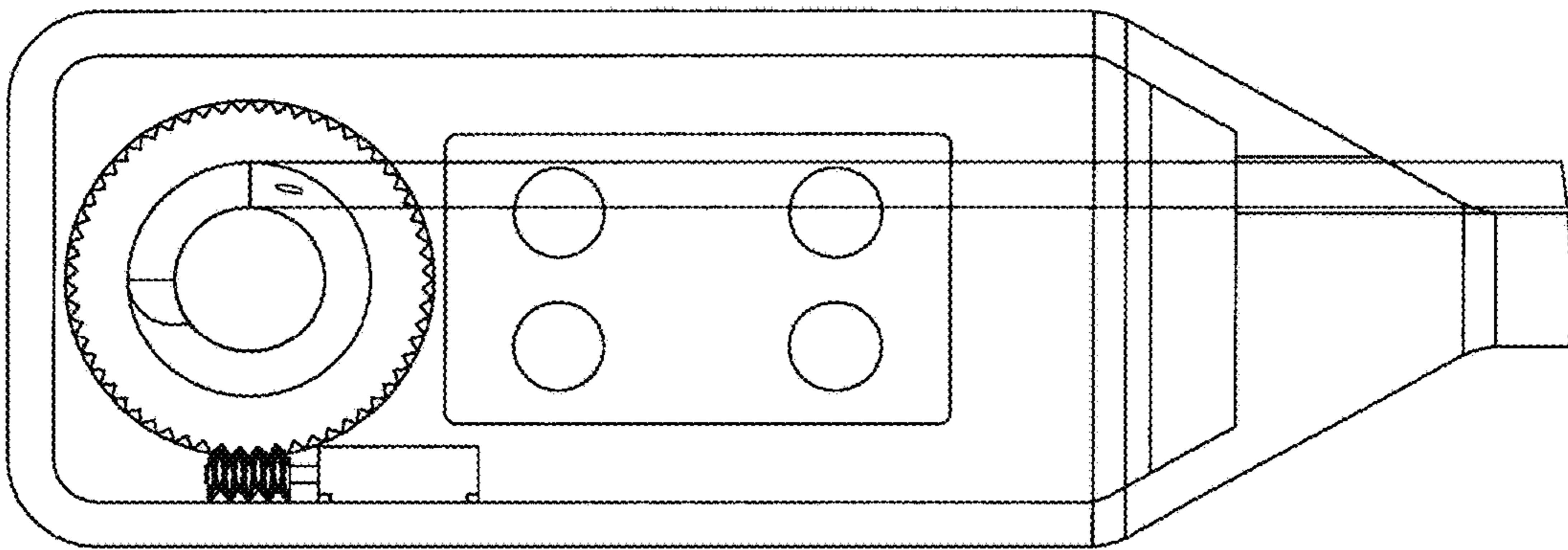


FIG. 53

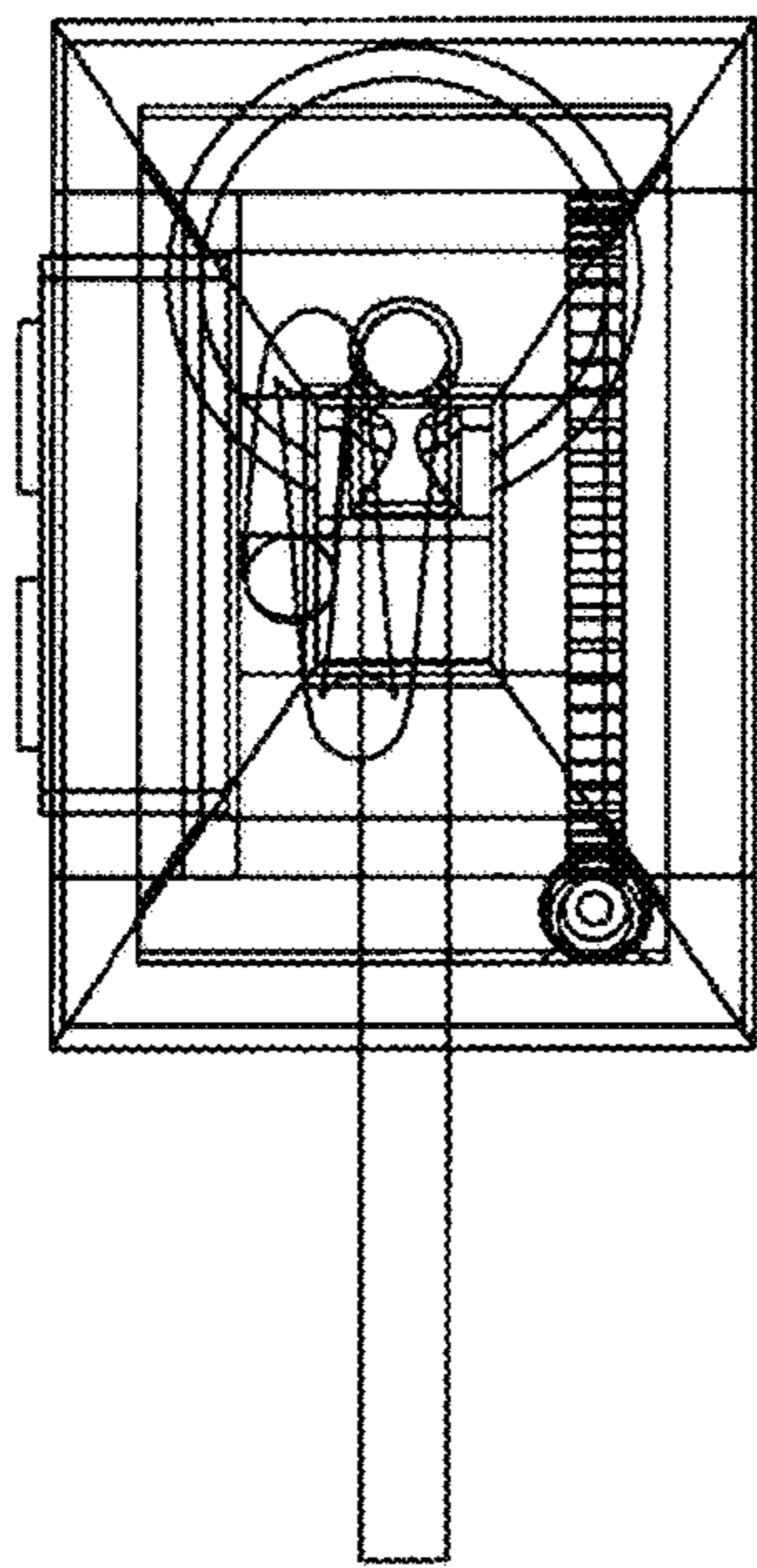


FIG. 54

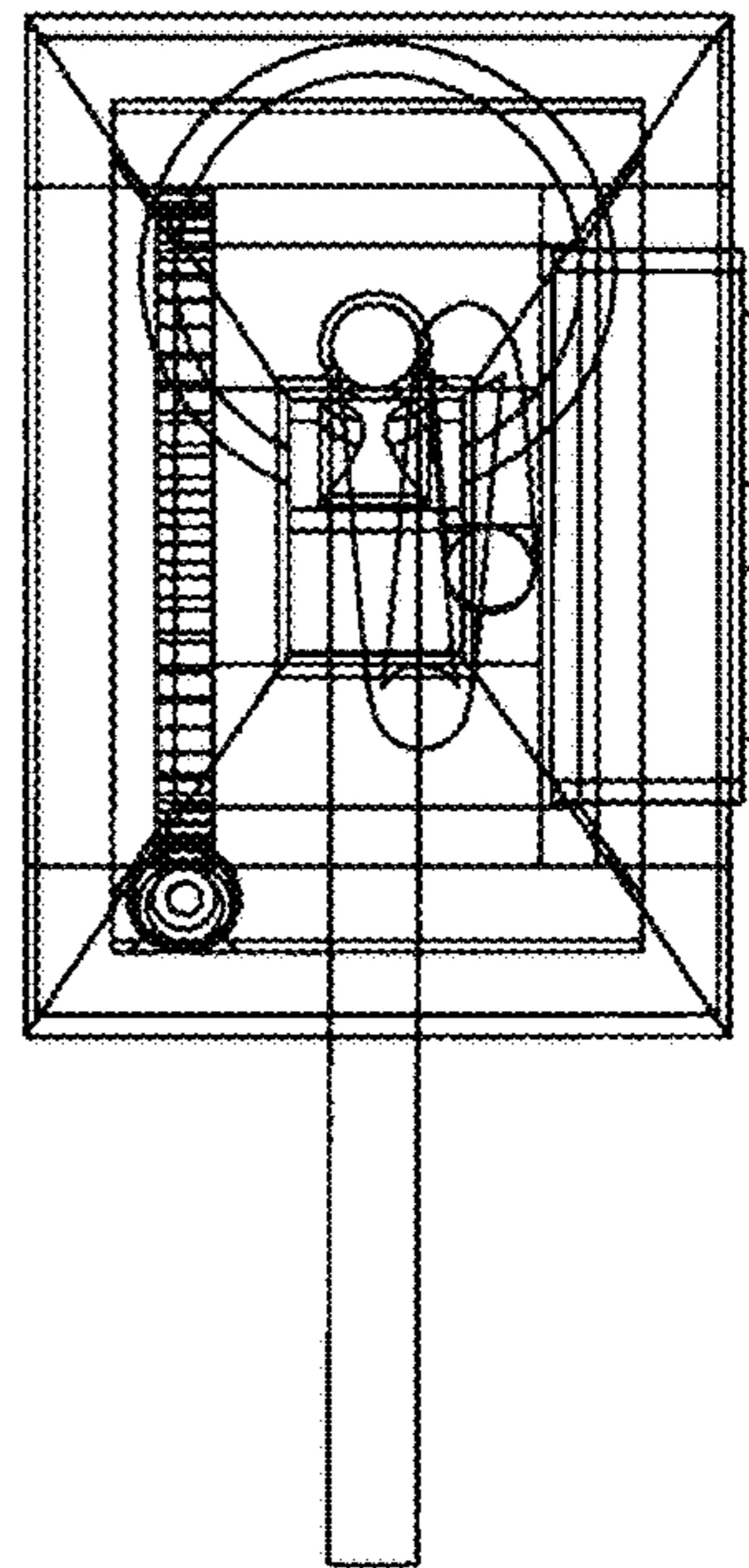


FIG. 55

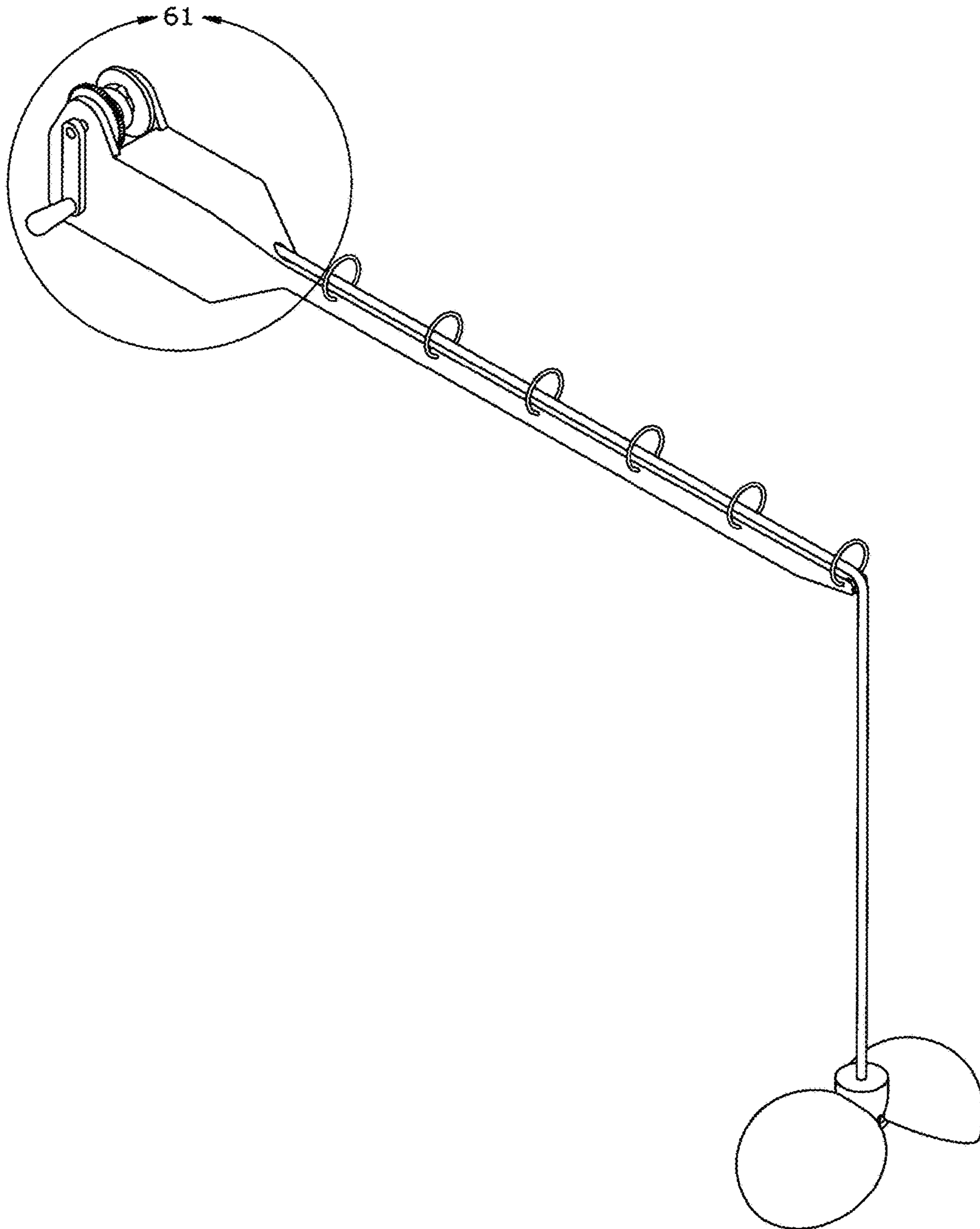


FIG. 56

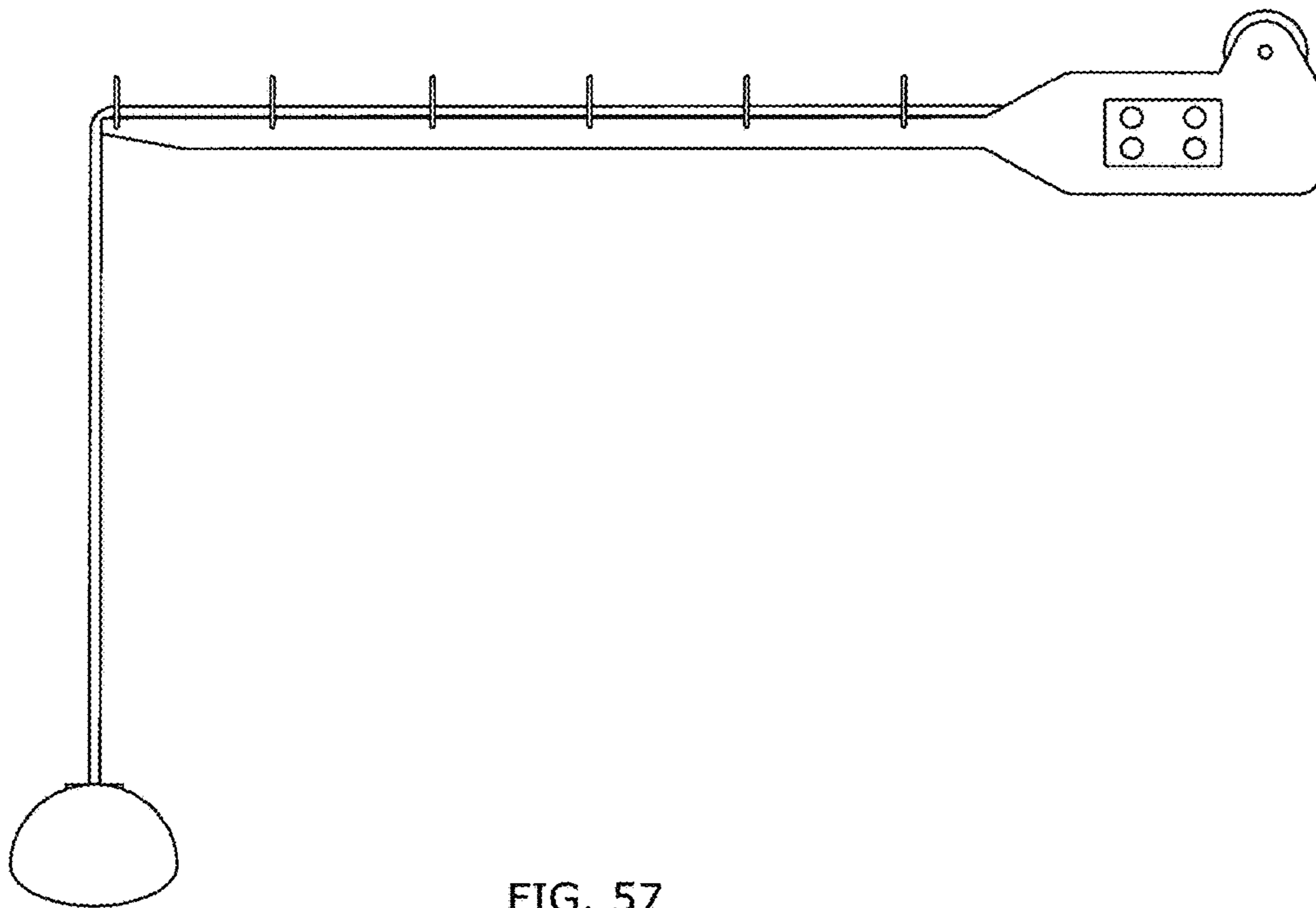


FIG. 57

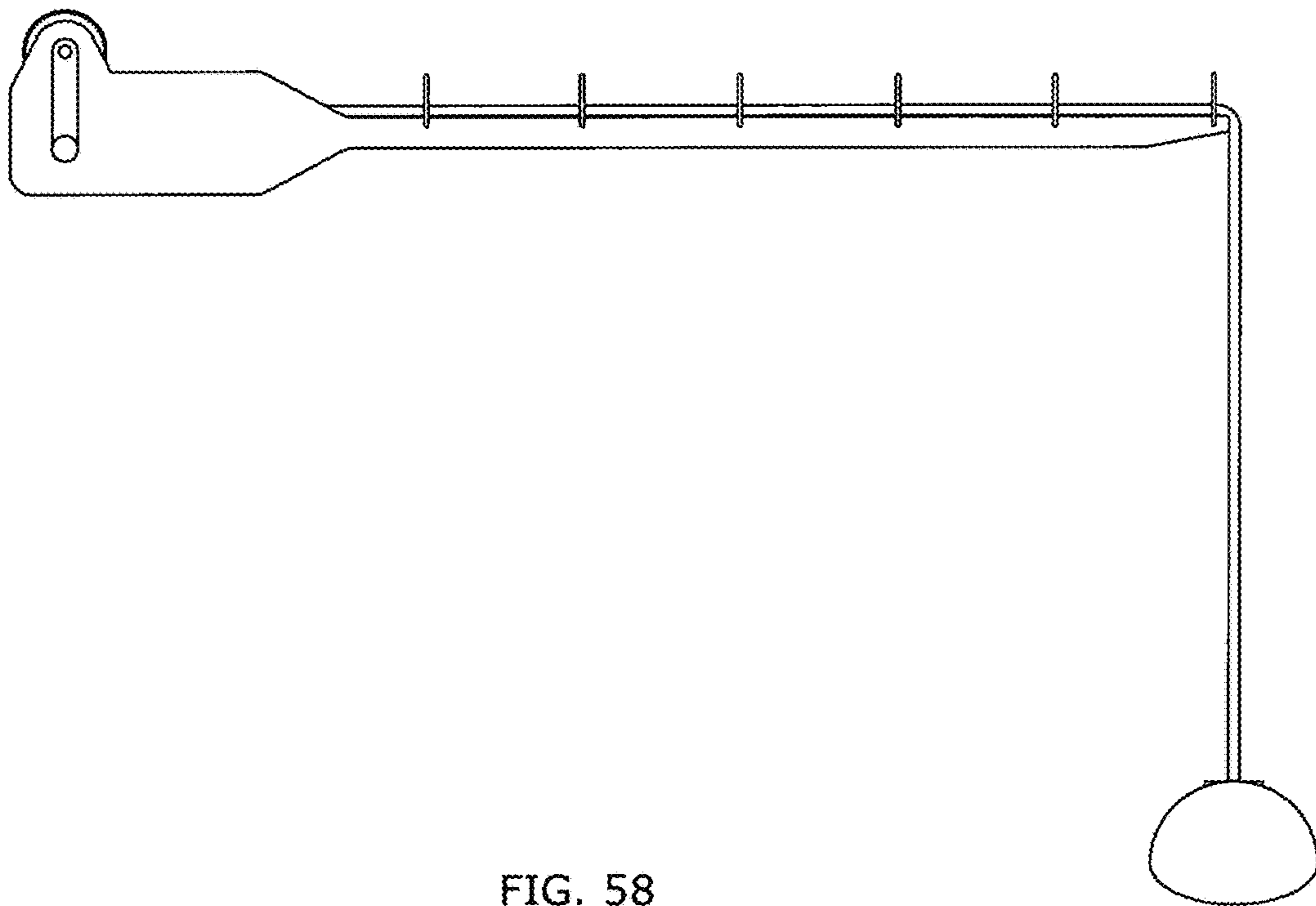


FIG. 58

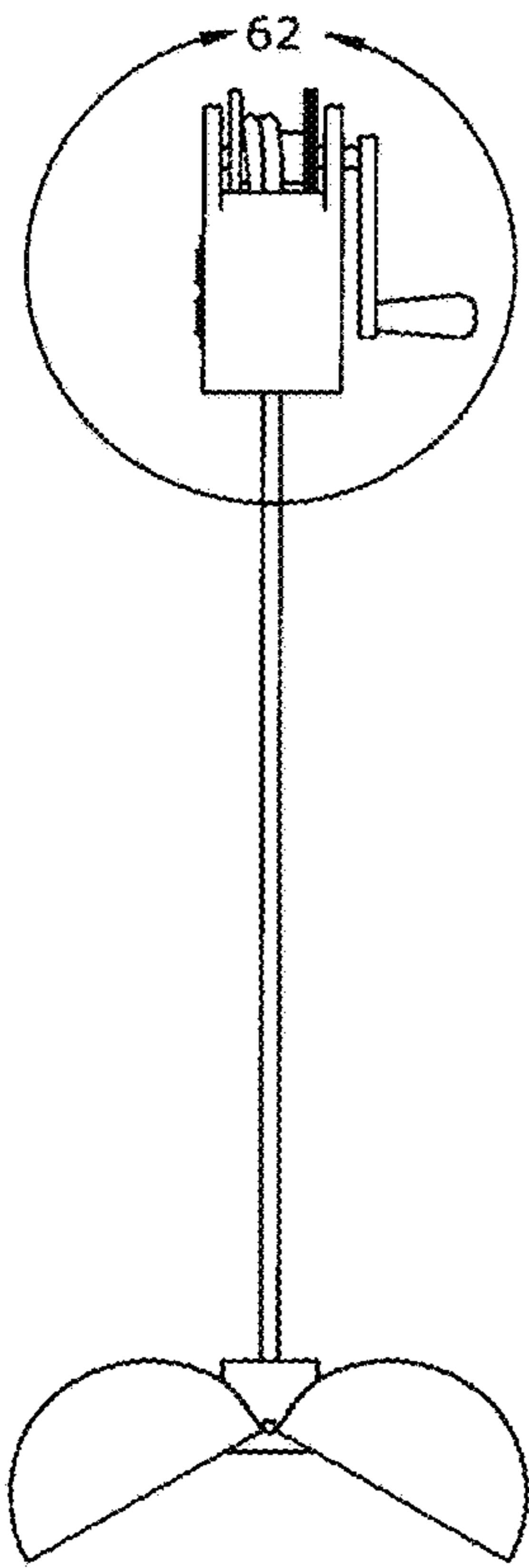


FIG. 59

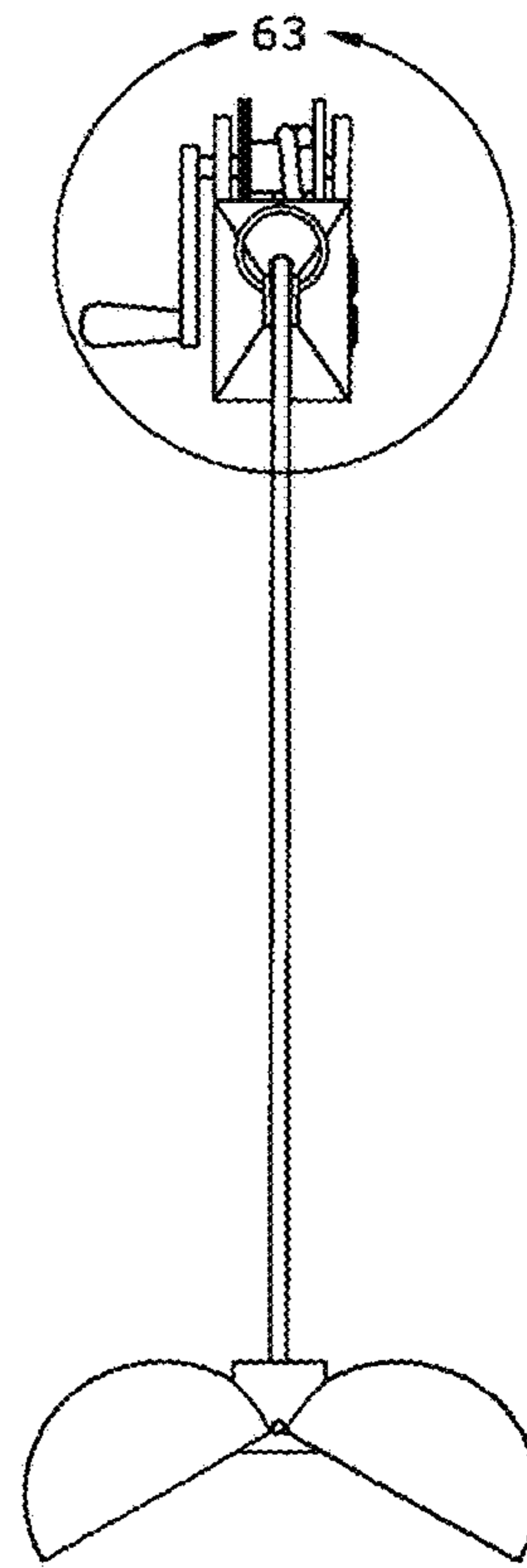


FIG. 60

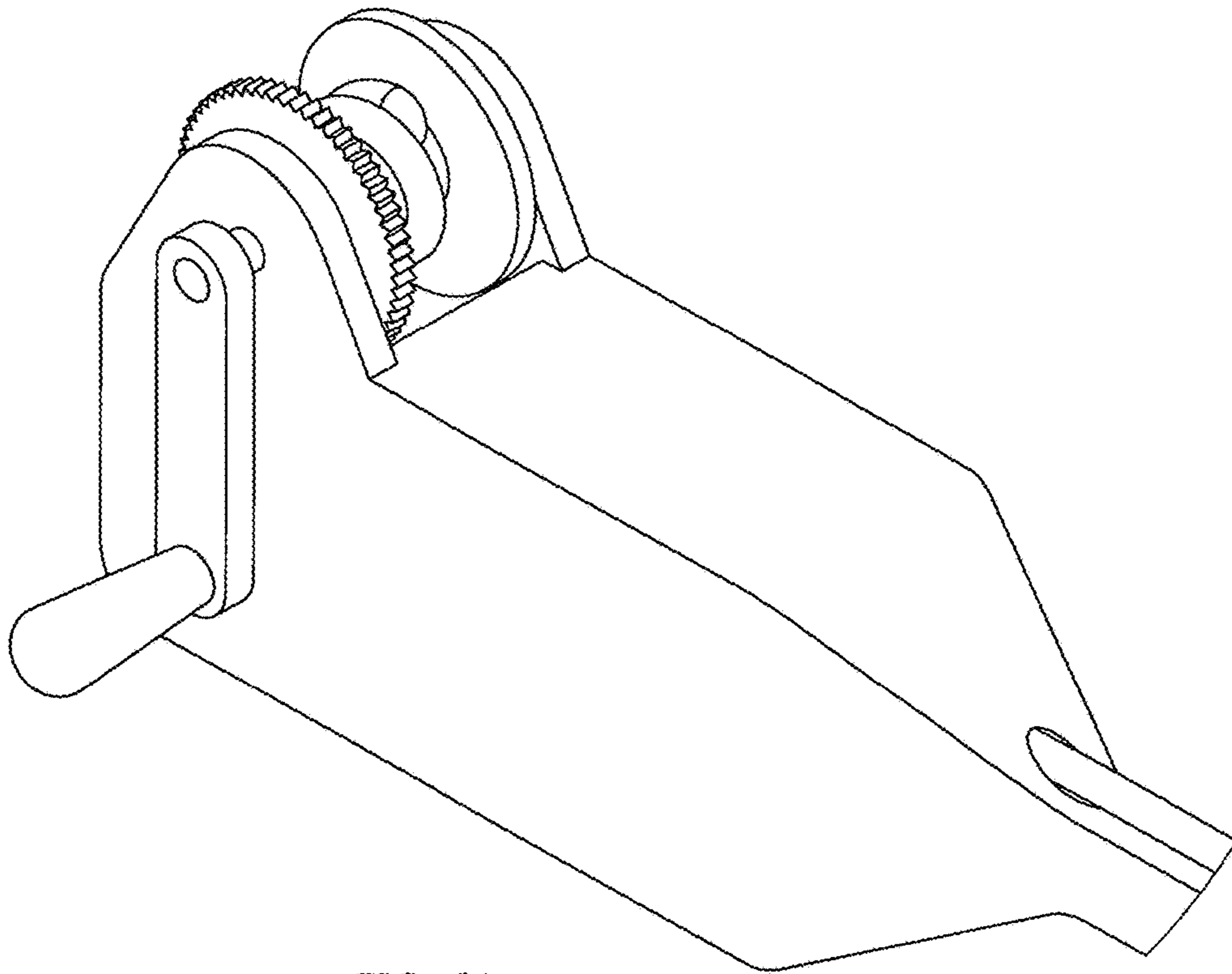


FIG. 61

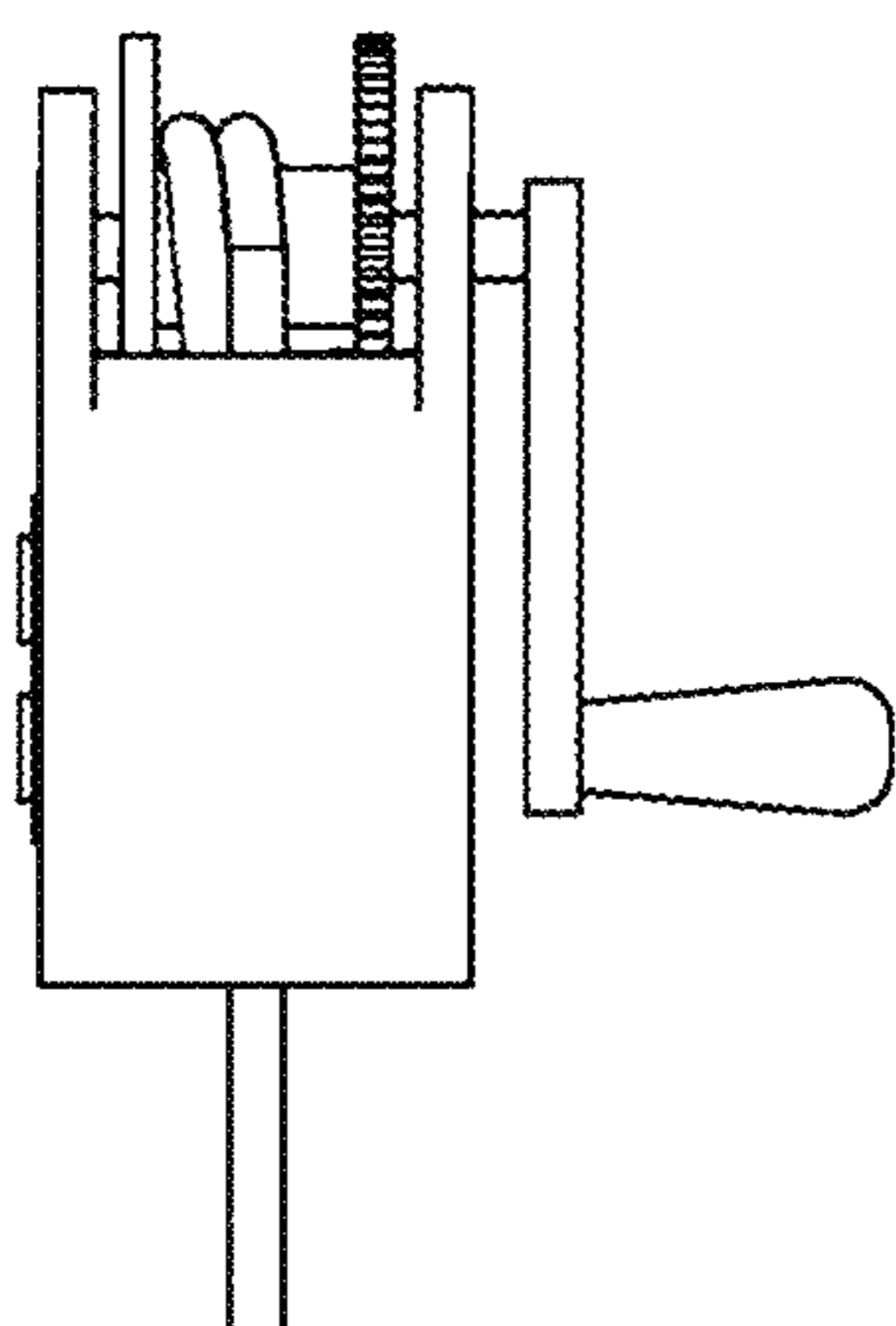


FIG. 62

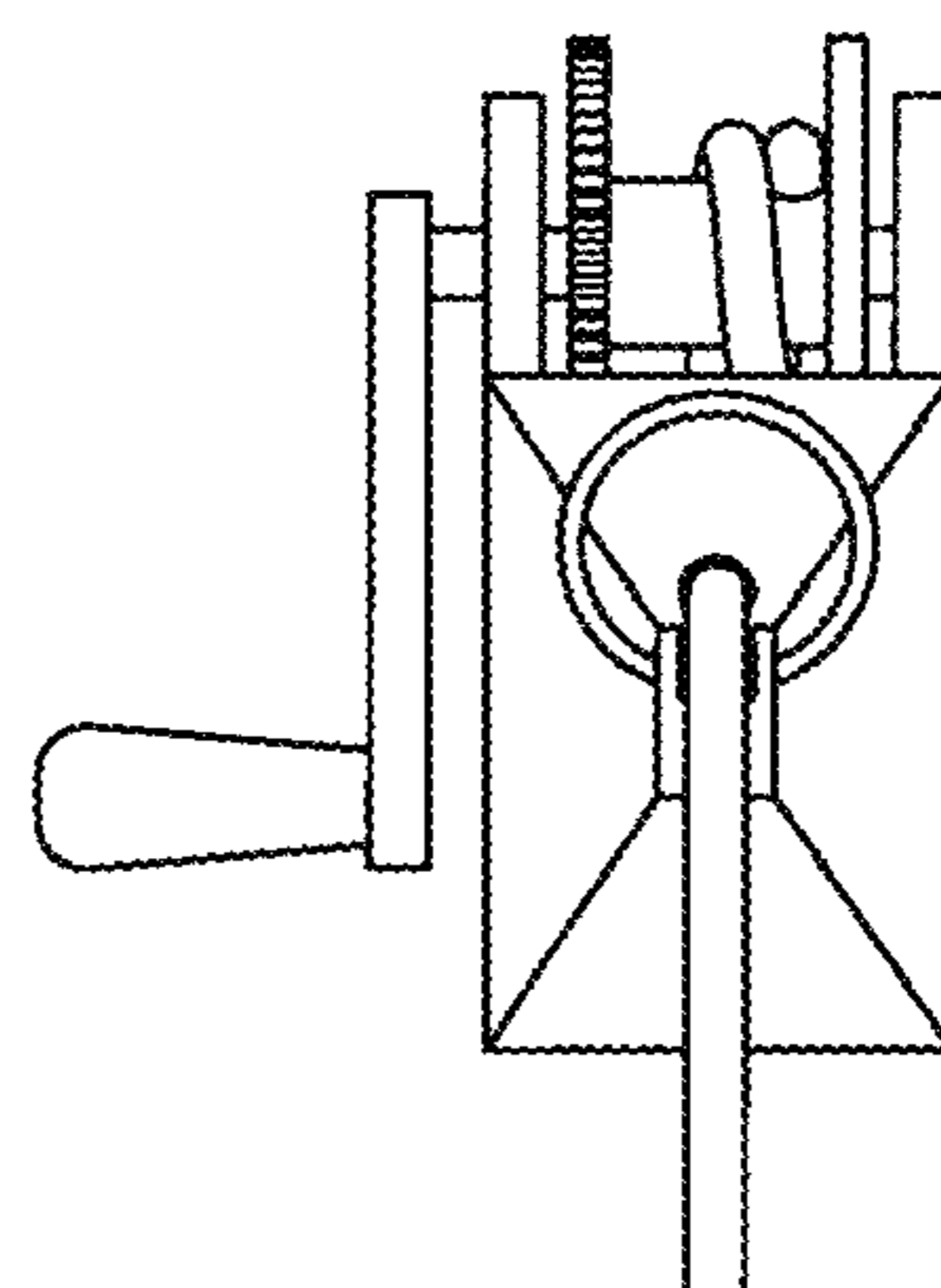


FIG. 63

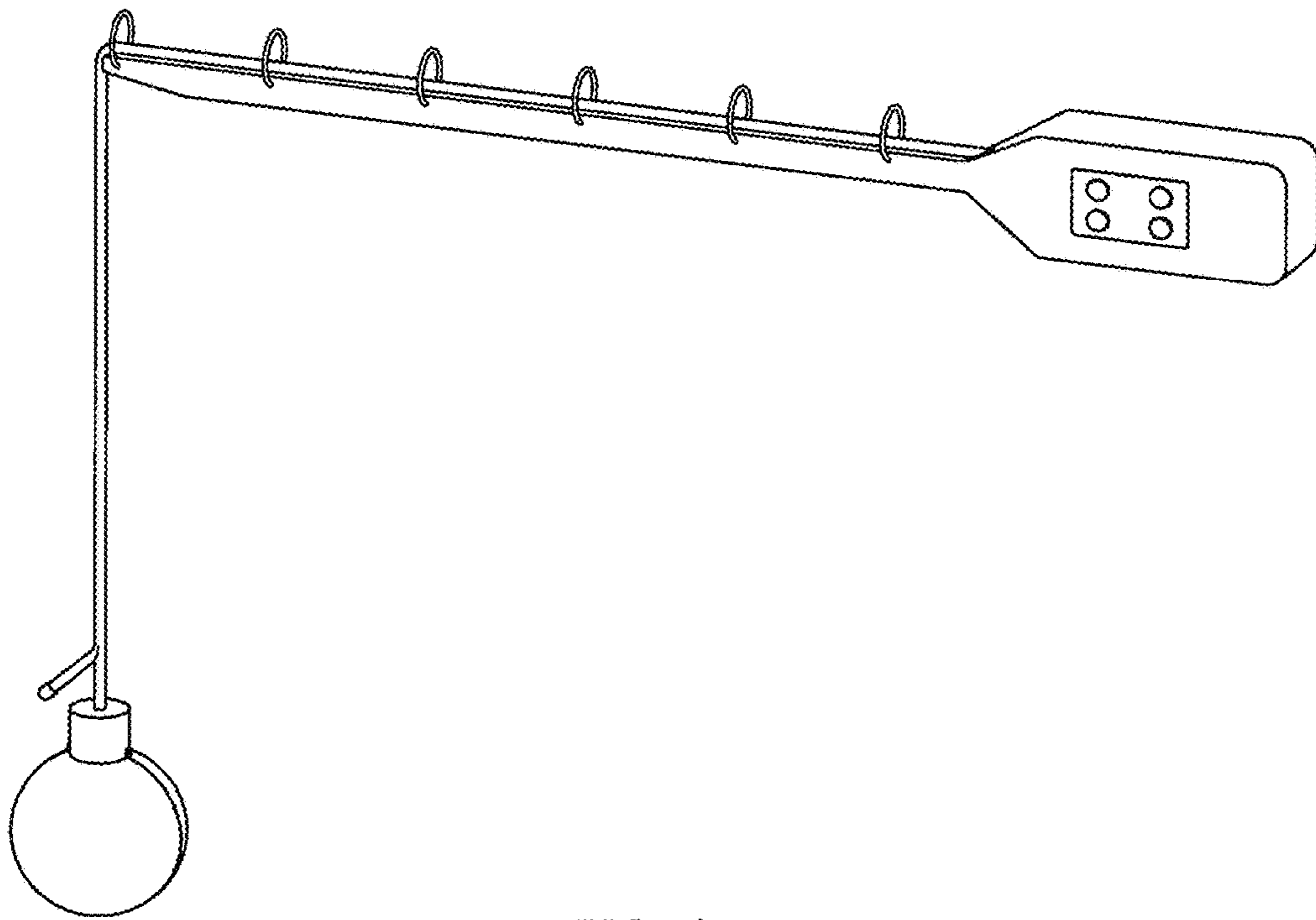


FIG. 64

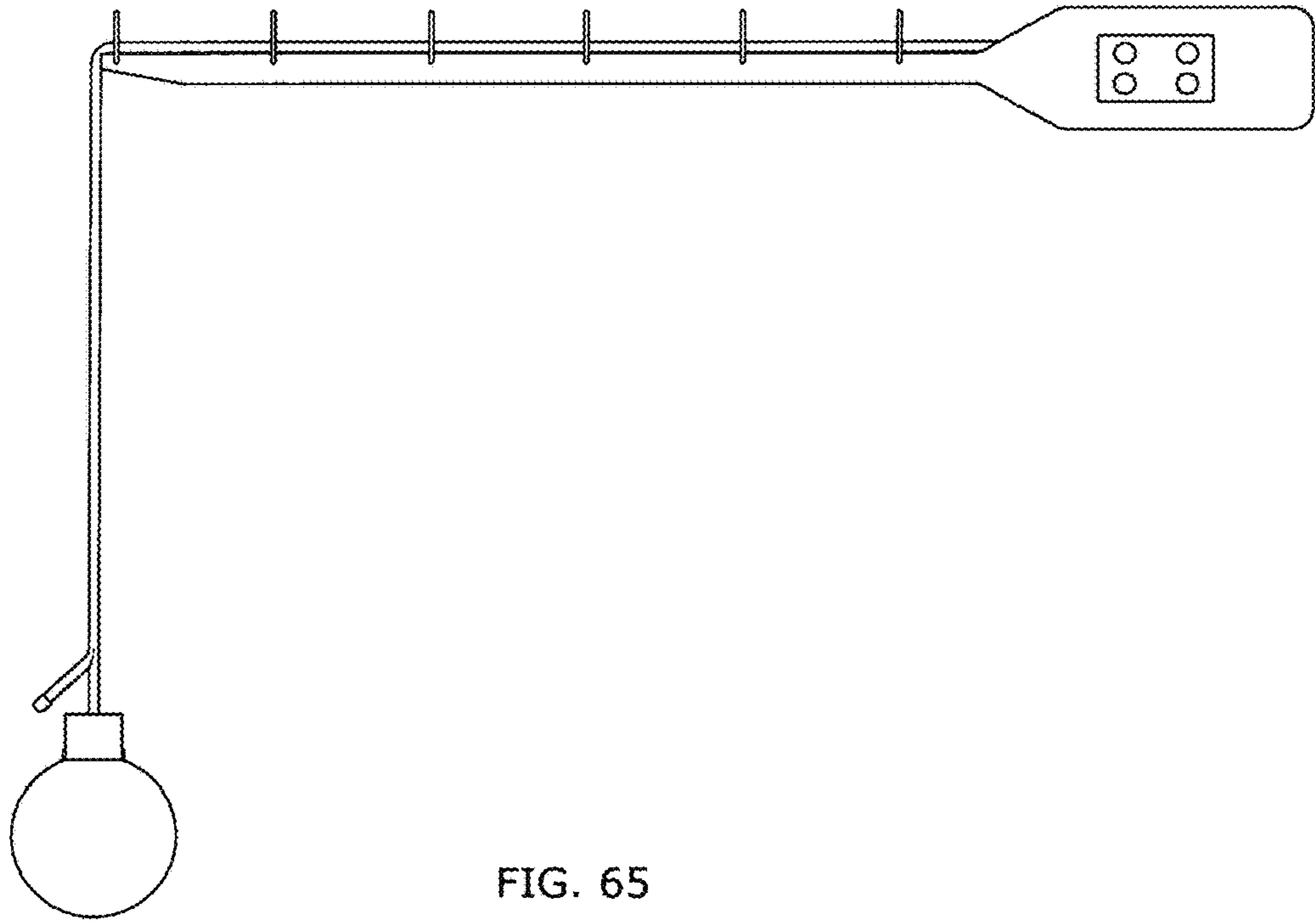


FIG. 65

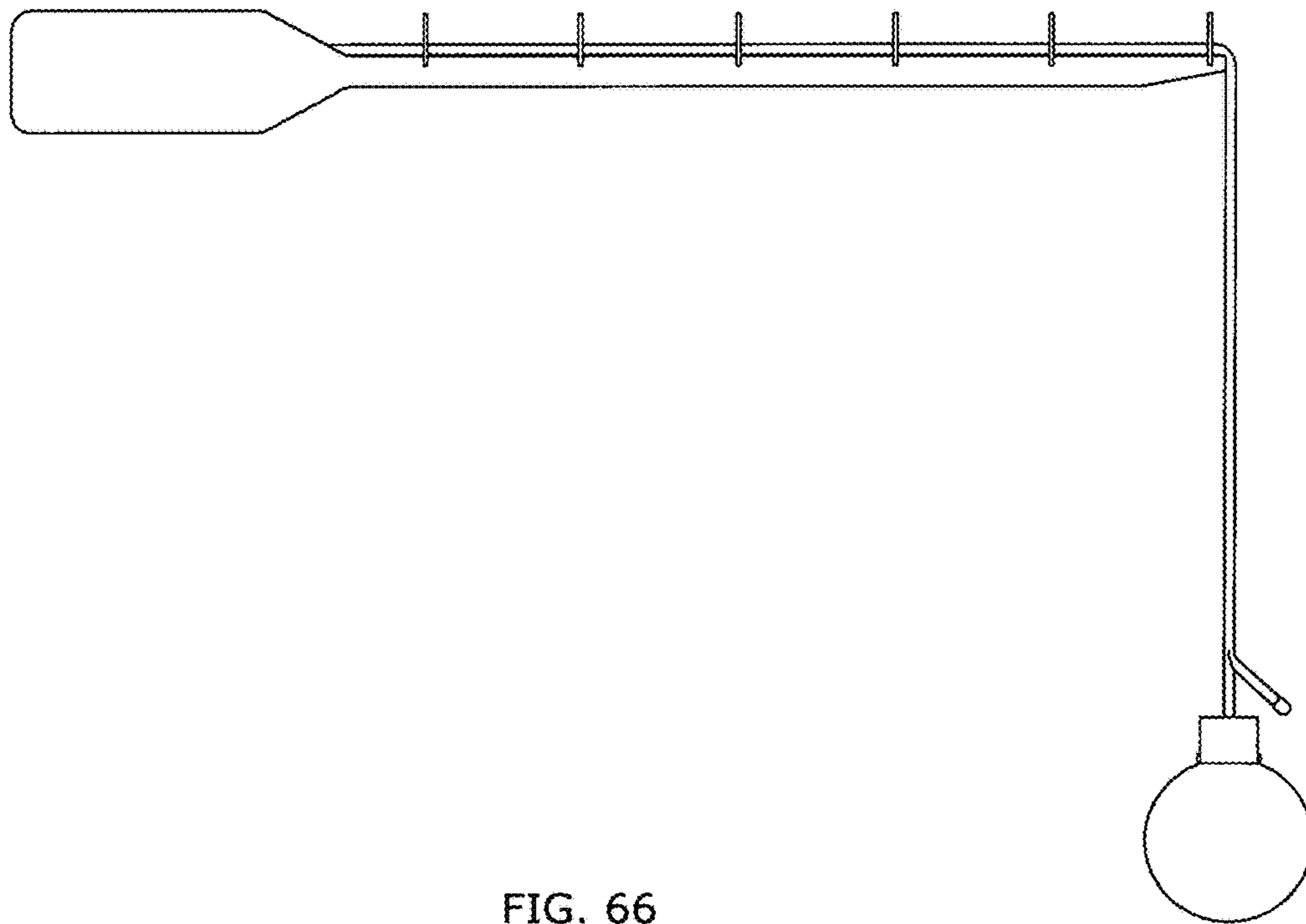


FIG. 66

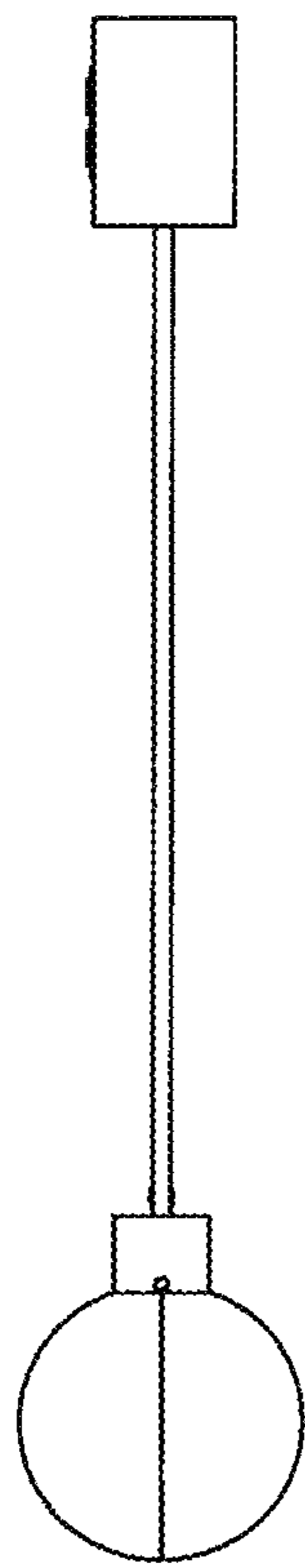


FIG. 67

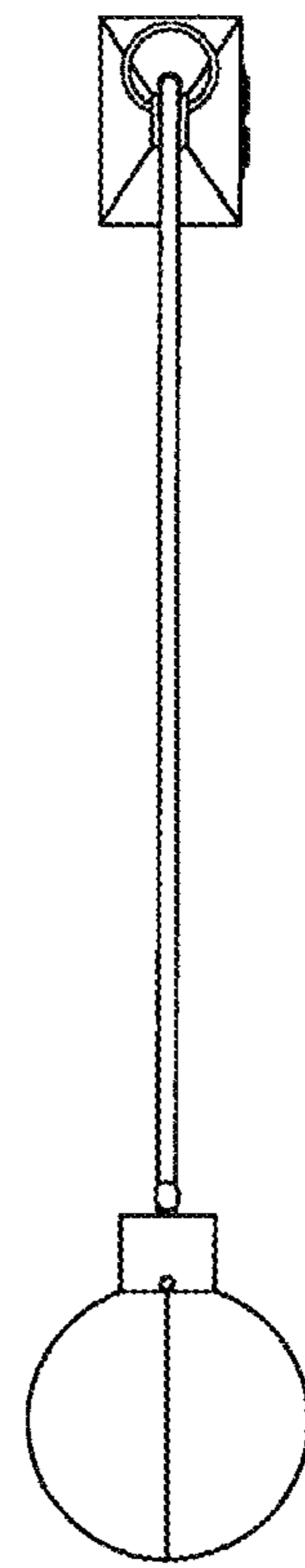


FIG. 68

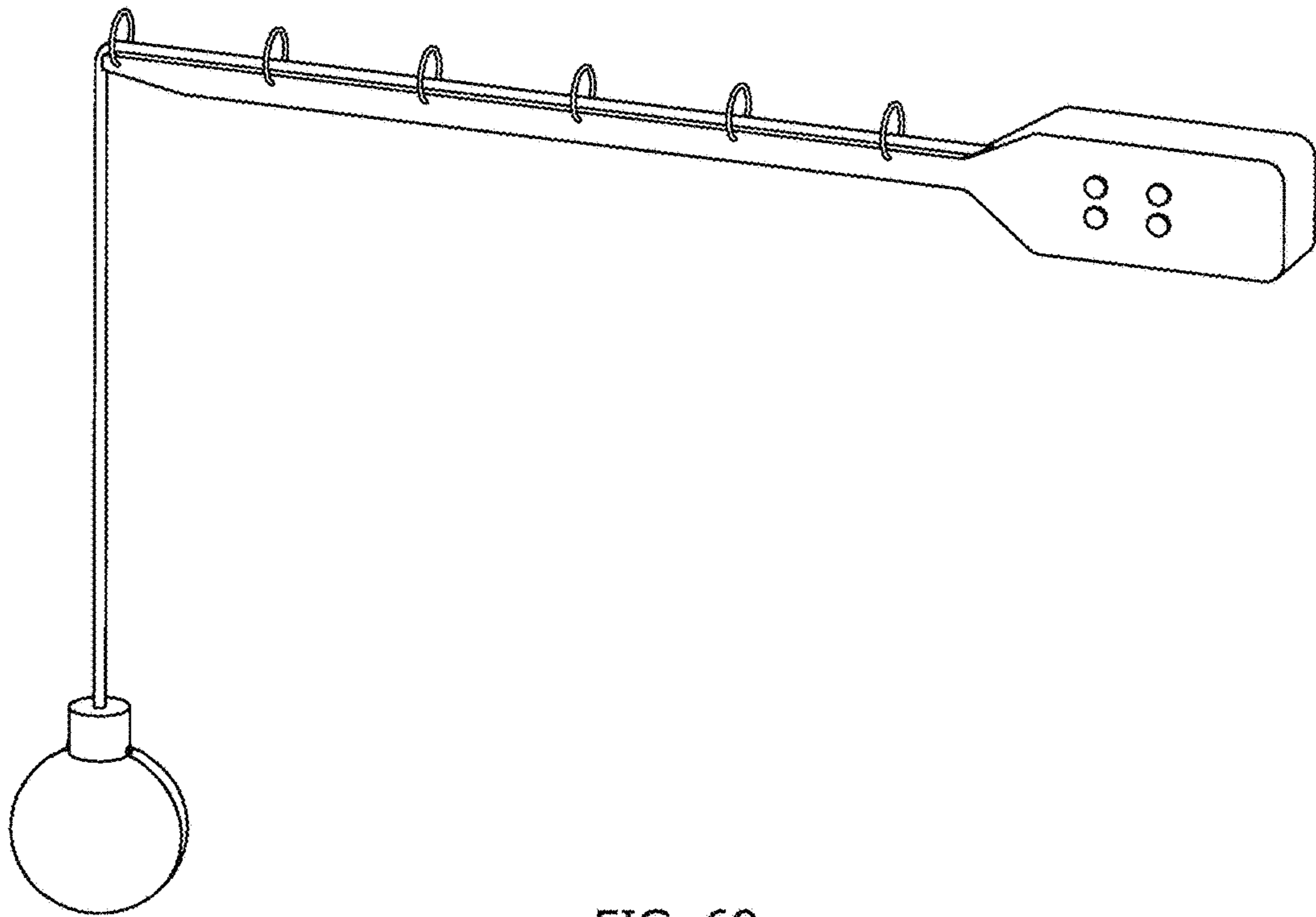


FIG. 69

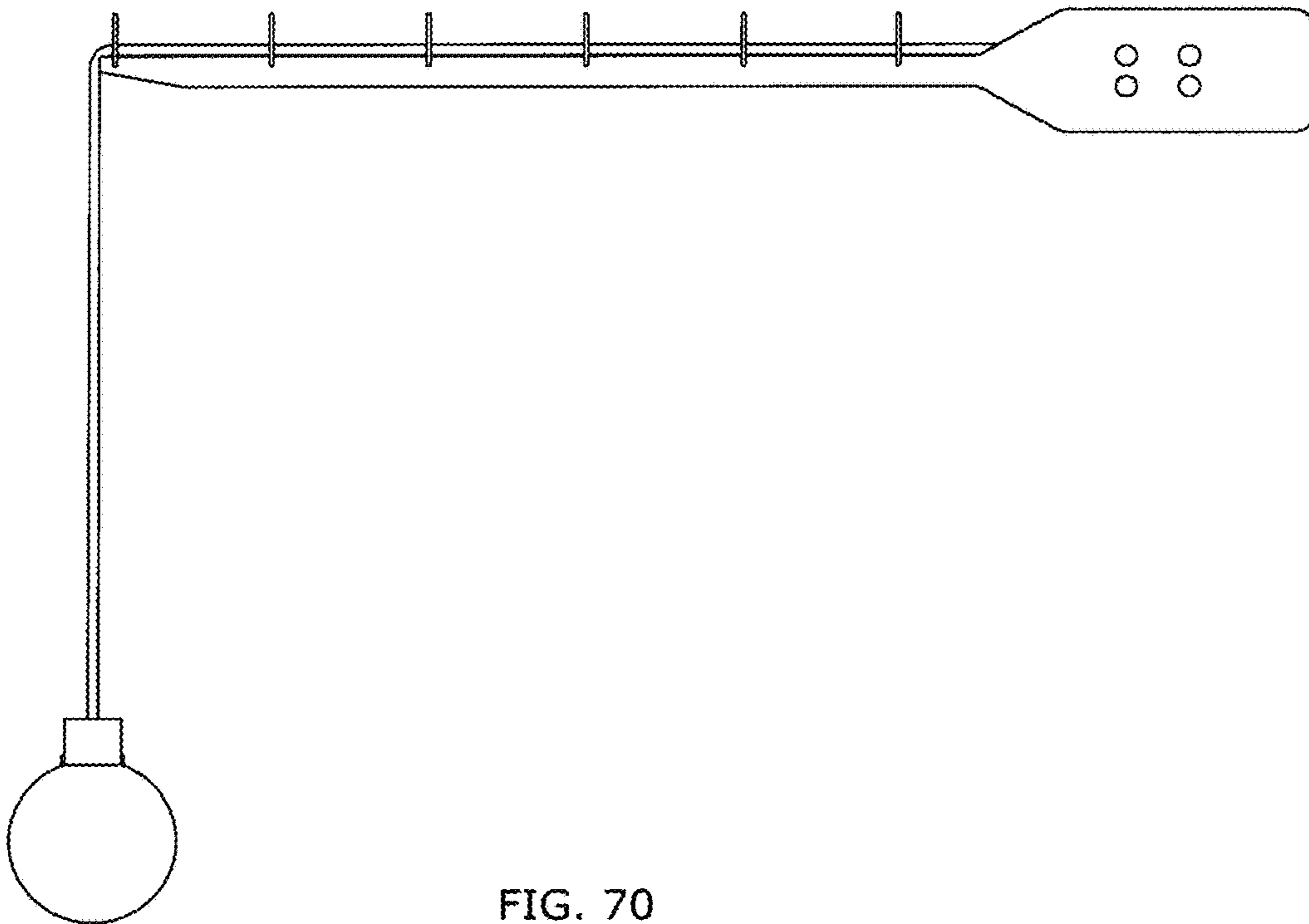


FIG. 70

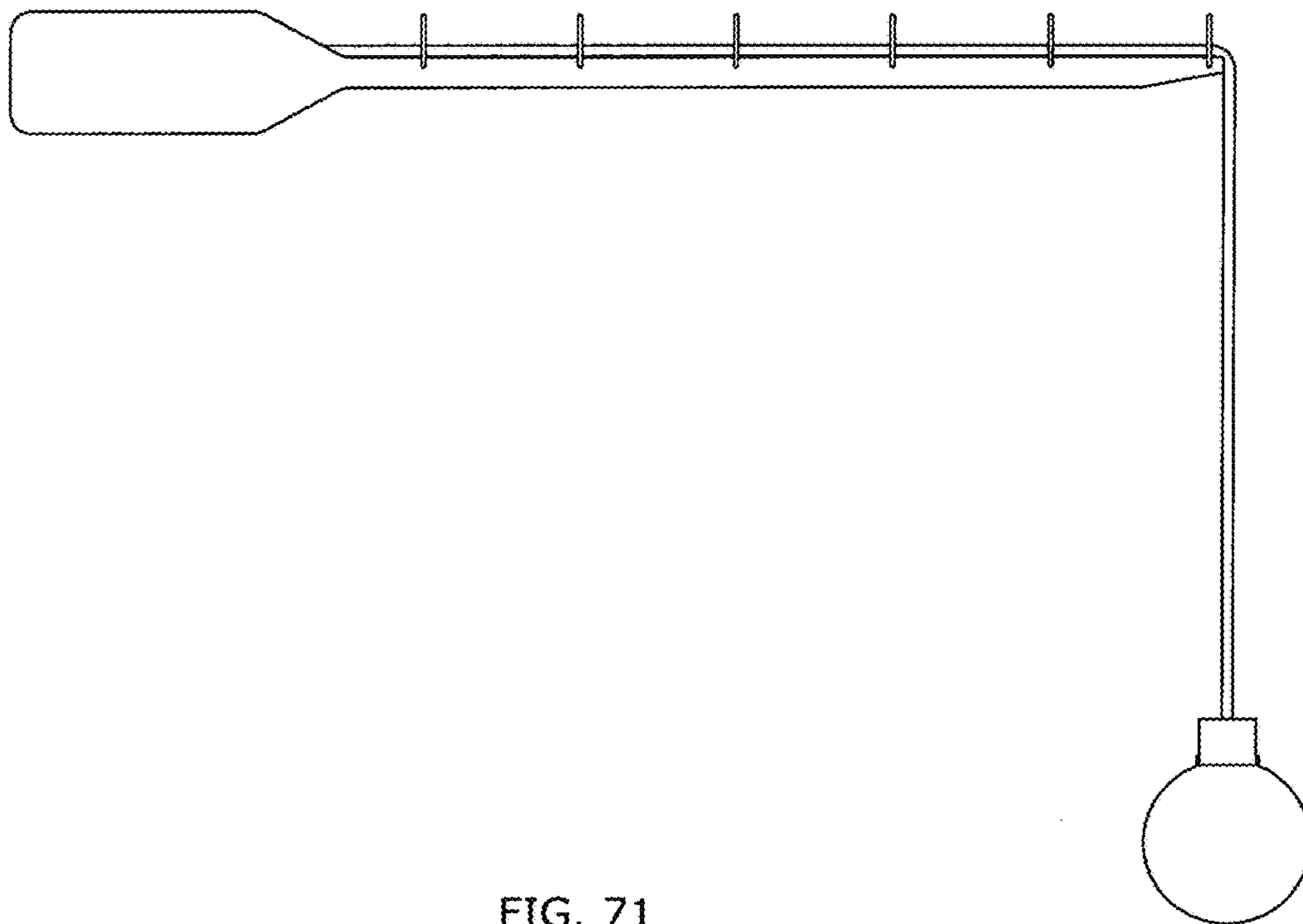


FIG. 71

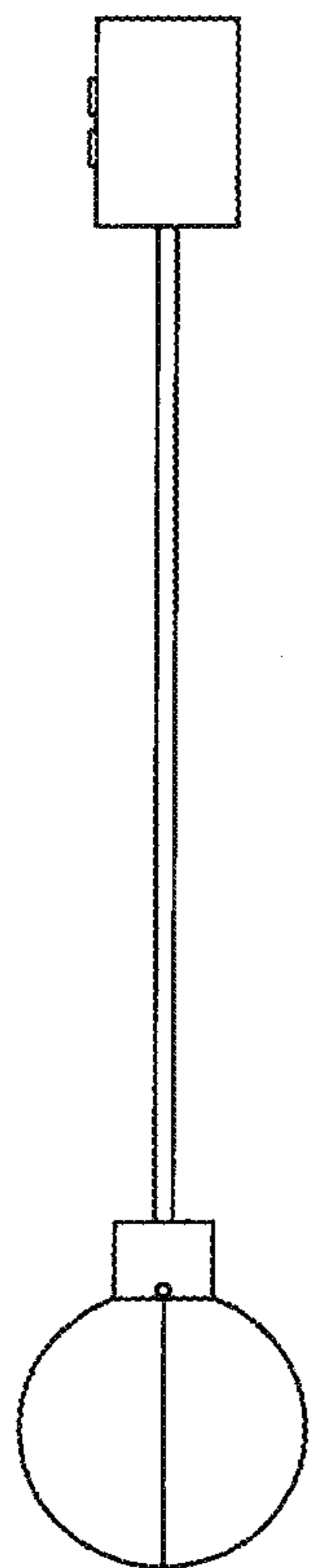


FIG. 72

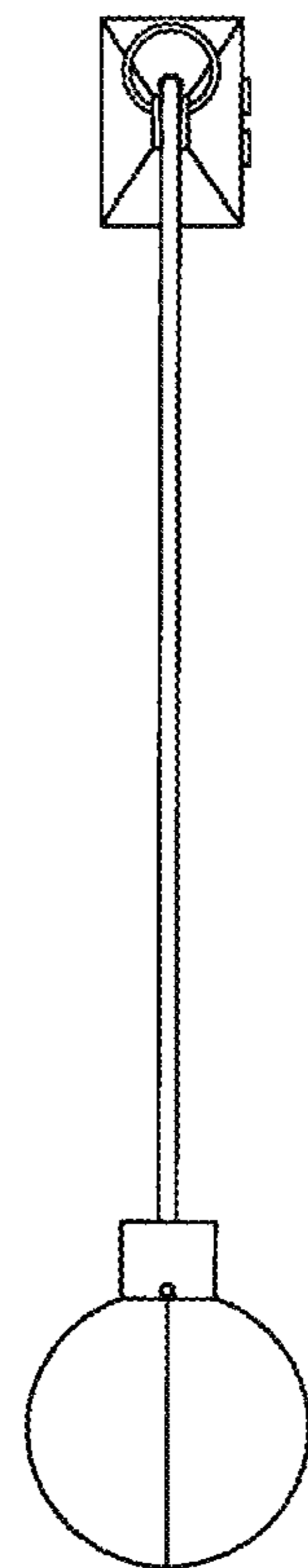


FIG. 73