



US00D864348S

(12) **United States Design Patent**  
**Hisaw**

(10) **Patent No.:** **US D864,348 S**

(45) **Date of Patent:** **\*\* Oct. 22, 2019**

(54) **FISHING LURE RETRIEVING APPARATUS**

(71) Applicant: **Danny Lee Hisaw**, Valijant, OK (US)

(72) Inventor: **Danny Lee Hisaw**, Valijant, OK (US)

(\*\*) Term: **15 Years**

(21) Appl. No.: **29/655,924**

(22) Filed: **Jul. 9, 2018**

(51) **LOC (12) Cl.** ..... **22-05**

(52) **U.S. Cl.**  
USPC ..... **D22/134**

(58) **Field of Classification Search**  
USPC ..... D22/134, 126-133; 43/17.2, 43.2, 44.87,  
43/43.4, 44.97, 44.93, 44.96  
CPC ..... A01K 85/00; A01K 85/16; A01K 93/00;  
A01K 97/00; A01K 97/24  
See application file for complete search history.

(56) **References Cited**

**U.S. PATENT DOCUMENTS**

2,493,971	A *	1/1950	Johnson	.....	A01K 93/00 43/44.87
2,802,294	A *	8/1957	Litwin	.....	A01K 85/16 43/42.22
3,216,143	A *	11/1965	Seldon	.....	A01K 97/24 43/17.2
3,570,163	A *	3/1971	Condor	.....	A01K 97/24 43/17.2

3,693,277	A *	9/1972	Wells	.....	A01K 97/24 43/17.2
D274,547	S *	7/1984	Godlewski	.....	D22/134
D279,713	S *	7/1985	Gregory	.....	D22/134
D296,125	S *	6/1988	Hain	.....	D22/134
4,918,858	A *	4/1990	Maxfield, Sr.	.....	A01K 97/24 43/17.2
2008/0178515	A1 *	7/2008	Irvine	.....	A01K 97/24 43/17.2

\* cited by examiner

*Primary Examiner* — Catherine R Oliver-Garcia

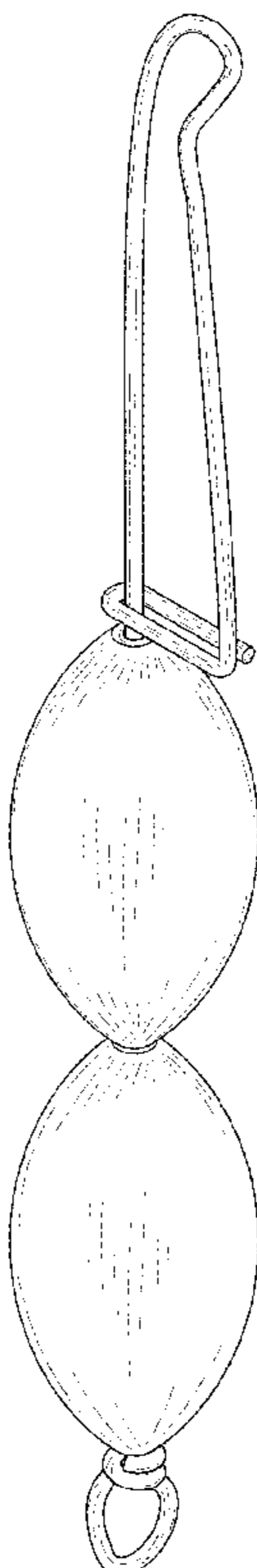
(57) **CLAIM**

The ornamental design for a fishing lure retrieving apparatus, as shown and described.

**DESCRIPTION**

FIG. 1 is a perspective view of the fishing lure retrieving apparatus showing my new design;  
FIG. 2 is a front elevational view thereof;  
FIG. 3 is a rear elevational view thereof;  
FIG. 4 is a left side elevational view thereof;  
FIG. 5 is a right side elevational view thereof;  
FIG. 6 is an enlarged top plan view thereof; and,  
FIG. 7 is an enlarged bottom plan view thereof.

**1 Claim, 7 Drawing Sheets**



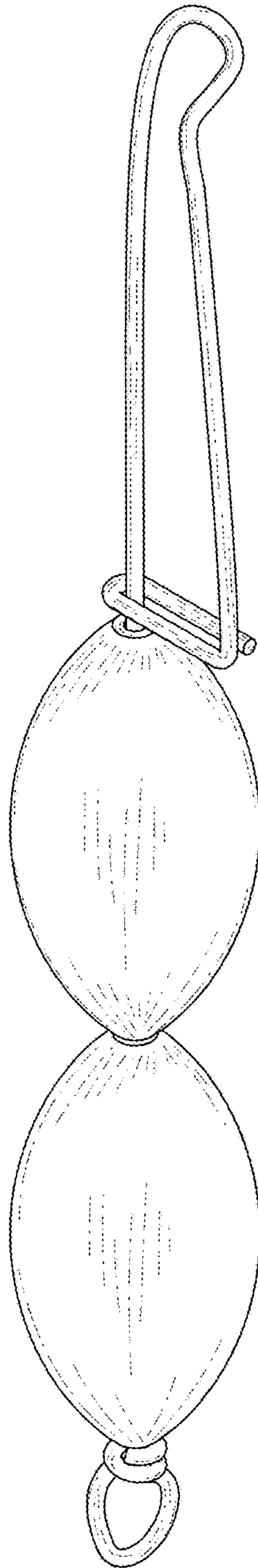


FIG 1

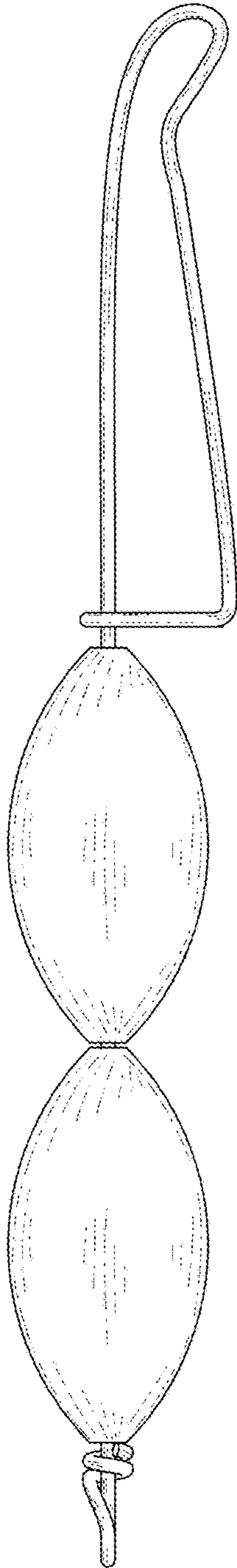


FIG 2

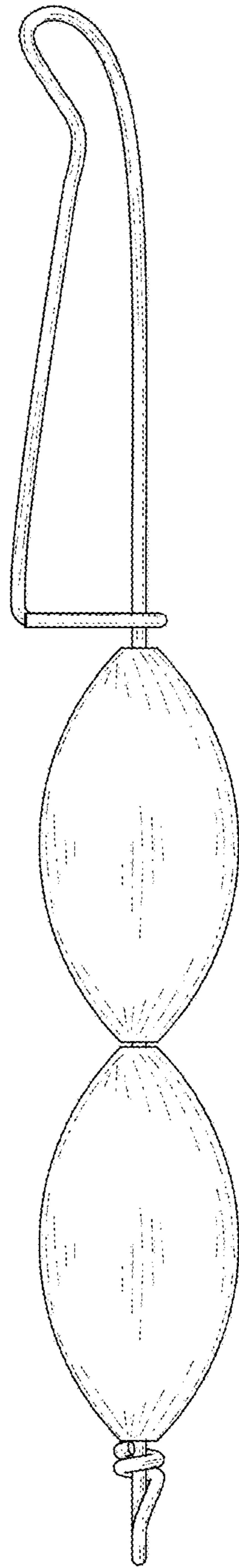


FIG 3

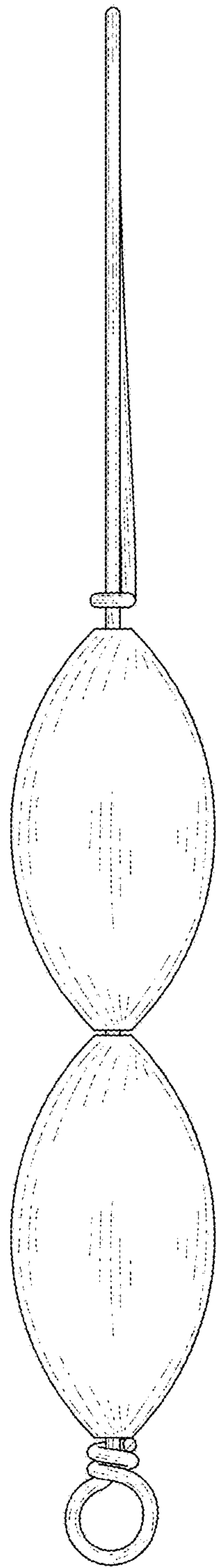


FIG 4

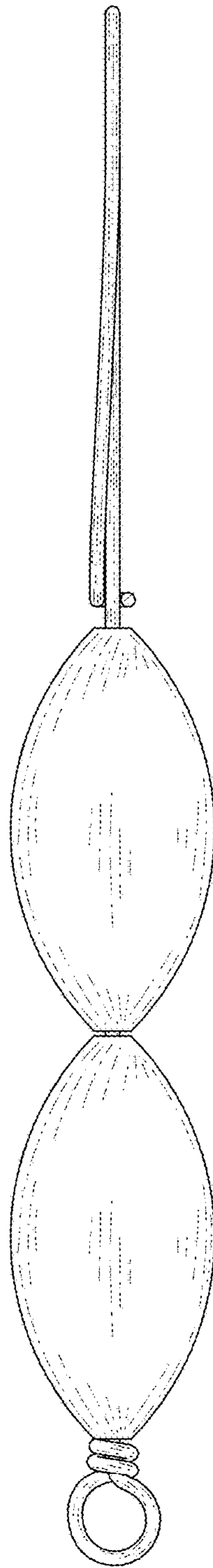


FIG 5

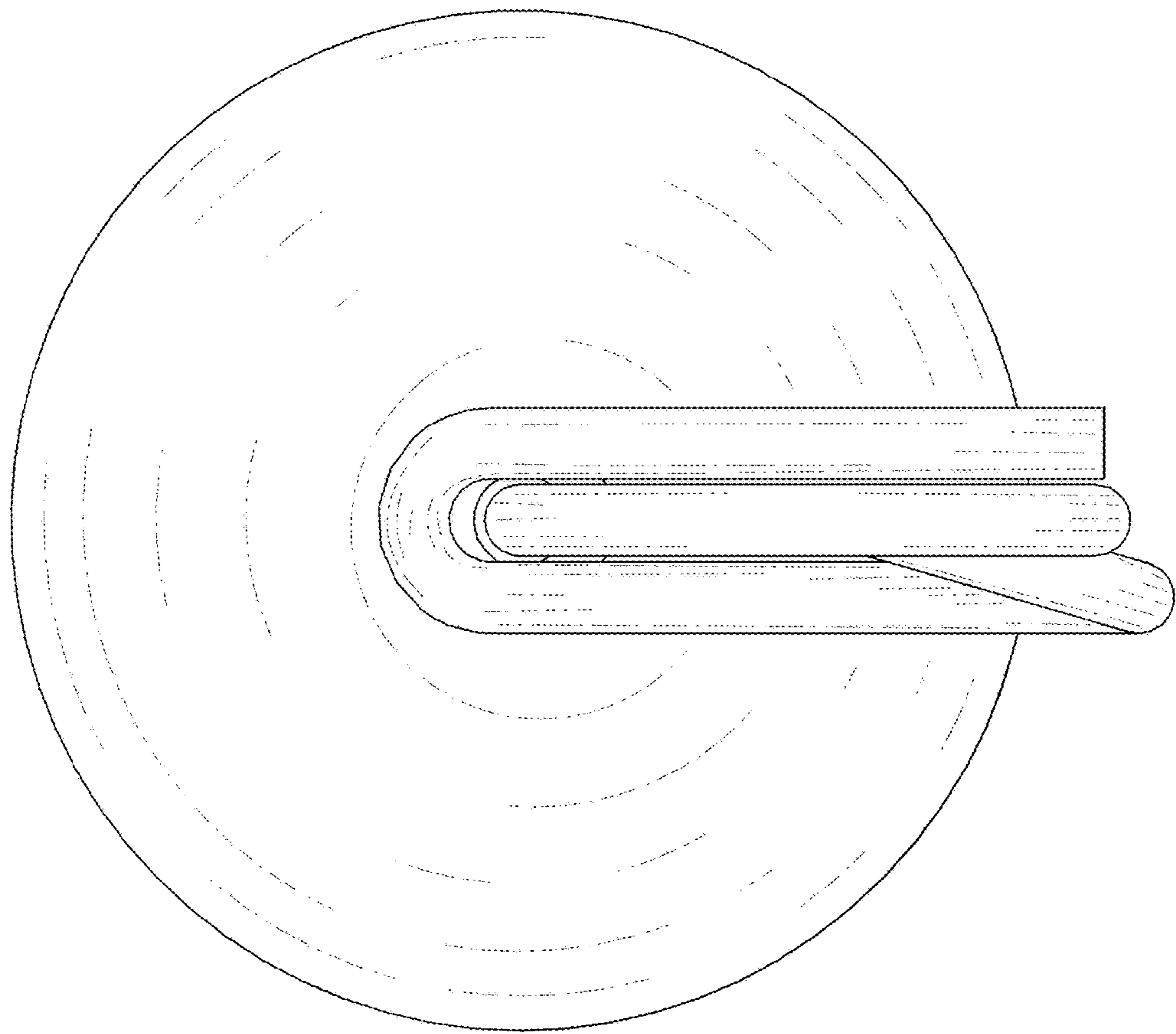


FIG 6

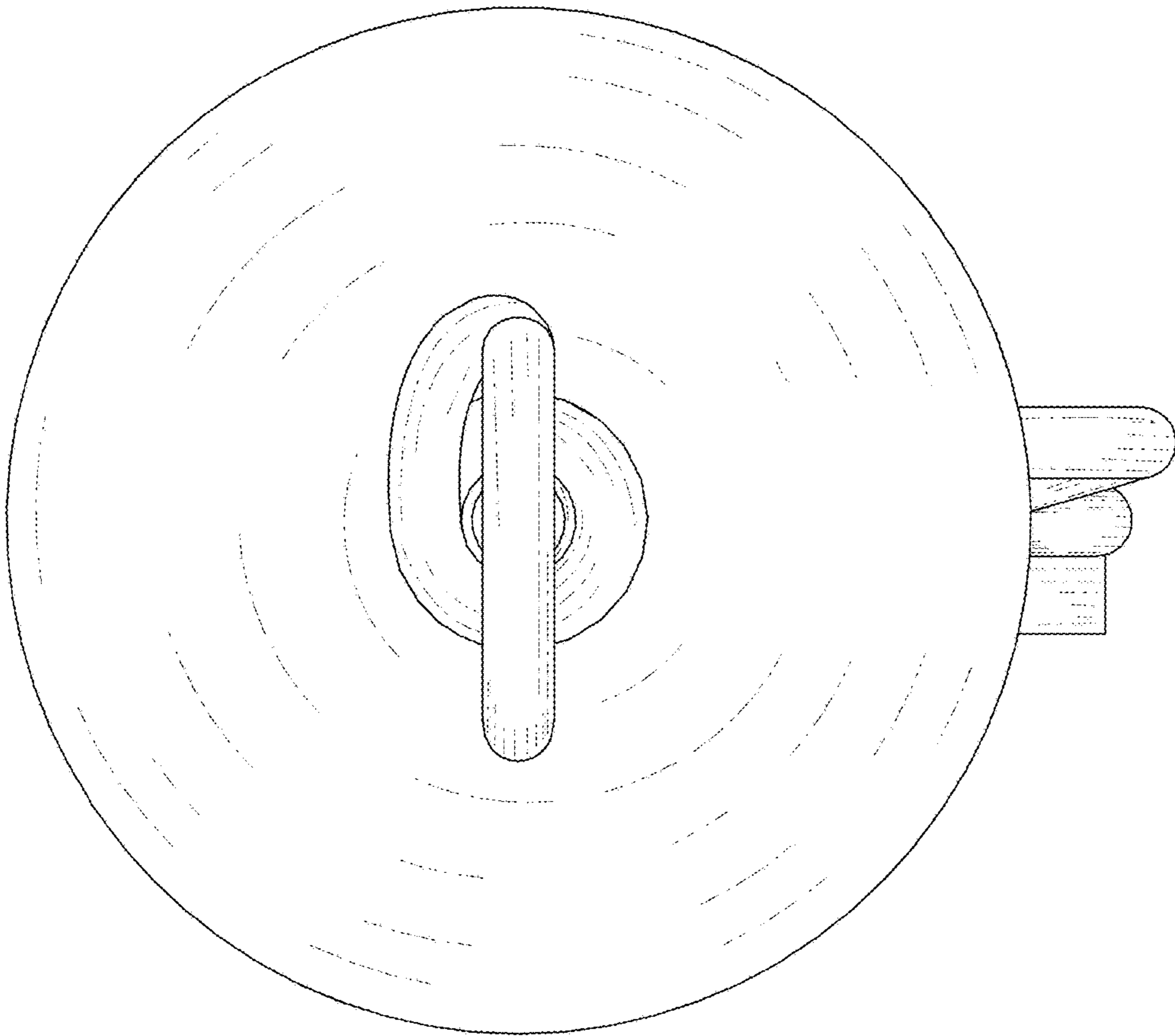


FIG 7