

US00D864345S

(12) **United States Design Patent** (10) **Patent No.:** **US D864,345 S**
Yi (45) **Date of Patent:** **** Oct. 22, 2019**

(54) **GUN MAGNET MOUNTING DEVICE**

(71) Applicant: **Wei Yi**, Guangdong (CN)

(72) Inventor: **Wei Yi**, Guangdong (CN)

(**) Term: **15 Years**

(21) Appl. No.: **29/633,483**

(22) Filed: **Jan. 14, 2018**

(51) **LOC (12) Cl.** **22-01**

(52) **U.S. Cl.**
USPC **D22/109**

(58) **Field of Classification Search**
USPC D22/100, 108, 199; D9/737, 425;
D24/206; D7/368, 388, 323, 351, 409;
D8/349, 354, 387
CPC . F41G 1/30; F41G 1/45; A47B 95/043; A47B
95/00; A47C 7/004; A47G 23/04; F24C
15/34; A47J 36/022; A47J 36/027; B65D
85/00; B65D 85/48; B65D 81/056; B65D
2581/053; B65D 81/05; E04F 13/06;
E04F 19/0436; E04F 19/0495; E04H
15/32; F16B 45/00

See application file for complete search history.

(56) **References Cited**

U.S. PATENT DOCUMENTS

3,048,526 A * 8/1962 Boswell A61J 3/10
424/472
D252,313 S * 7/1979 Landry D7/388
4,206,570 A * 6/1980 Cooper A47G 7/02
215/394
D371,276 S * 7/1996 Laib D7/388
D371,958 S * 7/1996 Keaton D7/388
D402,501 S * 12/1998 Powers D7/503
D469,350 S * 1/2003 Zettlemyer D9/425
D502,052 S * 2/2005 Meade D7/388
D557,797 S * 12/2007 Stawski D24/101
D722,275 S * 2/2015 Lee D9/703

D786,092 S * 5/2017 Whitis D9/737
D801,517 S * 10/2017 Kassouni D24/101
D803,342 S * 11/2017 Goff D22/108
D804,721 S * 12/2017 Ghiotti D27/186
D811,214 S * 2/2018 Wu D9/428
D812,426 S * 3/2018 Kociolek A23B 7/105
D7/412
D820,378 S * 6/2018 Enmeier D22/125
2018/0086536 A1 * 3/2018 Cabiran A47J 36/027

OTHER PUBLICATIONS

Amazon.com, Gun Magnet Mount | 35 Lb Rated Adhesive Magnets, Earliest comment Feb. 12, 2018, [Site visited Jan. 21, 2019], Available on the Internet URL https://www.amazon.com/Adhesive-Magnets-IronMount-Magnetic-Concealed/dp/B078XPL2MN/ref=cm_cr_arp_d_product_top?ie=UTF8.*

* cited by examiner

Primary Examiner — Karen S Acker
Assistant Examiner — Steven B Reinholdt, Jr.

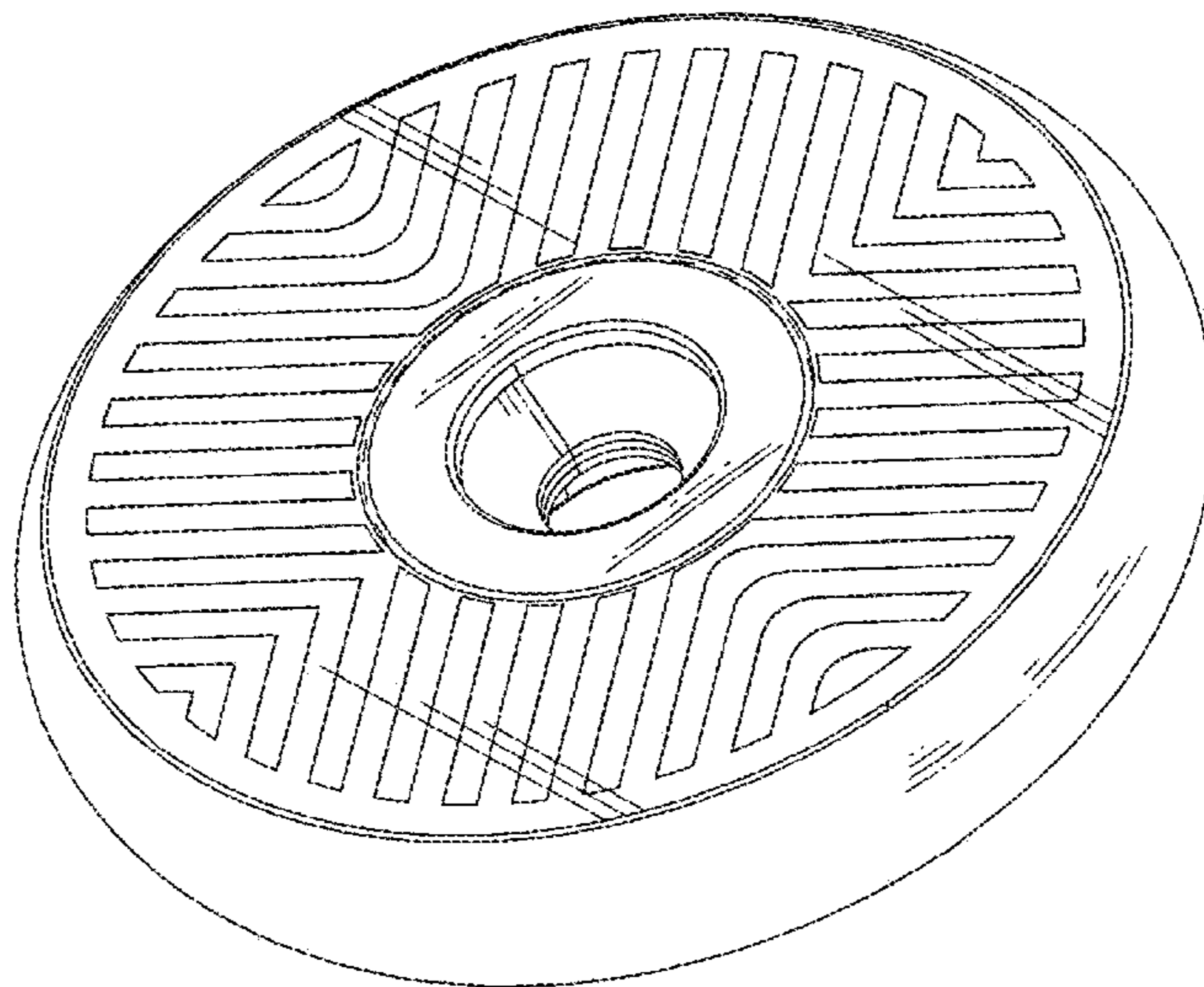
(57) **CLAIM**

The ornamental design for a gun magnet mounting device, as shown and described.

DESCRIPTION

FIG. 1 is a perspective view of a gun magnet mounting device showing my new design;
FIG. 2 is a front elevational view thereof;
FIG. 3 is a rear elevational view thereof;
FIG. 4 is a left side elevational view thereof;
FIG. 5 is a right side elevational view thereof;
FIG. 6 is a top plan view thereof; and,
FIG. 7 is a bottom plan view thereof.
The broken lines in FIG. 3 depict the boundaries of the claim and form no part thereof. The area within the broken lines in FIG. 3 forms no part of the claimed design.

1 Claim, 7 Drawing Sheets



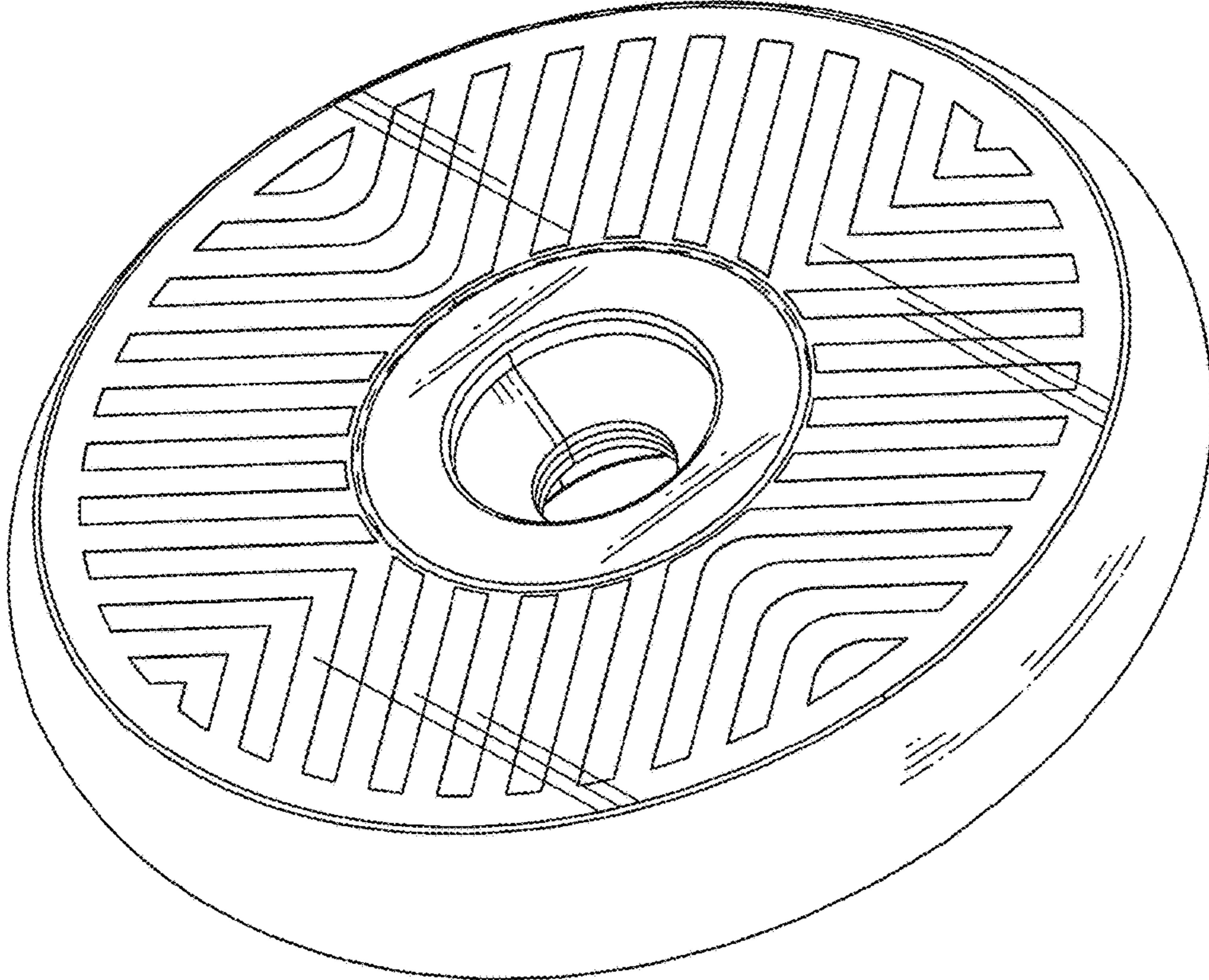


FIG.1

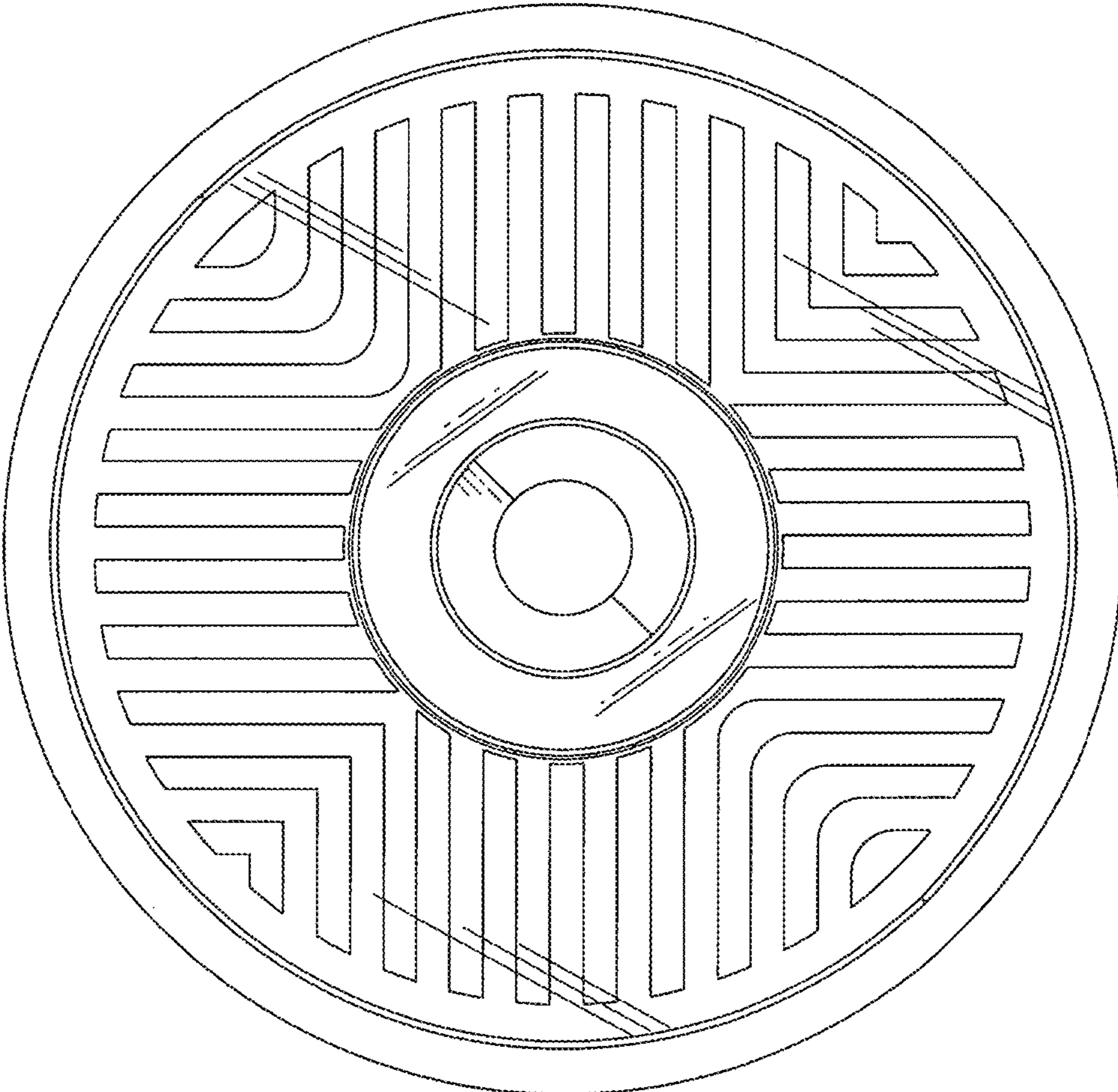


FIG.2

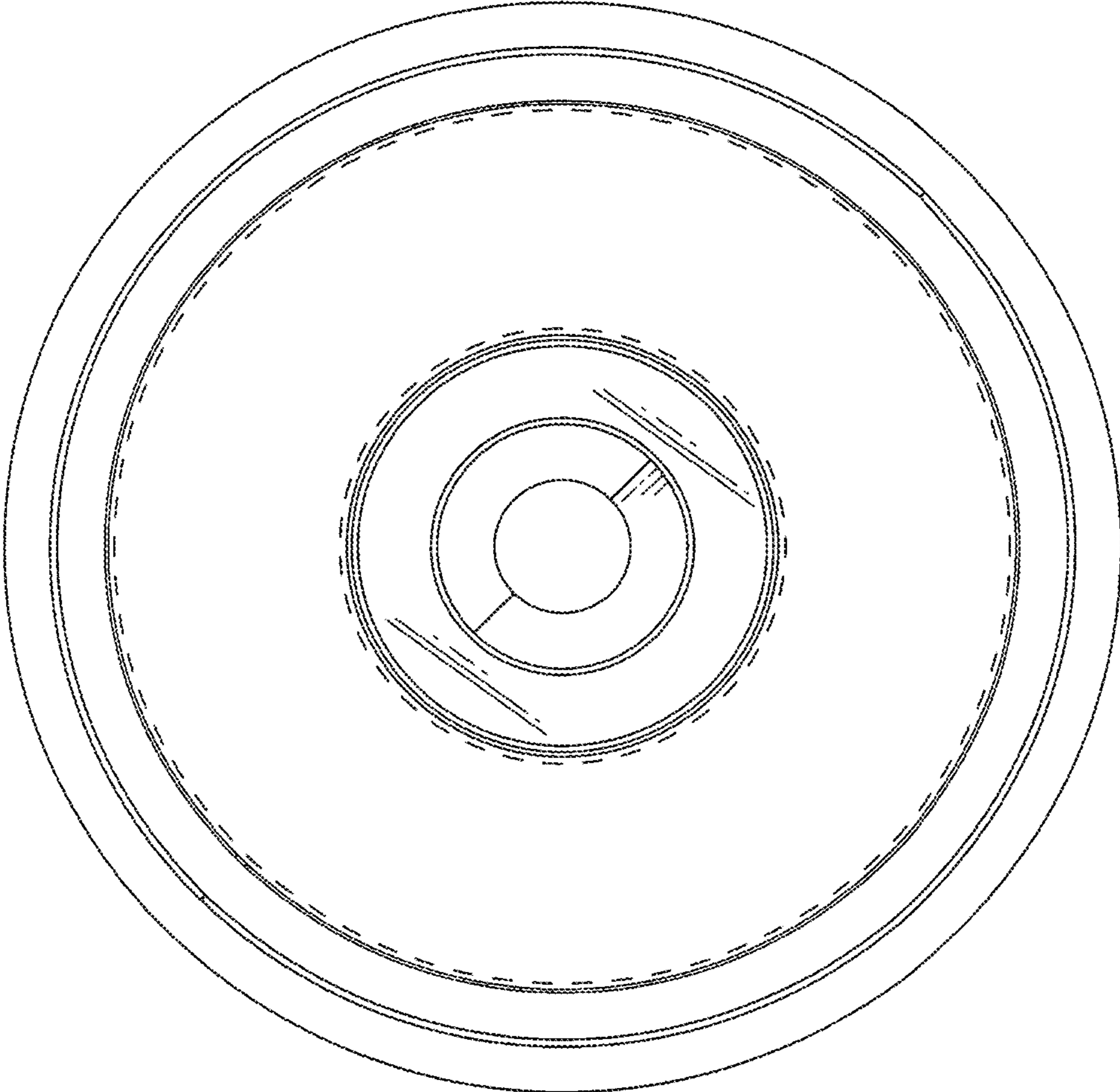


FIG.3

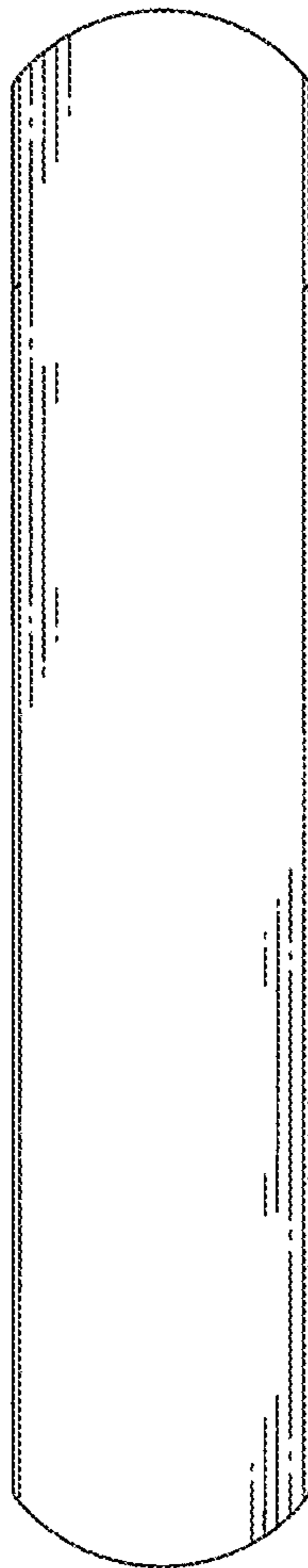


FIG.4

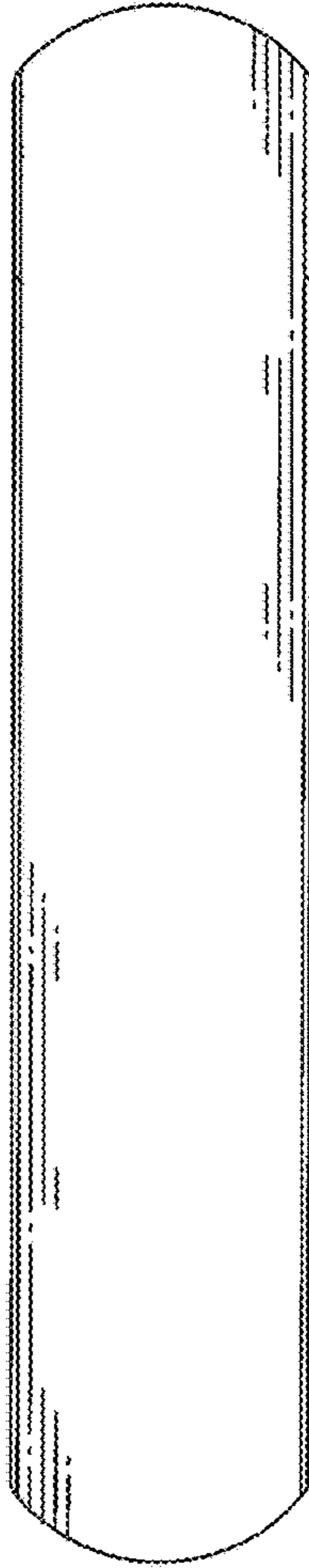


FIG.5

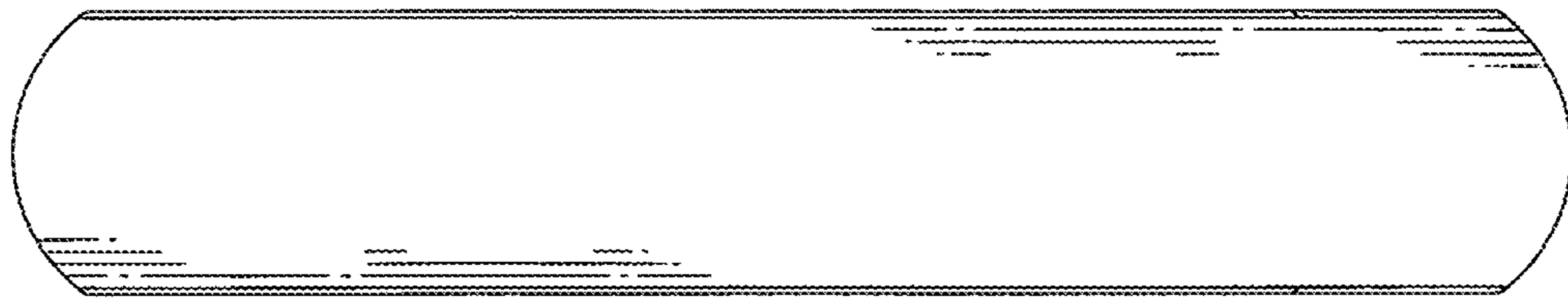


FIG.6

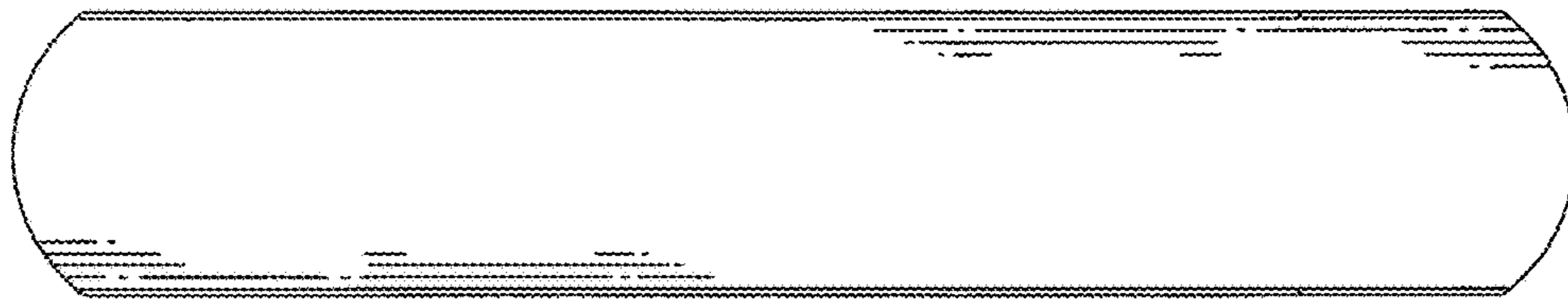


FIG. 7