



US00D864341S

(12) **United States Design Patent**
Dueck et al.

(10) **Patent No.:** **US D864,341 S**
(45) **Date of Patent:** **** Oct. 22, 2019**

- (54) **FIREARM ATTACHMENT**
- (71) Applicant: **SureFire, LLC**, Fountain Valley, CA (US)
- (72) Inventors: **Barry W. Dueck**, Fullerton, CA (US);
Karl R. Honigmann, Anaheim Hills, CA (US)
- (73) Assignee: **SureFire, LLC**, Fountain Valley, CA (US)
- (**) Term: **15 Years**
- (21) Appl. No.: **29/655,497**
- (22) Filed: **Jul. 3, 2018**
- (51) **LOC (12) Cl.** **22-01**
- (52) **U.S. Cl.**
USPC **D22/108**
- (58) **Field of Classification Search**
USPC D22/100–111, 115–116, 119–120, 199;
D21/300, 301, 573–575
CPC . F41G 1/02; F41G 1/027; F41G 1/033; F41G 1/06; F41G 3/26; F41C 23/10; F41C 23/16; F41J 1/00
See application file for complete search history.

(56) **References Cited**

U.S. PATENT DOCUMENTS

| | | | | | |
|-----------|------|--------|-------------|-------|-----------------------|
| 2,870,679 | A * | 1/1959 | Collins | | F41A 21/34 89/14.2 |
| D349,147 | S * | 7/1994 | Gwinn, Jr. | | D22/108 |
| 5,596,161 | A * | 1/1997 | Sommers | | F41A 21/34 89/14.2 |
| 6,837,139 | B2 * | 1/2005 | Meyers | | F41A 21/34 42/77 |
| D577,409 | S * | 9/2008 | Brittingham | | D22/108 |
| D577,410 | S * | 9/2008 | Brittingham | | D22/108 |
| D610,221 | S * | 2/2010 | Brittingham | | D22/108 |
| 7,905,170 | B1 * | 3/2011 | Brittingham | | F41A 21/34 89/14.2 |

| | | | | |
|-----------|------|--------|--------------|-----------------------------|
| 8,091,462 | B2 | 1/2012 | Dueck et al. | |
| D677,357 | S * | 3/2013 | Dueck | D22/108 |
| 8,418,803 | B2 * | 4/2013 | Findlay | F41A 21/30 181/223 |
| D682,384 | S * | 5/2013 | Jaureguizar | D22/108 |
| D687,119 | S * | 7/2013 | Dueck | D22/108 |
| 8,490,534 | B1 * | 7/2013 | Moore | F41A 21/34 181/223 |
| 8,505,680 | B2 | 8/2013 | Dueck | |

(Continued)

OTHER PUBLICATIONS

“SF SOCOM Suppressor Series—Episode 7—SF3P Flash Hiders” [online]. SureFire. [Published on Feb. 21, 2014]. Retrieved from the Internet: https://www.youtube.com/watch?time_continue=1&v=-Z740kQ48QM.*

(Continued)

Primary Examiner — Khawaja Anwar
Assistant Examiner — Mojtaba Tehrani

(74) *Attorney, Agent, or Firm* — Haynes and Boone, LLP

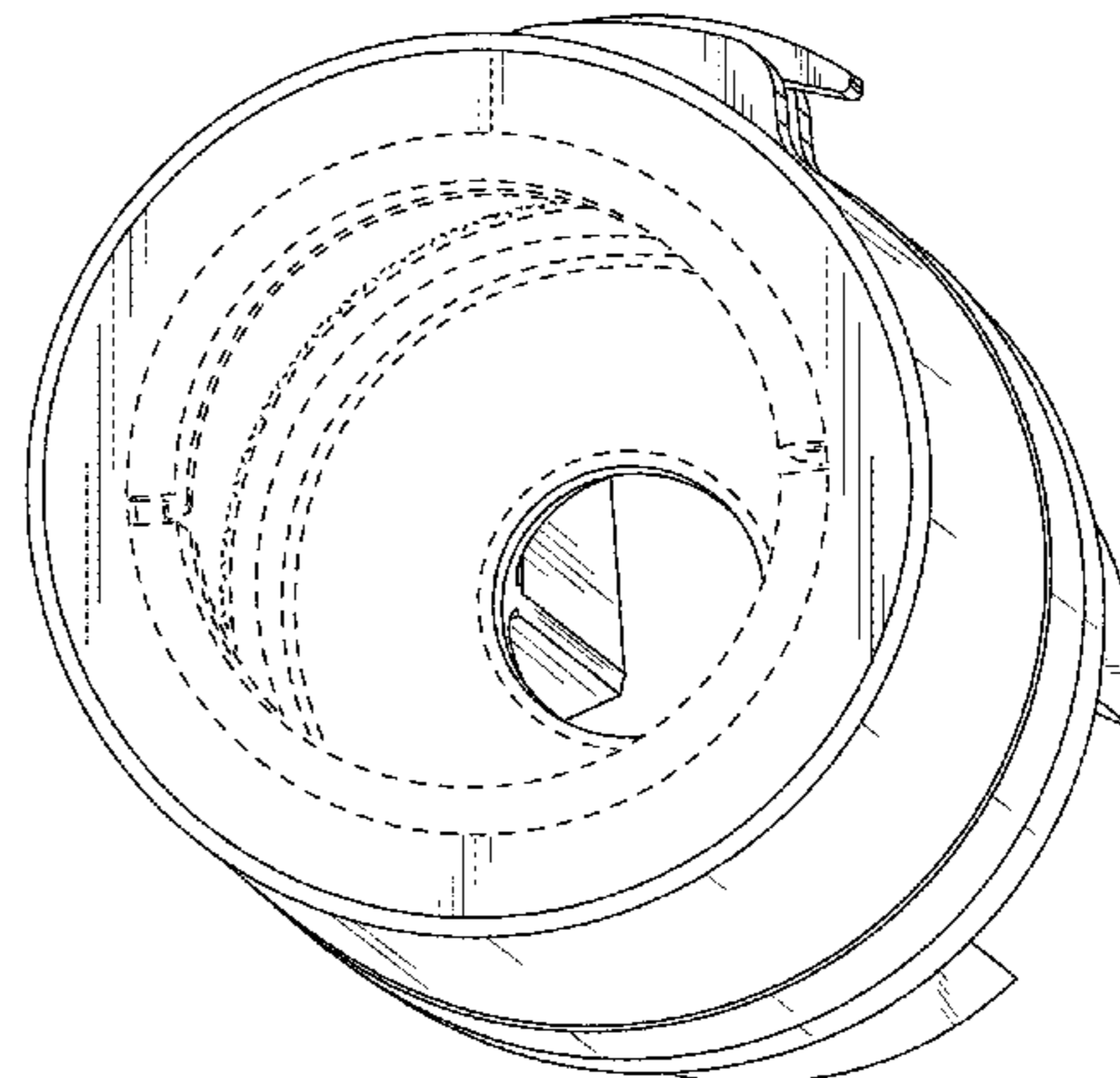
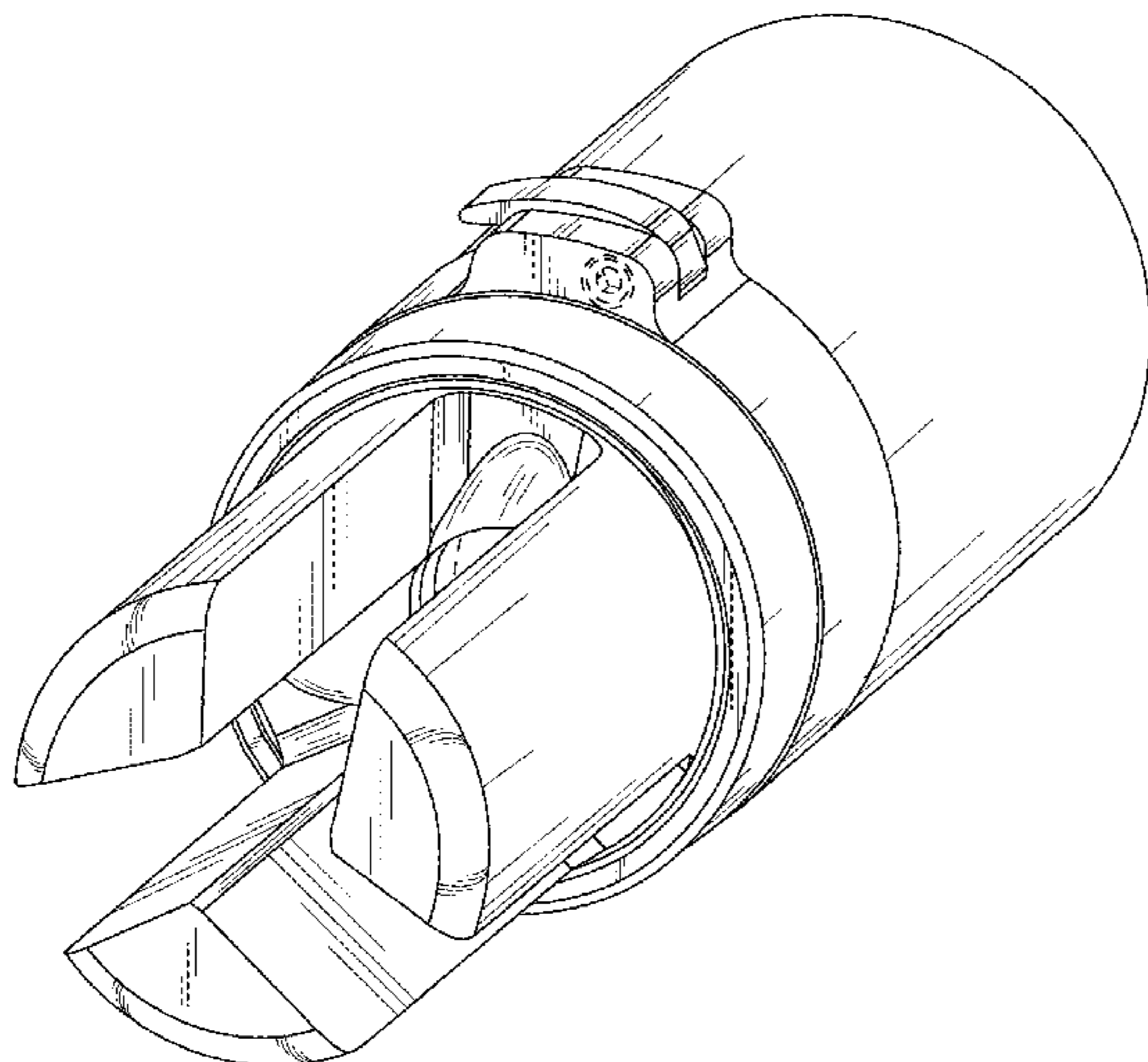
(57) **CLAIM**

The ornamental design for a firearm attachment, as shown and described.

DESCRIPTION

FIG. 1 is a front top left perspective view of a firearm attachment showing our new design; FIG. 2 is a rear bottom right perspective view thereof; FIG. 3 is a top plan view thereof; FIG. 4 is a bottom plan view thereof; FIG. 5 is a left side elevational view thereof; FIG. 6 is a right side elevational view thereof; FIG. 7 is a front side elevational view thereof; and, FIG. 8 is a rear side elevational view thereof. The broken lines in the drawings depict unclaimed portion of the firearm attachment only and form no part of the claimed design.

1 Claim, 8 Drawing Sheets



(56)

References Cited

U.S. PATENT DOCUMENTS

| | | | | | | |
|--------------|----|---|---------|----------|-------|------------|
| D693,896 | S | * | 11/2013 | Dueck | | D22/108 |
| D694,355 | S | * | 11/2013 | Hormann | | D22/108 |
| D716,408 | S | * | 10/2014 | Oglesby | | D22/108 |
| D716,904 | S | * | 11/2014 | Oglesby | | D22/108 |
| D737,922 | S | * | 9/2015 | Pace | | D22/108 |
| D738,982 | S | * | 9/2015 | Silvers | | D22/108 |
| D754,275 | S | * | 4/2016 | Geissele | | D22/108 |
| D759,188 | S | * | 6/2016 | Geissele | | D22/108 |
| D763,395 | S | * | 8/2016 | Joplin | | D22/108 |
| 9,417,022 | B2 | * | 8/2016 | Sherrill | | F41A 21/36 |
| 9,464,857 | B2 | * | 10/2016 | Lessard | | F41A 21/34 |
| D783,758 | S | * | 4/2017 | Clark | | D22/108 |
| 10,309,744 | B2 | * | 6/2019 | McNitt | | F41C 27/16 |
| 2010/0313743 | A1 | * | 12/2010 | Dueck | | F41A 21/26 |
| | | | | | | 89/14.05 |

OTHER PUBLICATIONS

“AAC Brakeout 2.0 90T SR-7 5/8 × 24 7.62” [online]. e-arms.com. [Retrieved on Jun. 4, 2019]. Retrieved from the Internet: <https://e-arms.com/aac-brakeout-2-0-90t-sr-7-5-8-x-24-7-62/>.*

“Brugger & Thomet HK UMP Muzzle Brake/ Flash Hider” [online]. wolverinesupplies.com. [Retrieved on Jun. 4, 2019]. Retrieved from the Internet: https://www.wolverinesupplies.com/ProductDetail/BTHBT21672_Brugger---Thomet-HK-UMP-Muzzle-Brake---Flash-Hider.*

* cited by examiner

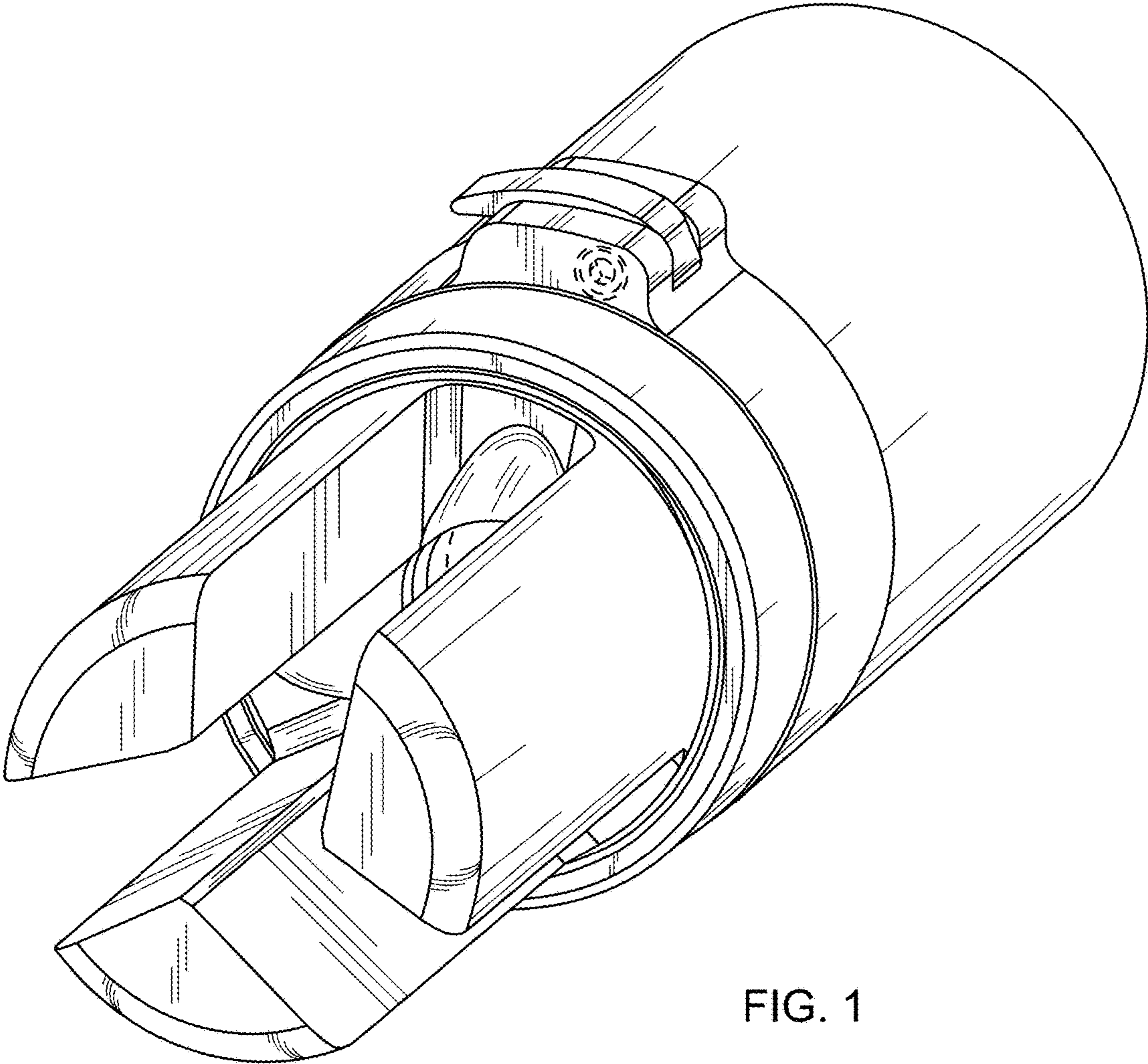


FIG. 1

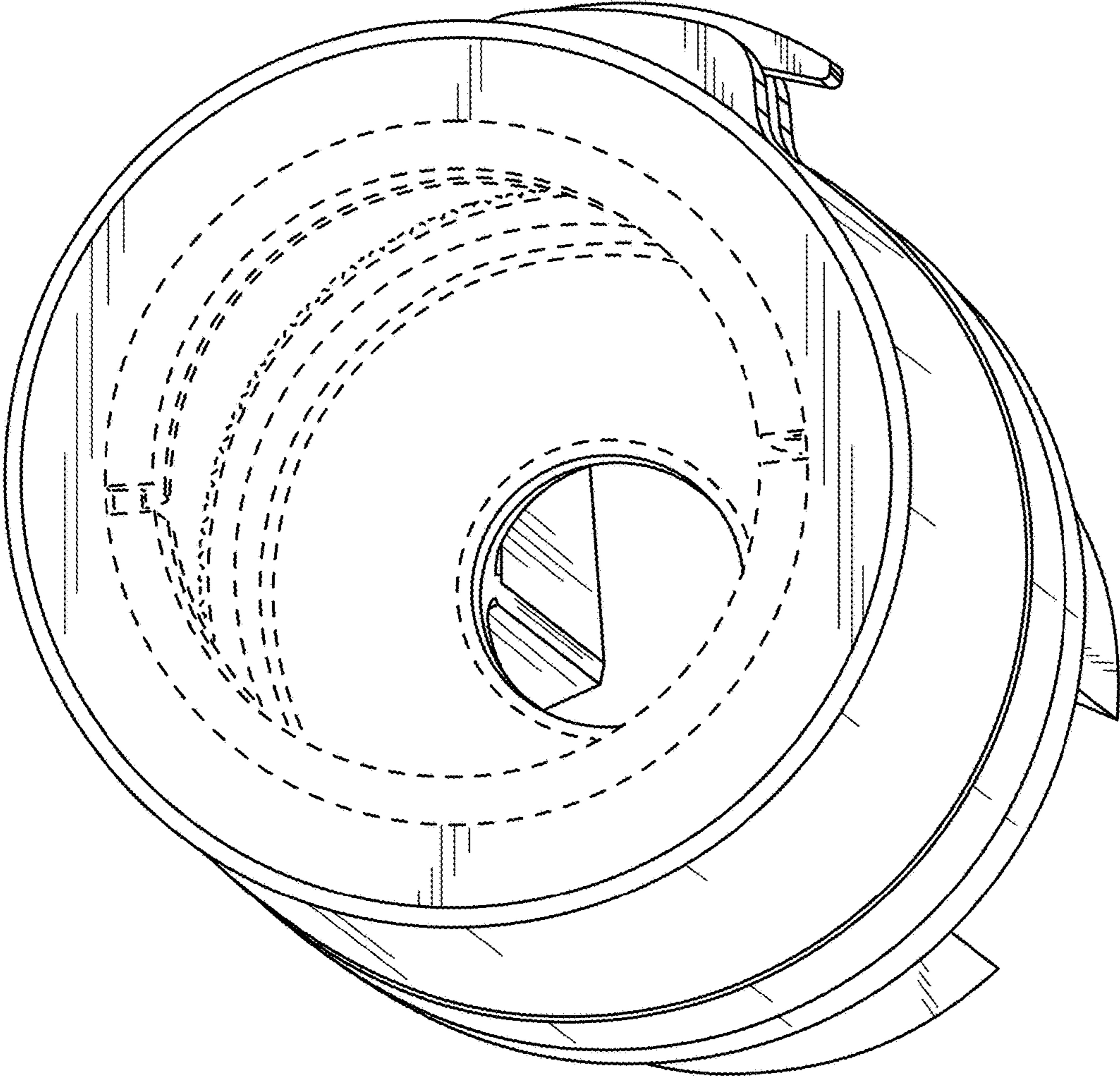


FIG. 2

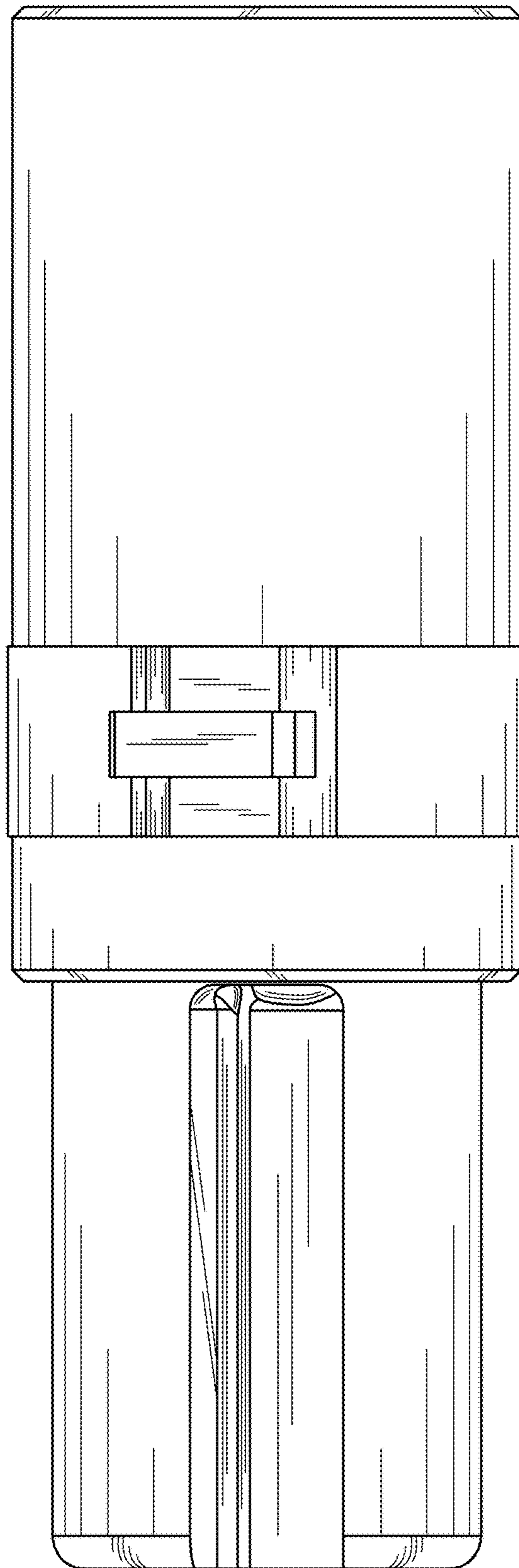


FIG. 3

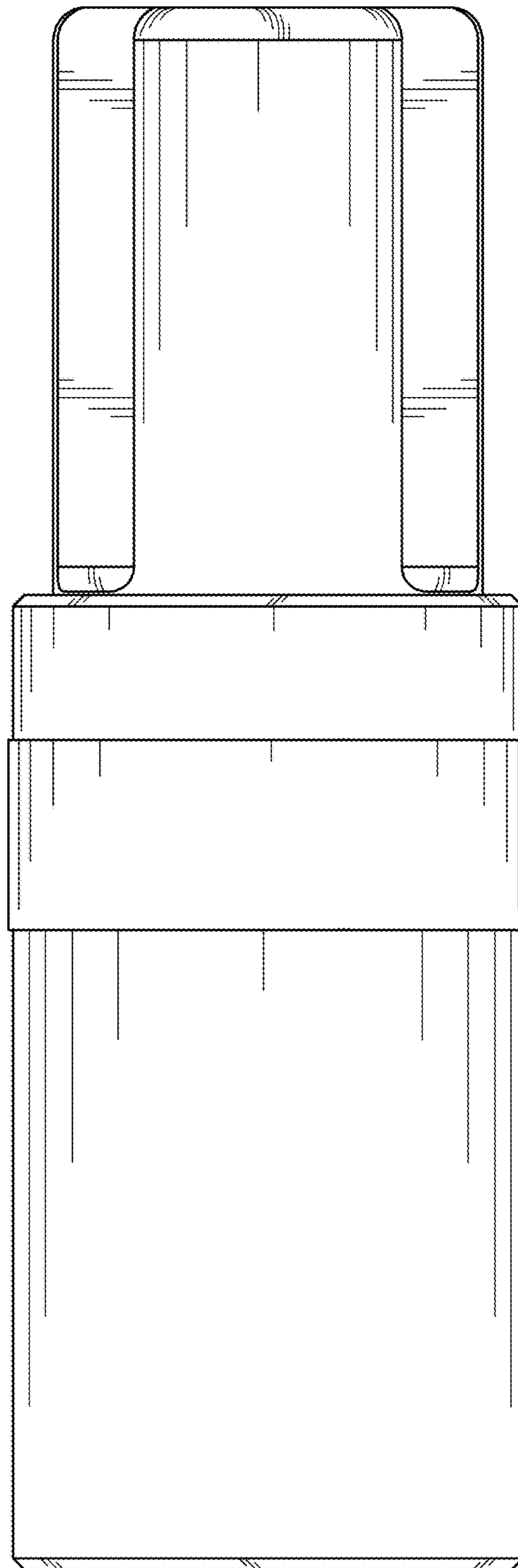


FIG. 4

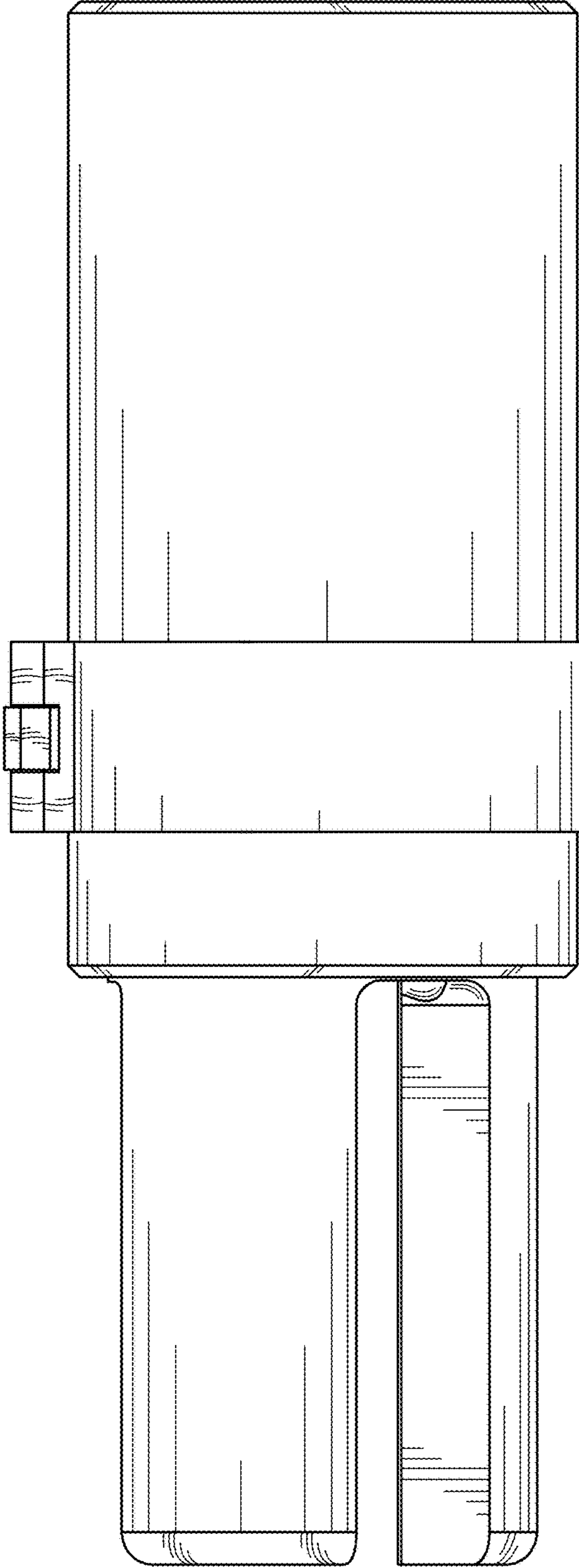


FIG. 5

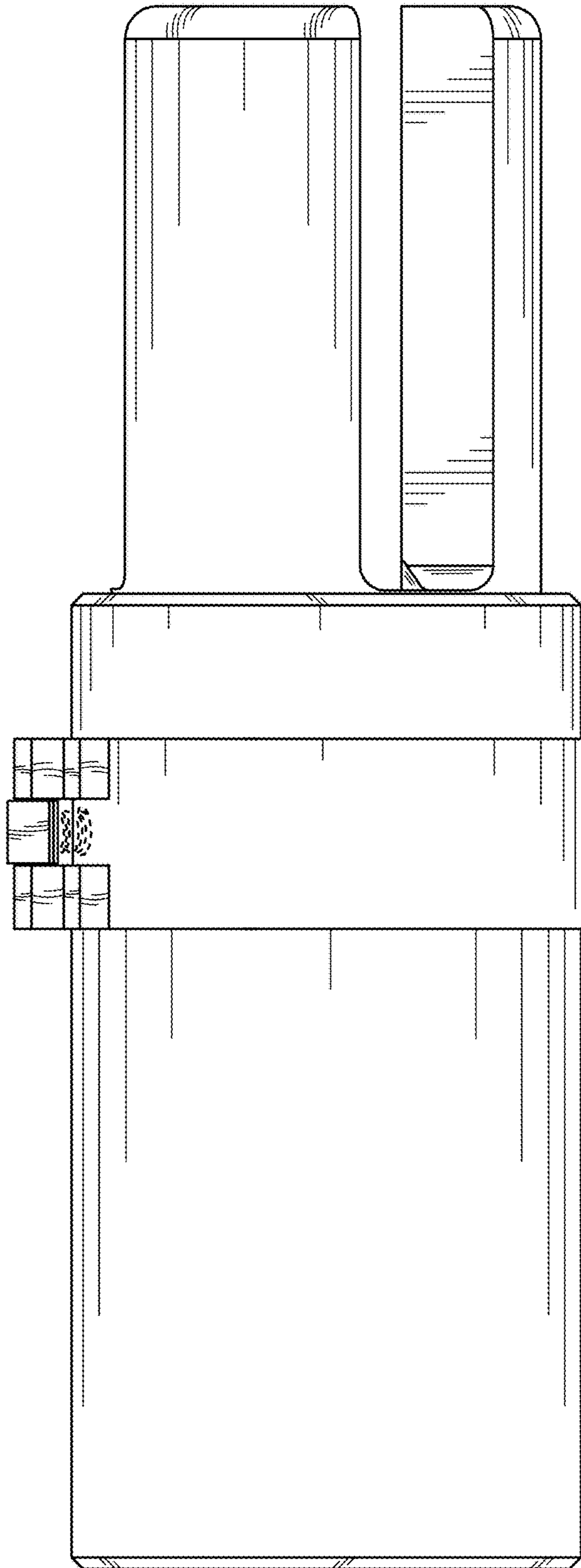


FIG. 6

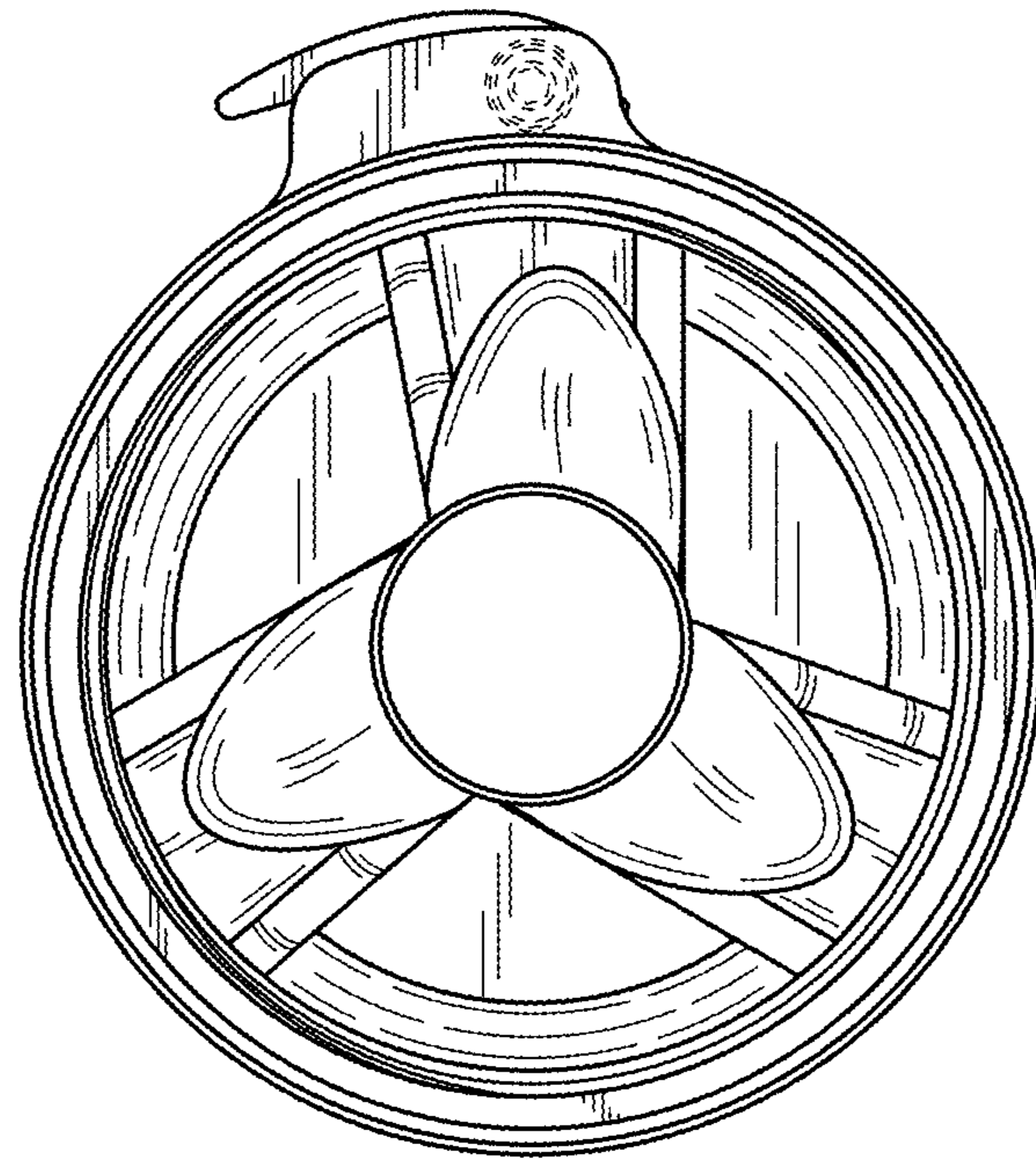


FIG. 7

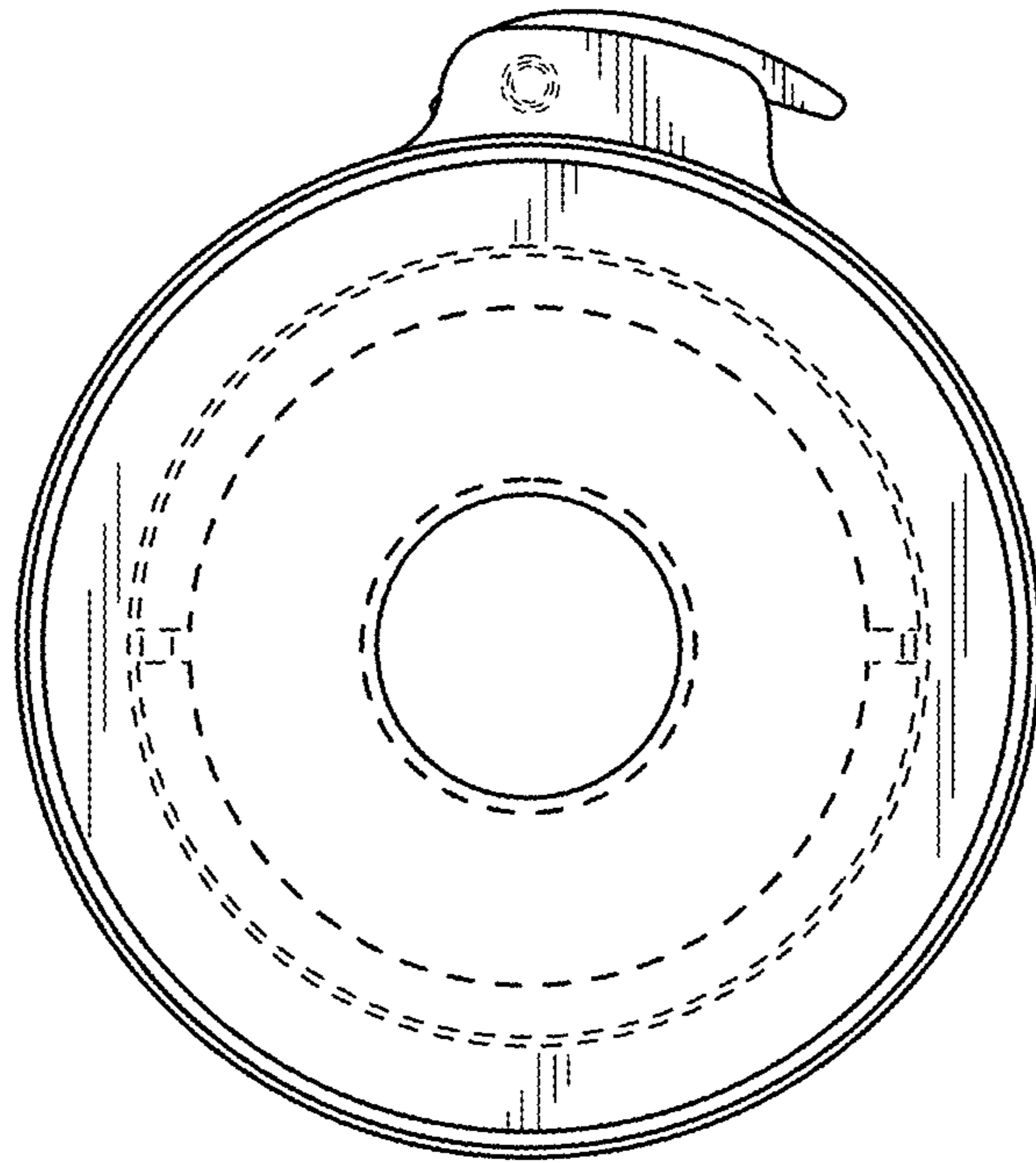


FIG. 8