



US00D864339S

(12) **United States Design Patent**
Geissele

(10) **Patent No.:** **US D864,339 S**

(45) **Date of Patent:** **** Oct. 22, 2019**

- (54) **FIREARM CHARGING HANDLE**
- (71) Applicant: **WHG Properties, LLC**, North Wales, PA (US)
- (72) Inventor: **William H. Geissele**, Lower Gwynedd, PA (US)
- (73) Assignee: **WHG Properties, LLC**, North Wales, PA (US)
- (**) Term: **15 Years**
- (21) Appl. No.: **29/624,995**
- (22) Filed: **Nov. 6, 2017**

- 7,900,546 B2 3/2011 Bordson
- 8,104,393 B2 * 1/2012 Kincel F41A 3/72
42/16
- 8,261,649 B2 9/2012 Fitzpatrick
(Continued)

Related U.S. Application Data

- (62) Division of application No. 29/563,382, filed on May 4, 2016, now Pat. No. Des. 805,598.
- (51) **LOC (12) Cl.** **22-01**
- (52) **U.S. Cl.**
USPC **D22/108**
- (58) **Field of Classification Search**
USPC D22/108
CPC F41A 3/72
See application file for complete search history.

References Cited

U.S. PATENT DOCUMENTS

- 5,726,377 A * 3/1998 Harris F41A 19/14
42/65
- 6,968,642 B1 * 11/2005 Leung F41C 23/16
30/162
- 7,240,600 B1 7/2007 Bordson
- D614,718 S * 4/2010 Hoel D22/108
- 7,707,921 B1 * 5/2010 Hoel F41A 35/06
42/16
- 7,832,322 B1 * 11/2010 Hoel F41A 35/06
42/16
- 7,861,635 B1 * 1/2011 Hoel F41A 35/06
42/16

OTHER PUBLICATIONS

httpwww.ar15news.com20150516sneak-peek-rainier-arms-avalanche-ambi-charging-handle (Year: 2015).*
(Continued)

Primary Examiner — Michael A. Pratt
(74) *Attorney, Agent, or Firm* — Fox Rothschild LLP

(57) **CLAIM**

The ornamental design for a firearm charging handle, as shown and described.

DESCRIPTION

FIG. 1 is a bottom, front, right side perspective view of a firearm charging handle in accordance with the present disclosure.

FIG. 2 is a bottom, front, right side perspective view of a rear portion of the firearm charging handle of FIG. 1.

FIG. 3 is a top view of a rear portion of the firearm charging handle of FIG. 1.

FIG. 4 is a bottom view of a rear portion of the firearm charging handle of FIG. 1.

FIG. 5 is a right side view of a rear portion of the firearm charging handle of FIG. 1.

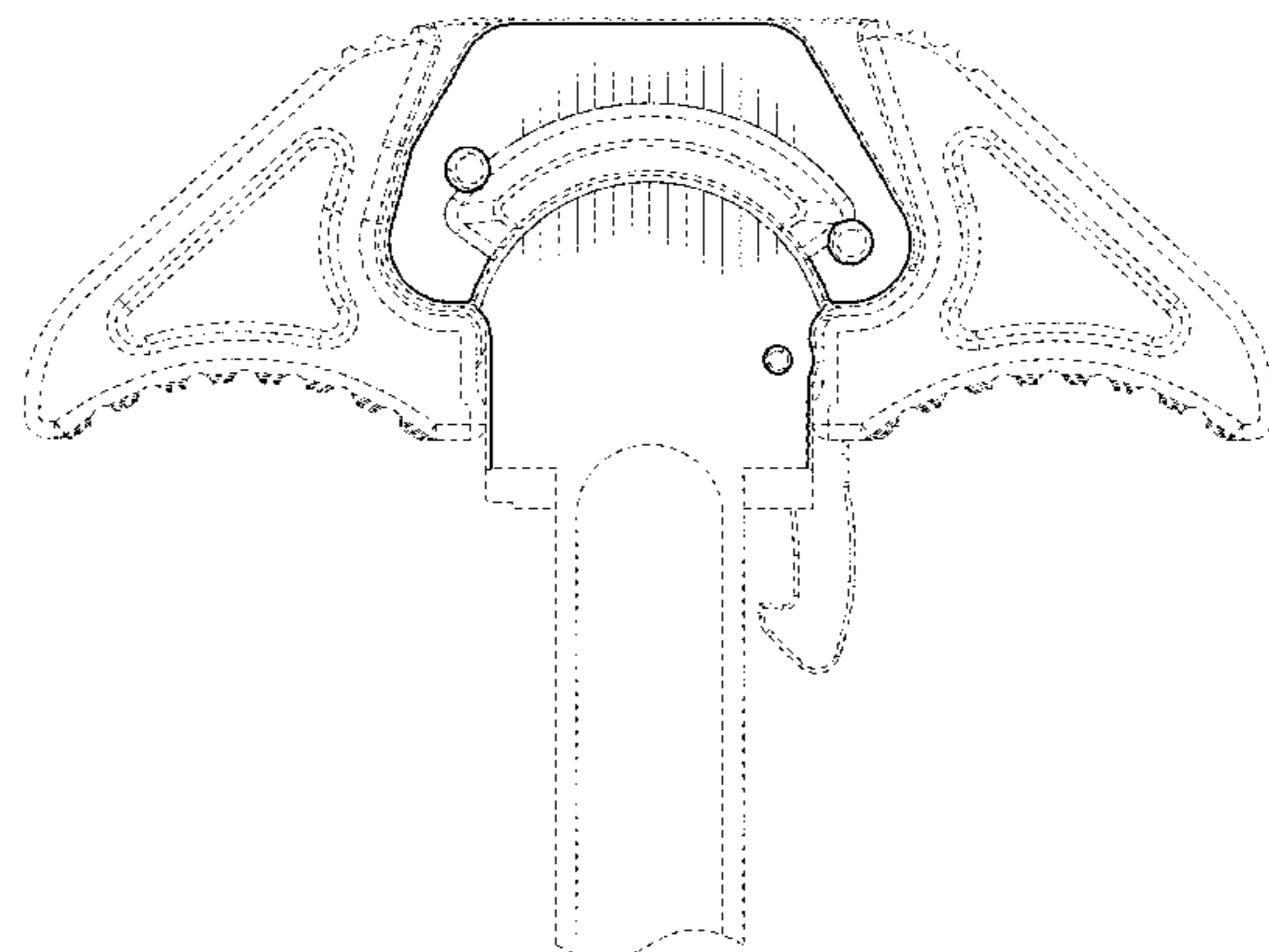
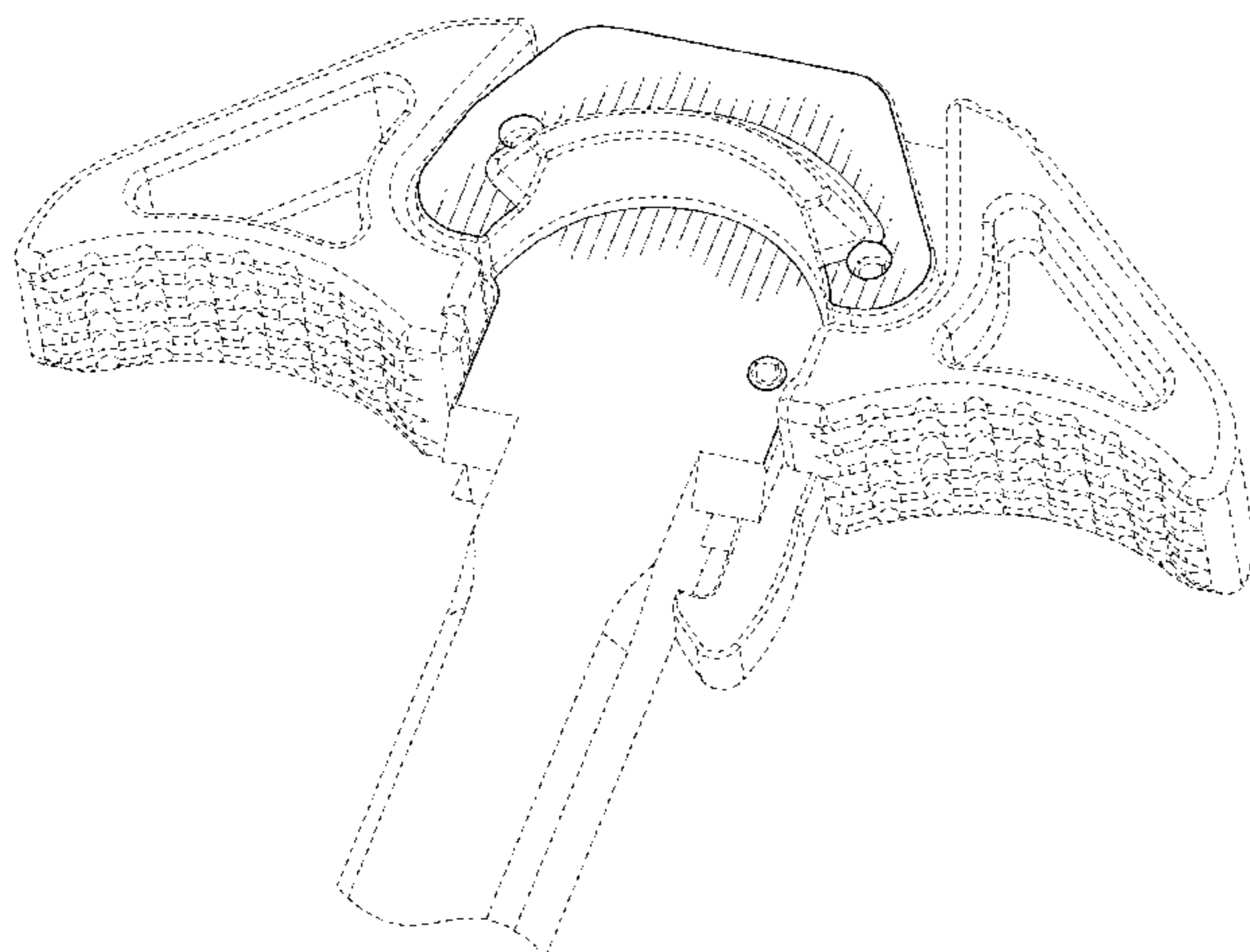
FIG. 6 is a left side view of a rear portion of the firearm charging handle of FIG. 1.

FIG. 7 is a rear view of a rear portion of the firearm charging handle of FIG. 1; and,

FIG. 8 is a front view of a rear portion of the firearm charging handle of FIG. 1.

The broken lines in the Figures are for illustrative purposes only and form no part of the claimed design.

1 Claim, 4 Drawing Sheets



(56)

References Cited

U.S. PATENT DOCUMENTS

8,336,436 B2 12/2012 Kincel
 8,356,537 B2 * 1/2013 Kincel F41A 3/72
 42/16
 D694,354 S 11/2013 Underwood
 D705,383 S * 5/2014 Montes D22/108
 D705,384 S * 5/2014 Underwood D22/108
 8,820,210 B2 * 9/2014 Melville F41A 7/00
 42/69.01
 8,863,632 B1 * 10/2014 O'Malley F41A 3/72
 42/16
 8,960,066 B2 2/2015 Gomez
 D738,452 S * 9/2015 Underwood D22/108
 9,175,924 B1 * 11/2015 Williford F41G 11/001
 D749,687 S * 2/2016 Warensford D22/108
 D772,369 S * 11/2016 Geissele D22/108
 D781,988 S * 3/2017 Geissele D22/108
 2009/0126249 A1 * 5/2009 Crommett F41A 11/02
 42/71.01
 2011/0005372 A1 1/2011 Kincel
 2013/0174457 A1 * 7/2013 Gangl F41A 3/18
 42/16
 2014/0060293 A1 * 3/2014 Gomez F41A 3/72
 89/1.4
 2014/0150639 A1 * 6/2014 Sugg F41A 3/68
 89/193
 2016/0327372 A1 * 11/2016 Schrock F41G 11/003

OTHER PUBLICATIONS

Highjack86, Rainier Arms Avalanche Ambi Charging Handle (Year: 2015).*

* cited by examiner

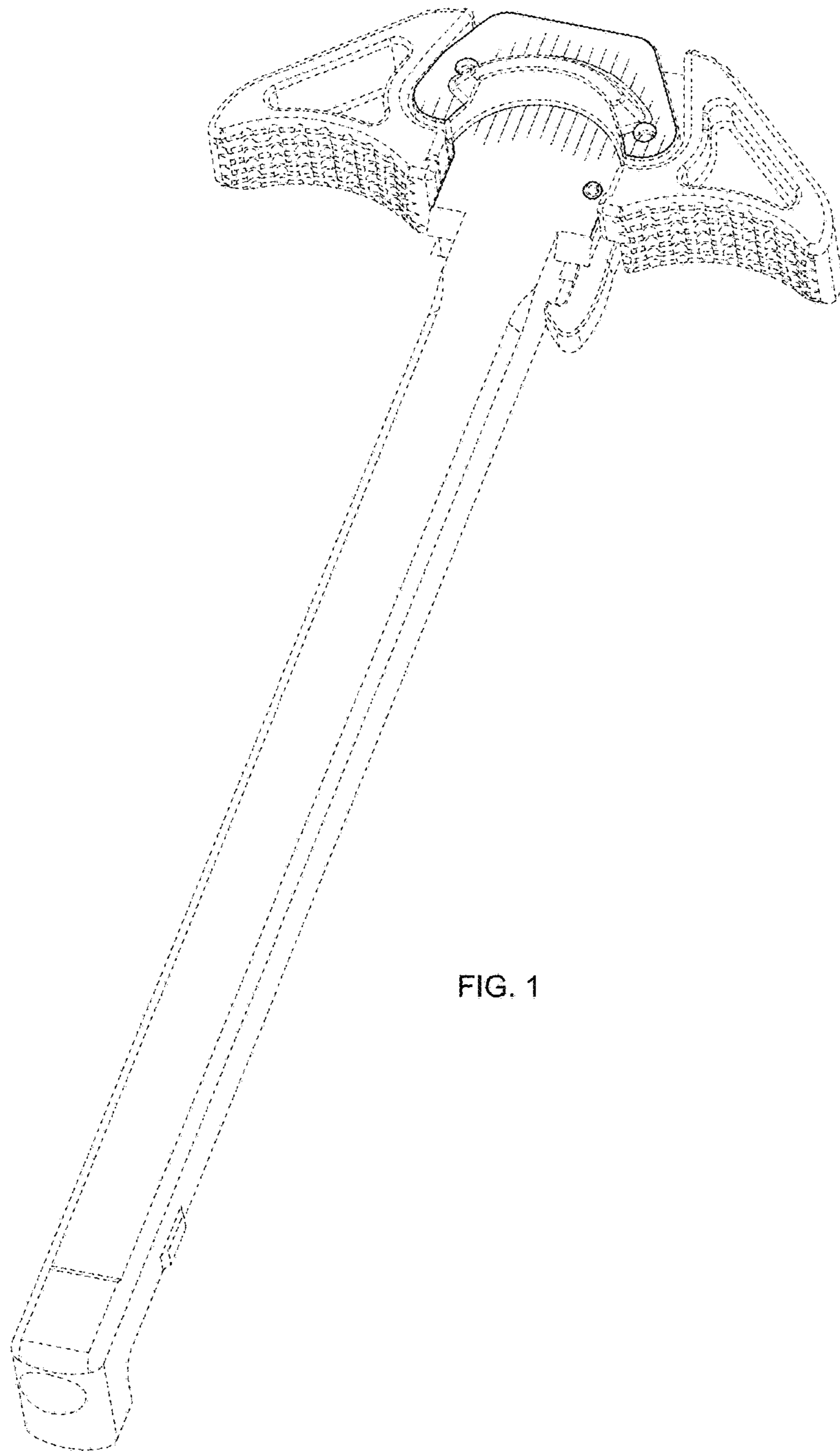


FIG. 1

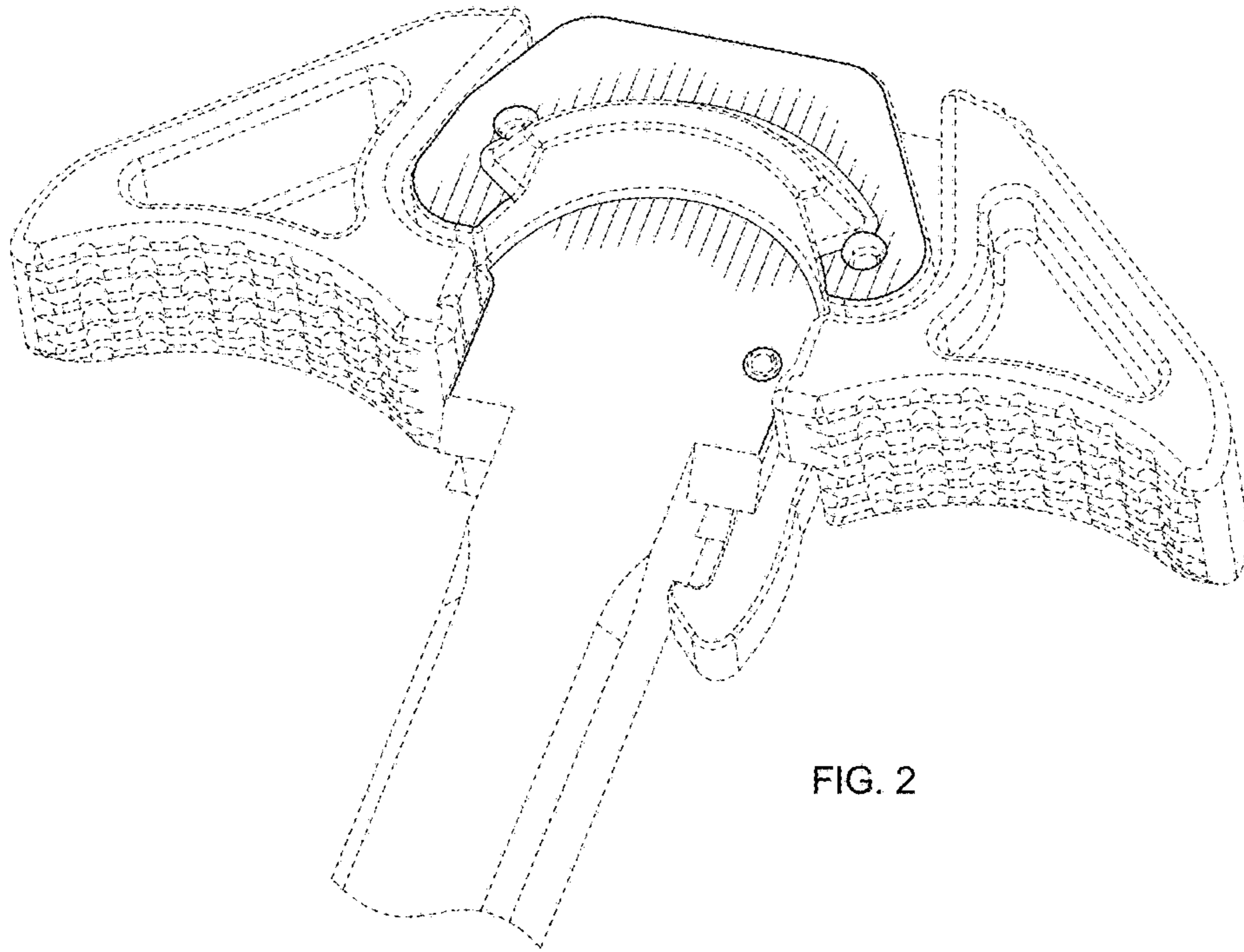


FIG. 2

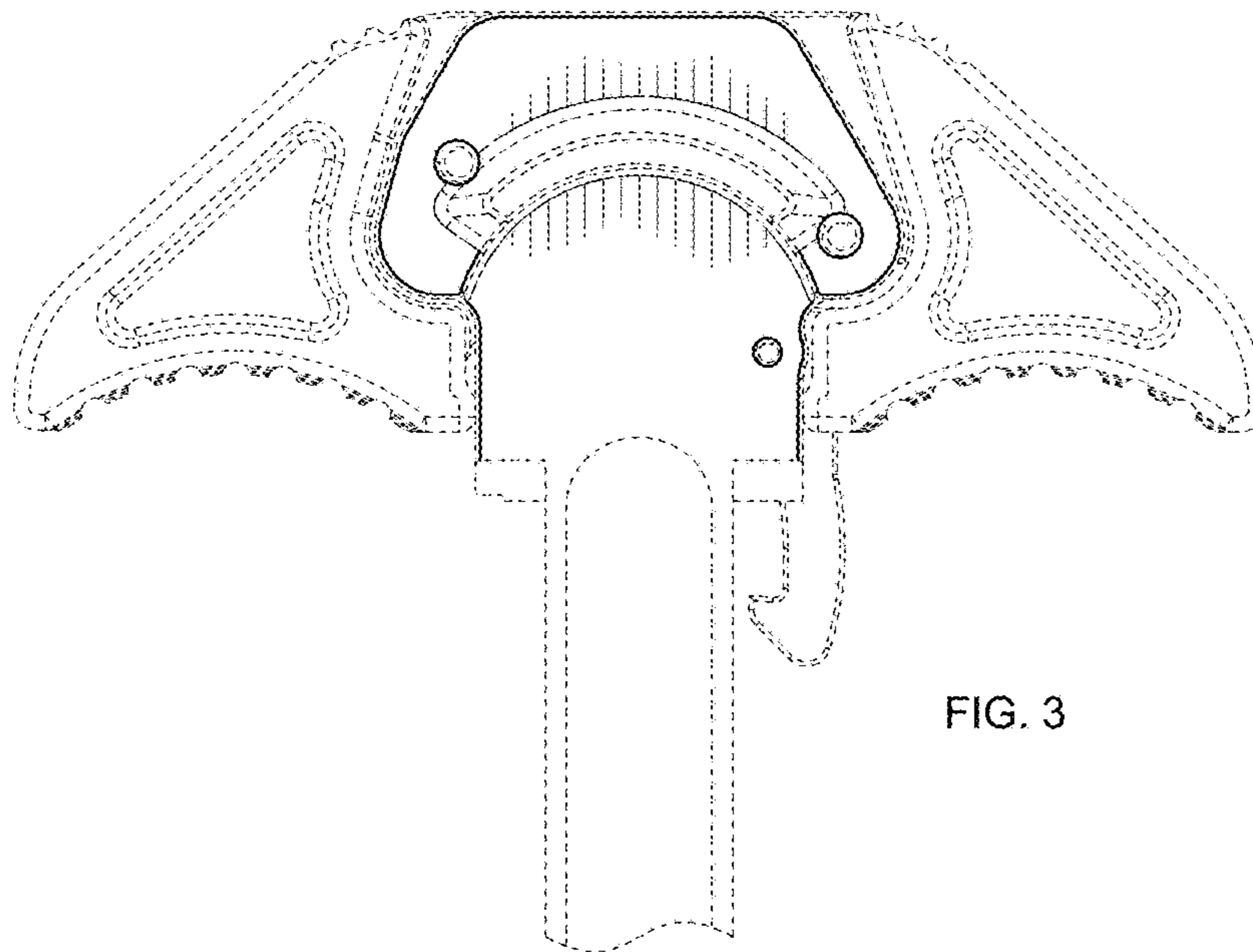


FIG. 3

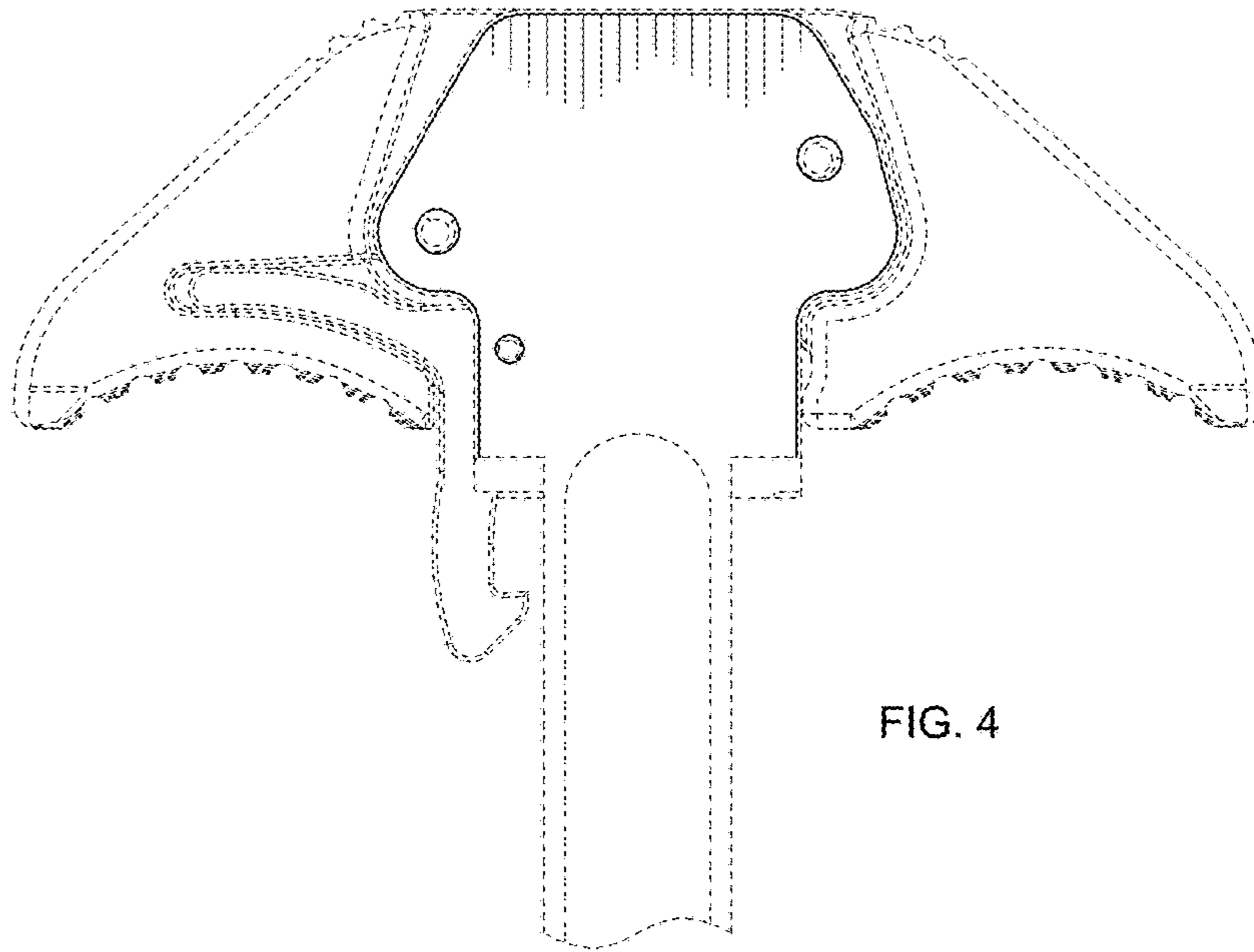


FIG. 4

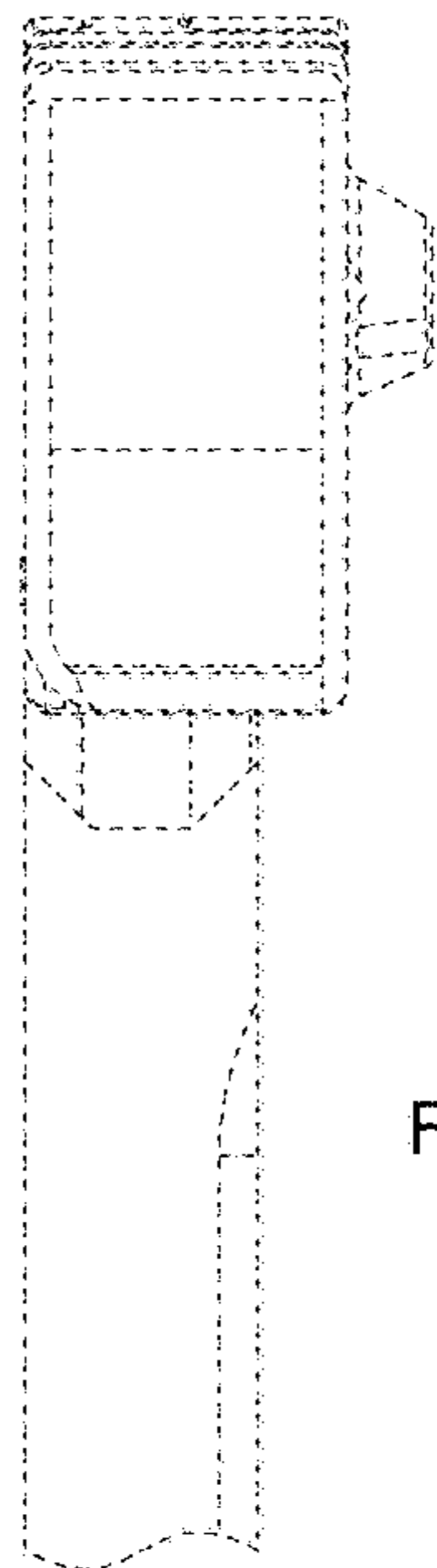


FIG. 5

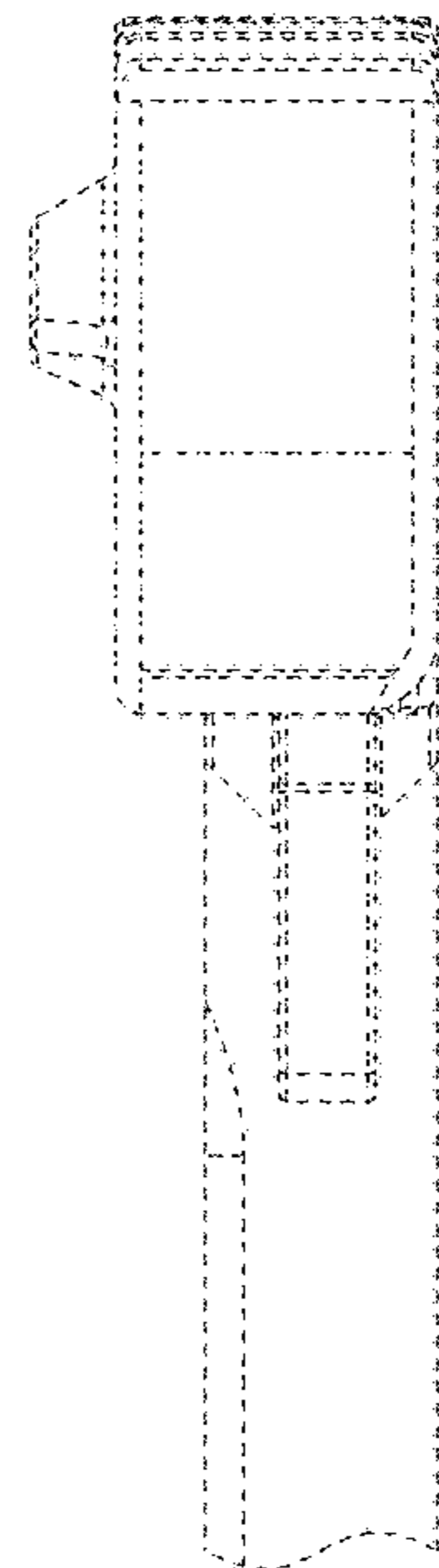


FIG. 6

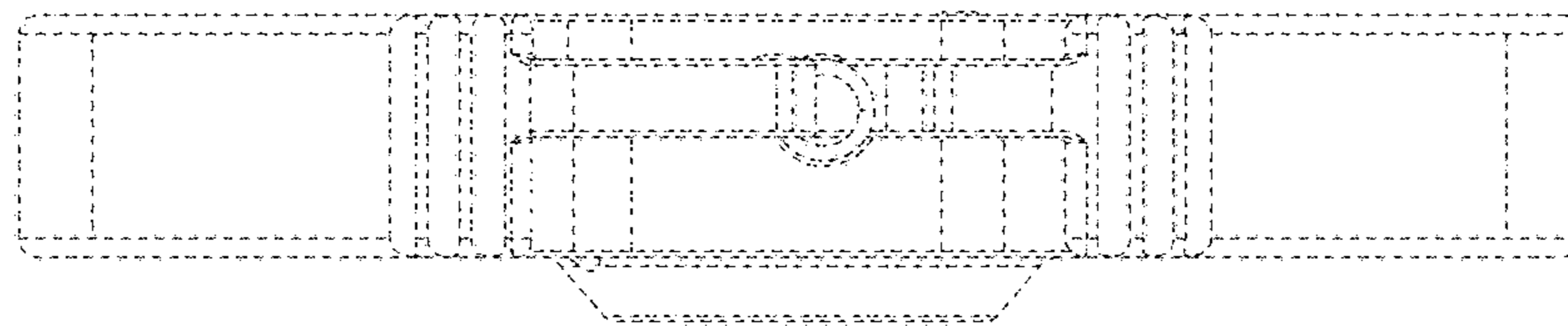


FIG. 7

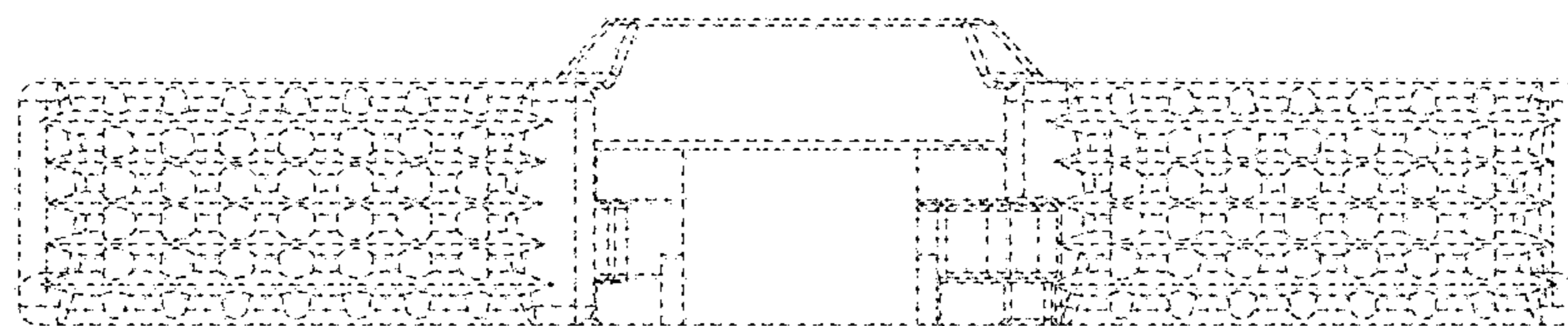


FIG. 8