



US00D864336S

(12) **United States Design Patent** (10) **Patent No.:** **US D864,336 S**
Šimek et al. (45) **Date of Patent:** **** Oct. 22, 2019**

| | |
|---|--|
| (54) ASSAULT RIFLE | 8,210,090 B2 * 7/2012 Brown F41A 29/00 89/193 |
| (71) Applicant: Česká Zbrojovka a.s. , Uherský Brod (CZ) | D667,072 S * 9/2012 Kriegleder D22/103 8,453,365 B1 * 6/2013 Ballard F41C 23/14 42/71.01 |
| (72) Inventors: Vladimír Šimek , Uherský Brod (CZ); Martin Šanda , Uherský Brod (CZ) | D709,581 S * 7/2014 Langevin D22/108 D733,223 S * 6/2015 Chu D21/573 9,664,476 B1 * 5/2017 Robinson F41C 23/04 9,664,478 B2 * 5/2017 Robinson F41C 23/04 9,664,479 B1 * 5/2017 Robinson F41C 23/14 |
| (73) Assignee: Ceska Zbrojovka A.S. , Uhersky Brod (CZ) | D795,981 S * 8/2017 Martelli D22/103 D803,955 S * 11/2017 Martelli D21/573 |

(Continued)

(**) Term: **15 Years**

(21) Appl. No.: **29/644,348**

(22) Filed: **Apr. 17, 2018**

(30) **Foreign Application Priority Data**

Oct. 18, 2017 (EM) 004409852

(51) **LOC (12) Cl.** **22-01**

(52) **U.S. Cl.**
USPC **D22/103; D21/573**

(58) **Field of Classification Search**
USPC D22/100, 101, 102, 103, 104, 105, 106,
D22/107, 108, 109, 110, 111, 199;
D21/571, 573, 574, 575, 746
CPC F41C 23/14; F41C 23/20; F41C 23/04;
F41C 23/00; F41C 23/10; F41C 27/00;
F41C 7/00; F41C 23/06; F41C 3/00;
F41B 5/10; F41B 5/14; F41B 5/0094;
F41B 5/1469; F41B 5/00

See application file for complete search history.

(56) **References Cited**

U.S. PATENT DOCUMENTS

| | | | | |
|----------------|---------|-------------|-------|---------------------|
| D606,614 S * | 12/2009 | Fitzpatrick | | D22/103 |
| 7,797,873 B2 * | 9/2010 | Gering | | F41G 1/34 42/105 |
| D641,824 S * | 7/2011 | Gridelet | | D22/103 |
| D641,825 S * | 7/2011 | Gridelet | | D22/103 |

OTHER PUBLICATIONS

“CZ introduces the BREN 2 BR battle rifle” [online]. Pierangelo Tendas. [Published on Sep. 19, 2018]. Retrieved from the Internet: <<https://www.gunsweek.com/en/rifles/news/cz-introduces-bren-2-br-battle-rifle>>.*

(Continued)

Primary Examiner — Khawaja Anwar
Assistant Examiner — Mojtaba Tehrani
(74) *Attorney, Agent, or Firm* — Hovey Williams LLP

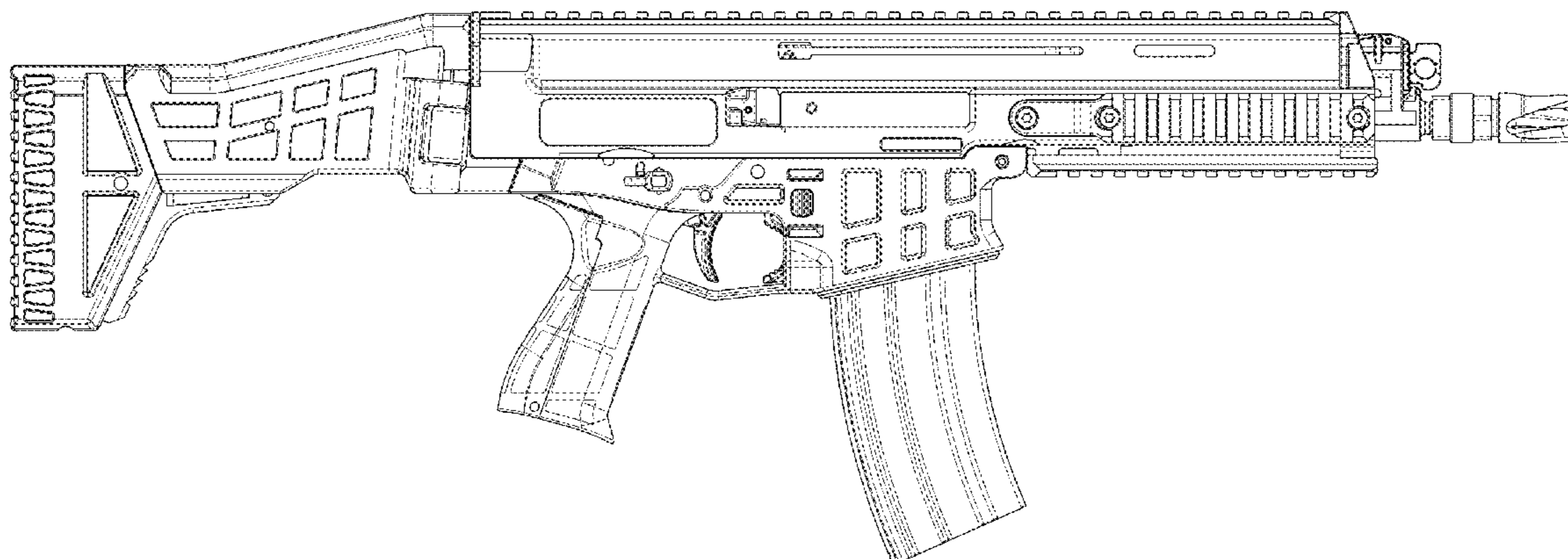
(57) **CLAIM**

The ornamental design for an assault rifle, as shown and described.

DESCRIPTION

FIG. 1 is a left side perspective view of an assault rifle, showing our new design;
FIG. 2 is a right side perspective view thereof;
FIG. 3 is a left side elevation view thereof;
FIG. 4 is a front elevation view thereof;
FIG. 5 is a right side elevation view thereof; and,
FIG. 6 is a top plan view thereof.
The broken lines within the drawings disclose unclaimed portions of the assault rifle and form no part of the claimed design.

1 Claim, 6 Drawing Sheets



(56)

References Cited

U.S. PATENT DOCUMENTS

| | | | | | |
|--------------|------|---------|----------|-------|-------------|
| D808,486 | S * | 1/2018 | Kafka | | D22/103 |
| D819,765 | S * | 6/2018 | Kafka | | D22/103 |
| 10,054,379 | B2 * | 8/2018 | Lammers | | F41A 5/26 |
| 10,088,268 | B2 * | 10/2018 | Hewes | | F41C 23/14 |
| 2008/0168695 | A1 * | 7/2008 | Nakayama | | F41A 21/481 |
| | | | | | 42/75.02 |
| 2010/0186582 | A1 * | 7/2010 | Juarez | | F41A 5/28 |
| | | | | | 89/191.01 |
| 2013/0061737 | A1 * | 3/2013 | Brown | | F41A 3/72 |
| | | | | | 89/1.4 |
| 2015/0176945 | A1 * | 6/2015 | Simek | | F41A 3/64 |
| | | | | | 42/75.03 |
| 2016/0084612 | A1 * | 3/2016 | Robinson | | F41C 23/04 |
| | | | | | 42/73 |

OTHER PUBLICATIONS

“Bushmaster Releases Factory SBR ACR” [online]. Pete. [Published on Mar. 7, 2017]. Retrieved from the Internet: <<https://www.thefirearmblog.com/blog/2017/03/07/bushmaster-sbr-acr/>>.*

“Rifle Review: FN Herstal Scar 16S FDE—A Rifle for the Civilian Operator”. [online]. Hugh Nguyen. [Published on Feb. 12, 2015]. Retrieved from the Internet: <<https://www.omahaoutdoors.com/blog/fn-herstal-scar-16s-fde-rifle-civilian-operator-rifle-review/>>.*

* cited by examiner

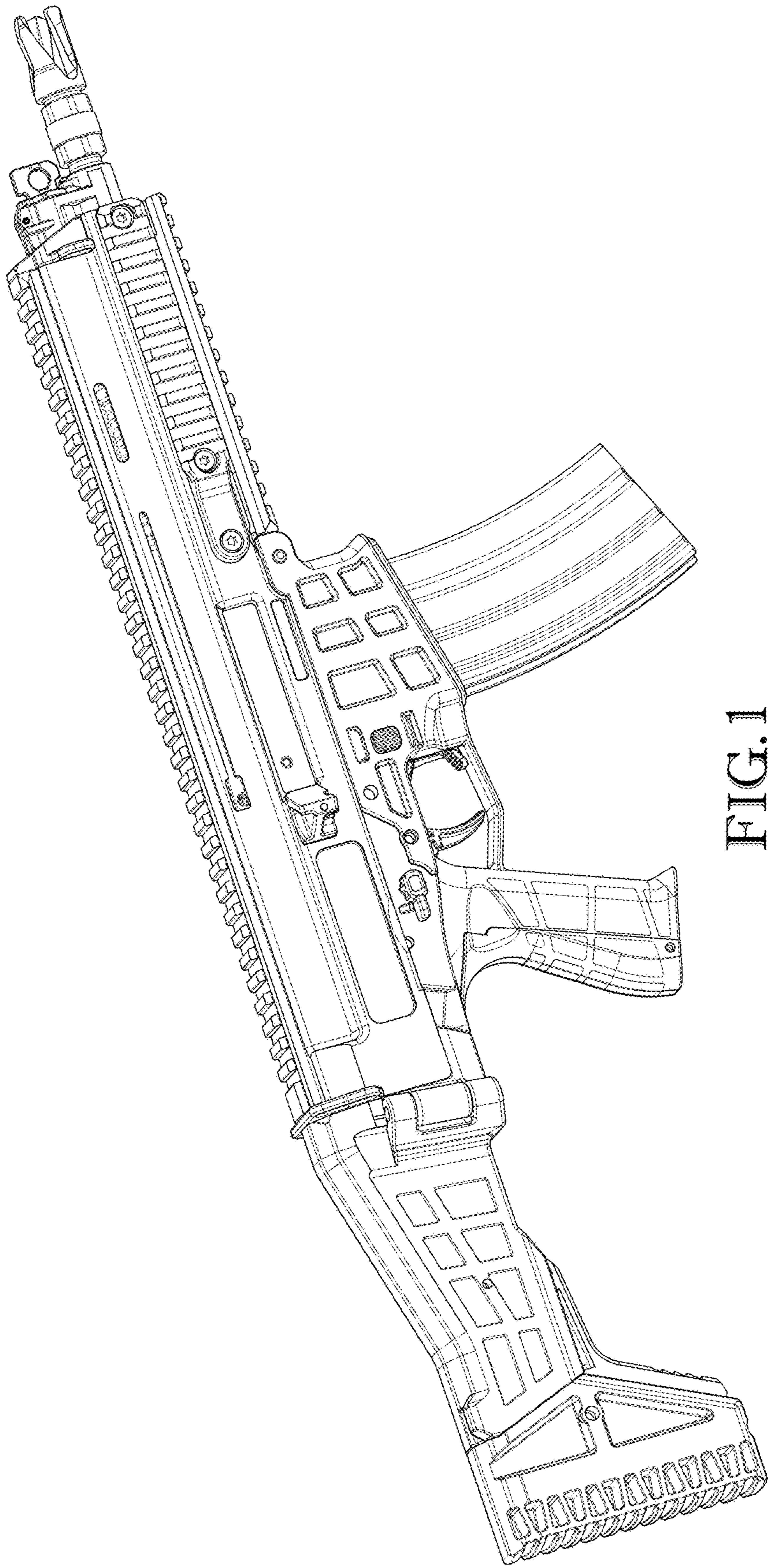


FIG. 1

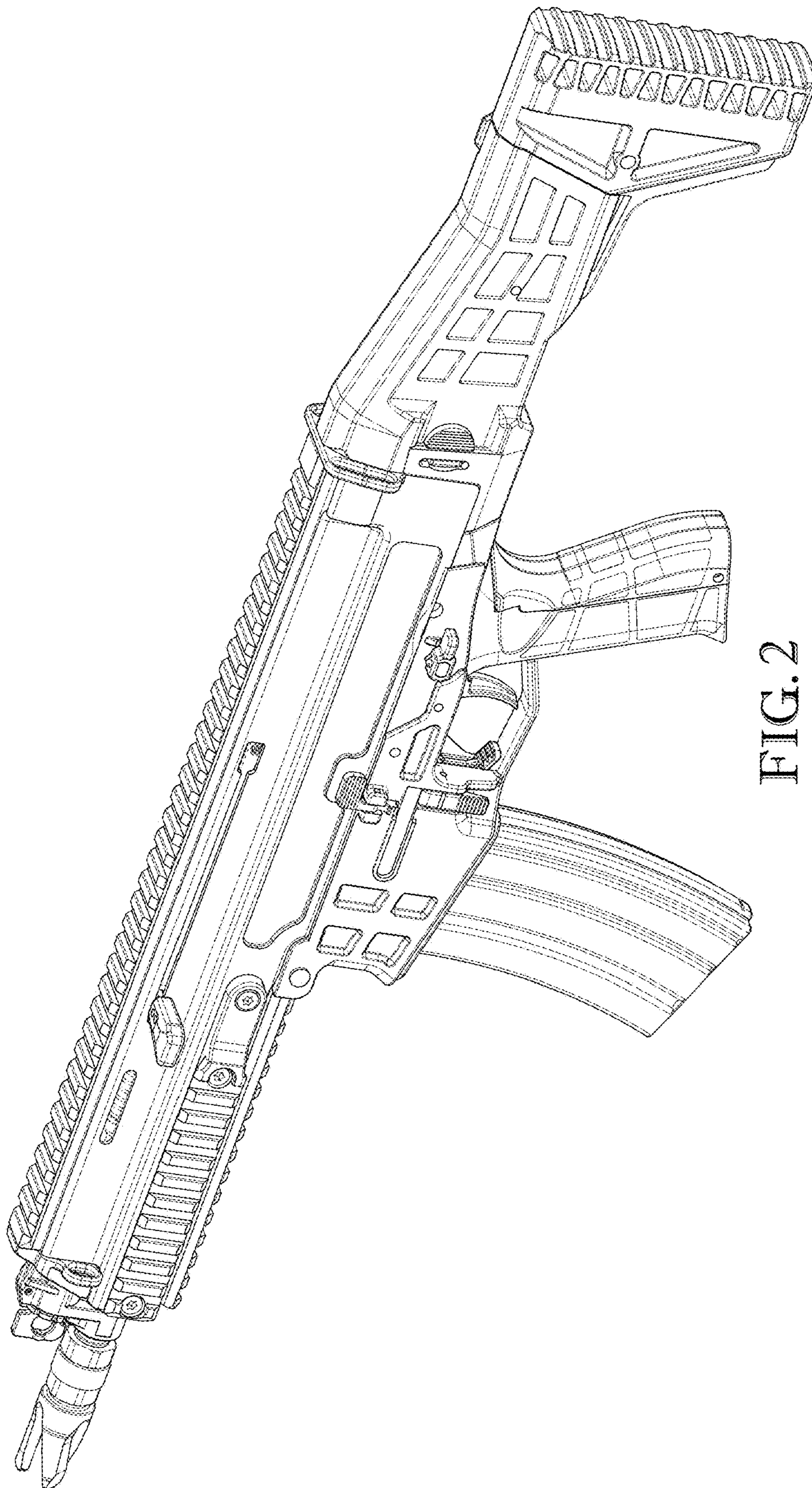


FIG. 2

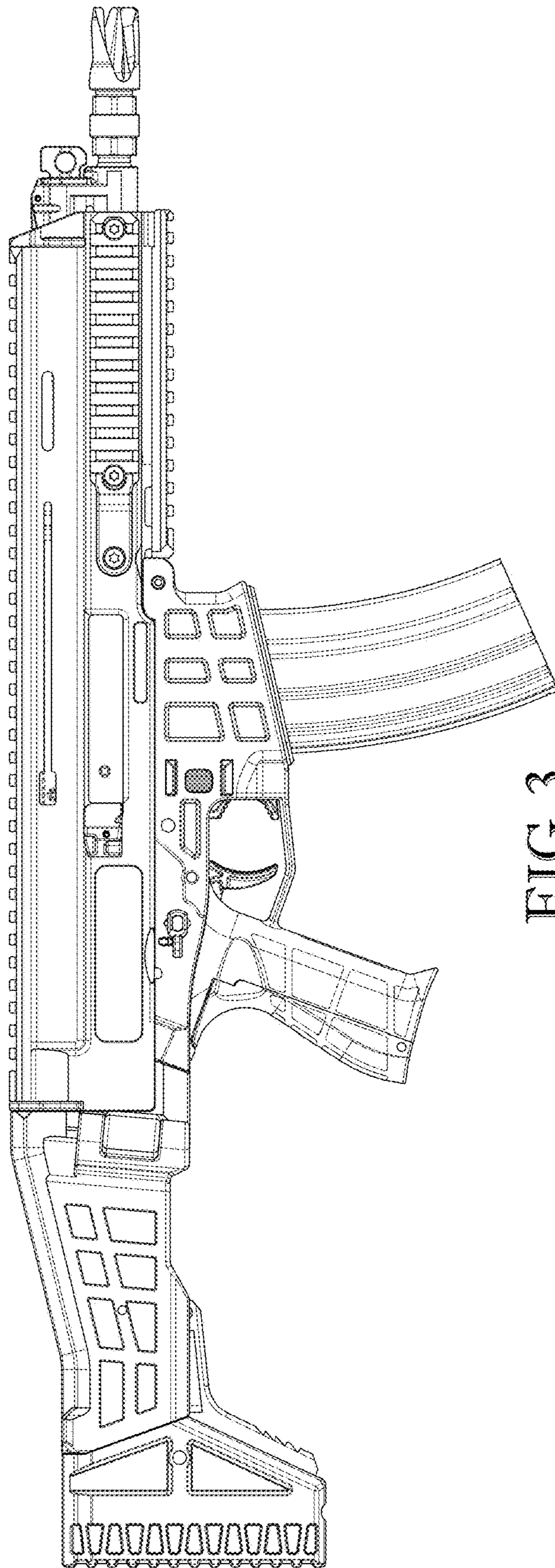


FIG. 3

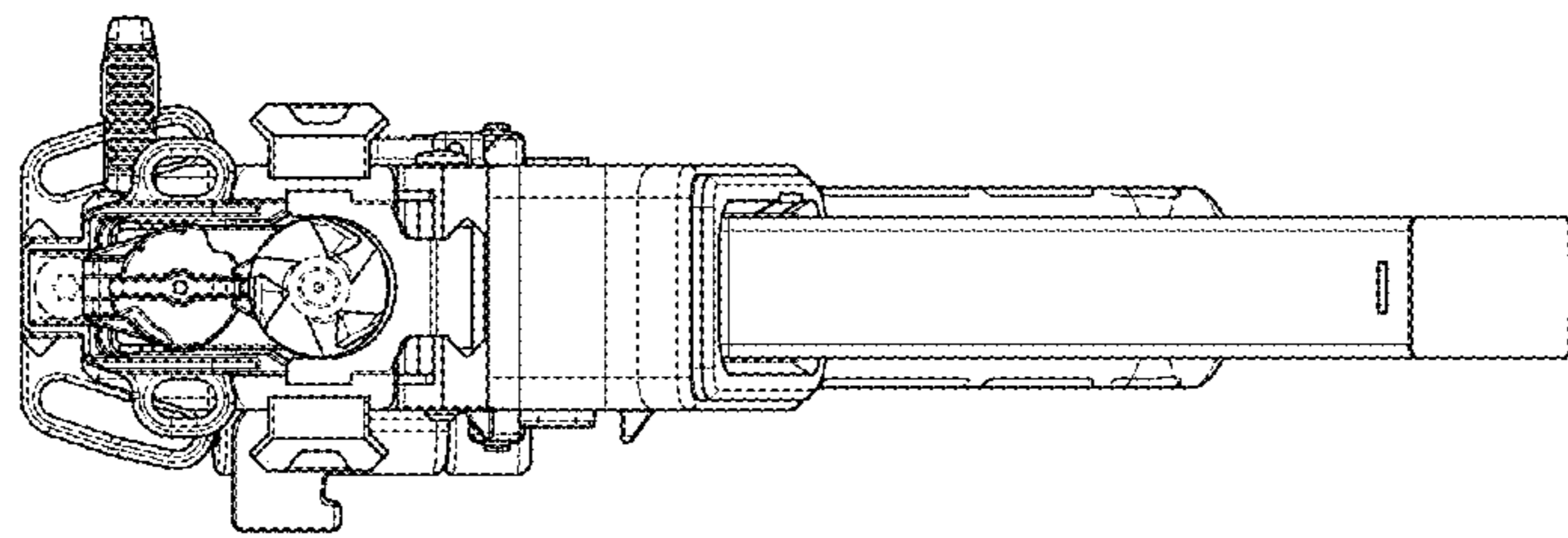


FIG. 4

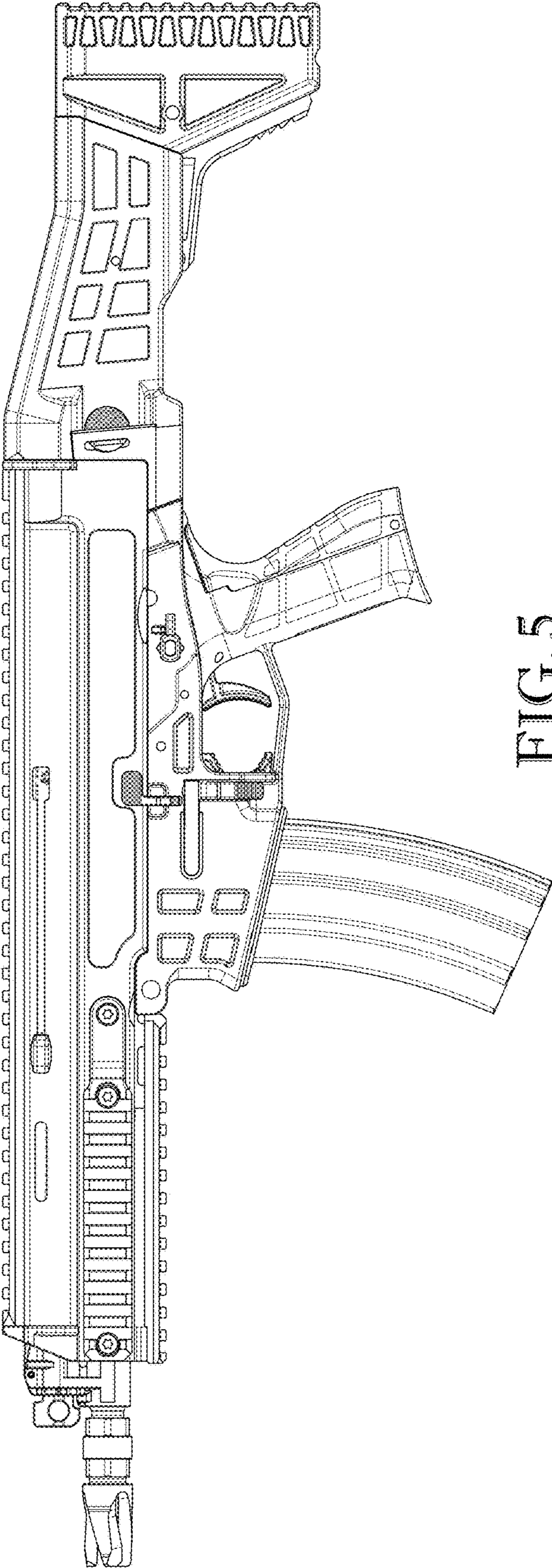


FIG. 5

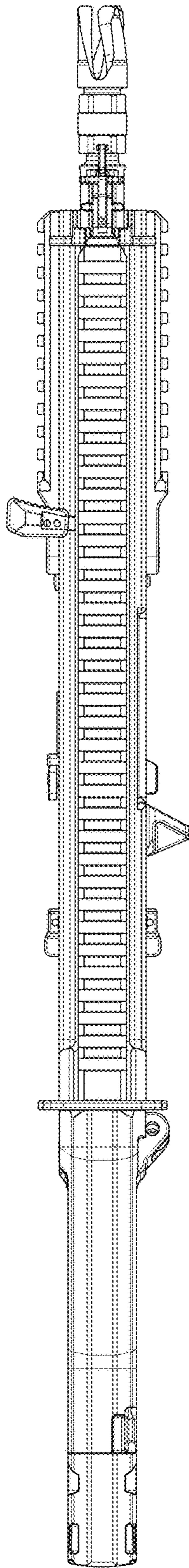


FIG. 6