



US00D864335S

(12) **United States Design Patent**  
**Yurek**

(10) **Patent No.:** **US D864,335 S**

(45) **Date of Patent:** **\*\* Oct. 22, 2019**

(54) **ROCKET PROJECTOR**

FOREIGN PATENT DOCUMENTS

(71) Applicant: **Cihan Sadik Yurek**, Mersin (TR)

KR 300944894 2/2018

(72) Inventor: **Cihan Sadik Yurek**, Mersin (TR)

\* cited by examiner

(\*\*) Term: **15 Years**

*Primary Examiner* — Michael A. Pratt

(21) Appl. No.: **35/505,577**

(22) Filed: **Feb. 27, 2018**

(57) **CLAIM**

(80) **Hague Agreement Data**

The ornamental design for a rocket projector, as shown and described.

Int. Filing Date: **Feb. 27, 2018**

Int. Reg. No.: **DM/100426**

Int. Reg. Date: **Feb. 27, 2018**

Int. Reg. Pub. Date: **Aug. 31, 2018**

**DESCRIPTION**

(51) **LOC (12) Cl.** ..... **22-01**

(52) **U.S. Cl.**  
USPC ..... **D22/100**

(58) **Field of Classification Search**  
USPC ..... D22/100-101, 112, 117  
CPC . F41B 11/55; F41B 11/51; F41B 11/62; F41F  
3/04; F41F 3/045  
See application file for complete search history.

- 1. Rocket projector
- 1.1 : Front
- 1.2 : Back
- 1.3 : Perspective
- 1.4 : Top
- 1.5 : Bottom
- 1.6 : Left
- 1.7 : Right

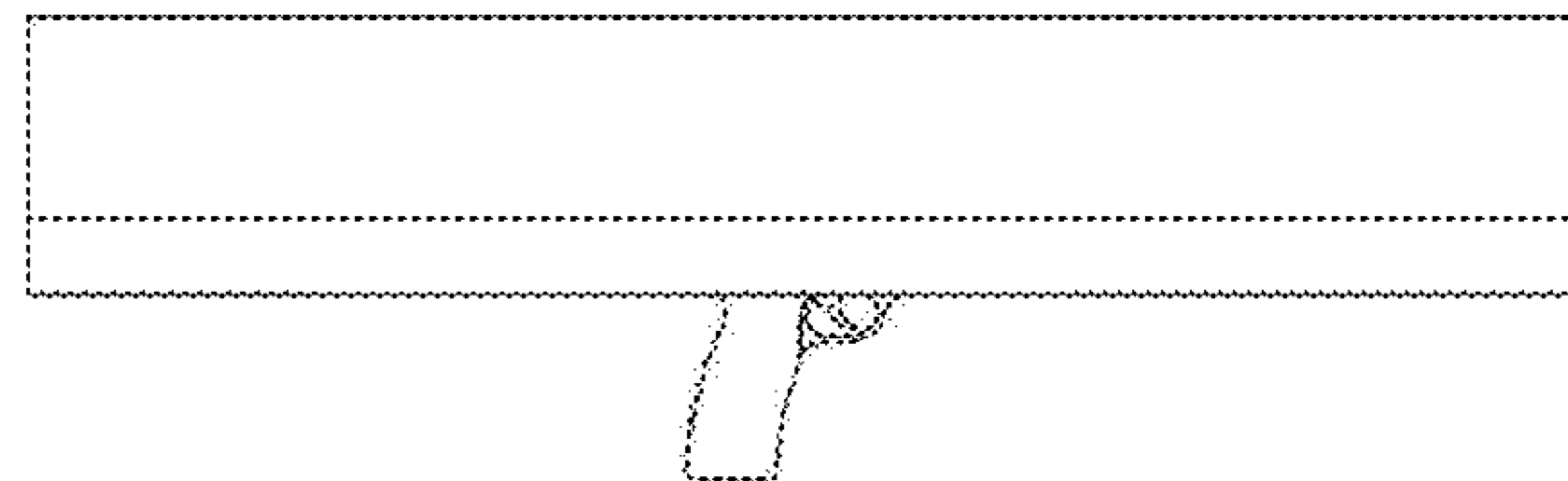
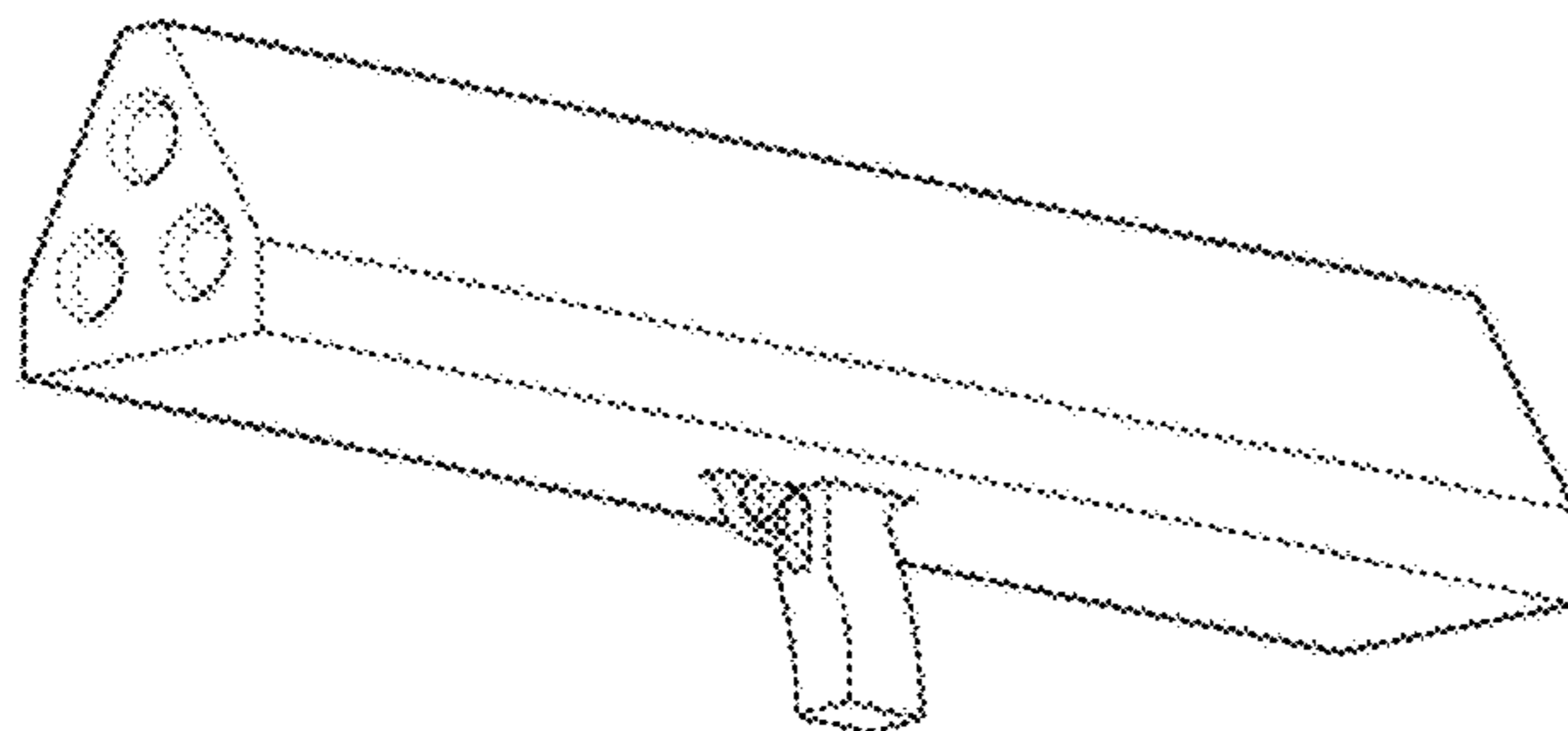
(56) **References Cited**

U.S. PATENT DOCUMENTS

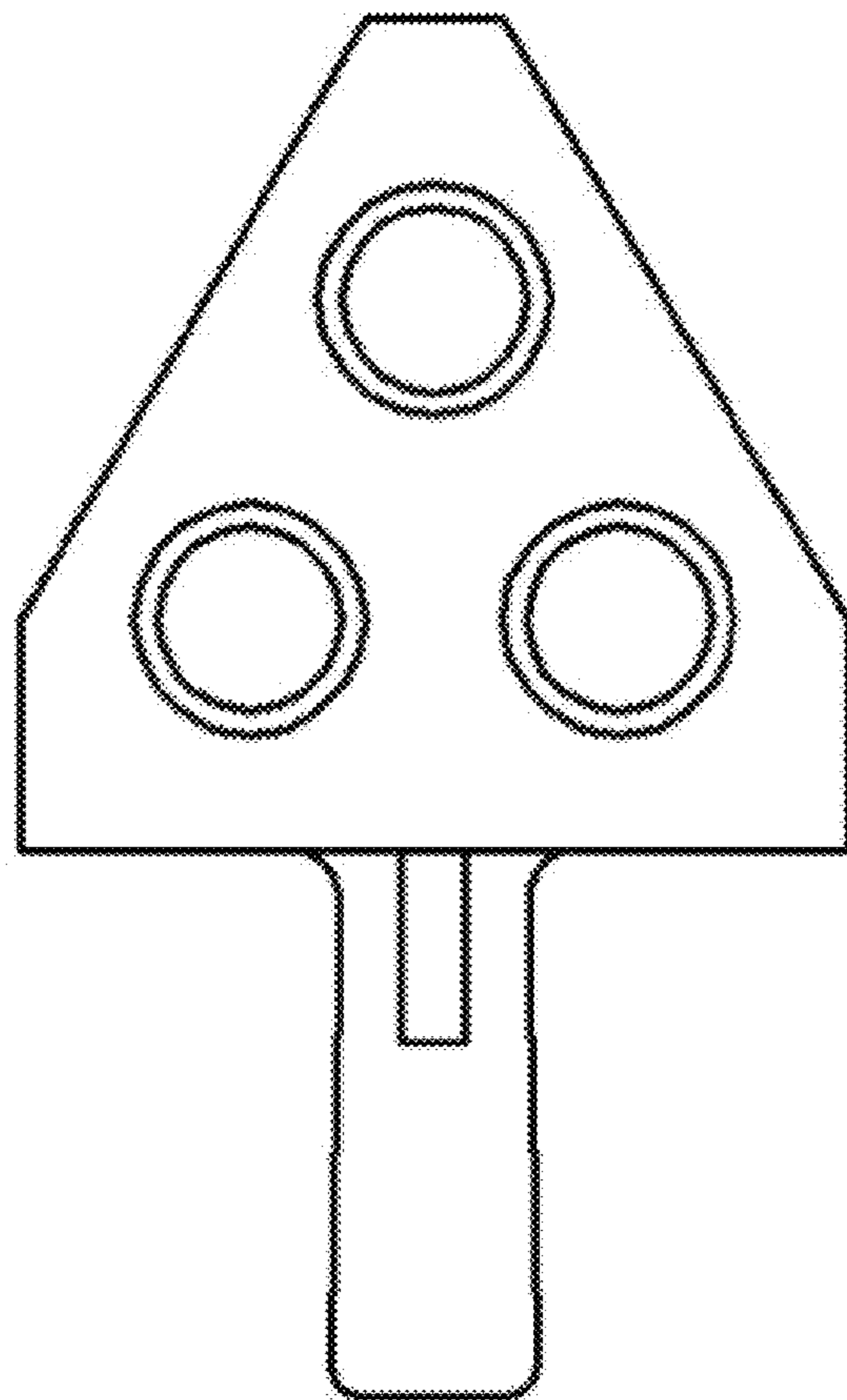
- 2,557,151 A \* 6/1951 Skinner ..... F41A 19/58  
89/1.814
- 2,913,960 A \* 11/1959 Harvey ..... F41F 3/0455  
42/85
- 2,966,827 A \* 1/1961 Harvey ..... F41F 3/0455  
206/3
- 5,657,546 A \* 8/1997 Canaday ..... F41G 11/003  
42/111

This rocket projector is designed with three rocket holes; the rocket trigger mechanism is designed under the body; top, bottom, back, front, left, right and perspective views of the design are presented.

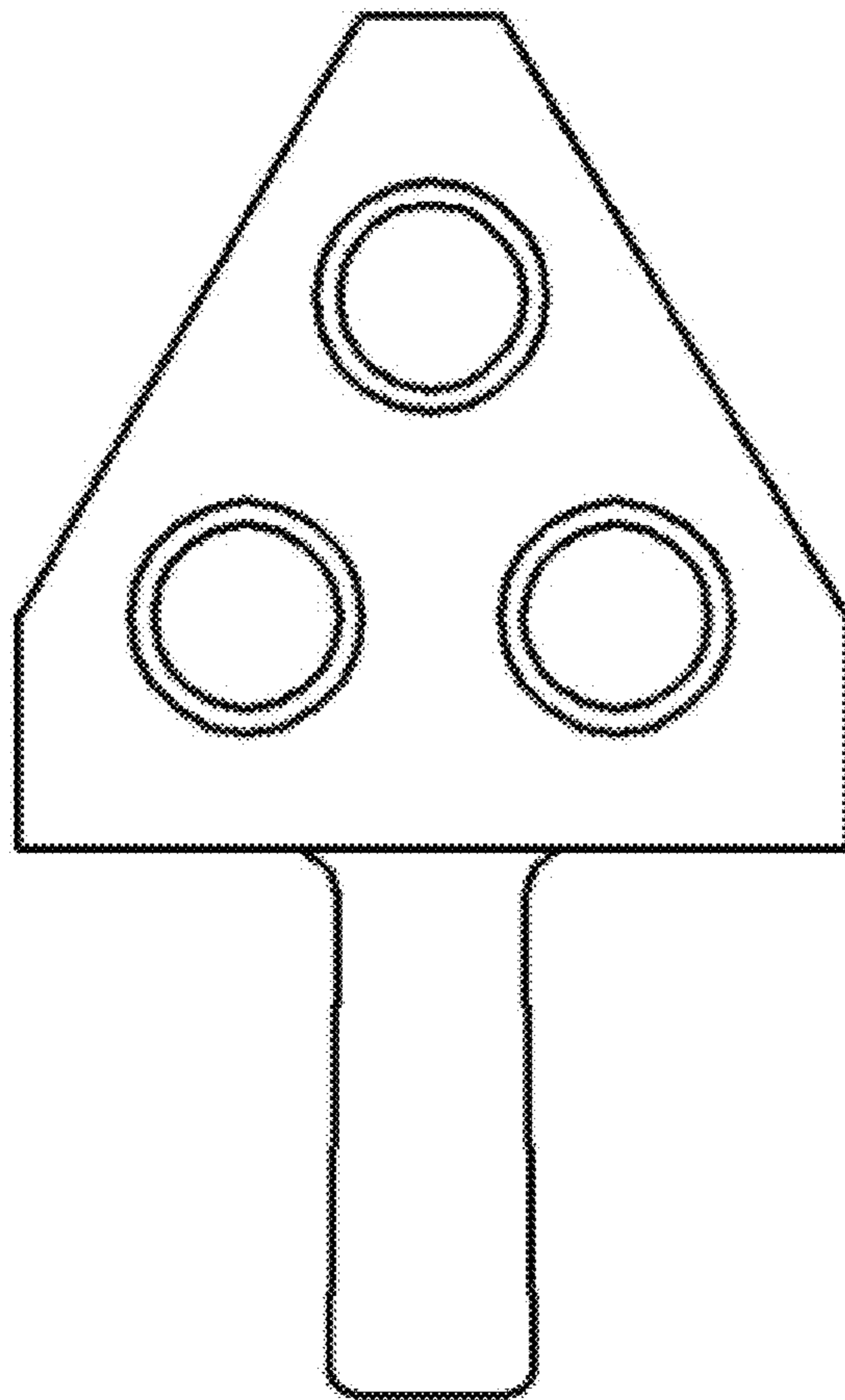
**1 Claim, 7 Drawing Sheets**



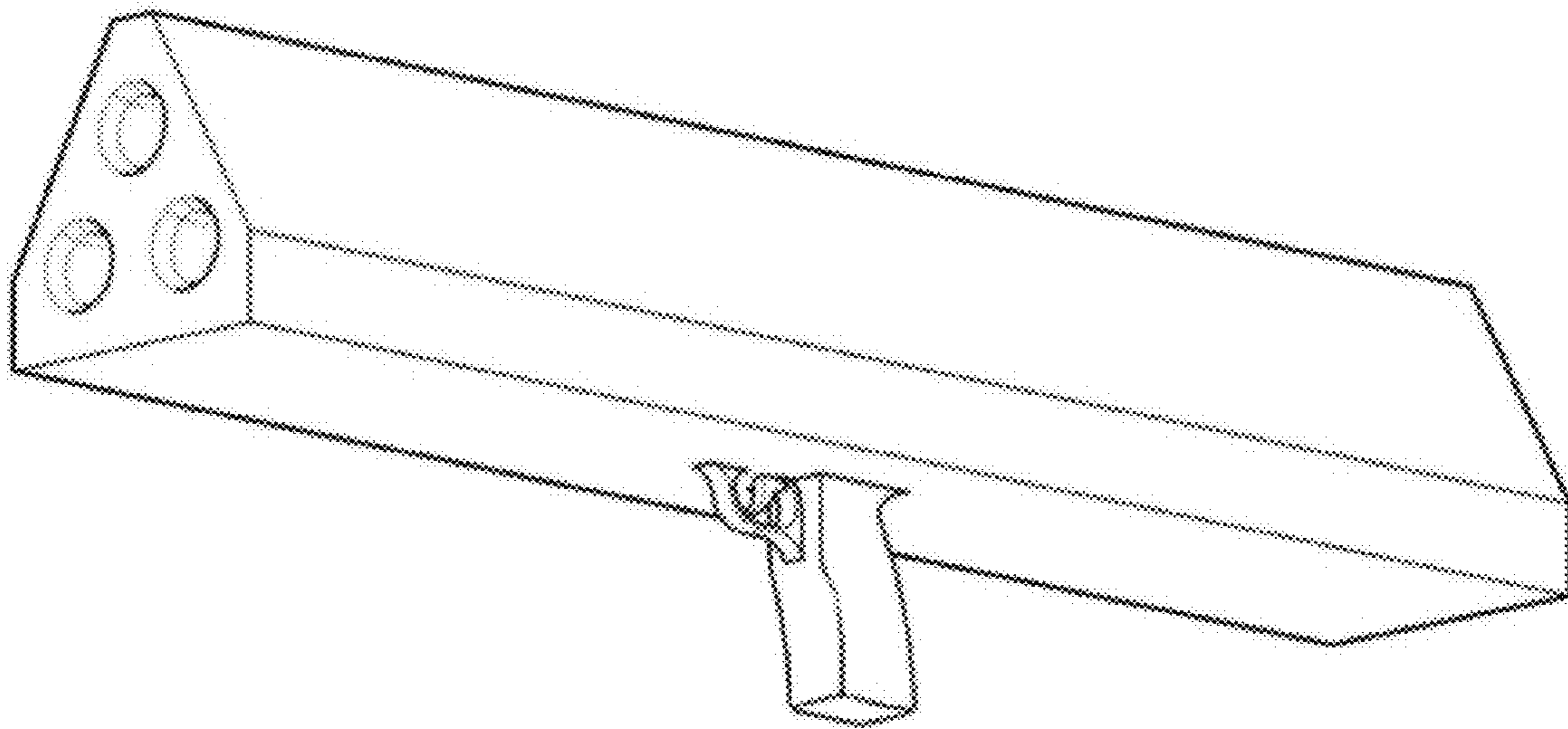
**1.1**



**1.2**

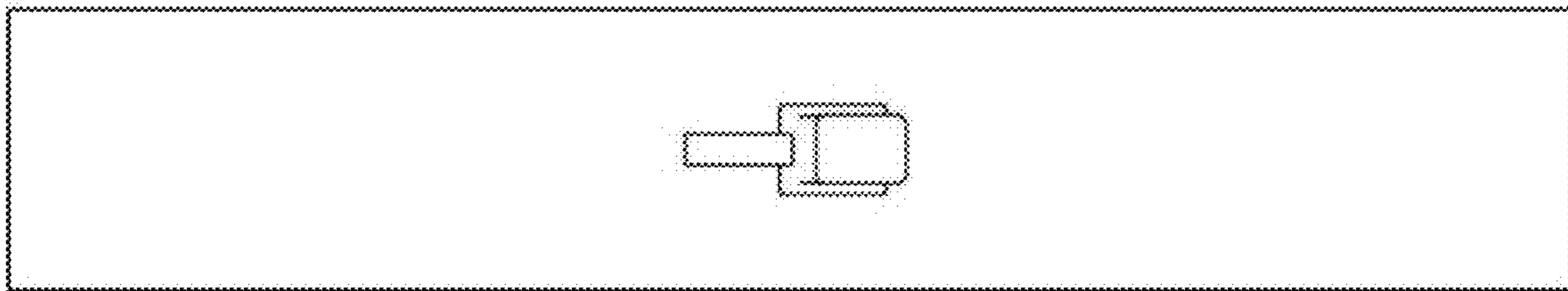


1.3

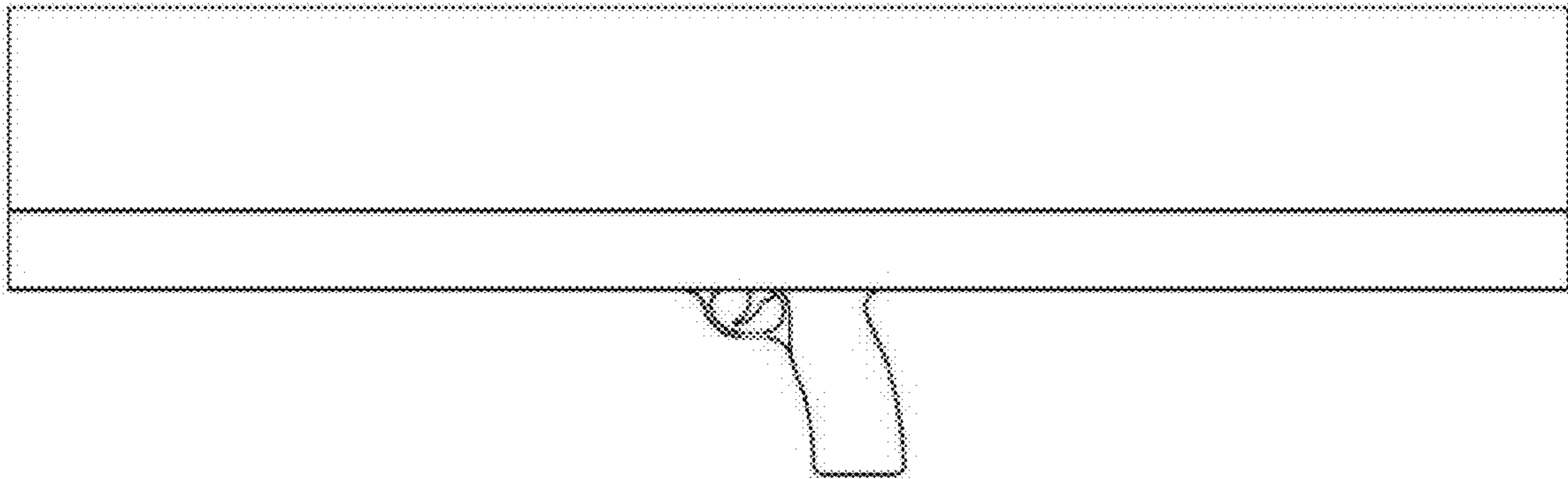


# 1.4


1.5



**1.6**



**1.7**

