



US00D864333S

(12) **United States Design Patent**
Wu

(10) **Patent No.:** **US D864,333 S**
(45) **Date of Patent:** **** Oct. 22, 2019**

- (54) **TENT**
- (71) Applicant: **Chun Wu**, Shenzhen (CN)
- (72) Inventor: **Chun Wu**, Shenzhen (CN)
- (**) Term: **15 Years**
- (21) Appl. No.: **29/691,047**
- (22) Filed: **May 14, 2019**
- (51) **LOC (12) Cl.** **21-04**
- (52) **U.S. Cl.**
USPC **D21/834**
- (58) **Field of Classification Search**
USPC D21/834-839; D25/13, 18, 19, 31, 32,
D25/33, 56
CPC E04H 15/06; E04H 15/14; E04H 15/16;
E04H 15/20; E04H 15/32; E04H 15/324;
E04H 15/36; E04H 15/40; E04H 15/44;
A47C 21/00; A47C 21/08; A47C 29/00
See application file for complete search history.

(56) **References Cited**

U.S. PATENT DOCUMENTS

4,074,682	A *	2/1978	Yoon	E04H 15/48 135/135
4,750,509	A *	6/1988	Kim	E04H 15/36 135/135
5,195,551	A *	3/1993	Ju	E04H 15/425 135/126
D352,759	S *	11/1994	Cantwell	D21/834
5,884,646	A *	3/1999	Ju	E04H 15/64 135/135
D535,350	S *	1/2007	Ju	D21/834
D594,080	S *	6/2009	Flem	D21/834
8,448,656	B2 *	5/2013	Choi	E04H 15/48 135/135
D689,158	S *	9/2013	Lucero	D21/834
D725,211	S *	3/2015	Lah	D21/834
D725,212	S *	3/2015	Lah	D21/834

D778,382	S *	2/2017	Weber	D21/834
9,650,805	B2 *	5/2017	Choi	E04H 15/32
9,732,539	B2 *	8/2017	Kim	E04H 15/48
9,976,319	B2 *	5/2018	Lamke	E04H 15/46
D822,141	S	7/2018	Xiao		
D838,801	S	1/2019	Chaklos		
D839,984	S	2/2019	Liu		

(Continued)

Primary Examiner — Cynthia M. Chin

(57) **CLAIM**

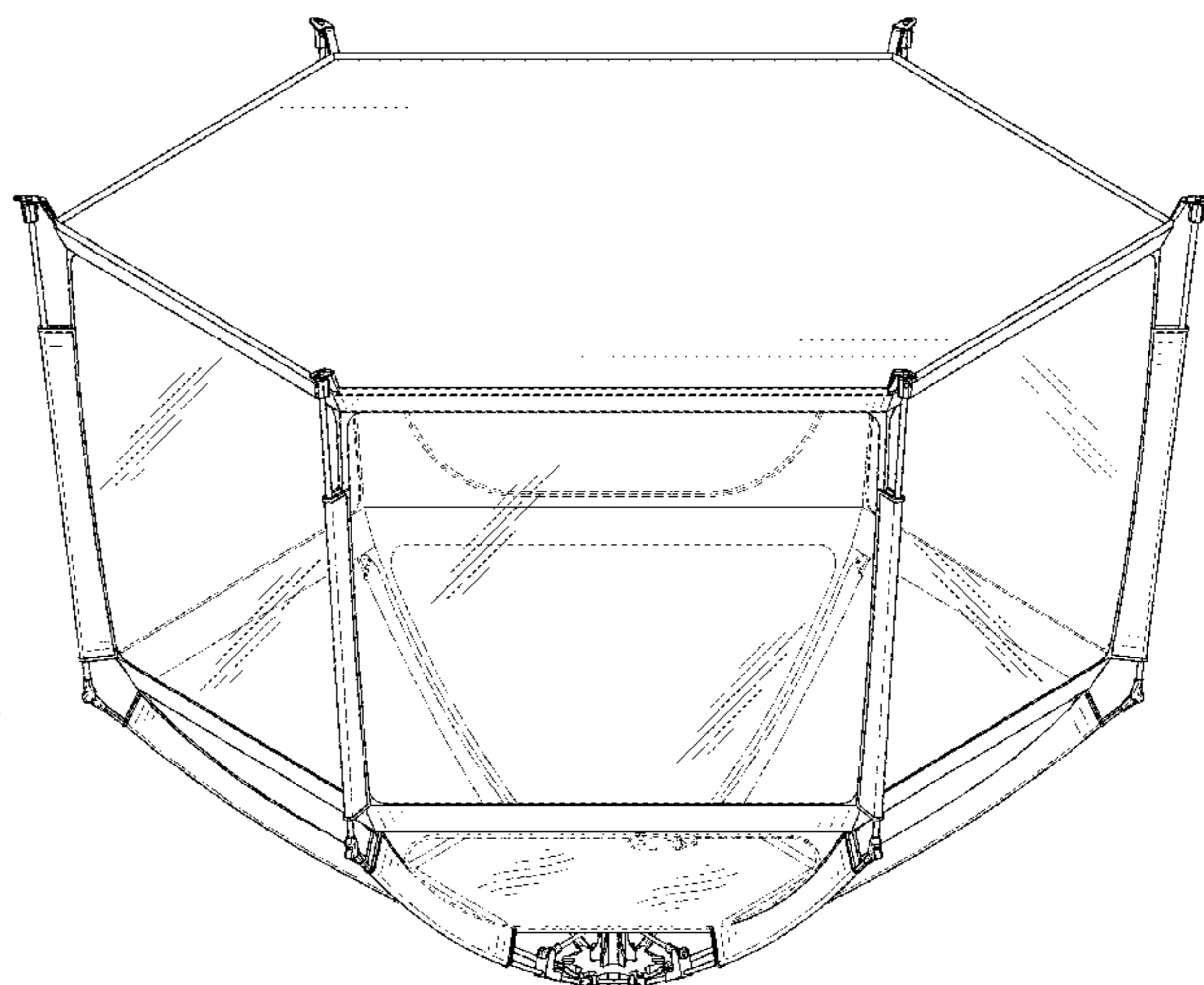
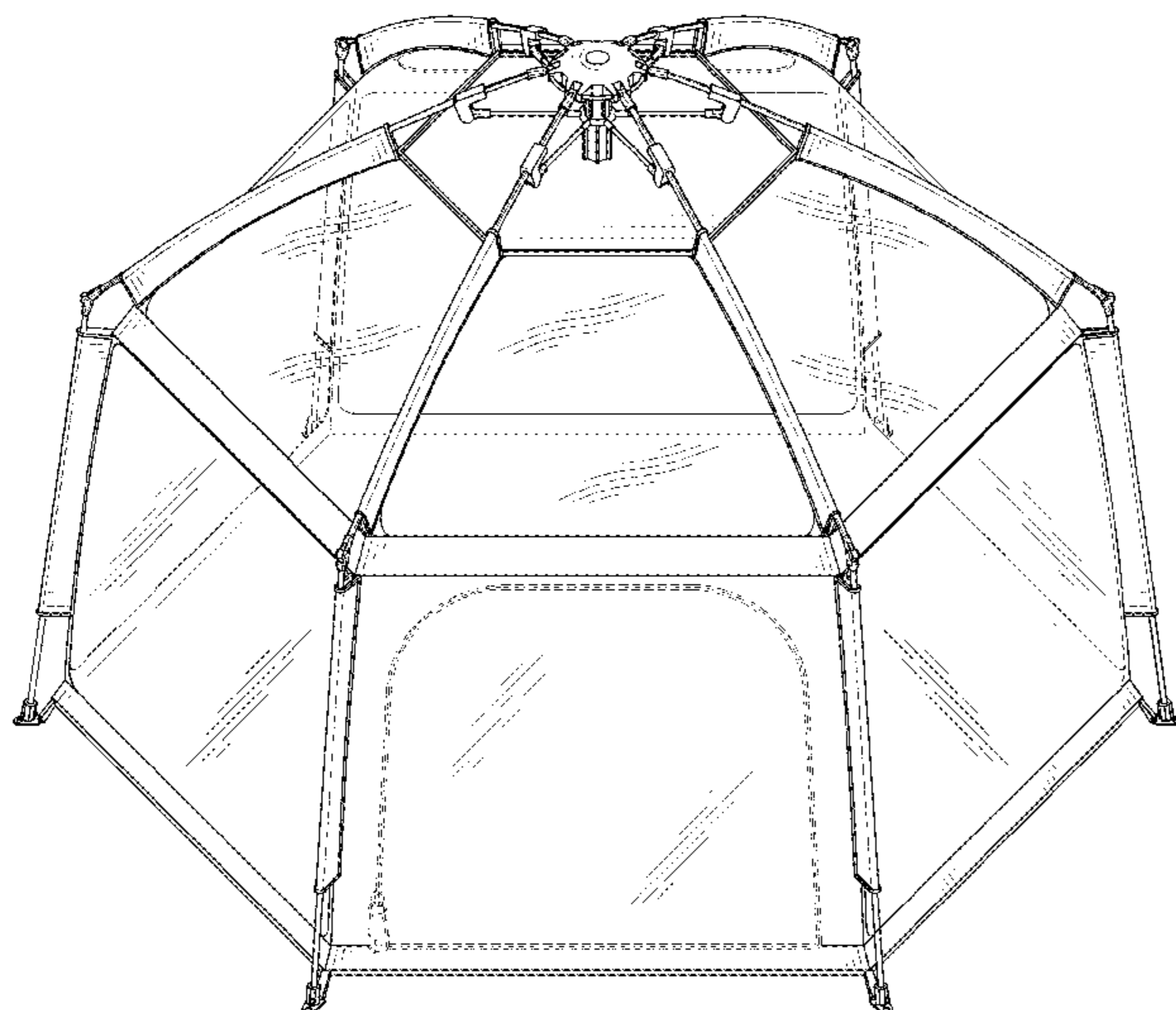
The ornamental design for a tent, as shown and described.

DESCRIPTION

FIG. 1 is a first perspective view of a tent showing my design;
 FIG. 2 is a second perspective view thereof;
 FIG. 3 is a front view thereof;
 FIG. 4 is a back view thereof;
 FIG. 5 is a left side view thereof;
 FIG. 6 is a right side view thereof;
 FIG. 7 is a top view thereof;
 FIG. 8 is a bottom view thereof;
 FIG. 9 is an enlarged view of the selected portion in FIG. 1;
 FIG. 10 is an enlarged view of the selected portion in FIG. 1;
 FIG. 11 is an enlarged view of the selected portion in FIG. 2;
 FIG. 12 is an enlarged view of the selected portion in FIG. 2; and,
 FIG. 13 is an enlarged view of the selected portion in FIG. 5.

The broken lines are for the purpose of illustrating portions of the tent that form no part of the claimed design. The dash-dot broken lines represent the boundaries of the enlarged partial views of FIGS. 9-13 and form no part of the claimed design.

1 Claim, 13 Drawing Sheets



(56)

References Cited

U.S. PATENT DOCUMENTS

2007/0215192 A1* 9/2007 Hoffman E04H 15/38
135/135

* cited by examiner

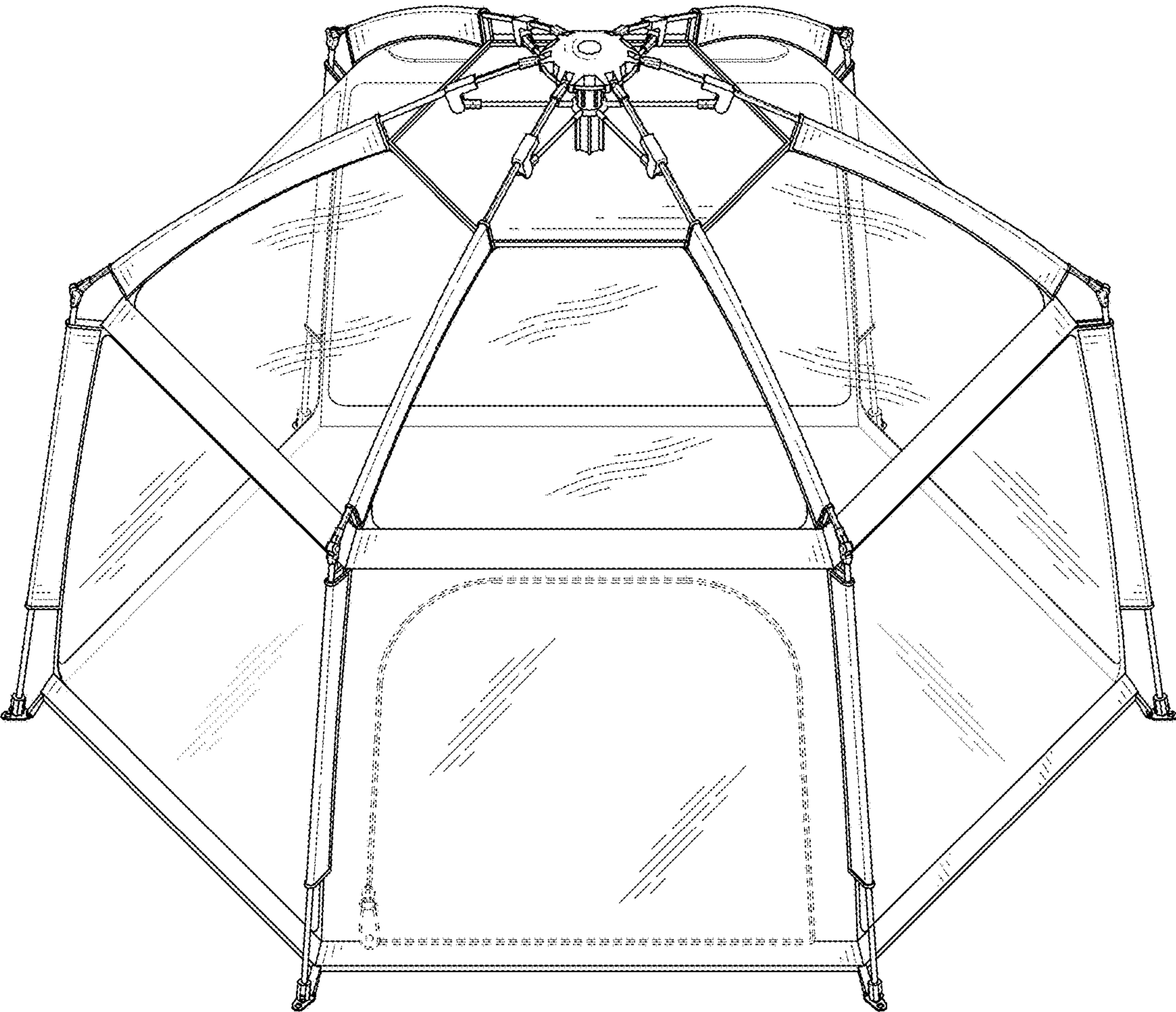


FIG. 1

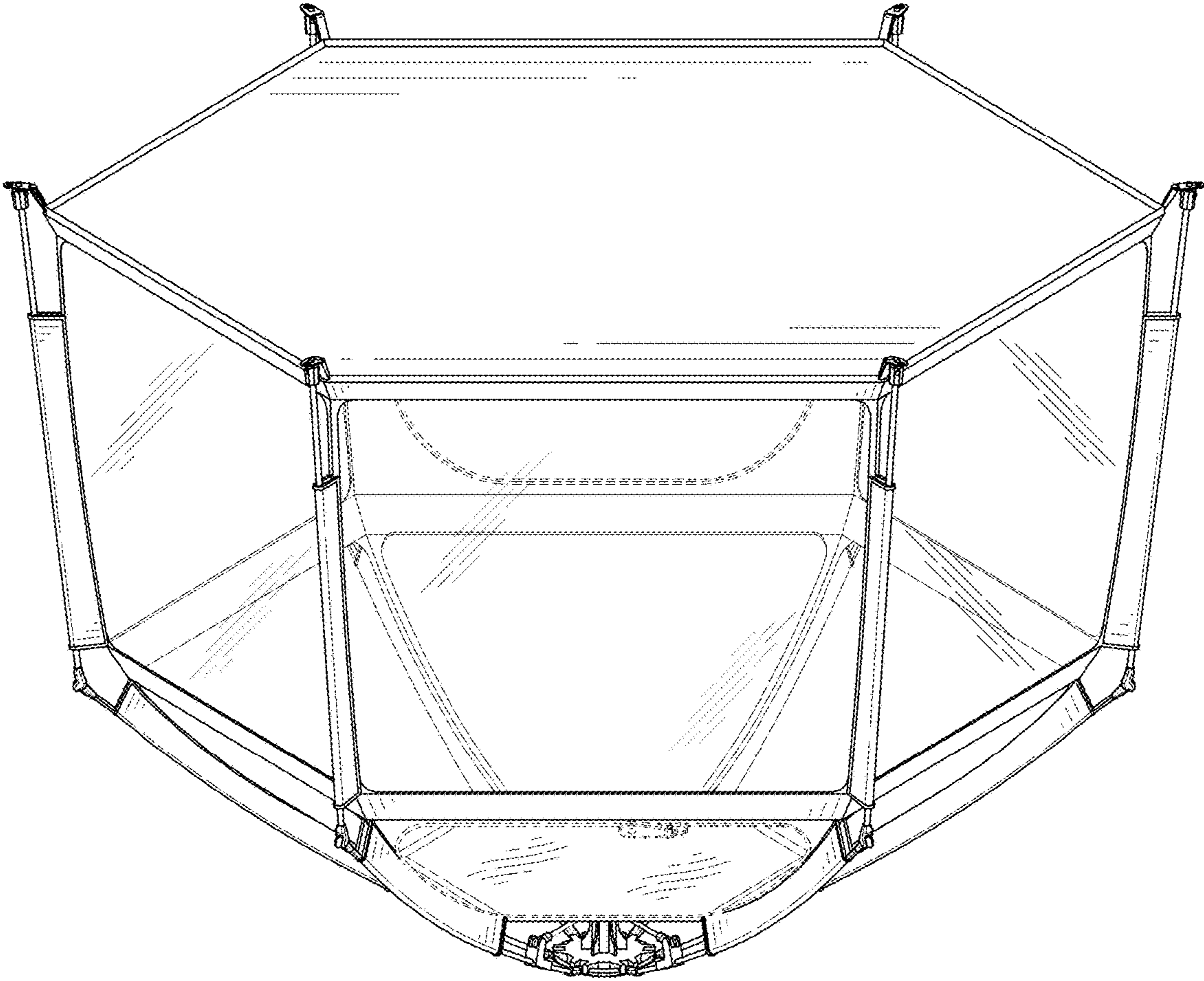


FIG. 2

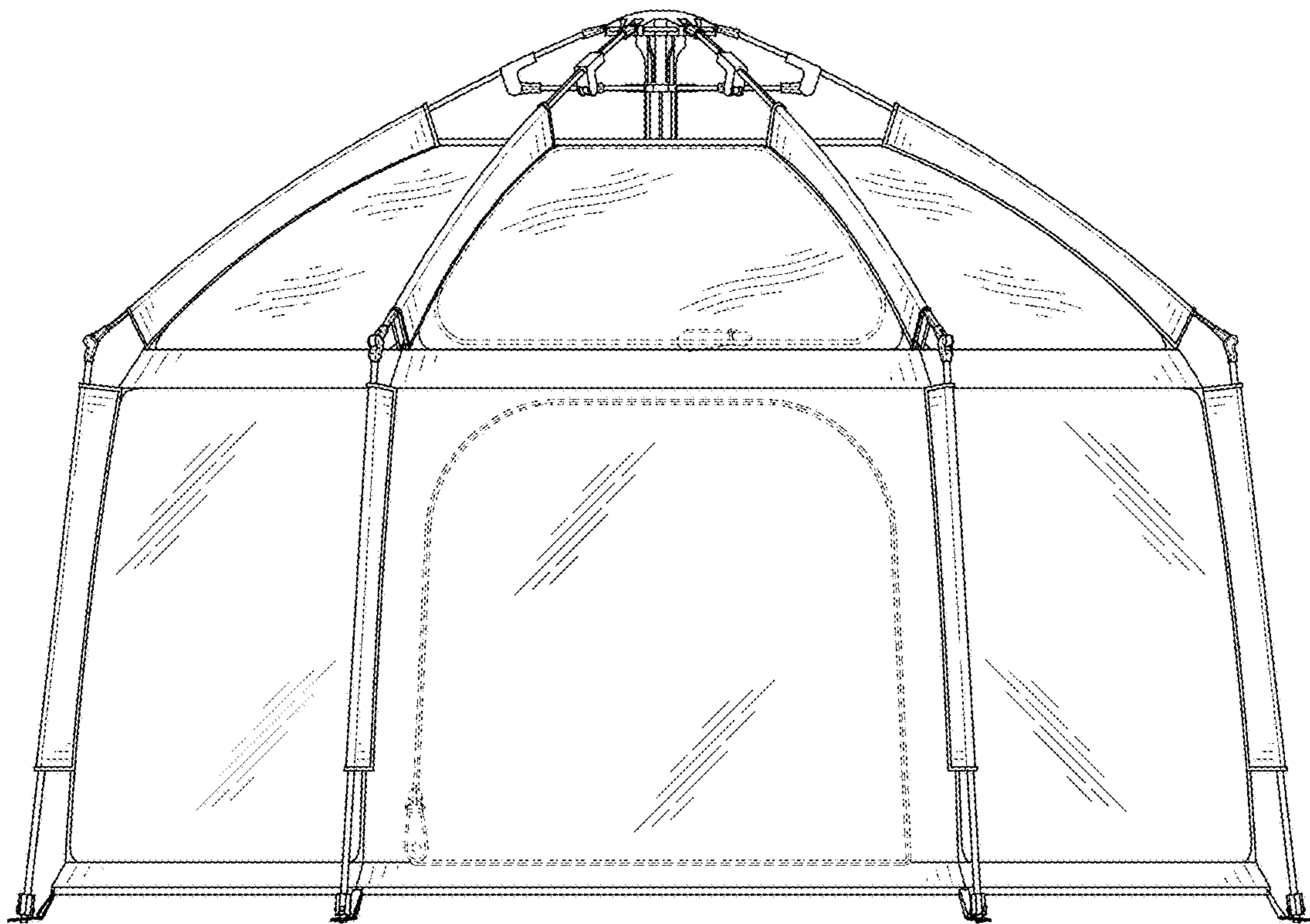


FIG. 3

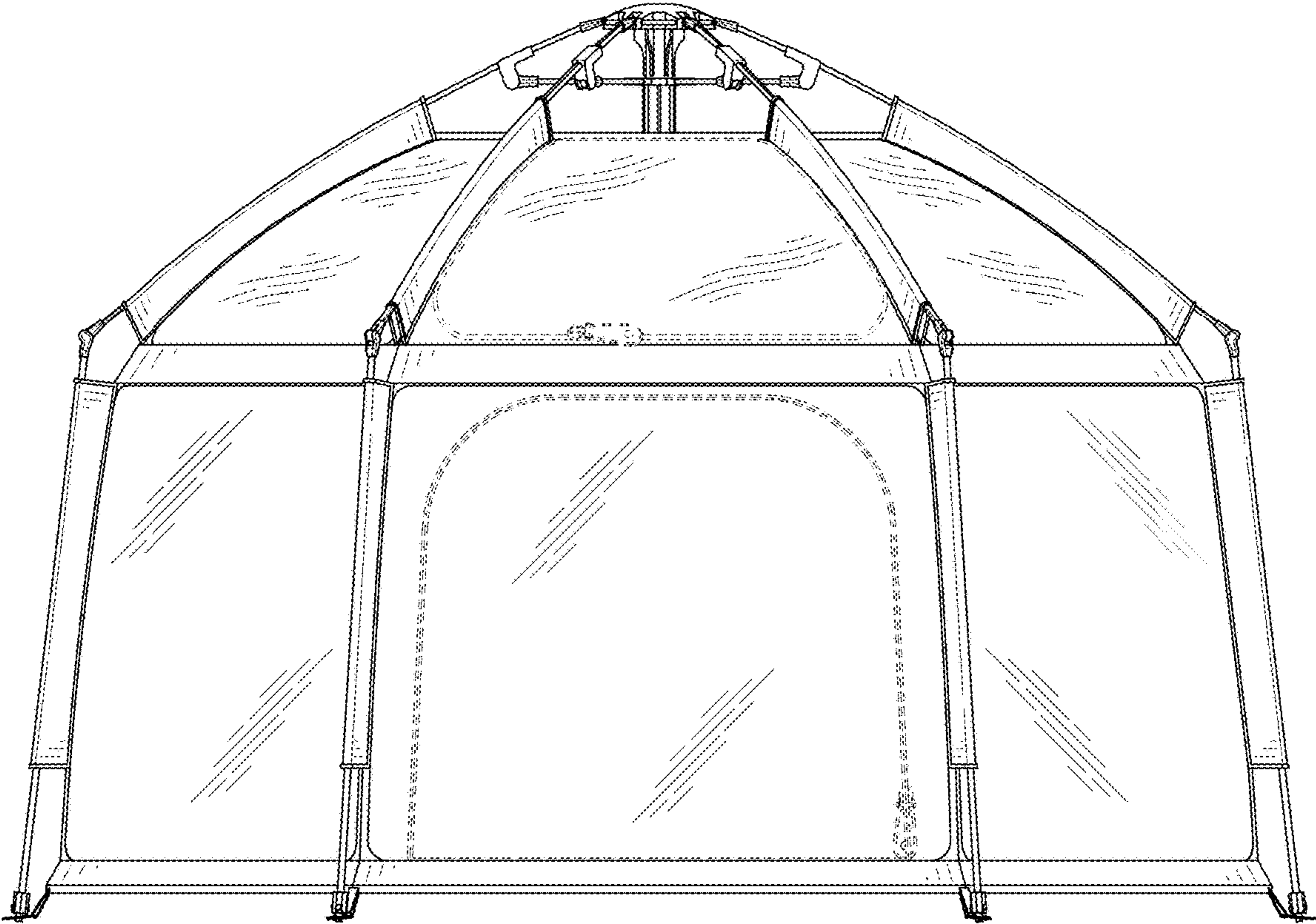


FIG. 4

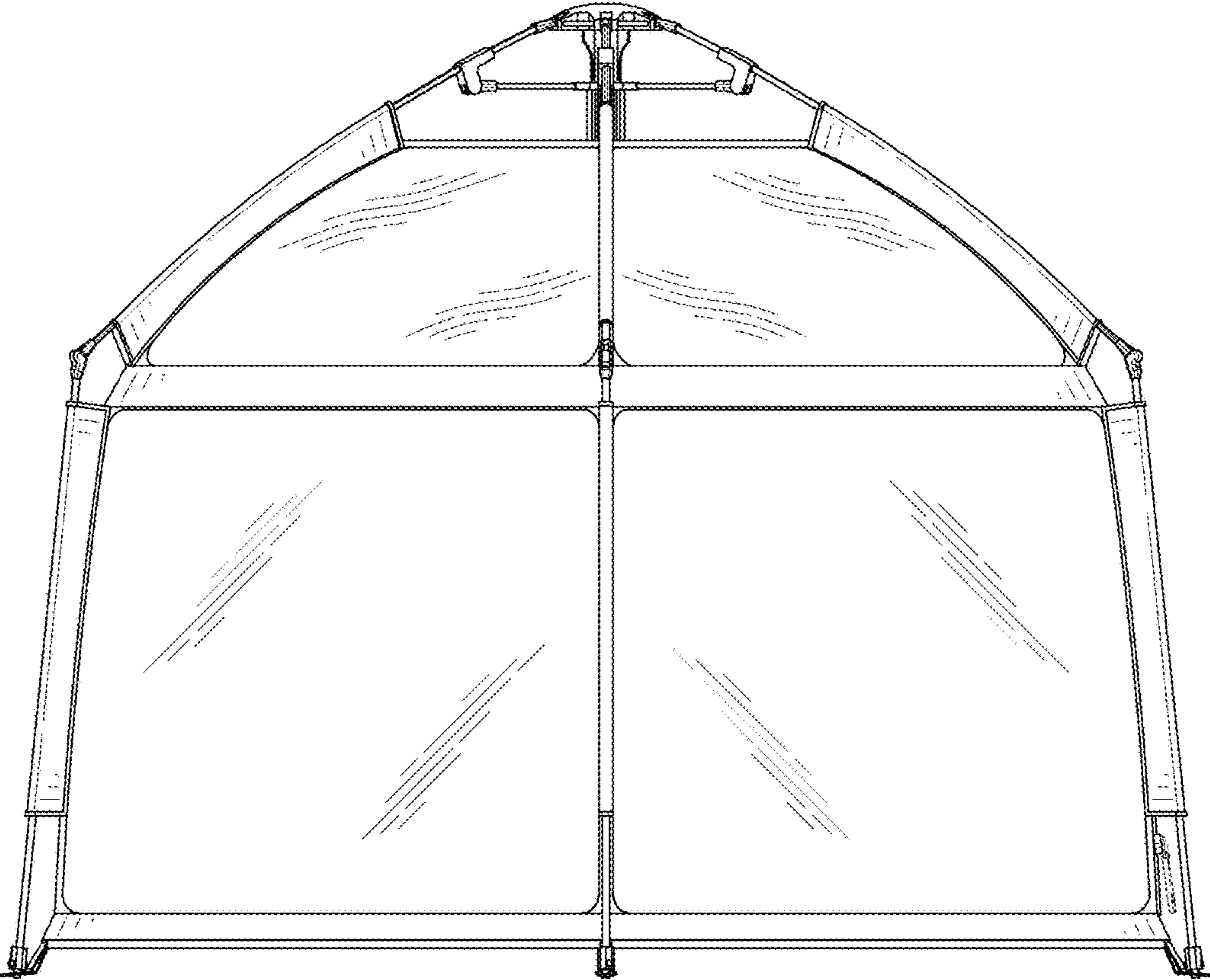


FIG. 5

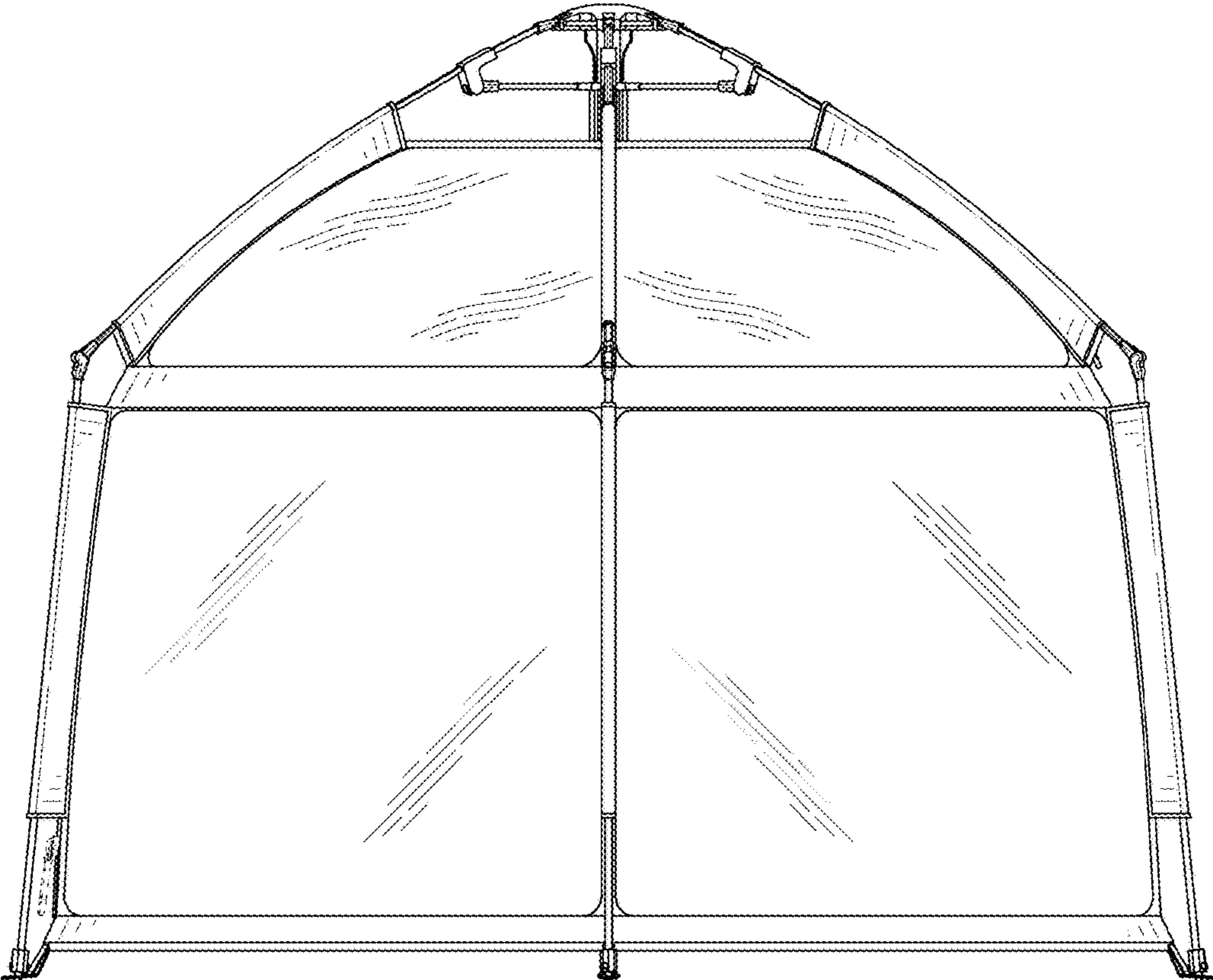


FIG. 6

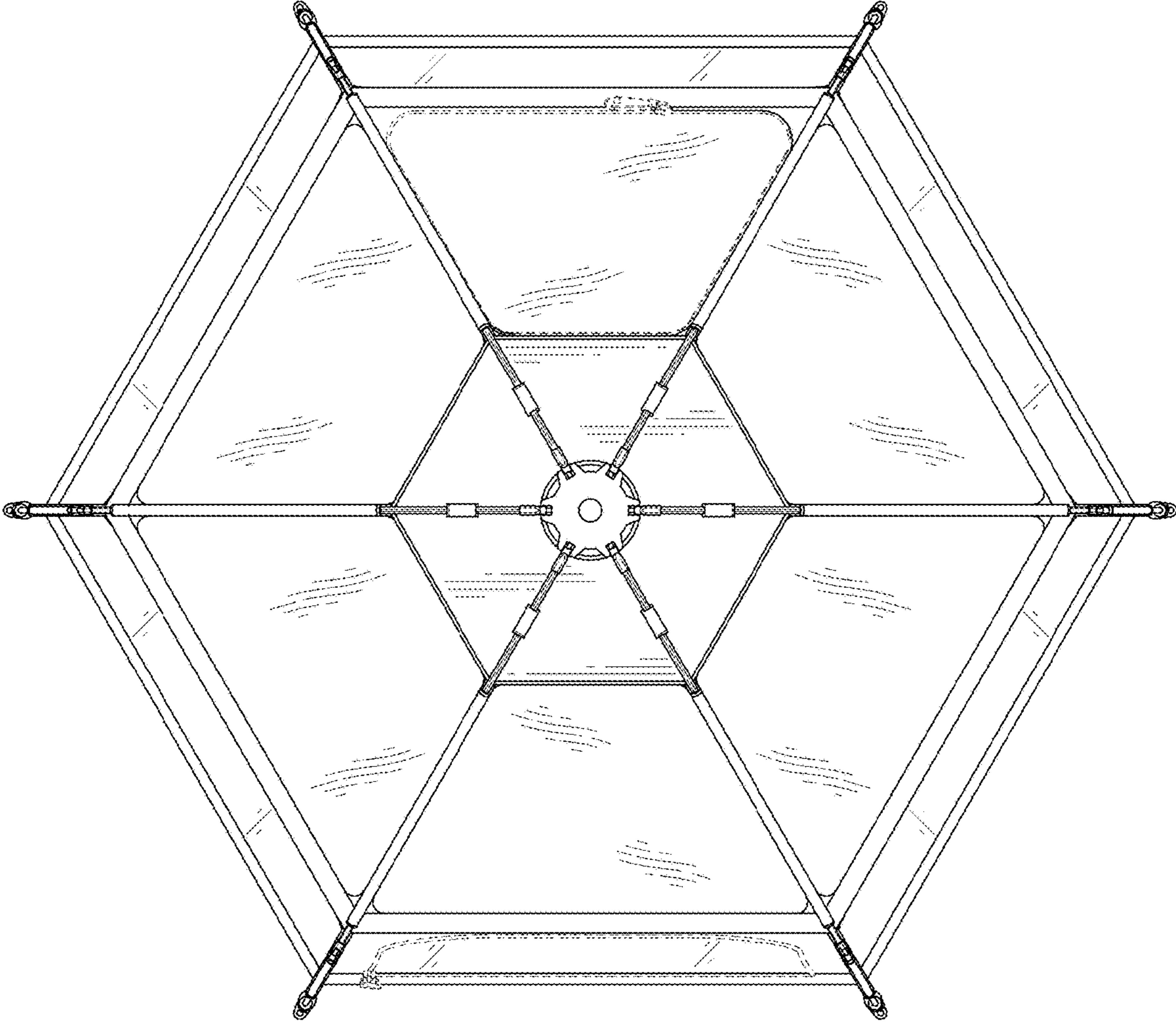


FIG. 7

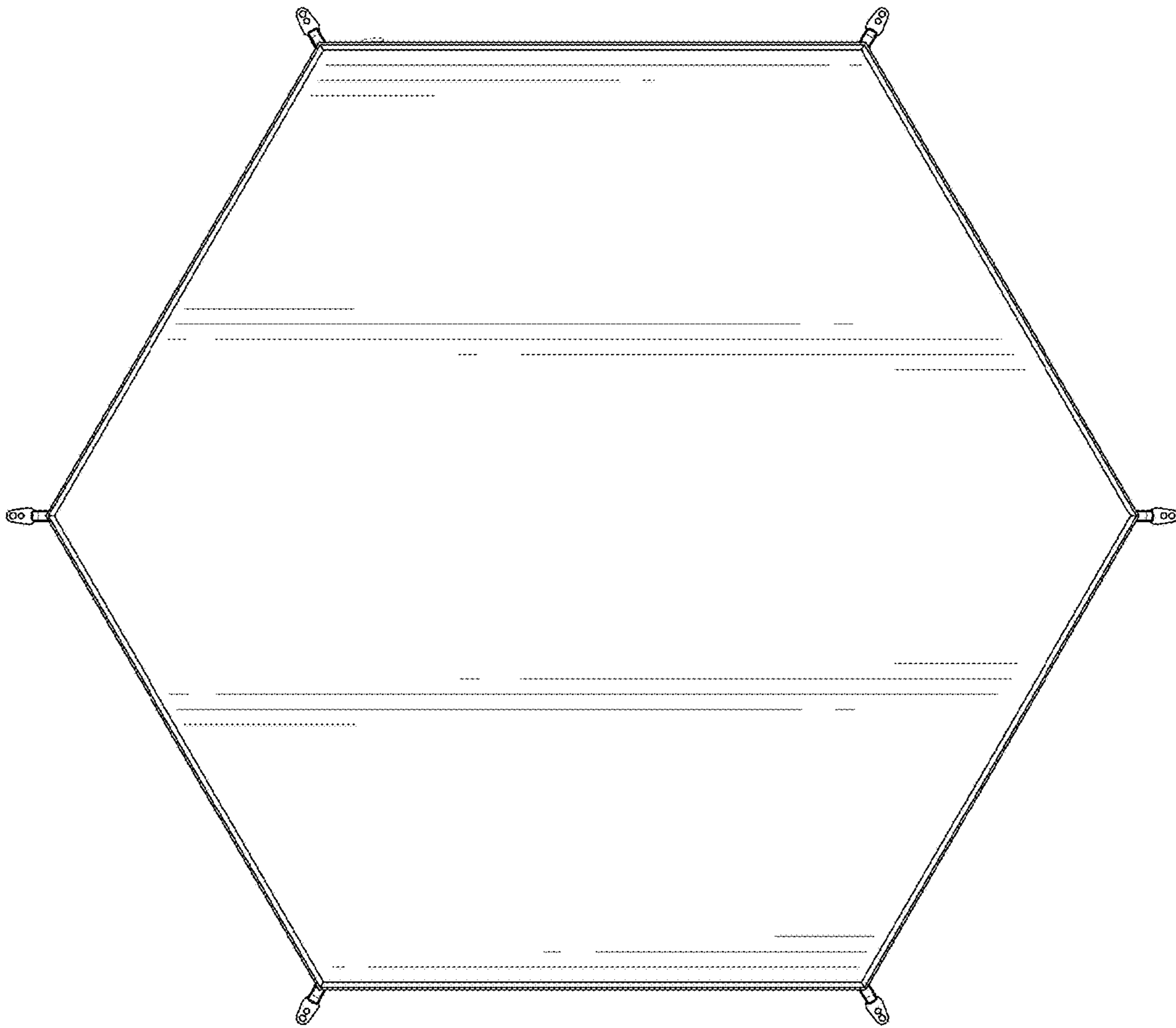


FIG. 8

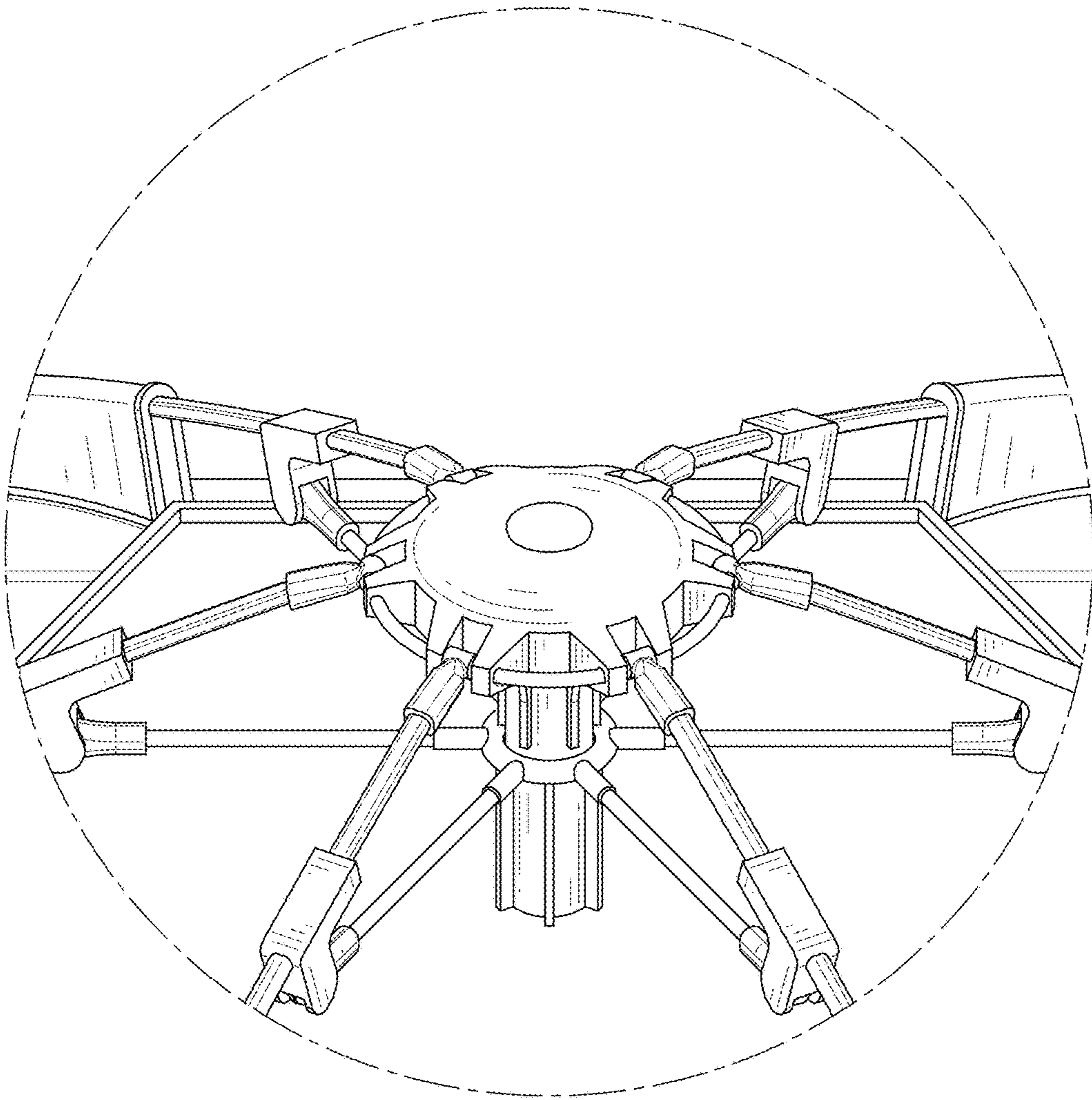


FIG. 9

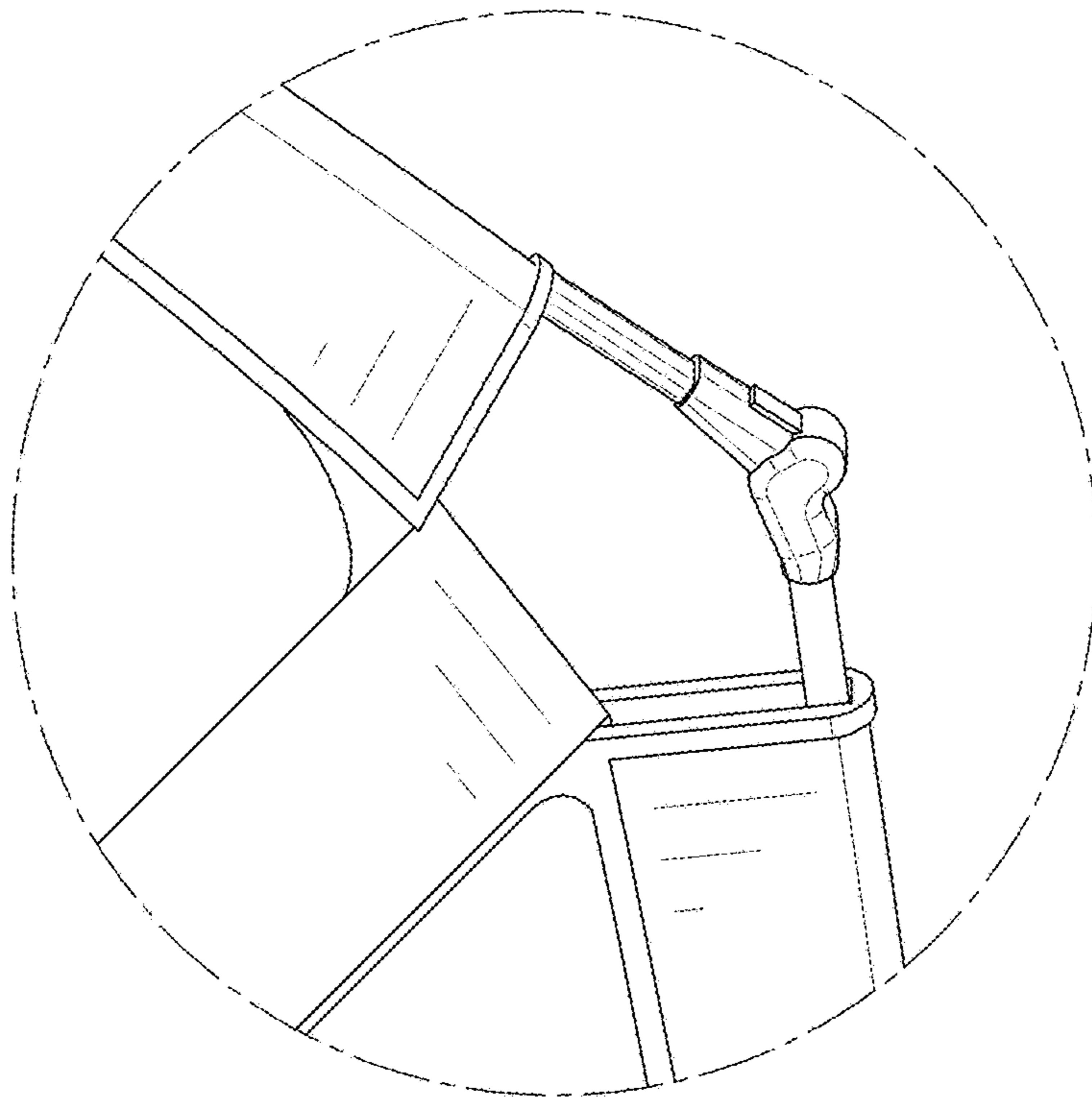


FIG. 10

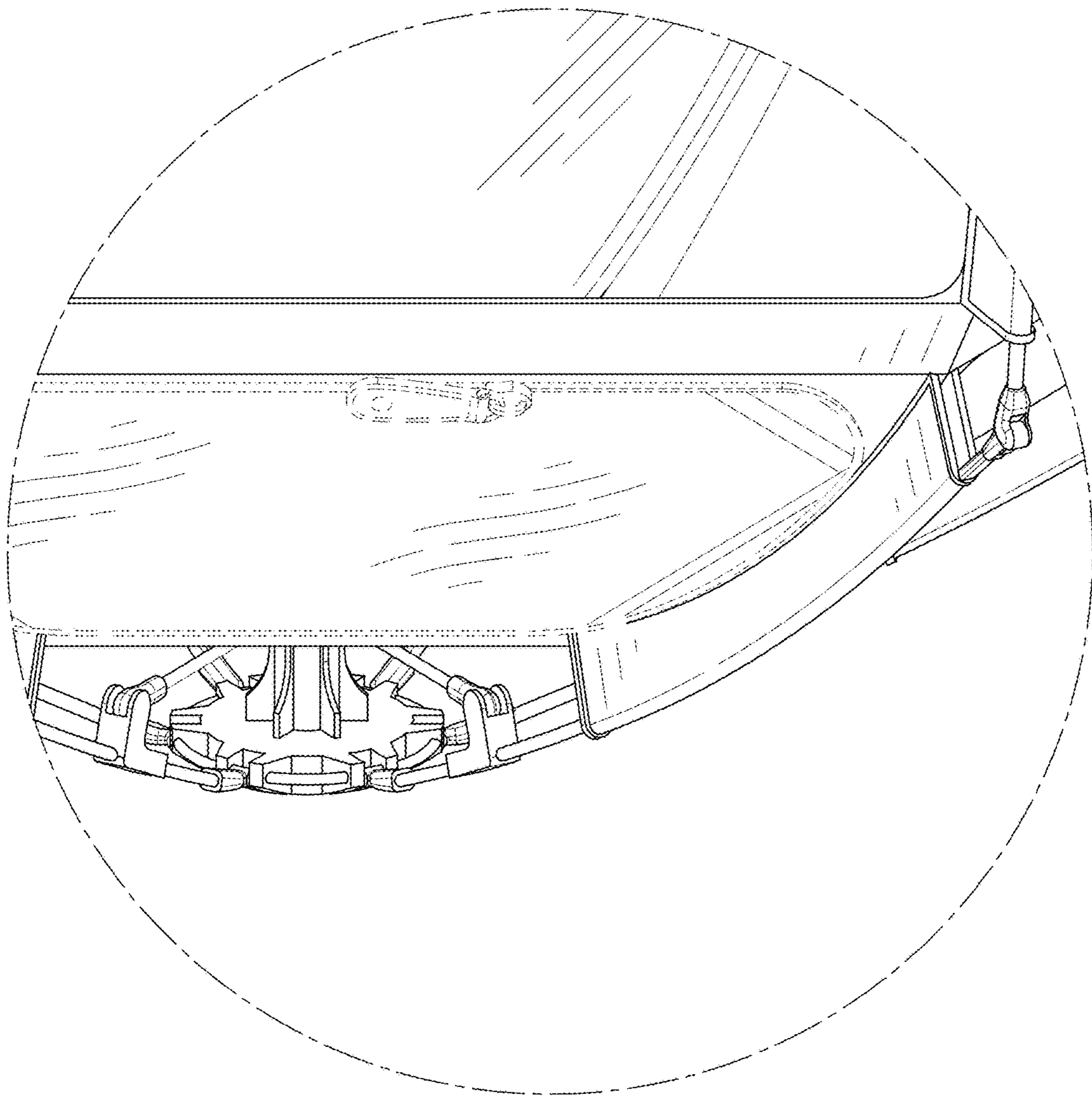


FIG. 11

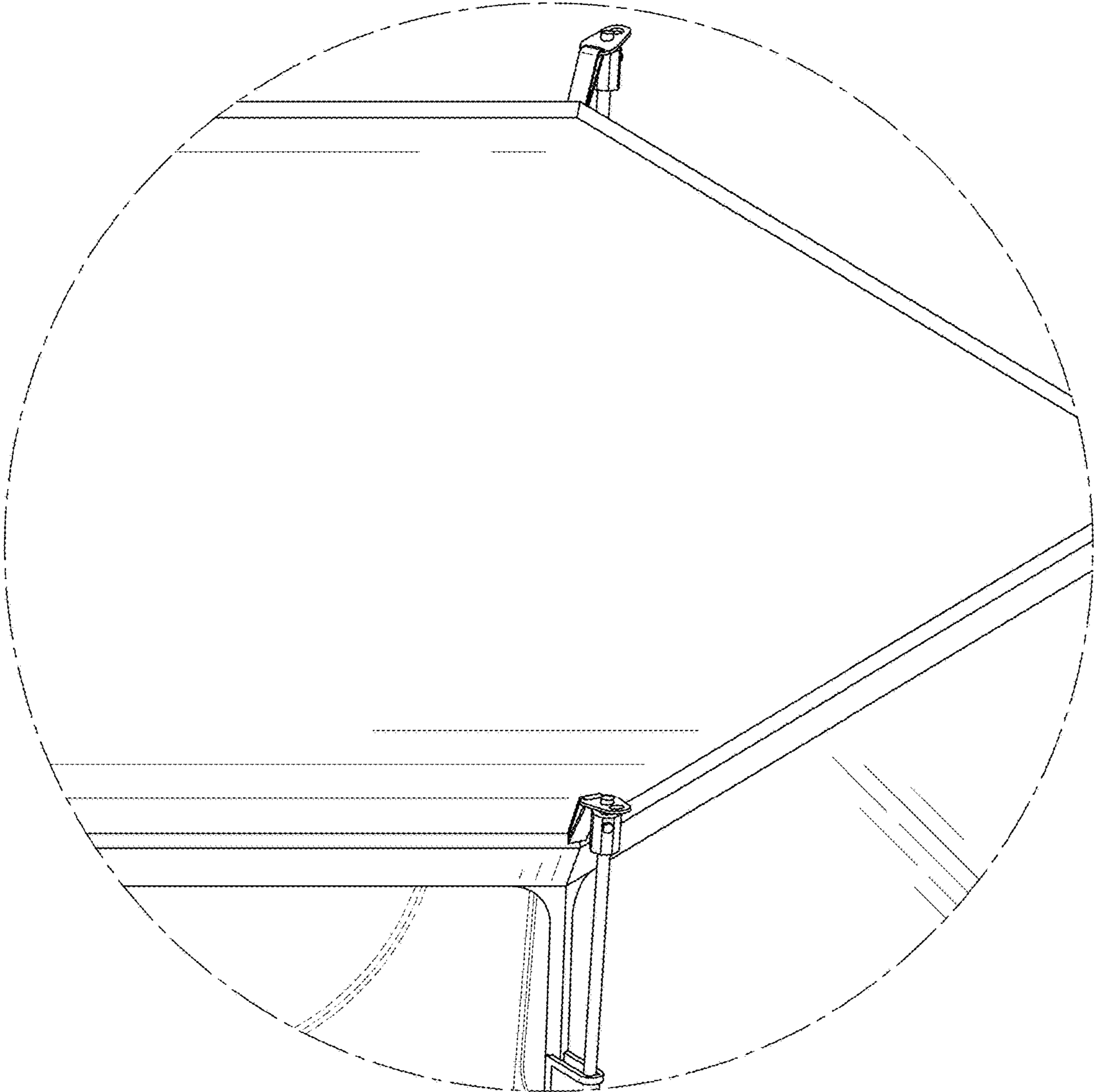


FIG. 12

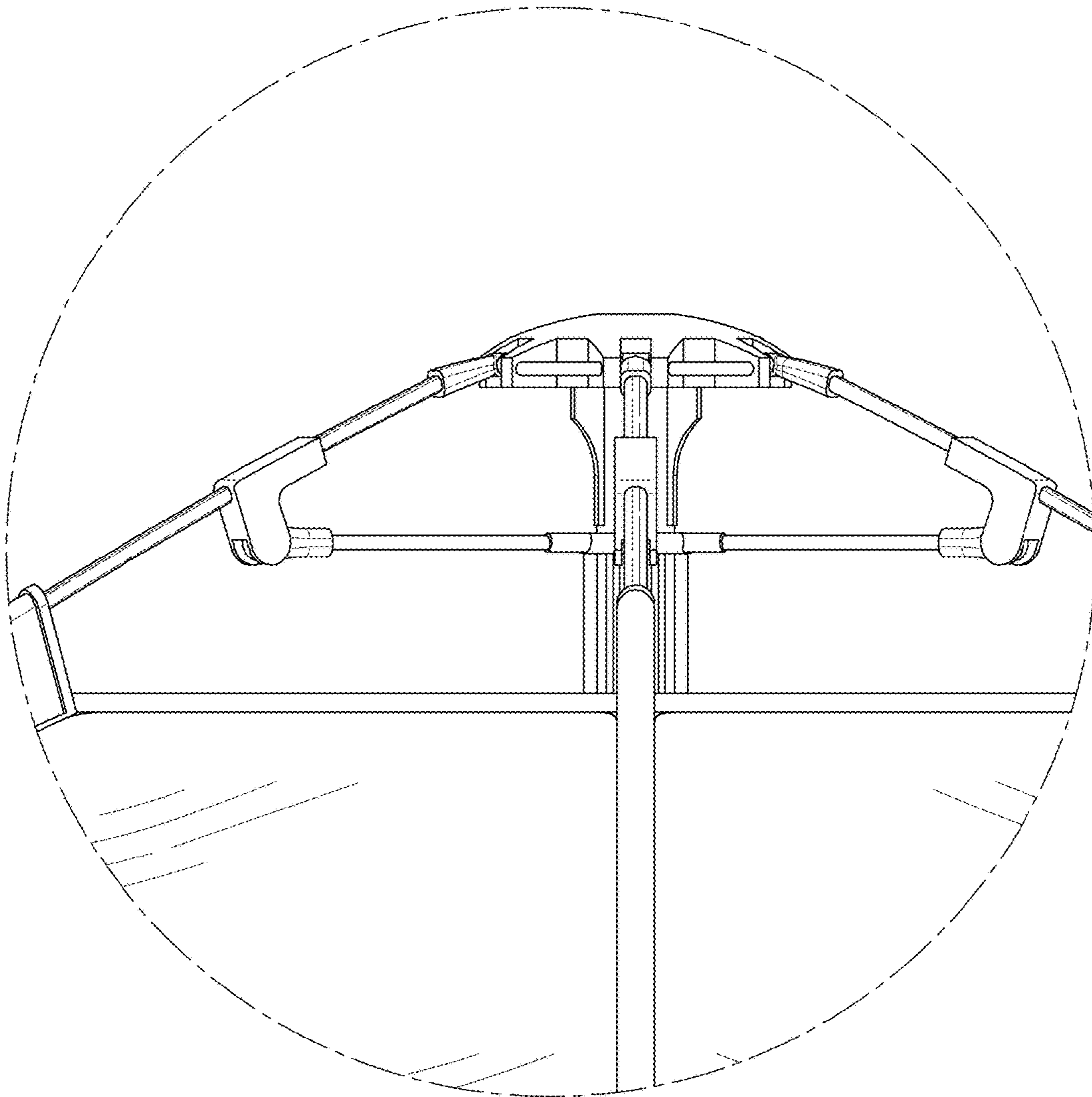


FIG. 13