

US00D864332S

(12) **United States Design Patent**
Lindberg

(10) **Patent No.:** **US D864,332 S**

(45) **Date of Patent:** **** Oct. 22, 2019**

- (54) **AMUSEMENT APPARATUS**
- (71) Applicant: **KOMPAN A/S**, Odense SØ (DK)
- (72) Inventor: **Henrik Lindberg**, Odense SV (DK)
- (**) Term: **15 Years**
- (21) Appl. No.: **29/663,566**
- (22) Filed: **Sep. 17, 2018**

- D693,419 S * 11/2013 Tukker D21/818
- D723,127 S 2/2015 Green et al.
- D807,978 S 1/2018 Keller et al.
- D831,146 S 10/2018 Lindberg
- D832,964 S * 11/2018 Keller D21/814
- D832,965 S * 11/2018 Keller D21/818

* cited by examiner

Primary Examiner — Zenia I Bennett
(74) *Attorney, Agent, or Firm* — Polson Intellectual Property Law, PC; Margaret Polson

Related U.S. Application Data

- (62) Division of application No. 35/502,581, filed on Sep. 8, 2016 (U.S. filing date under 35 U.S.C. 384), and having an international filing date of Sep. 8, 2016, now Pat. No. Des. 831,146.
- (51) **LOC (12) Cl.** **21-01**
- (52) **U.S. Cl.**
USPC **D21/814**
- (58) **Field of Classification Search**
USPC D21/811, 814–822, 826, 827
CPC A63G 21/00–12/22
See application file for complete search history.

References Cited

U.S. PATENT DOCUMENTS

- D382,618 S 8/1997 Gift
- D397,188 S 8/1998 Bro et al.
- D403,392 S 12/1998 Briggs et al.
- D438,928 S 3/2001 Yates et al.
- D587,776 S 3/2009 Robertson
- D627,848 S 11/2010 Cline

(57) **CLAIM**

The ornamental design for an amusement apparatus, as shown and described.

DESCRIPTION

FIG. 1 is a top, left side isometric view of our new design for an amusement apparatus.
 FIG. 2 is a top right isometric view of FIG. 1.
 FIG. 3 is a left side elevation view of FIG. 1.
 FIG. 4 is a back side elevation view of FIG. 1.
 FIG. 5 is a right side elevation view of FIG. 1.
 FIG. 6 is a front side elevation view of FIG. 1; and,
 FIG. 7 is a top plan view of FIG. 1.
 Contour is shown with line shading; no difference in color, texture or material is claimed unless expressly noted. The line shading represents contour, not surface decoration. The features shown in broken lines in the drawing depict environmental subject matter only, and form no part of the claimed design.

1 Claim, 7 Drawing Sheets

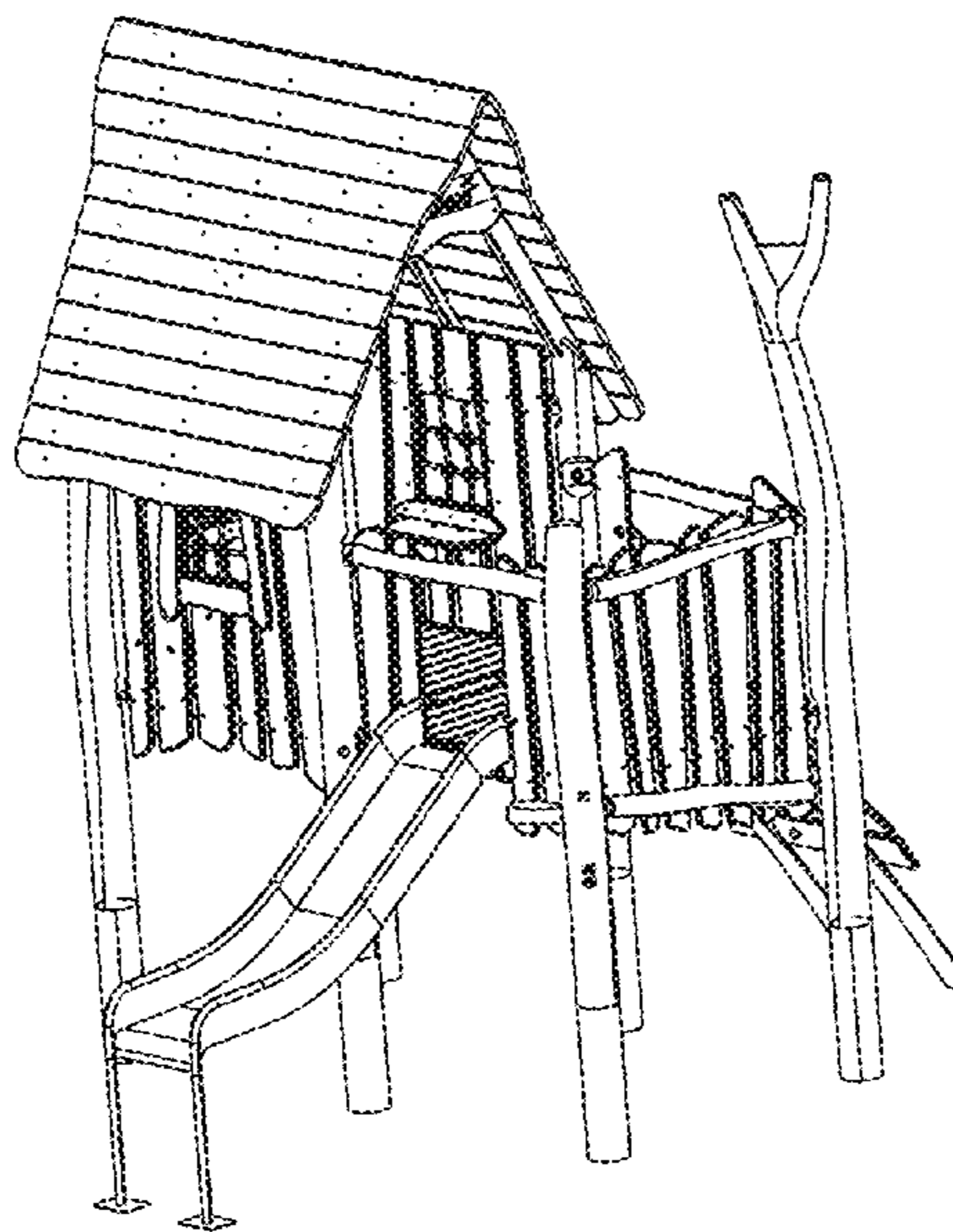


Fig.1

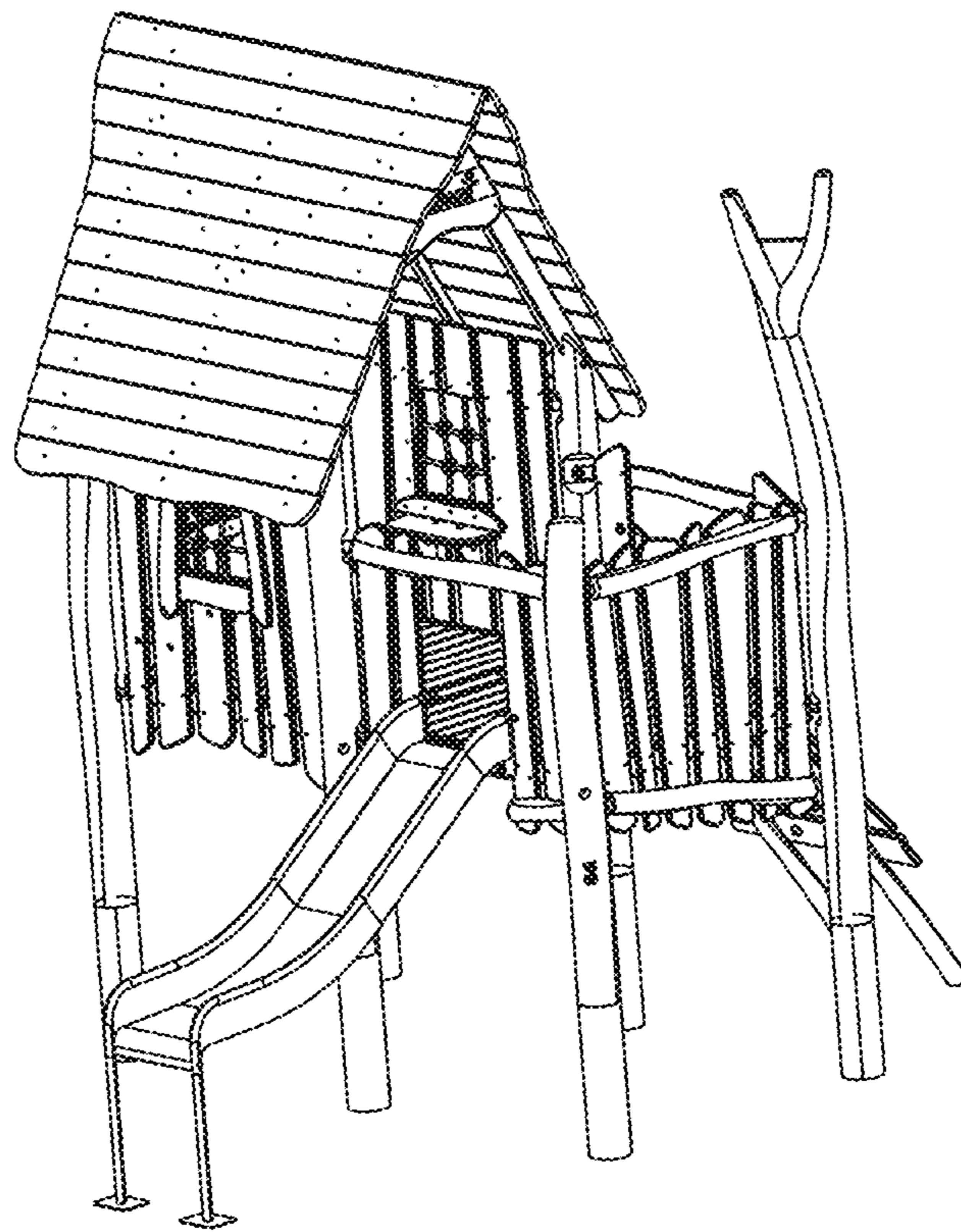


Fig.2

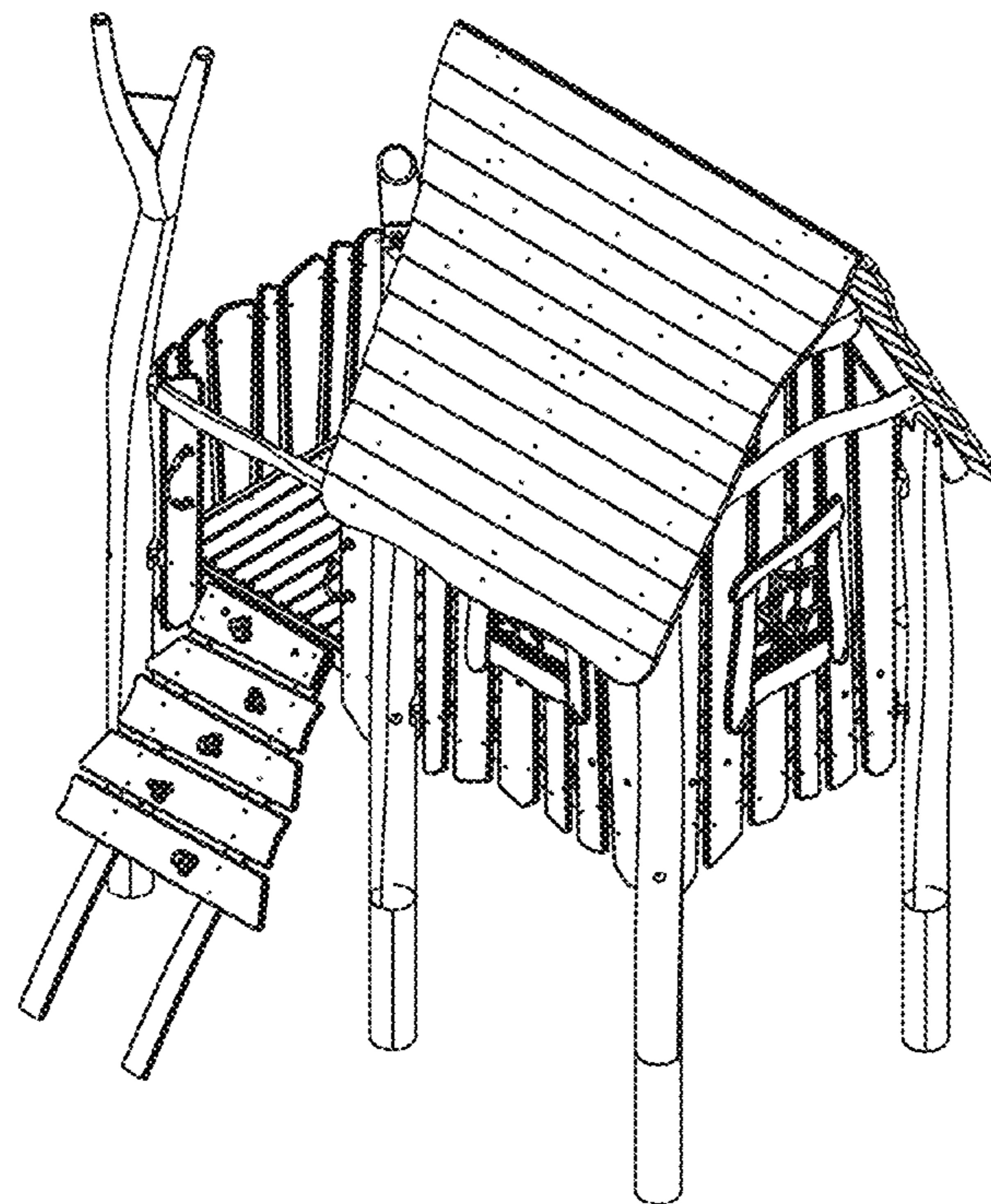


Fig.3

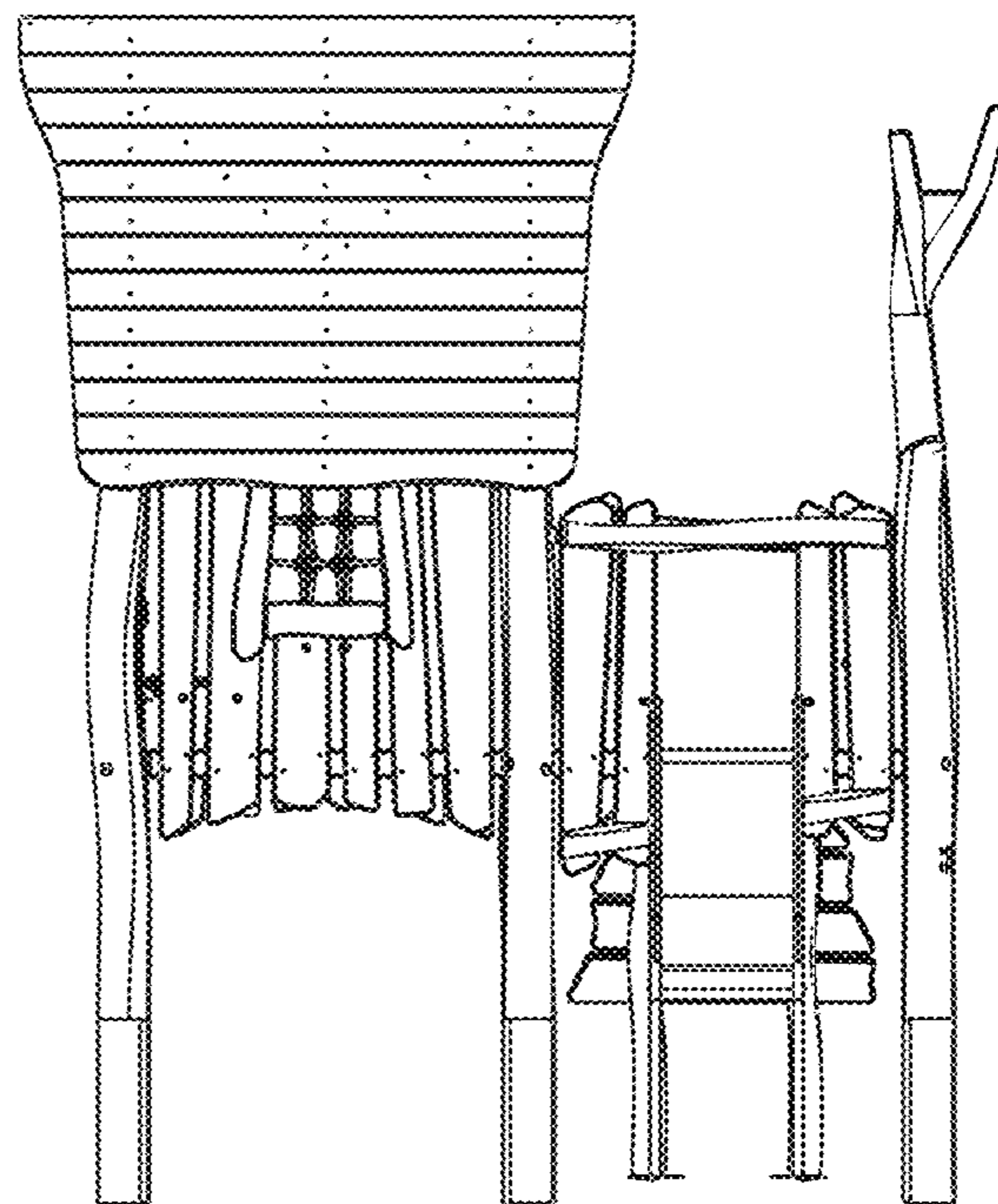


Fig.4

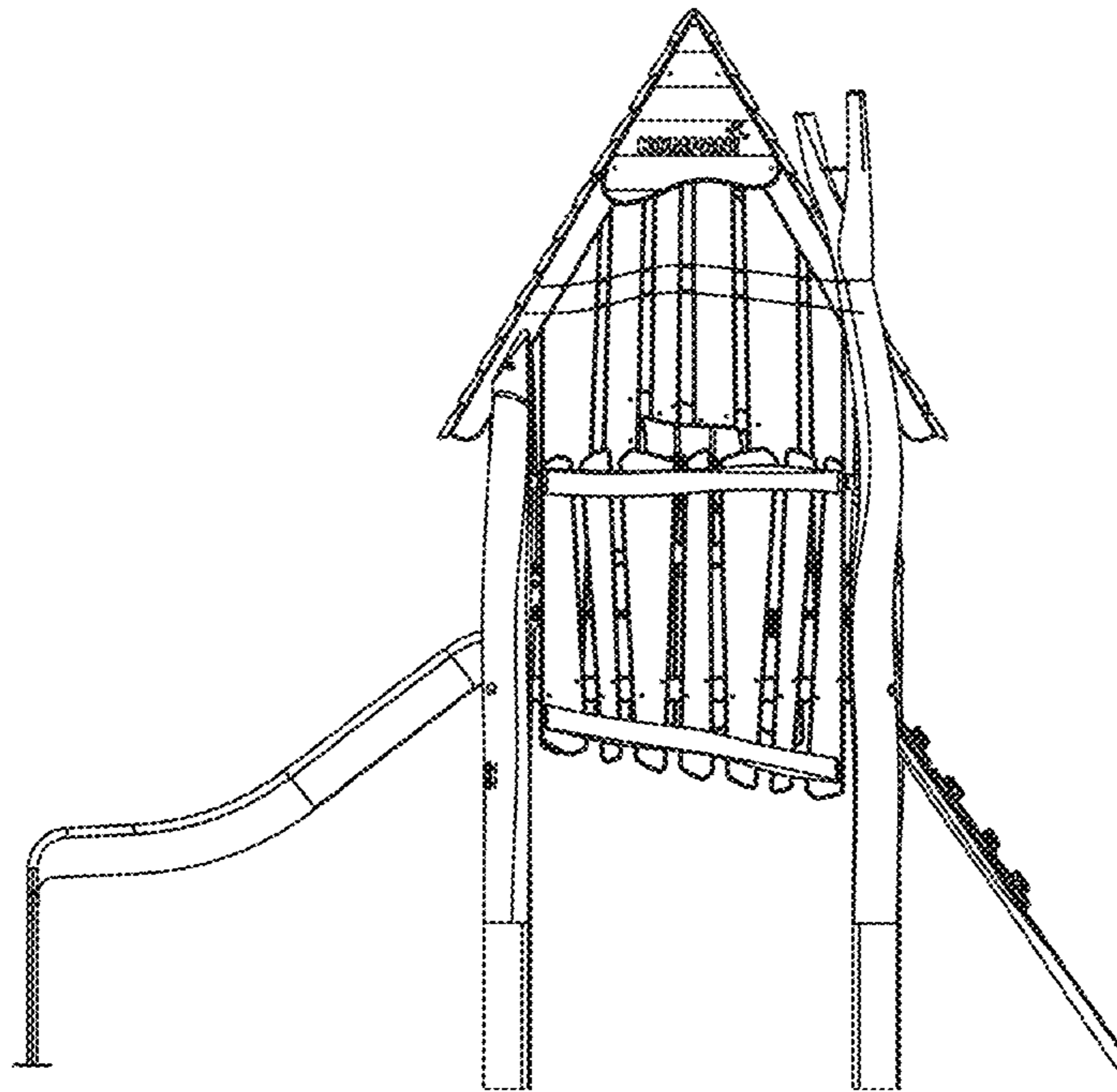


Fig.5

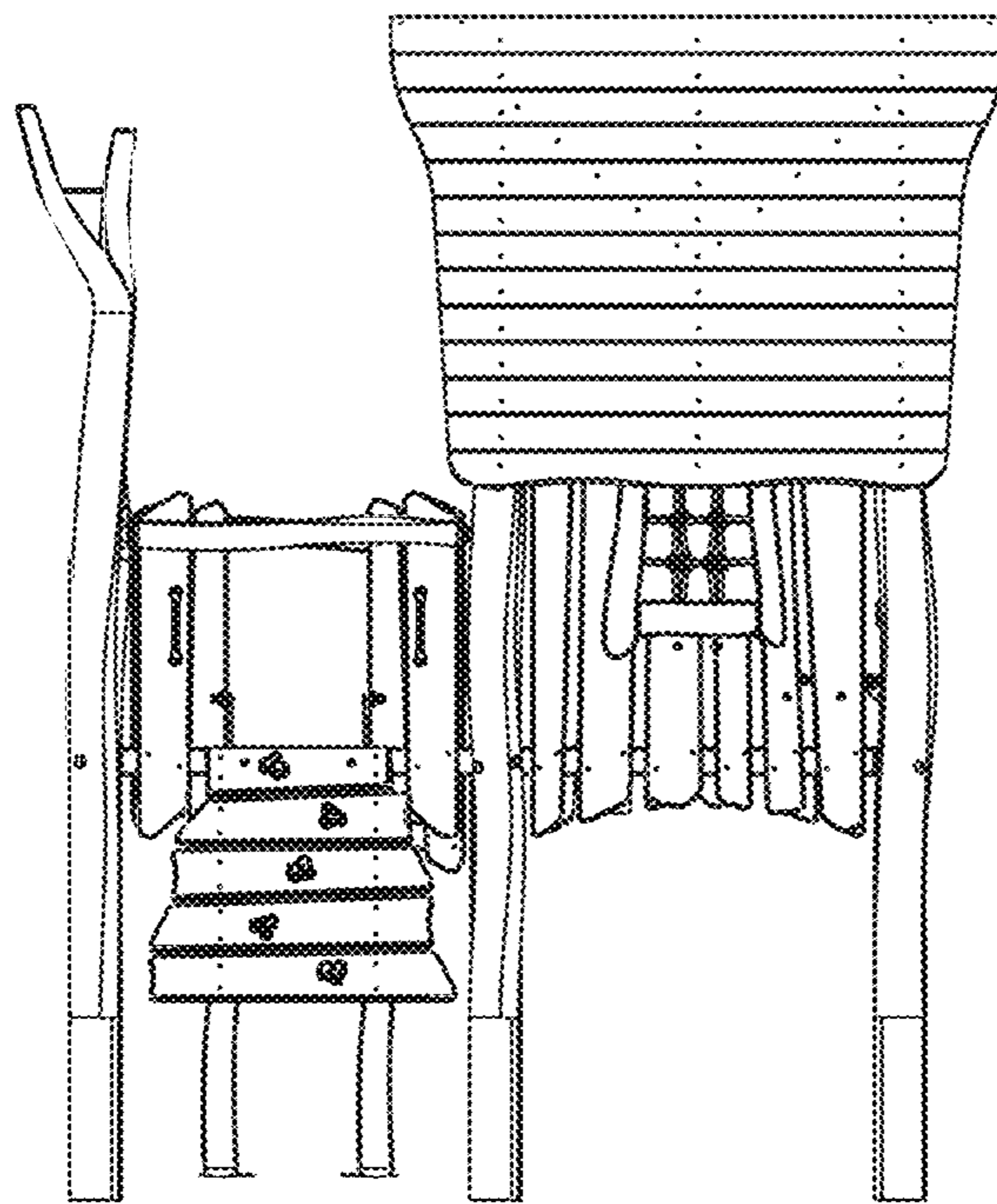


Fig.6

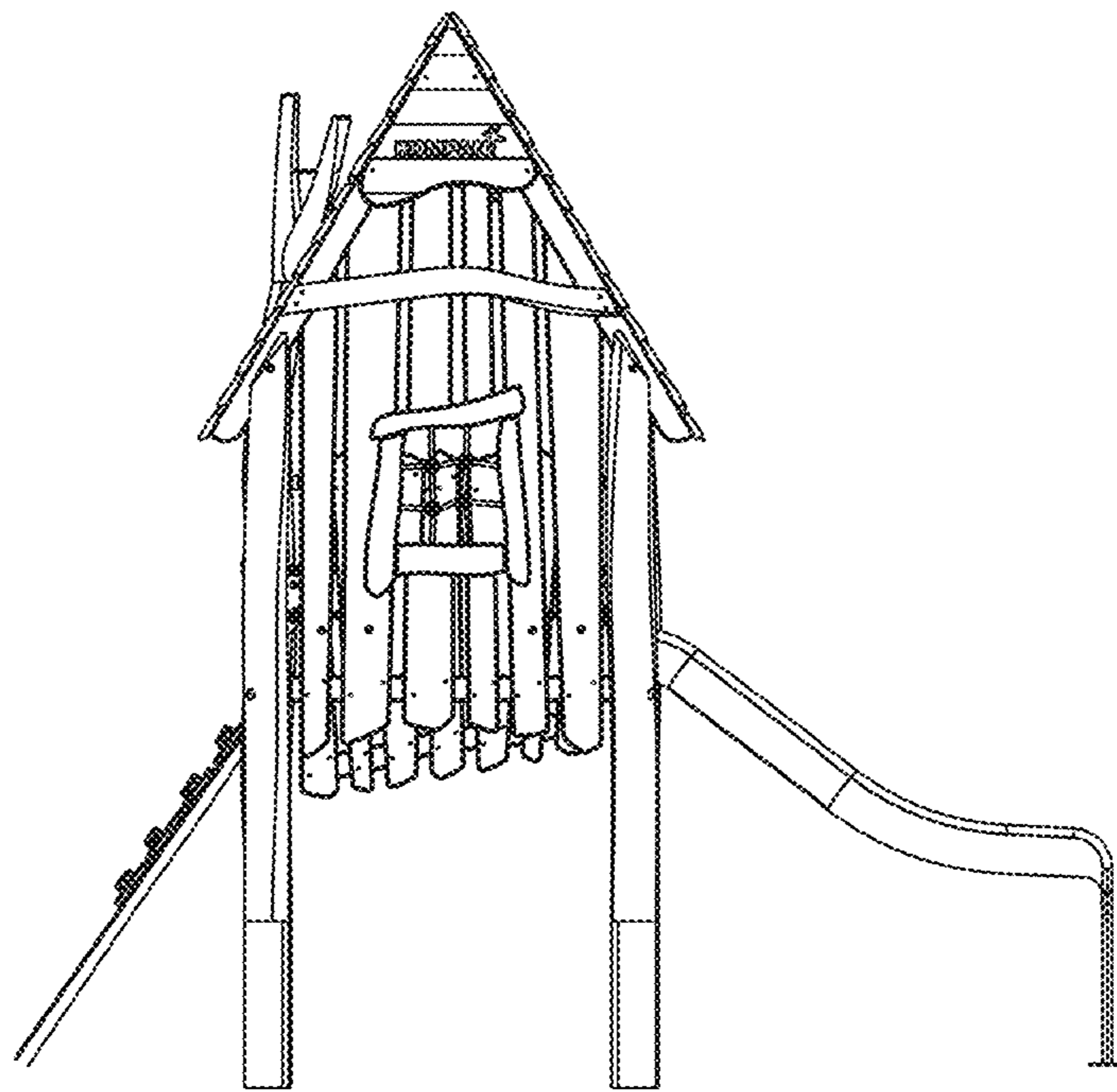


Fig.7

