



US00D864324S

(12) **United States Design Patent** (10) **Patent No.:** **US D864,324 S**
Kranicki (45) **Date of Patent:** **** Oct. 22, 2019**

- (54) **CUE FOR BILLIARDS AND OTHER CUE SPORTS**
- (71) Applicant: **Richard J. Kranicki**, Philadelphia, PA (US)
- (72) Inventor: **Richard J. Kranicki**, Philadelphia, PA (US)
- (**) Term: **15 Years**
- (21) Appl. No.: **29/638,925**
- (22) Filed: **Mar. 1, 2018**
- (51) **LOC (12) Cl.** **21-02**
- (52) **U.S. Cl.**
USPC **D21/726**
- (58) **Field of Classification Search**
USPC D21/722, 726, 782
CPC A63D 15/08; A63D 15/083; A63D 15/086; A63D 15/10; A63D 15/105; A63D 15/006; A63D 15/00
- See application file for complete search history.

(56) **References Cited**

U.S. PATENT DOCUMENTS

- 941,728 A * 11/1909 Preat A63D 15/08 473/44
- 3,389,911 A * 6/1968 Castiglione, Jr. A63D 15/006 33/263
- D253,419 S * 11/1979 Kuo D21/726
- 4,688,796 A * 8/1987 Wright A63D 15/08 362/102
- D320,058 S * 9/1991 Reyes D21/726
- D323,013 S * 1/1992 Golden D21/726
- D370,955 S * 6/1996 Fisher D21/726
- 5,704,842 A * 1/1998 Petrussek A63D 15/08 473/44
- 6,117,019 A * 9/2000 Taylor A63D 15/08 473/2
- D444,519 S * 7/2001 Bourque A63D 15/086 D21/726

- 6,402,628 B1 * 6/2002 Neil A63D 15/08 473/44
- 6,746,336 B1 * 6/2004 Brant A63D 15/08 473/44
- D507,611 S * 7/2005 Stoller D21/726
- D556,276 S * 11/2007 Stoller D21/726
- D560,734 S * 1/2008 Stoller D21/726
- D560,735 S * 1/2008 Stoller D21/726
- 7,335,111 B2 * 2/2008 Deakes A63D 15/08 473/44
- D569,468 S * 5/2008 Wynn D21/782
- D574,904 S * 8/2008 Belhaj D21/726
- (Continued)

OTHER PUBLICATIONS

Simpson, T., The Protrusion Pool Cue, PQB Newsletter, Jun./Jul. 2016, p. 23.

Primary Examiner — Mitchell I. Siegel

(74) *Attorney, Agent, or Firm* — Ference & Associates LLC; John W. Goldschmidt, Jr.

(57) **CLAIM**

The ornamental design for a cue for billiards and other cue sports, as shown and described.

DESCRIPTION

FIG. 1 is a top front perspective view of a cue for billiards and other cue sports showing the claimed design;

FIG. 2 is a top rear perspective view thereof;

FIG. 3 is a top view thereof;

FIG. 4 is a bottom view thereof;

FIG. 5 is a side elevational view thereof;

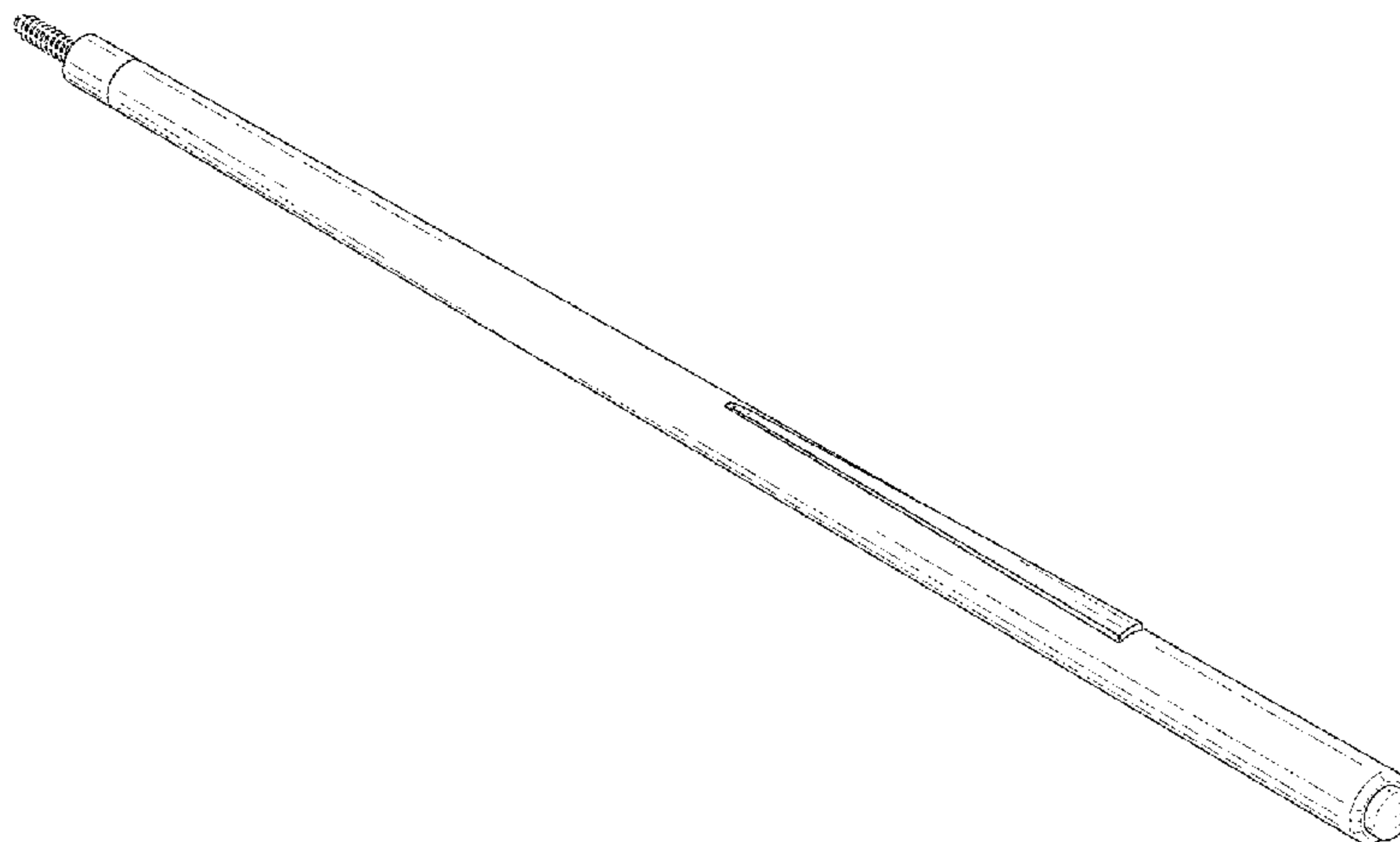
FIG. 6 is a side elevational view thereof of the side opposite to the elevational view of FIG. 5;

FIG. 7 is a front elevational view thereof; and,

FIG. 8 is a rear elevational view thereof.

The broken line showing in the drawings is included for the purpose of illustrating unclaimed subject matter and forms no part of the claimed design.

1 Claim, 5 Drawing Sheets



(56)

References Cited

U.S. PATENT DOCUMENTS

D574,905 S * 8/2008 Belhaj D21/726
D583,430 S * 12/2008 Belhaj D21/726
7,740,543 B2 * 6/2010 Johne A63D 15/083
473/45
9,044,666 B2 * 6/2015 Cameron A63D 15/006

* cited by examiner

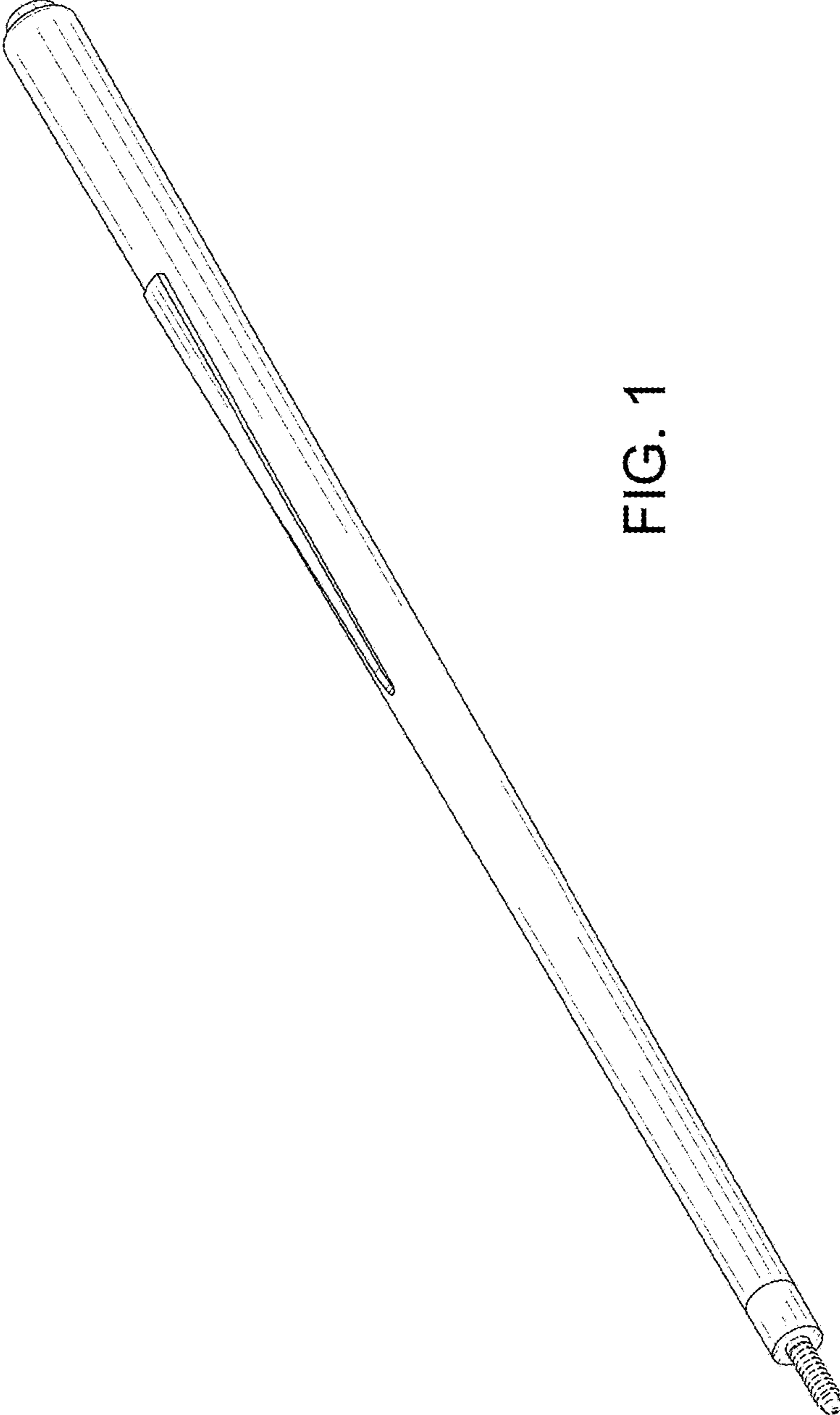


FIG. 1

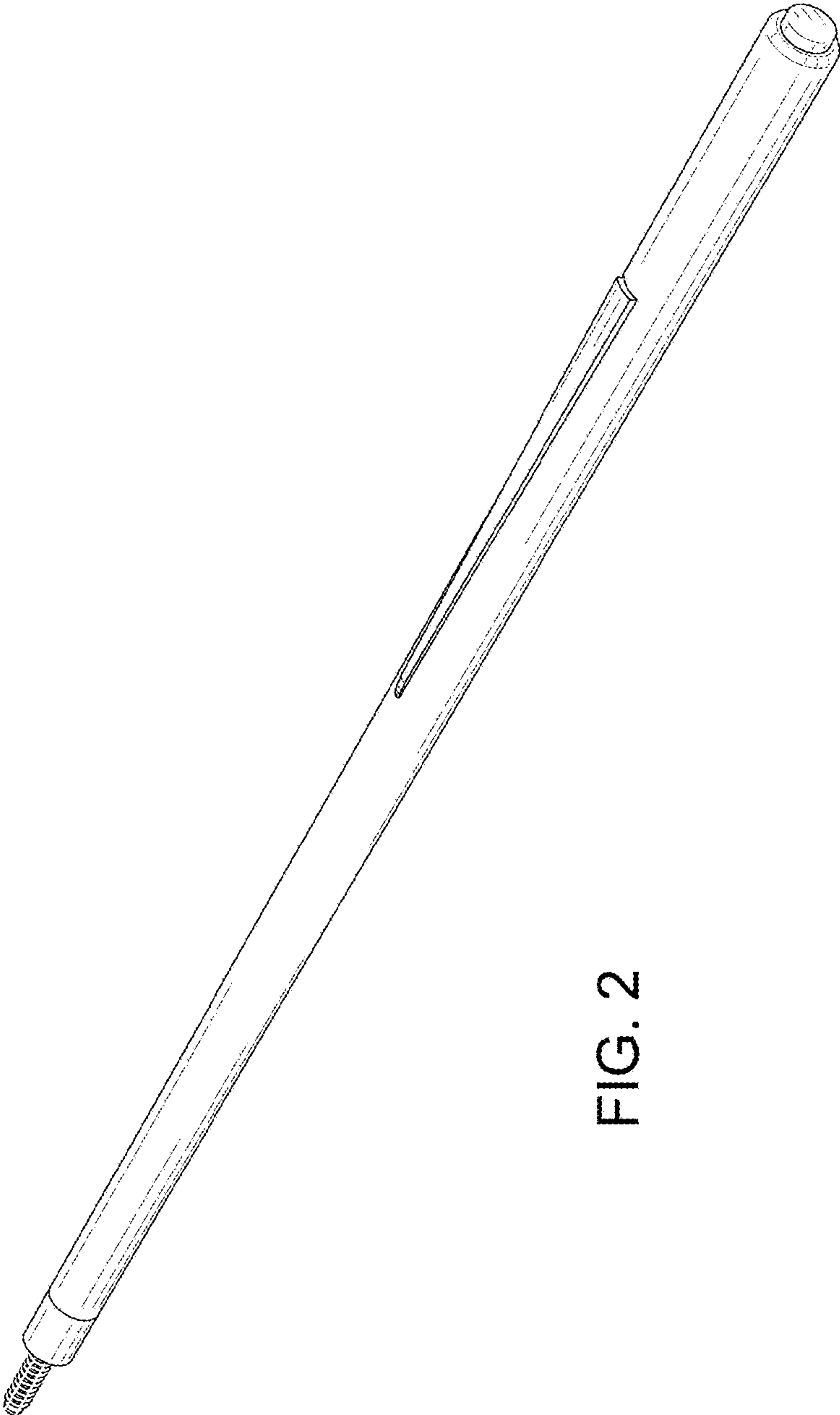


FIG. 2

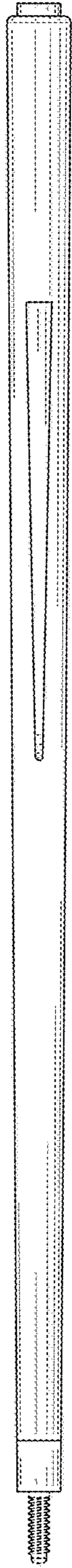


FIG. 3



FIG. 4



FIG. 5

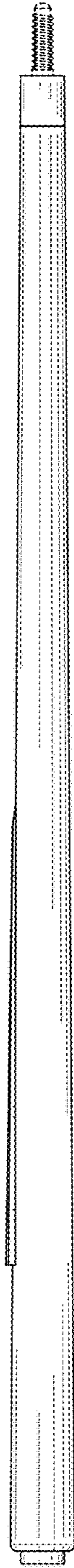


FIG. 6

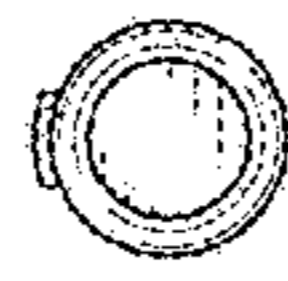


FIG. 8

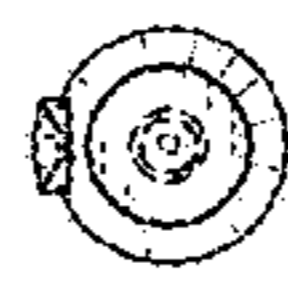


FIG. 7