



US00D864321S

(12) **United States Design Patent** (10) **Patent No.:** **US D864,321 S**  
**Weston** (45) **Date of Patent:** **\*\* Oct. 22, 2019**

(54) **CONSOLE**  
(71) Applicant: **ICON Health & Fitness, Inc.**, Logan, UT (US)  
(72) Inventor: **Jared Weston**, Providence, UT (US)  
(73) Assignee: **ICON Health & Fitness, Inc.**, Logan, UT (US)

D663,367 S \* 7/2012 Olason ..... D21/696  
D682,372 S \* 5/2013 Alessandri ..... D21/669  
D707,763 S \* 6/2014 Cutler ..... D21/669  
8,801,578 B2 \* 8/2014 Corbalis ..... A63B 71/0622  
482/1  
8,986,165 B2 \* 3/2015 Ashby ..... A63B 24/0087  
482/1

(Continued)

(\*\*) Term: **15 Years**

(21) Appl. No.: **29/564,067**

(22) Filed: **May 10, 2016**

(51) **LOC (12) Cl.** ..... **21-02**

(52) **U.S. Cl.**  
USPC ..... **D21/696**

(58) **Field of Classification Search**  
USPC ..... D21/662, 668, 669, 677, 694, 696  
CPC ..... A63B 71/0622; Y10S 482/902; Y10S  
482/909

See application file for complete search history.

(56) **References Cited**

**U.S. PATENT DOCUMENTS**

5,085,427 A \* 2/1992 Finn ..... A63B 24/00  
248/441.1  
D407,771 S \* 4/1999 Garza ..... D21/694  
D416,596 S \* 11/1999 Armstrong ..... D21/694  
6,878,099 B2 \* 4/2005 Corbalis ..... A63B 22/02  
482/54  
D531,683 S \* 11/2006 Choi ..... D21/696  
D557,359 S \* 12/2007 Olason ..... D21/694  
D557,360 S \* 12/2007 Olason ..... D21/696  
D567,315 S \* 4/2008 Horita ..... D21/694  
D585,506 S \* 1/2009 Olason ..... D21/696  
D589,098 S \* 3/2009 Horita ..... D21/696  
D591,368 S \* 4/2009 Olason ..... D21/696  
7,713,172 B2 \* 5/2010 Watterson ..... A63B 22/0242  
482/4  
D624,975 S \* 10/2010 Flick ..... D21/669  
D651,264 S \* 12/2011 Olason ..... D21/696

**OTHER PUBLICATIONS**

“ProForm Pro 2000 Treadmill” [online]. ProForm. [Earliest product review date of Dec. 31, 2016]. Retrieved from the Internet: <<https://www.amazon.com/ProForm-2000-Treadmill-2016-Model/dp/B01LRCBWAQ>>.\*

(Continued)

*Primary Examiner* — Khawaja Anwar  
*Assistant Examiner* — Mojtaba Tehrani  
(74) *Attorney, Agent, or Firm* — Ray Quinney & Nebeker

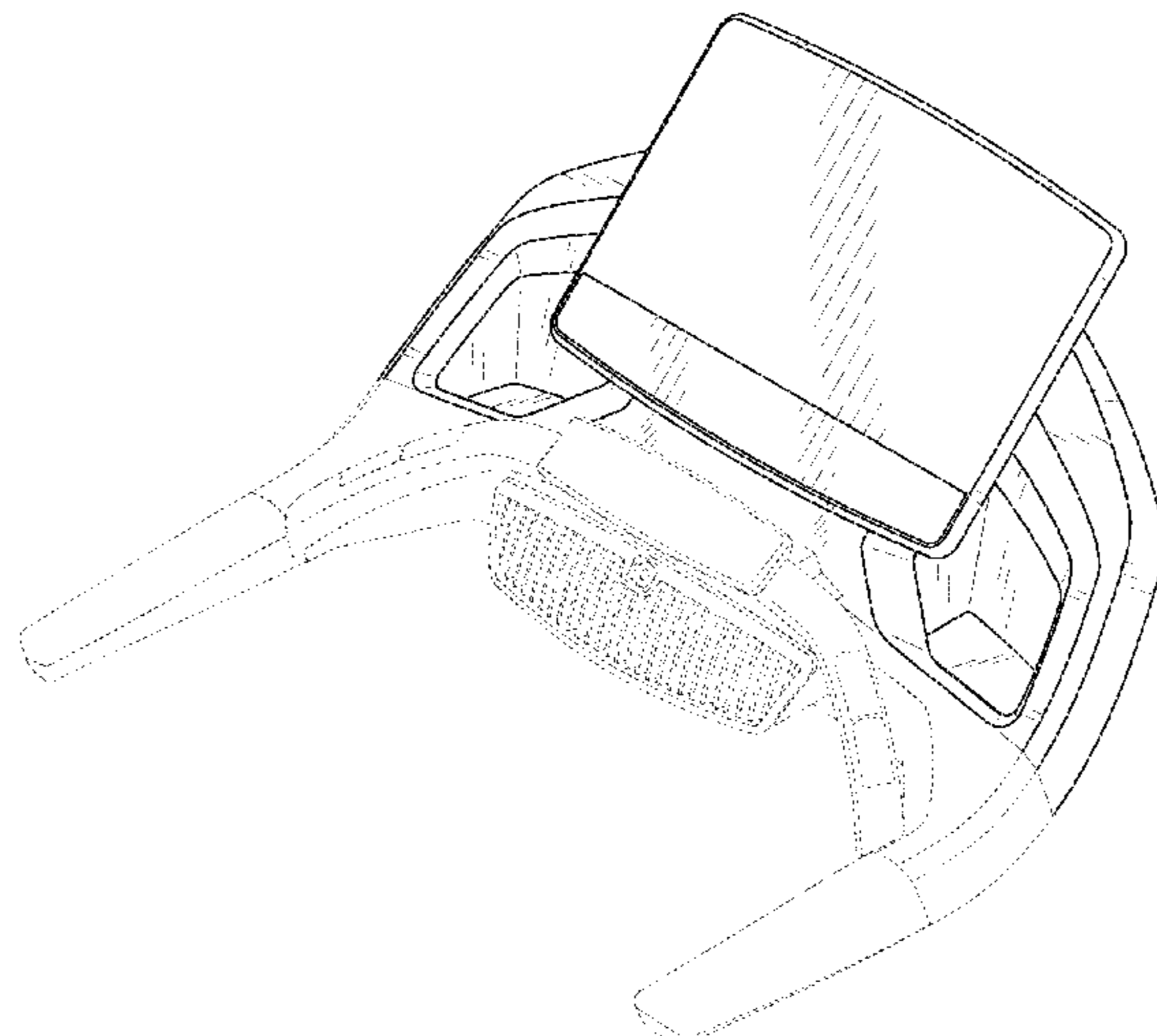
(57) **CLAIM**

The ornamental design for a console, as shown and described.

**DESCRIPTION**

FIG. 1 is a perspective view of a console of the present invention;  
FIG. 2 is a front end view thereof;  
FIG. 3 is a rear end view thereof;  
FIG. 4 is a left side view thereof;  
FIG. 5 is a right side view thereof;  
FIG. 6 is a top plan view thereof; and,  
FIG. 7 is a bottom plan view thereof.  
The evenly broken lines in the drawings depict unclaimed portions of the console only, and form no part of the claimed design. The dash-dot broken lines in the drawings depict boundaries of the claim and form no part of the claimed design.

**1 Claim, 5 Drawing Sheets**



(56)

**References Cited**

U.S. PATENT DOCUMENTS

9,186,549 B2 \* 11/2015 Watterson ..... A63B 24/0062  
9,352,186 B2 \* 5/2016 Watterson ..... A63B 22/02  
9,403,051 B2 \* 8/2016 Cutler ..... A63B 22/02  
9,480,874 B2 \* 11/2016 Cutler ..... A63B 22/0046  
9,579,544 B2 \* 2/2017 Watterson ..... A63B 24/0087  
9,782,625 B1 \* 10/2017 Blum ..... A63B 24/0087  
D826,350 S \* 8/2018 Hochstrasser ..... D21/694  
2007/0015635 A1 \* 1/2007 Donner ..... A63B 22/02  
482/54  
2009/0036272 A1 \* 2/2009 Yoo ..... A63B 22/0257  
482/7  
2014/0121066 A1 \* 5/2014 Huang ..... A63B 22/02  
482/54

OTHER PUBLICATIONS

“Exercise At Home On The New ProForm Pro 2000 Treadmill”  
[online]. ProForm. [Published on Nov. 11, 2016]. Retrieved from  
the Internet: <<https://www.youtube.com/watch?v=p0Ys74GUgtk>>.\*

\* cited by examiner

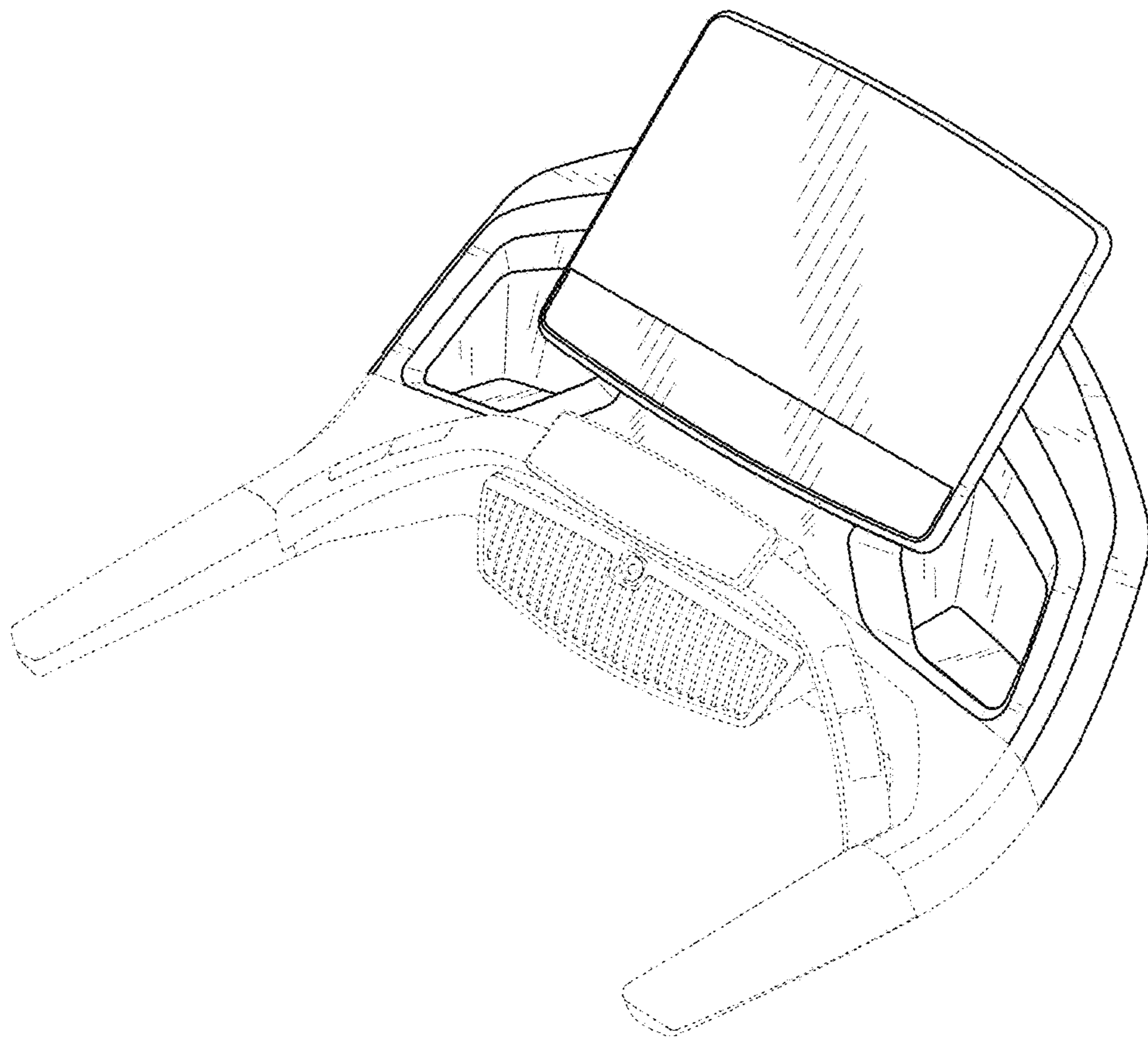


FIG. 1

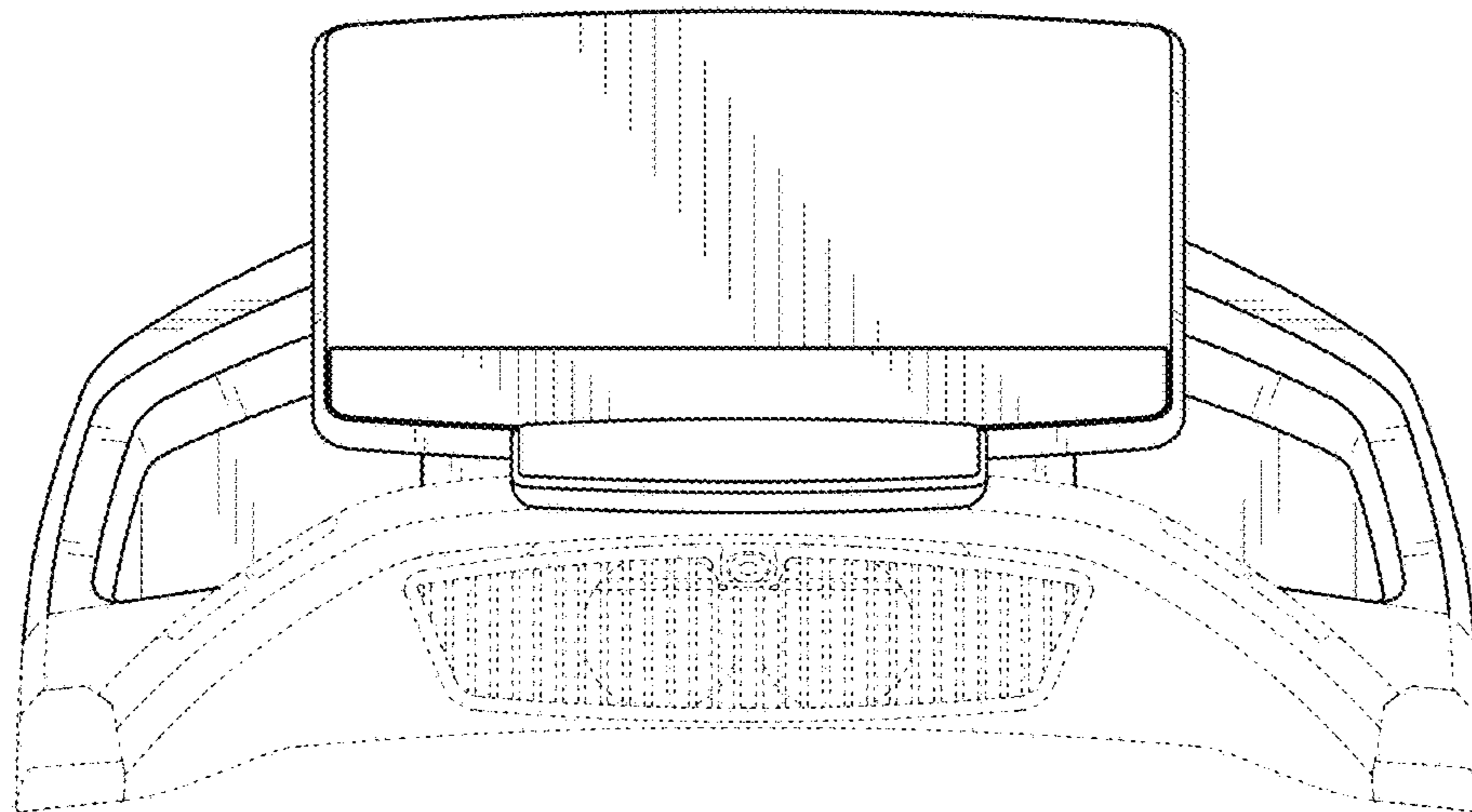


FIG. 2

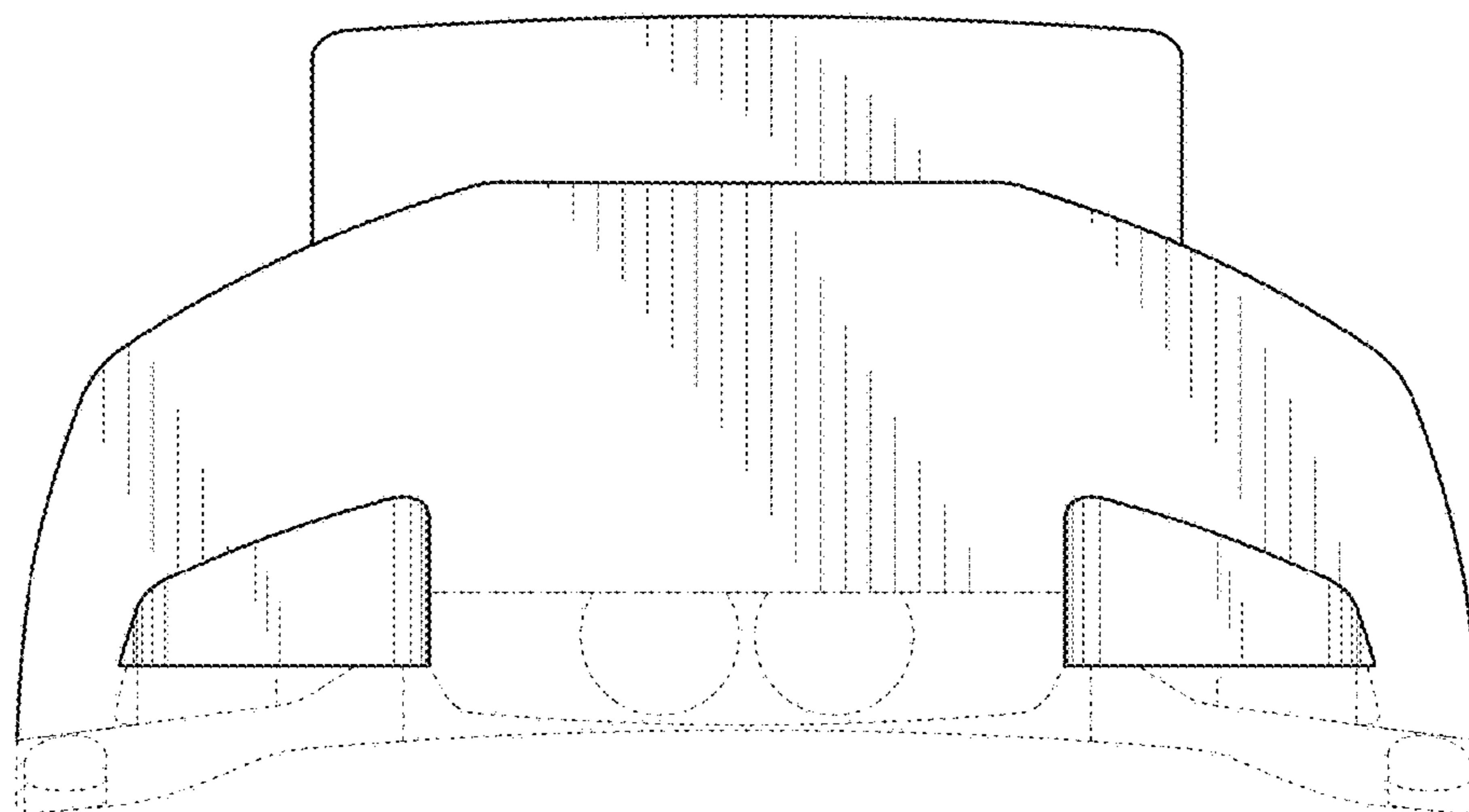


FIG. 3

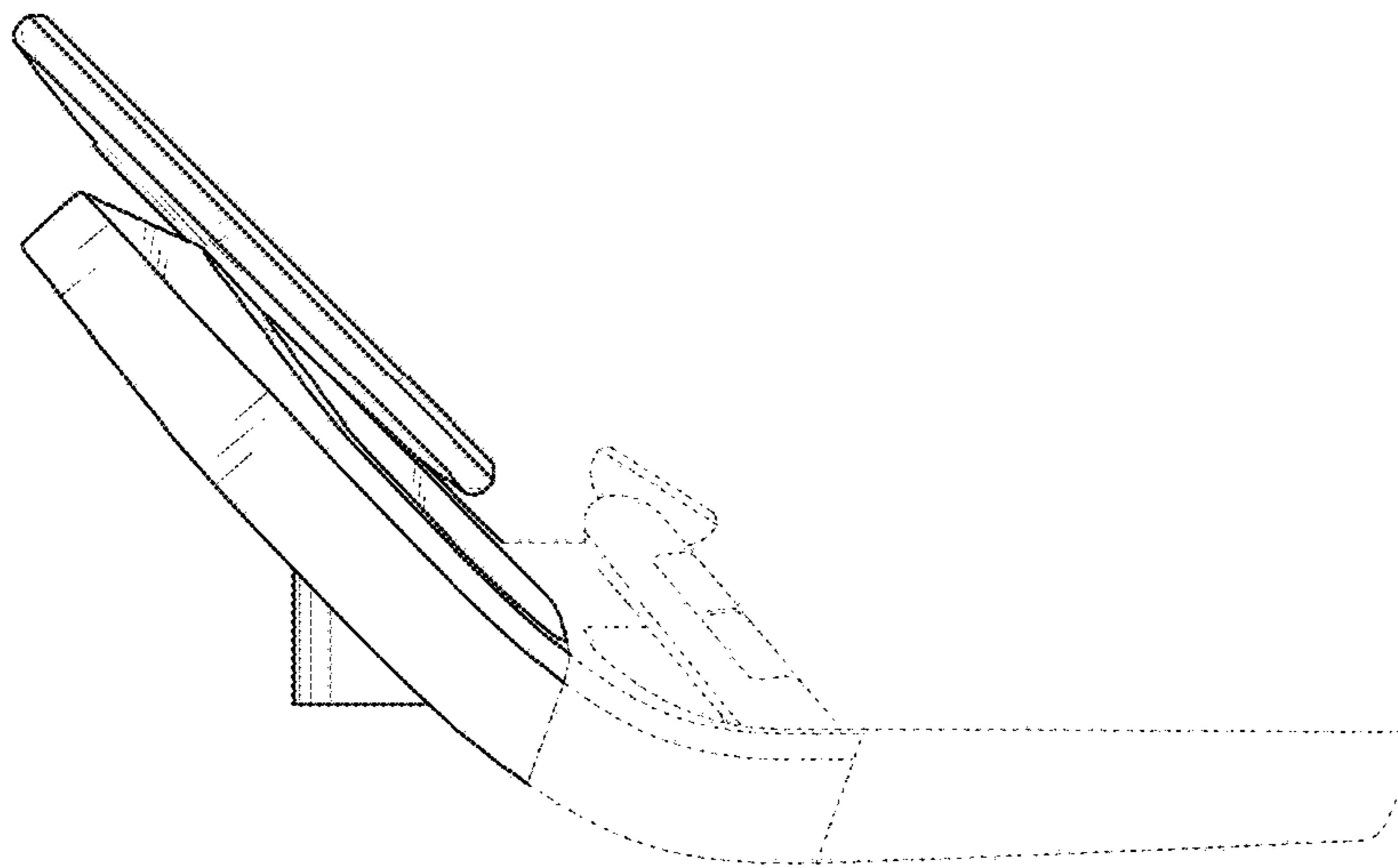


FIG. 4

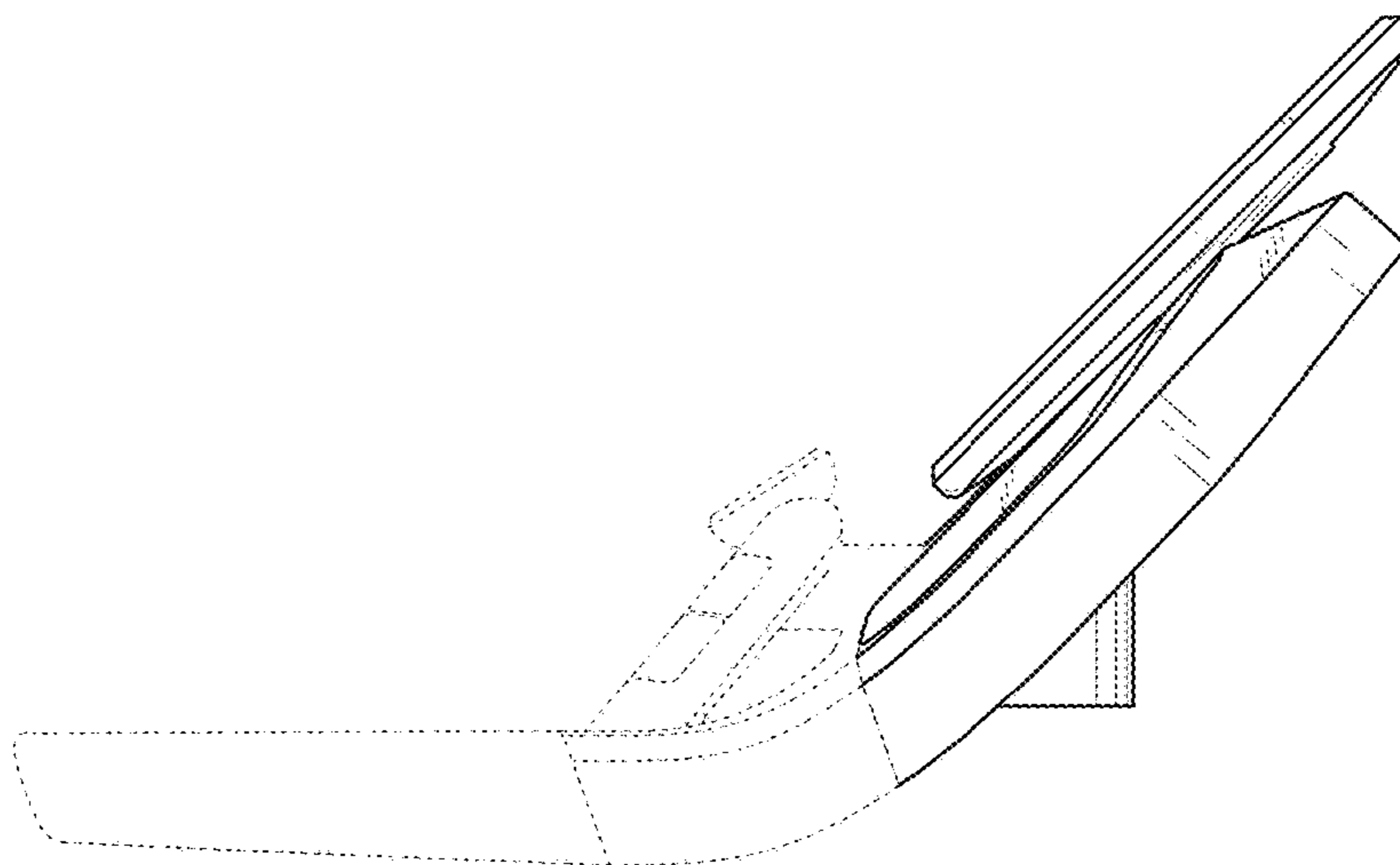


FIG. 5

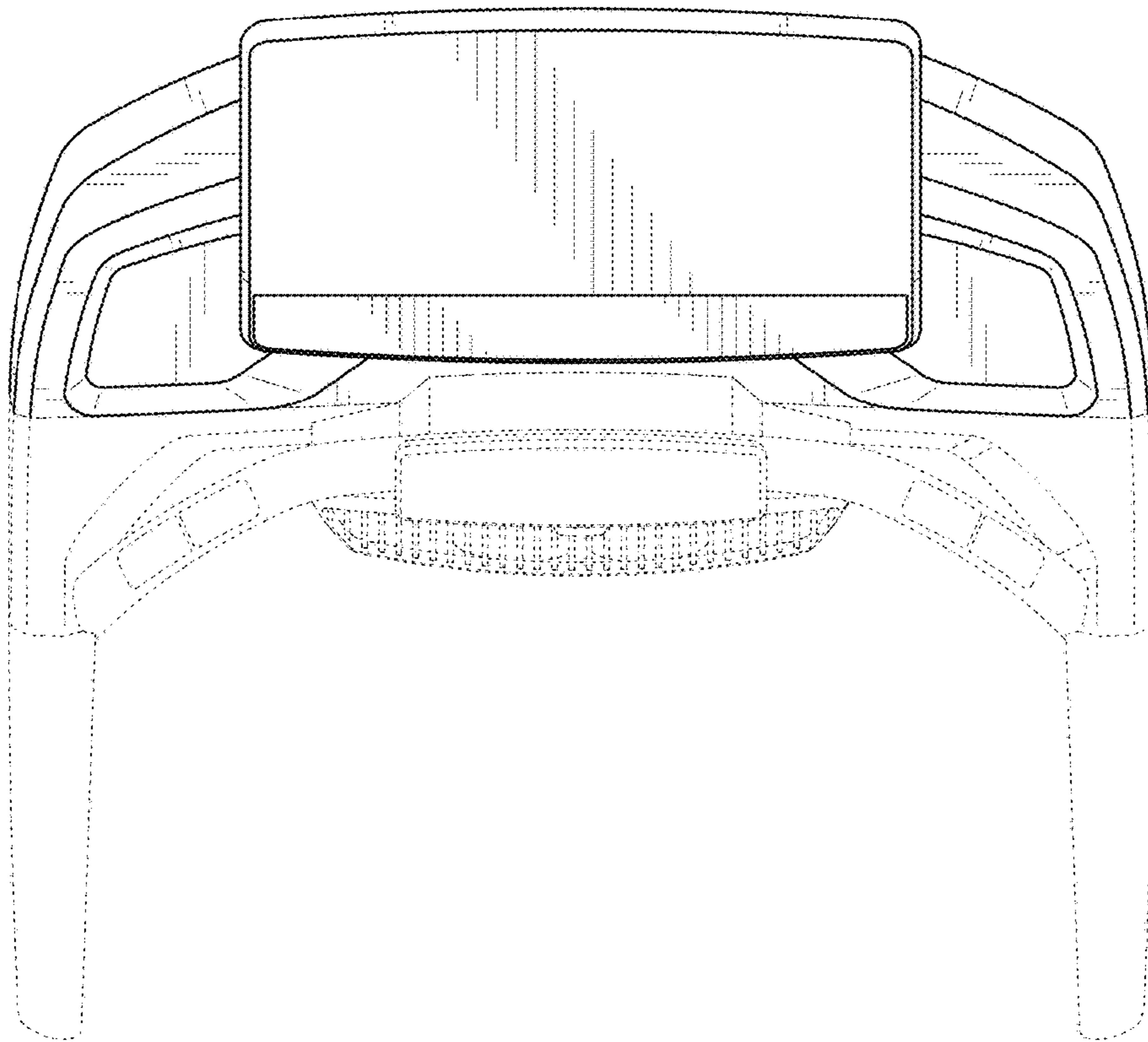


FIG. 6

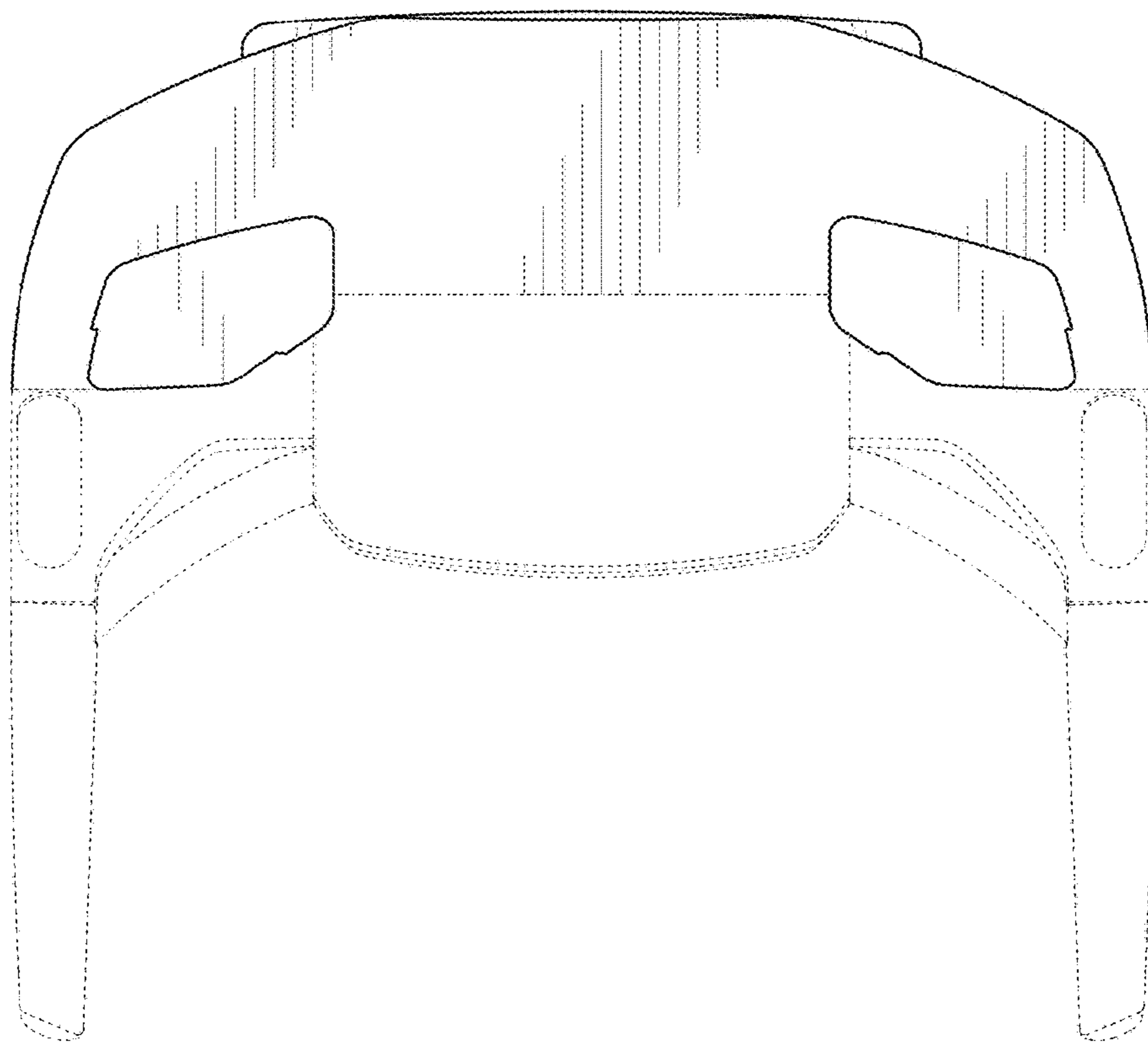


FIG. 7