



US00D864320S

(12) **United States Design Patent** (10) **Patent No.:** **US D864,320 S**
Weston (45) **Date of Patent:** **** Oct. 22, 2019**

(54) **CONSOLE FOR EXERCISE EQUIPMENT**

(71) Applicant: **ICON Health & Fitness, Inc.**, Logan, UT (US)

(72) Inventor: **Jared Weston**, Providence, UT (US)

(73) Assignee: **ICON Health & Fitness, Inc.**, Logan, UT (US)

(**) Term: **15 Years**

(21) Appl. No.: **29/564,060**

(22) Filed: **May 10, 2016**

(51) **LOC (12) Cl.** **21-02**

(52) **U.S. Cl.**
USPC **D21/696**

(58) **Field of Classification Search**
USPC D21/662, 668, 669, 677, 694, 696
CPC A63B 71/0622; Y10S 482/902; Y10S 482/909

See application file for complete search history.

(56) **References Cited**

U.S. PATENT DOCUMENTS

5,085,427	A *	2/1992	Finn	A63B 24/00 248/441.1
D407,771	S *	4/1999	Garza	D21/694
D416,596	S *	11/1999	Armstrong	D21/694
6,878,099	B2 *	4/2005	Corbalis	A63B 22/02 482/54
D531,683	S *	11/2006	Choi	D21/696
D557,359	S *	12/2007	Olason	D21/694
D557,360	S *	12/2007	Olason	D21/696
D567,315	S *	4/2008	Horita	D21/694
D585,506	S *	1/2009	Olason	D21/696
D589,098	S *	3/2009	Horita	D21/696
D591,368	S *	4/2009	Olason	D21/696
7,713,172	B2 *	5/2010	Watterson	A63B 22/0242 482/4
D624,975	S *	10/2010	Flick	D21/669
D651,264	S *	12/2011	Olason	D21/696

(Continued)

OTHER PUBLICATIONS

“ProForm Pro 2000 Treadmill” [online]. ProForm. [Earliest product review date of Dec. 31, 2016]. Retrieved from the Internet: <<https://www.amazon.com/ProForm-2000-Treadmill-2016-Model/dp/B01LRCBWAQ>>.*

(Continued)

Primary Examiner — Khawaja Anwar

Assistant Examiner — Mojtaba Tehrani

(74) *Attorney, Agent, or Firm* — Ray Quinney & Nebeker

(57) **CLAIM**

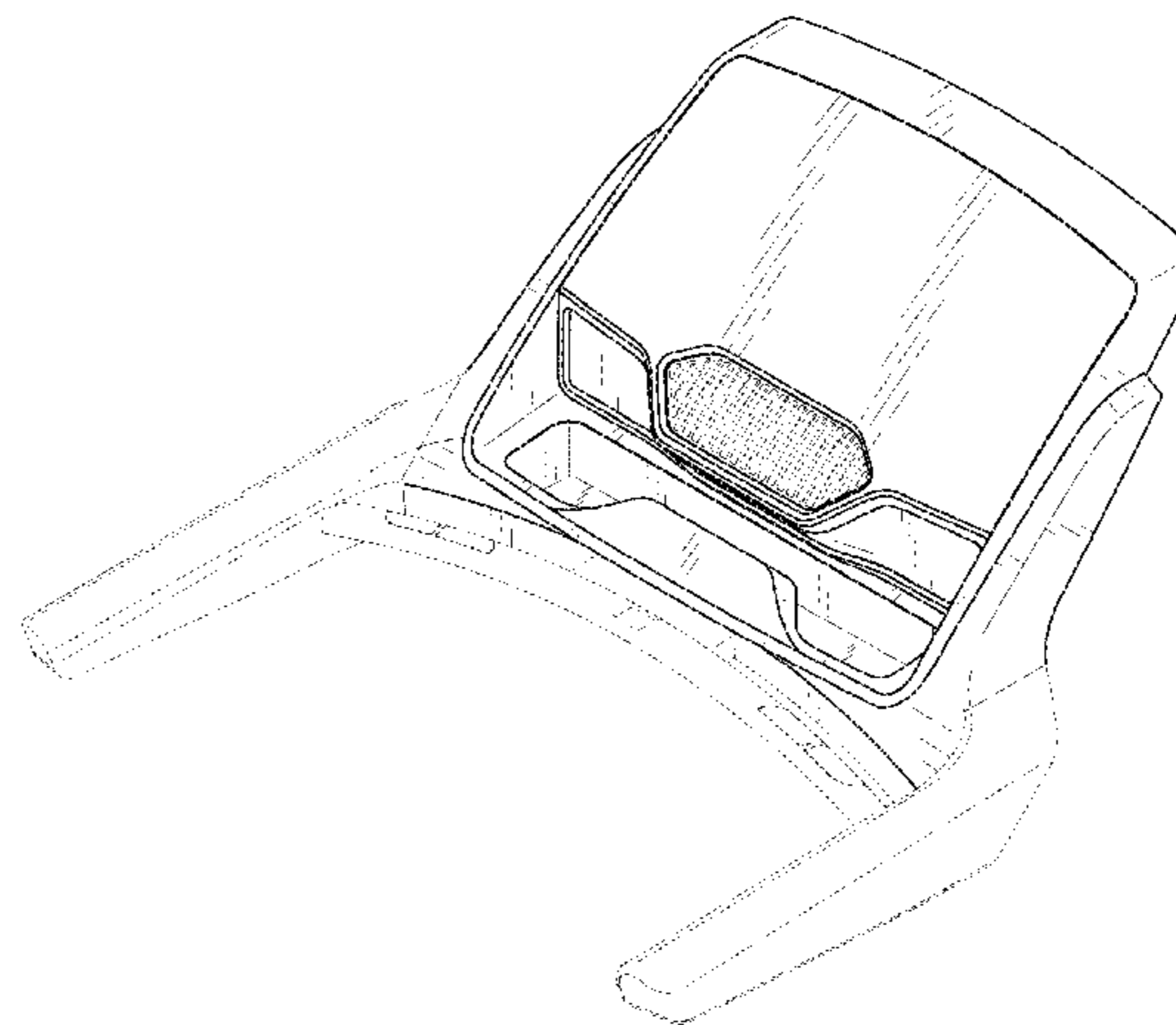
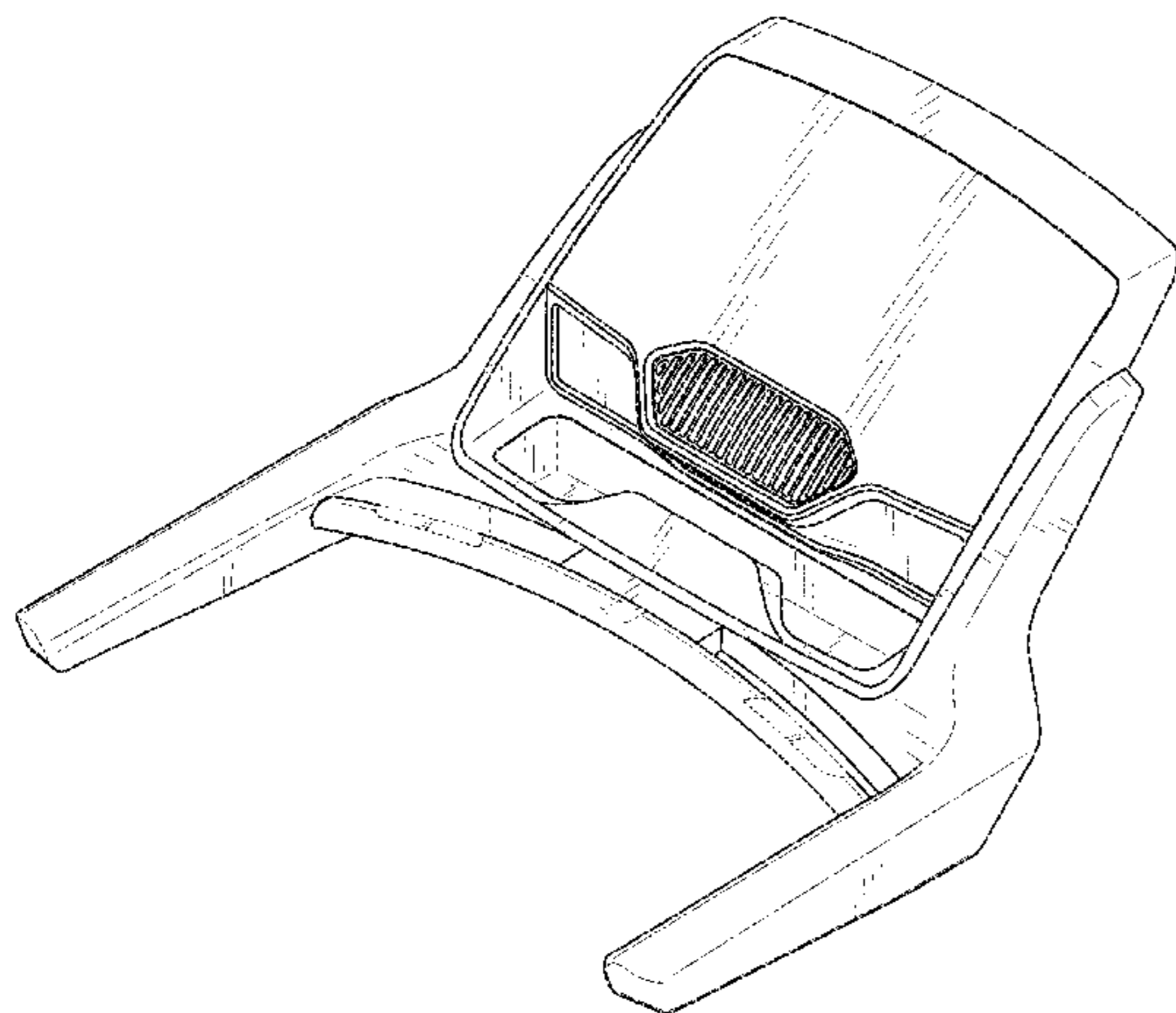
The ornamental design for a console for exercise equipment, as shown and described.

DESCRIPTION

FIG. 1 is a perspective view of the first embodiment of a console for exercise equipment;
FIG. 2 is a front view thereof;
FIG. 3 is a rear view thereof;
FIG. 4 is a left side view thereof;
FIG. 5 is a right side view thereof;
FIG. 6 is a top view thereof;
FIG. 7 is a bottom view thereof;
FIG. 8 is a perspective view of the second embodiment of a console for exercise equipment;
FIG. 9 is a front view thereof;
FIG. 10 is a rear view thereof;
FIG. 11 is a left side view thereof;
FIG. 12 is a right side view thereof;
FIG. 13 is a top view thereof; and,
FIG. 14 is a bottom view thereof.

The evenly broken line in the drawings depicts unclaimed portion of the console only and the dash-dot broken line discloses boundary of the claim. Broken lines form no part of the claimed design.

1 Claim, 10 Drawing Sheets



(56)

References Cited

U.S. PATENT DOCUMENTS

D663,367	S *	7/2012	Olason	D21/696
D682,372	S *	5/2013	Alessandri	D21/669
D707,763	S *	6/2014	Cutler	D21/669
8,801,578	B2 *	8/2014	Corbalis	A63B 71/0622 482/1
8,986,165	B2 *	3/2015	Ashby	A63B 24/0087 482/1
9,186,549	B2 *	11/2015	Watterson	A63B 24/0062
9,352,186	B2 *	5/2016	Watterson	A63B 22/02
9,403,051	B2 *	8/2016	Cutler	A63B 22/02
9,480,874	B2 *	11/2016	Cutler	A63B 22/0046
9,579,544	B2 *	2/2017	Watterson	A63B 24/0087
9,782,625	B1 *	10/2017	Blum	A63B 24/0087
D826,350	S *	8/2018	Hochstrasser	D21/694
2007/0015635	A1 *	1/2007	Donner	A63B 22/02 482/54
2009/0036272	A1 *	2/2009	Yoo	A63B 22/0257 482/7
2014/0121066	A1 *	5/2014	Huang	A63B 22/02 482/54

OTHER PUBLICATIONS

“Exercise At Home On The New ProForm Pro 2000 Treadmill”
 [online]. ProForm. [Published on Nov. 11, 2016]. Retrieved from
 the Internet: <<https://www.youtube.com/watch?v=p0Ys74GUgtk>>.*

* cited by examiner

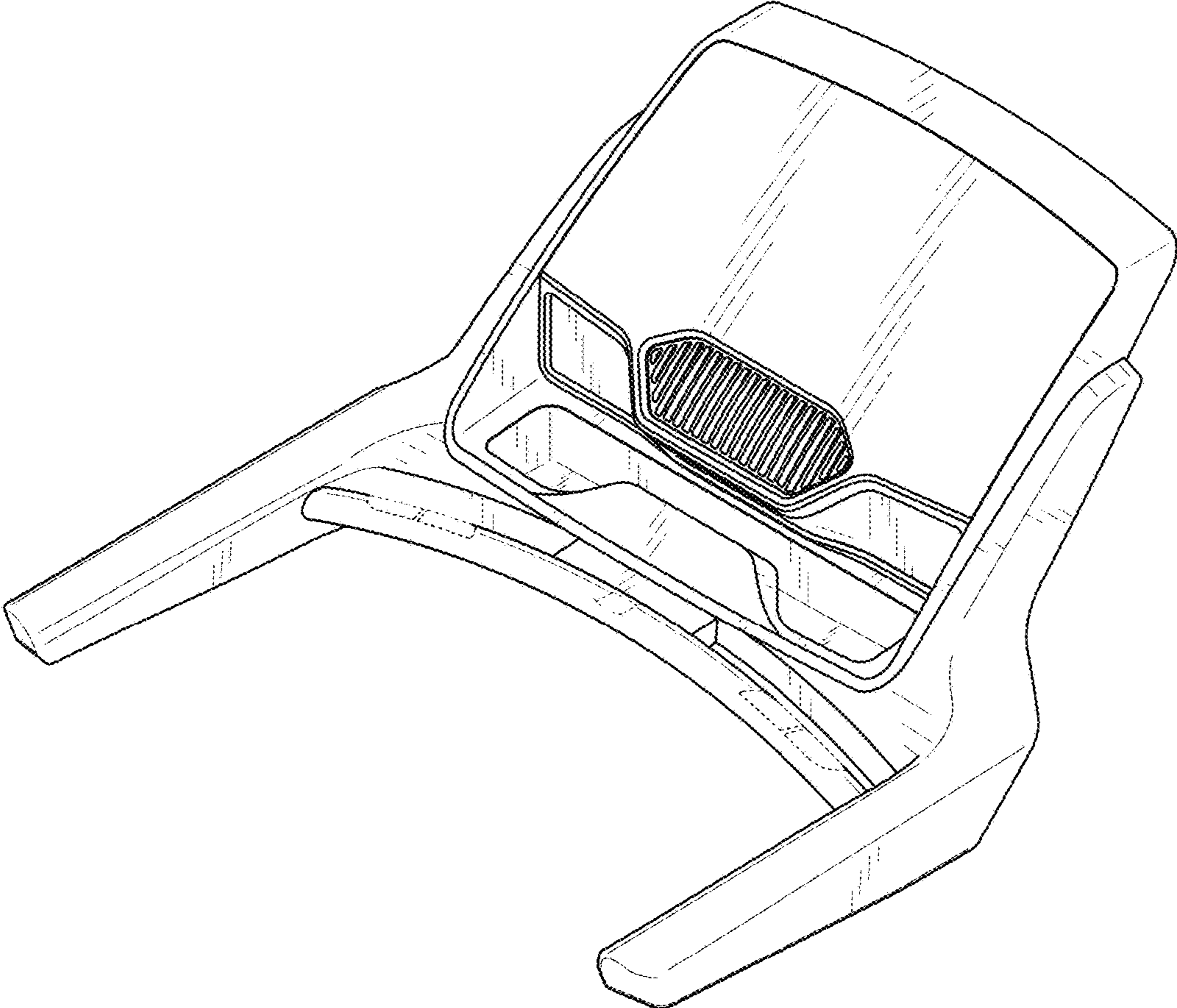


FIG. 1

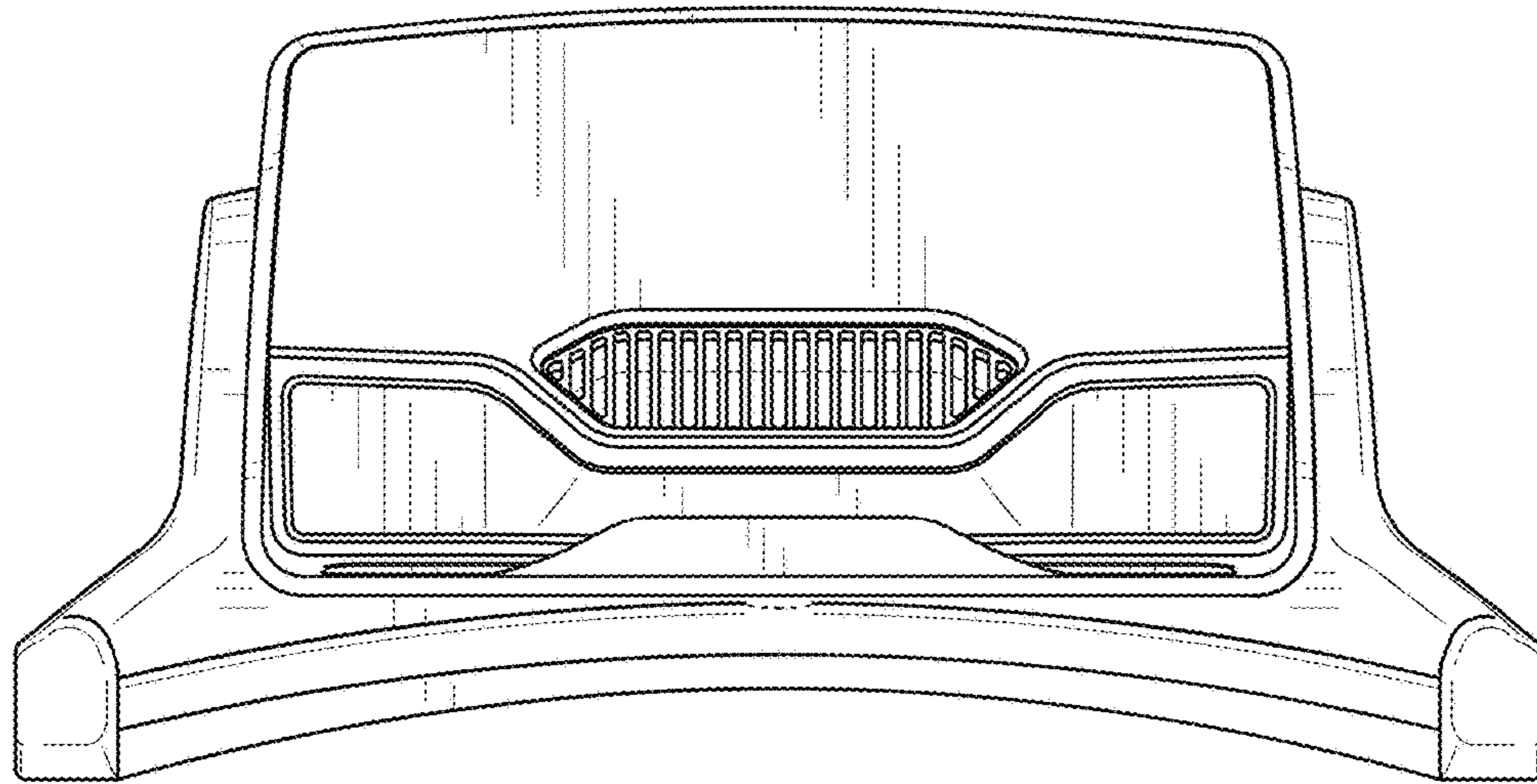


FIG. 2

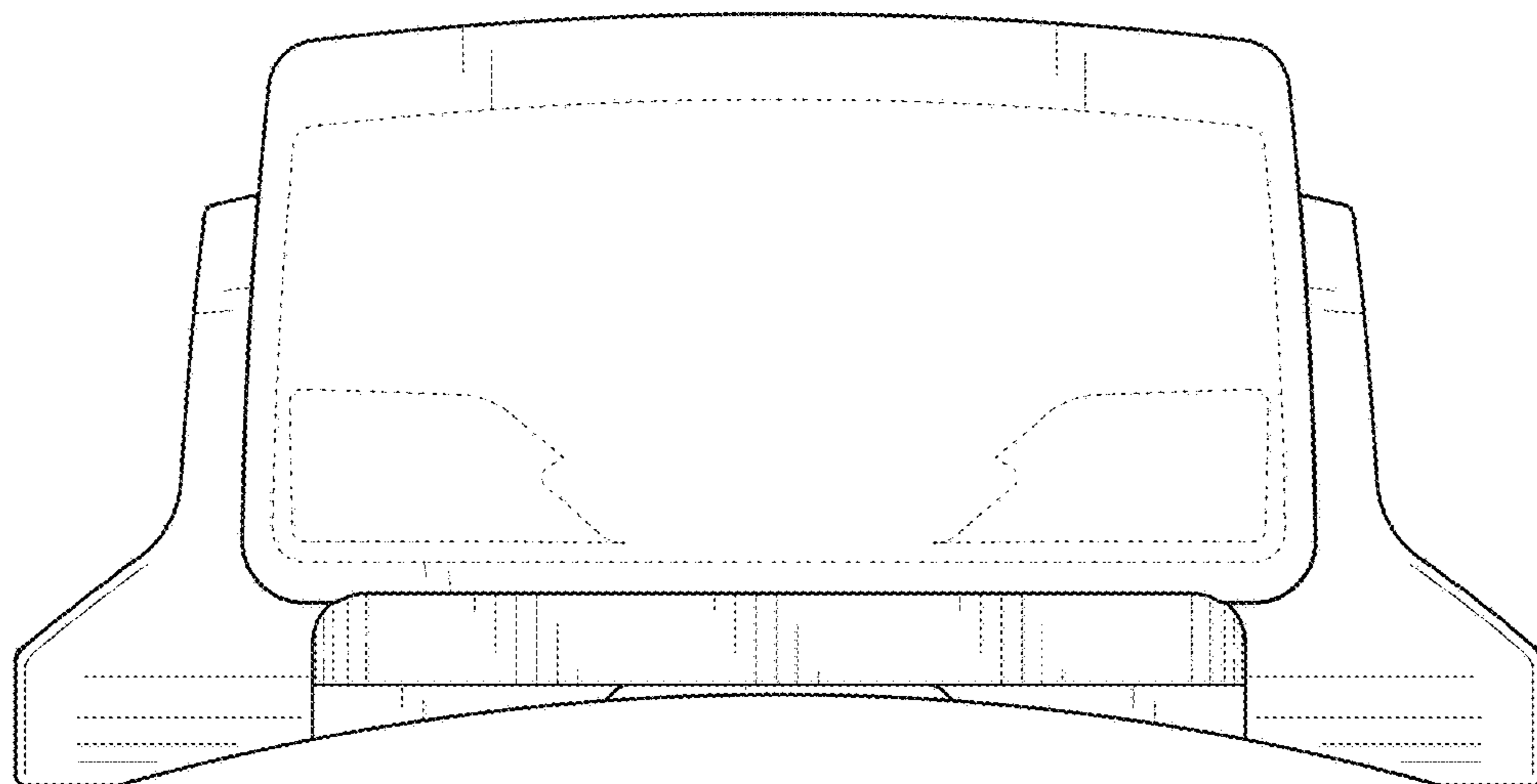


FIG. 3

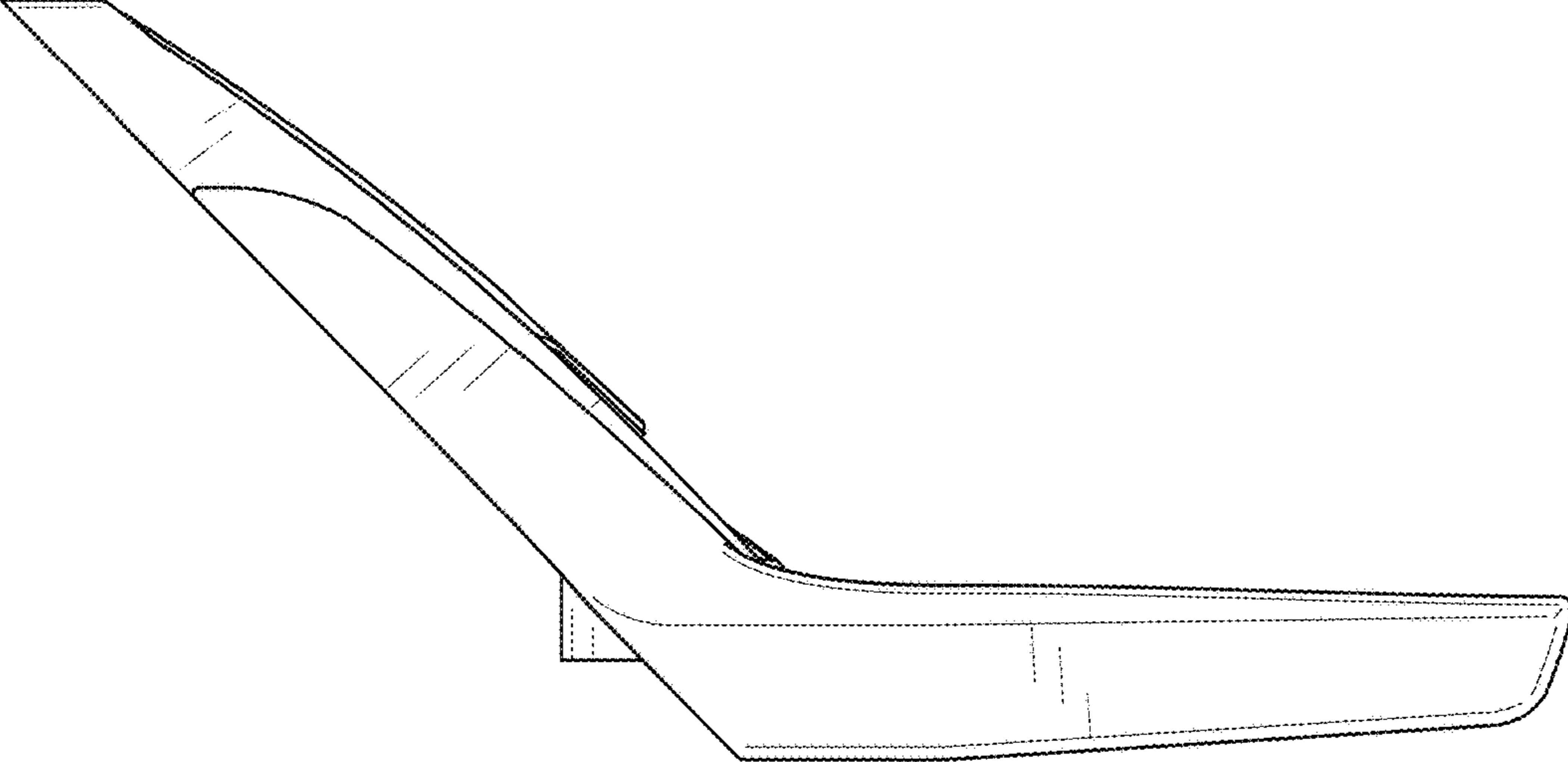


FIG. 4

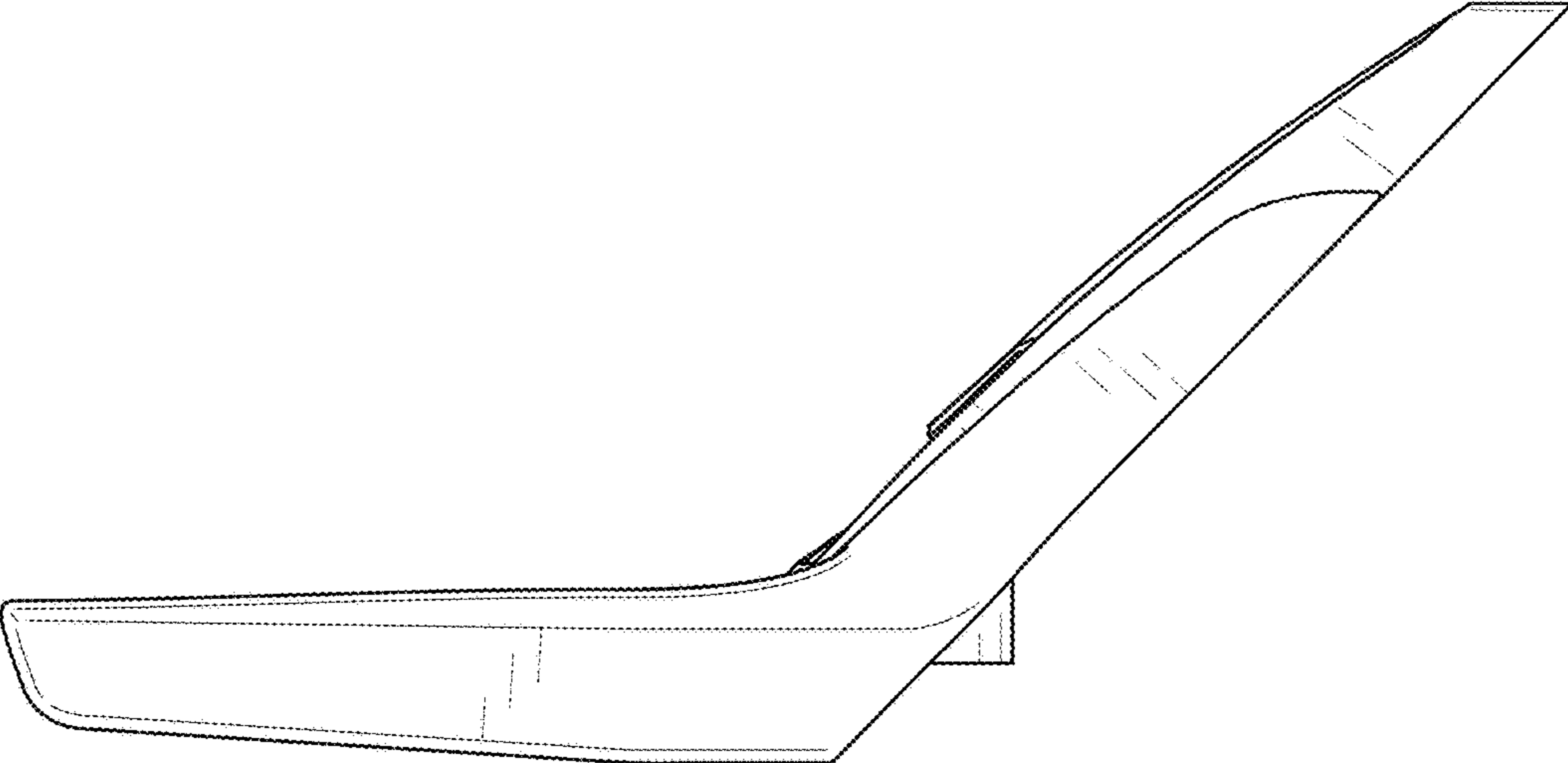


FIG. 5

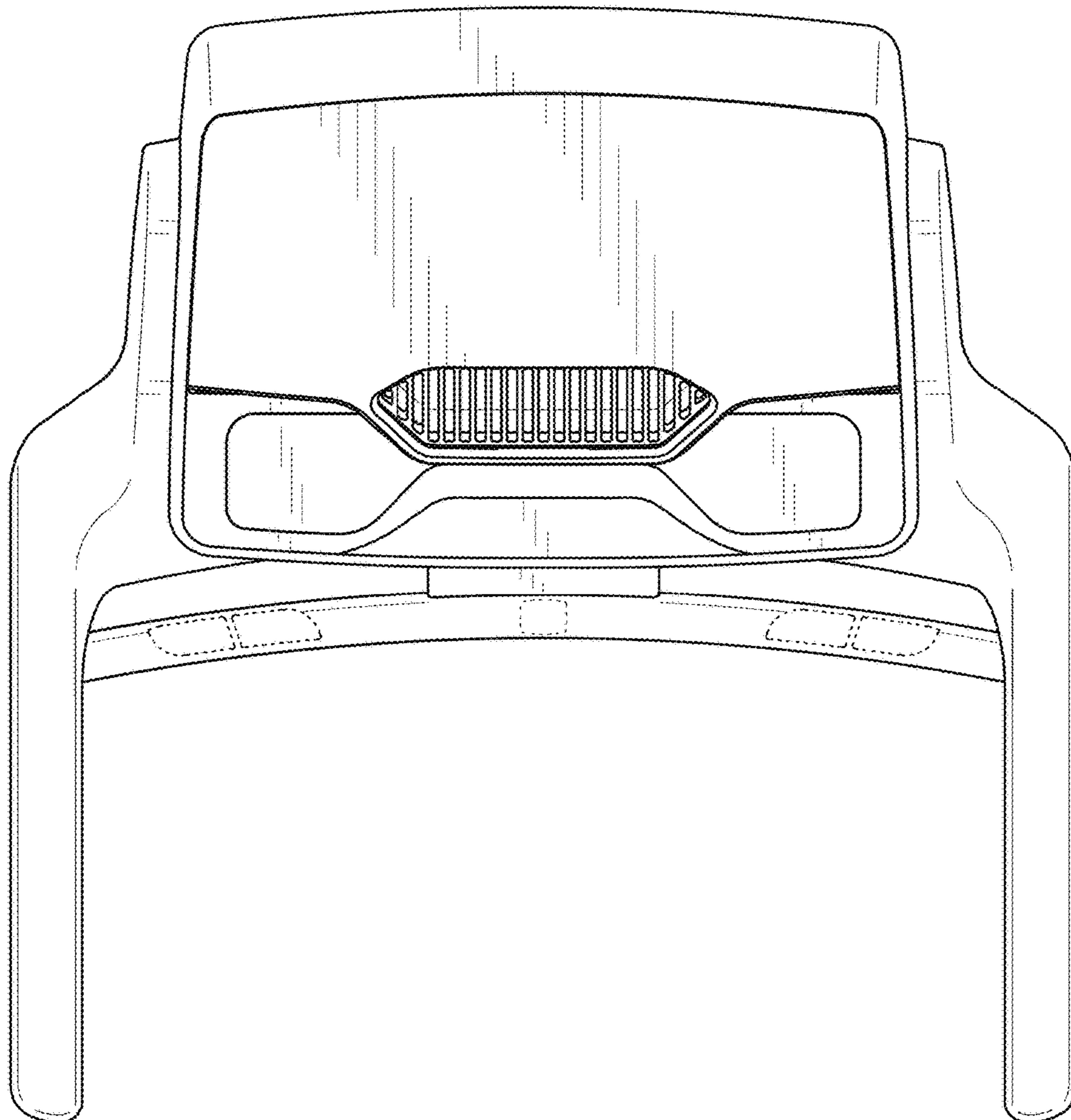


FIG. 6

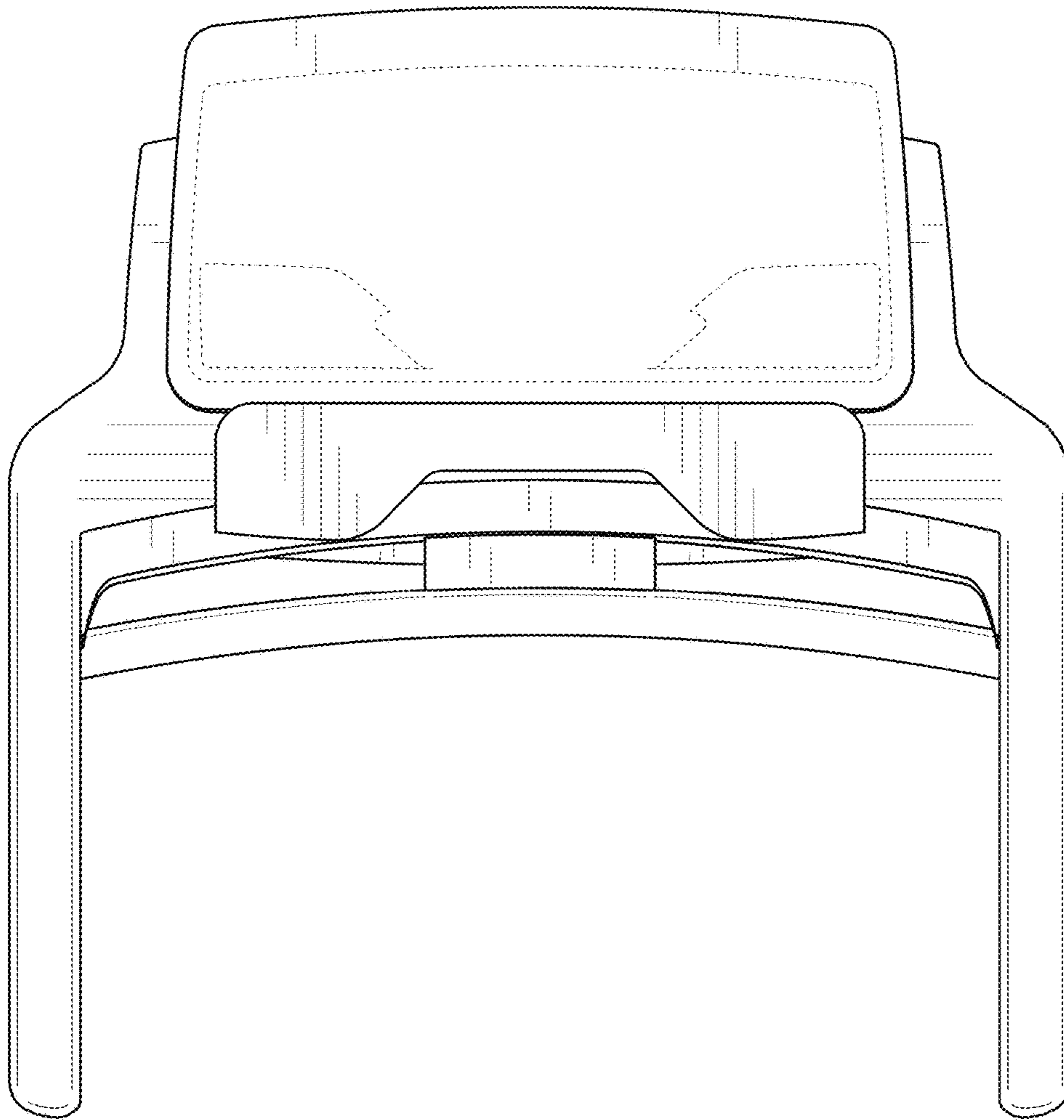


FIG. 7

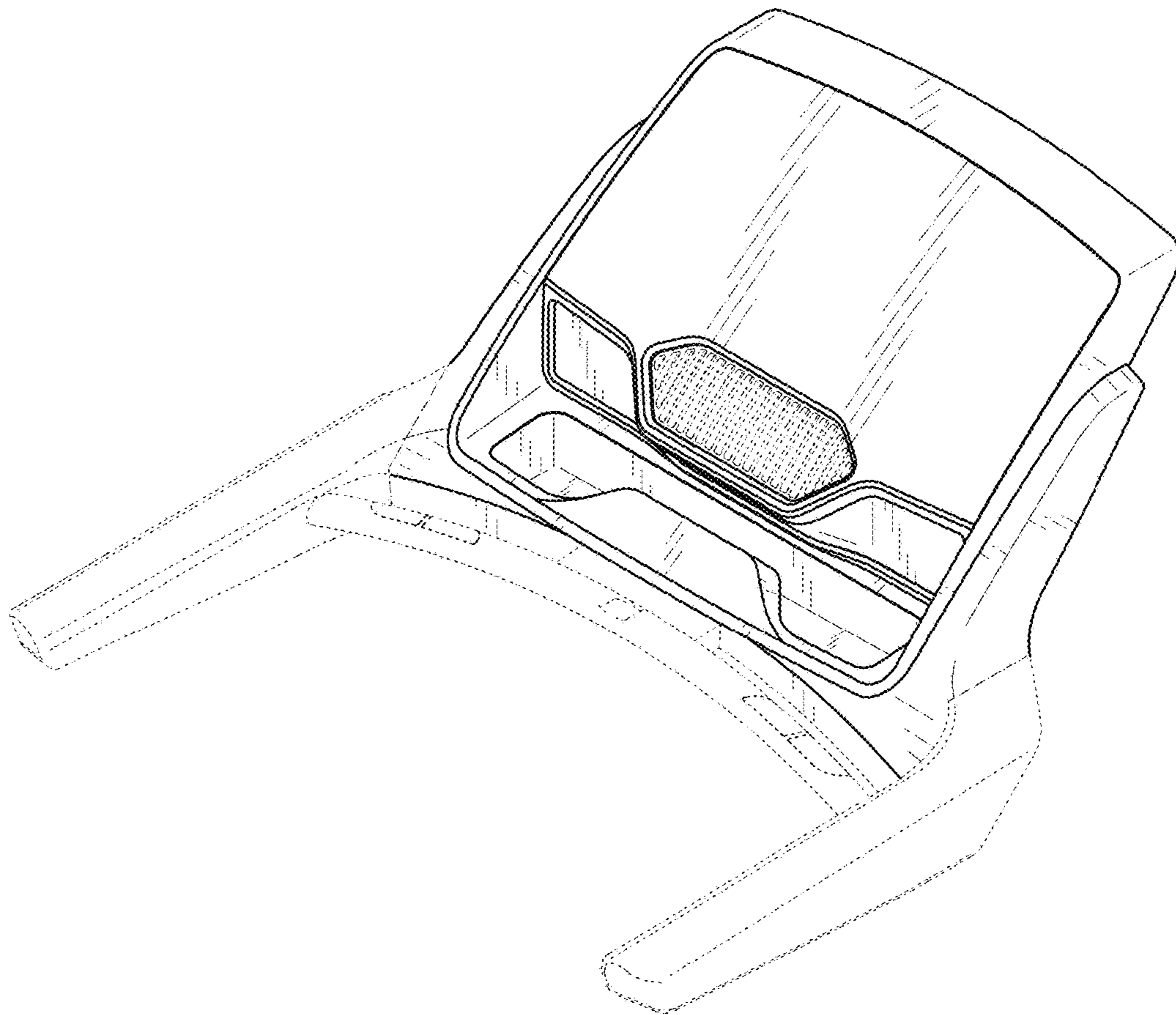


FIG. 8

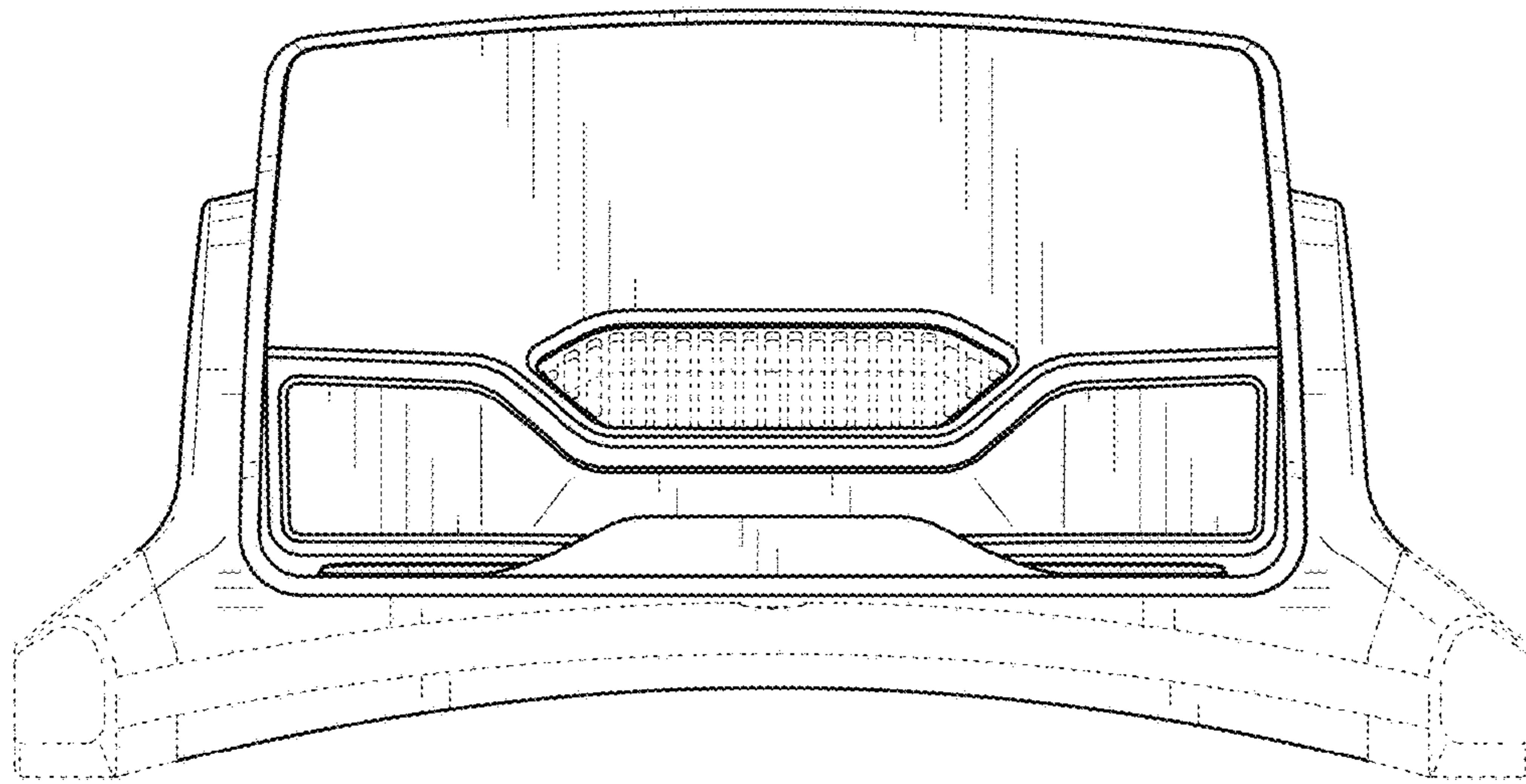


FIG. 9

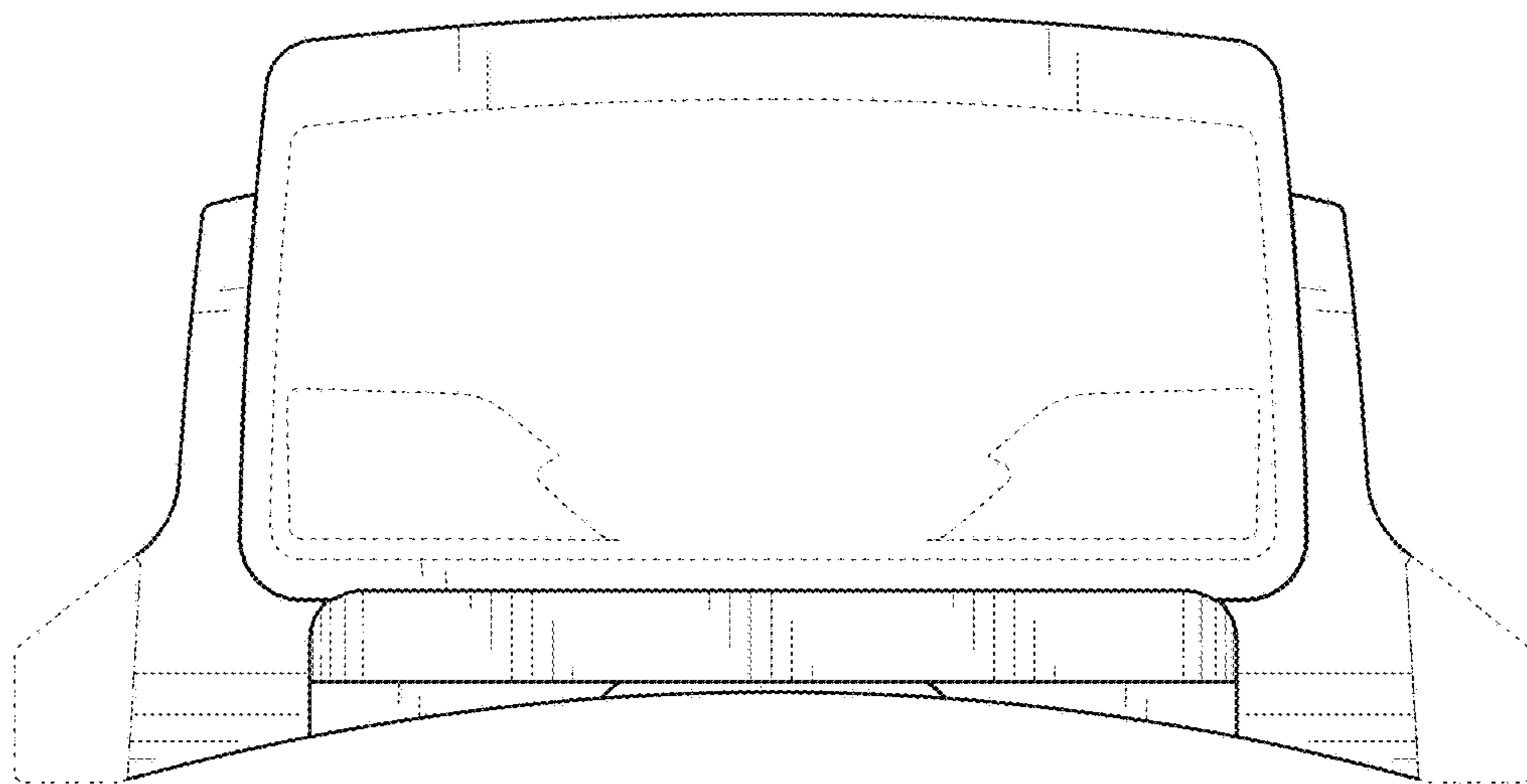


FIG. 10

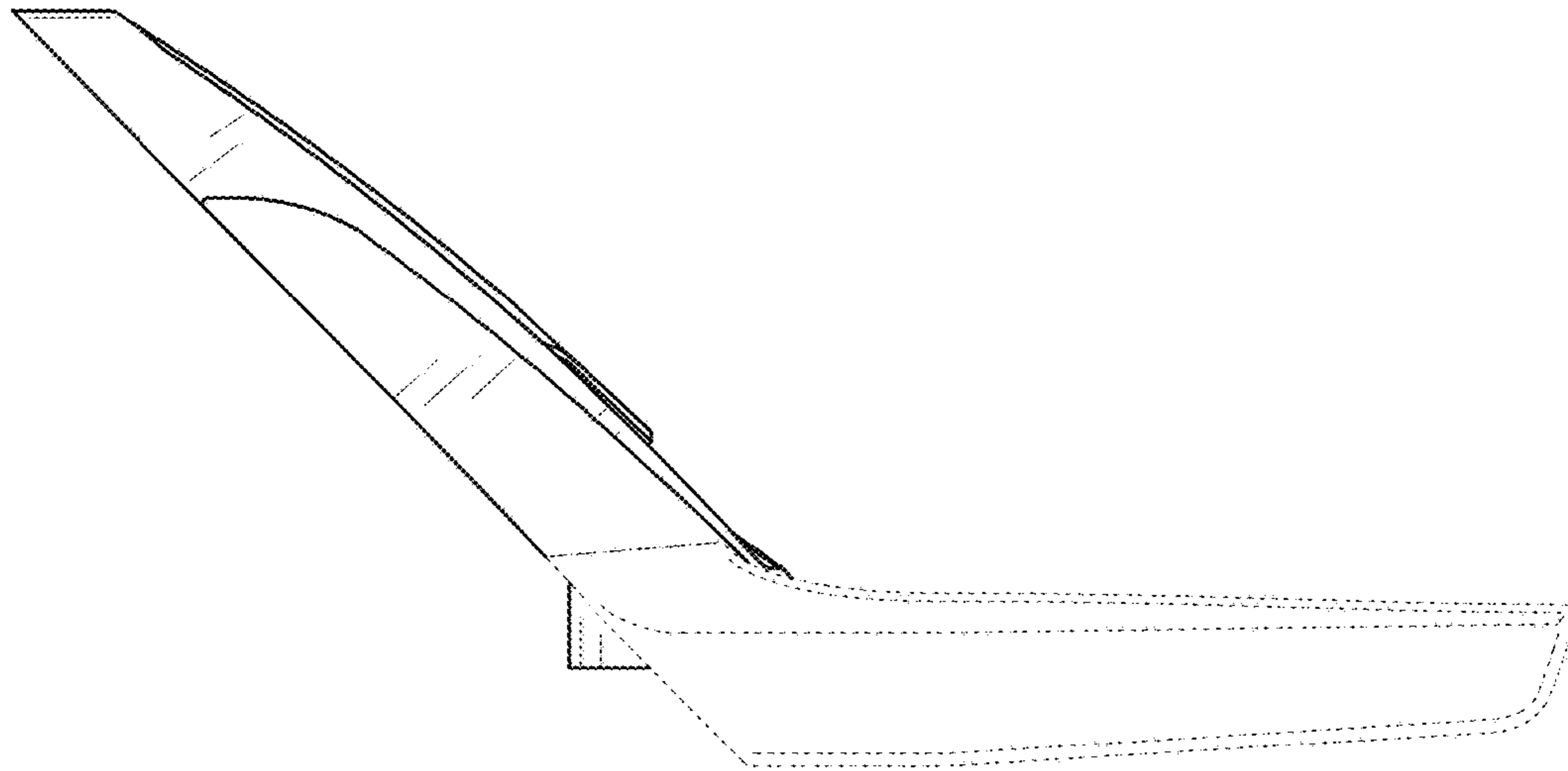


FIG. 11

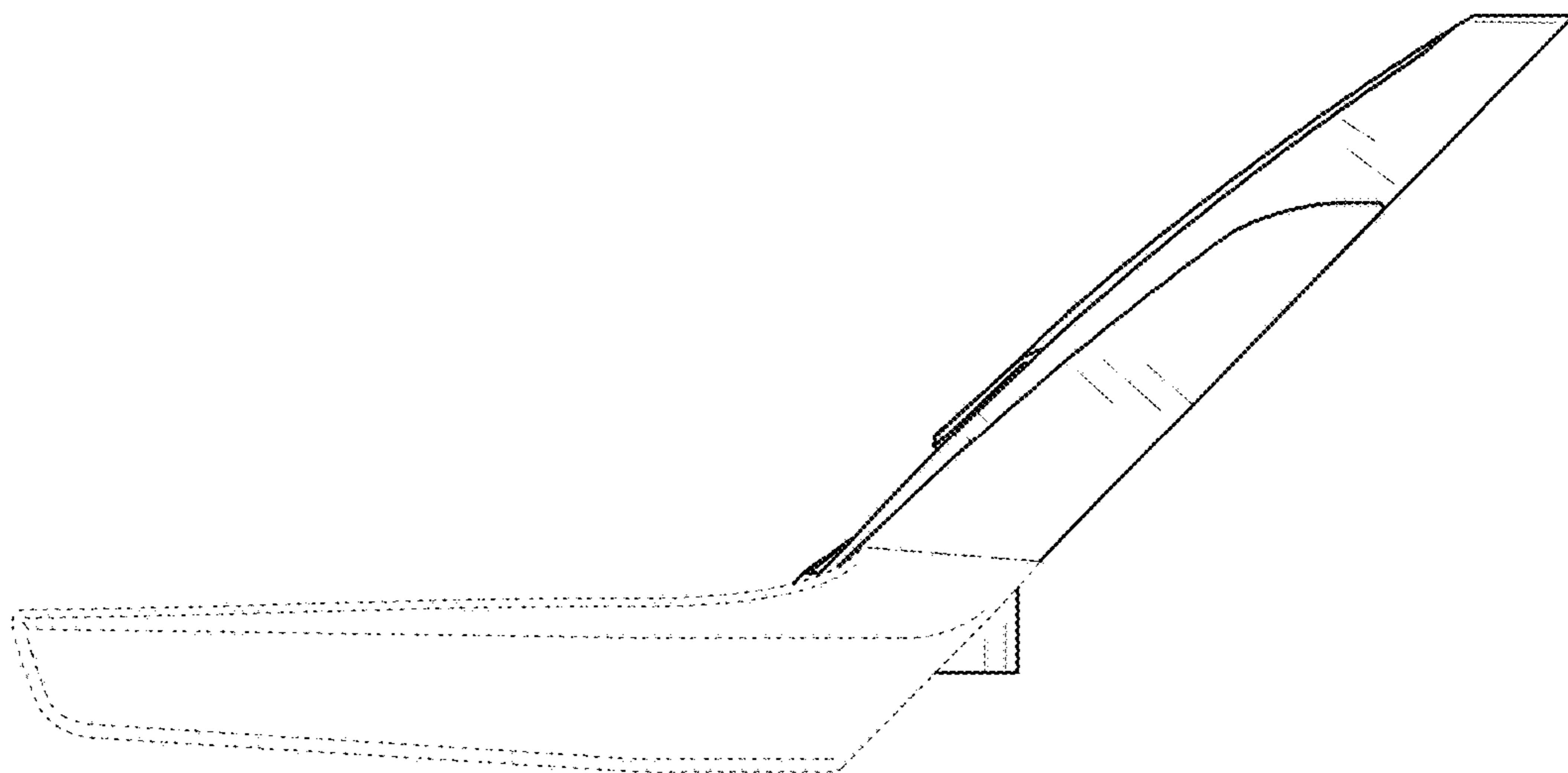


FIG. 12

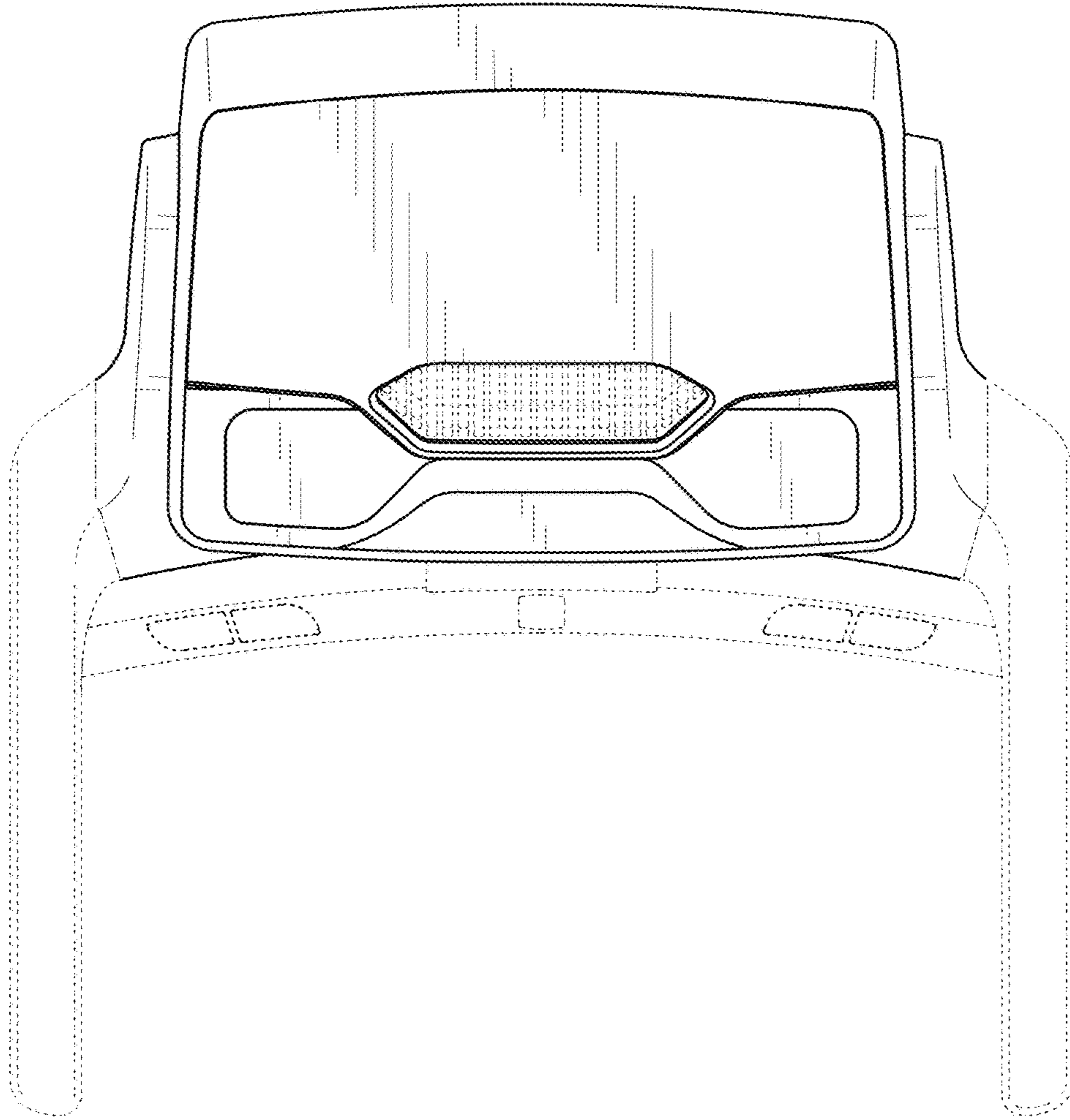


FIG. 13

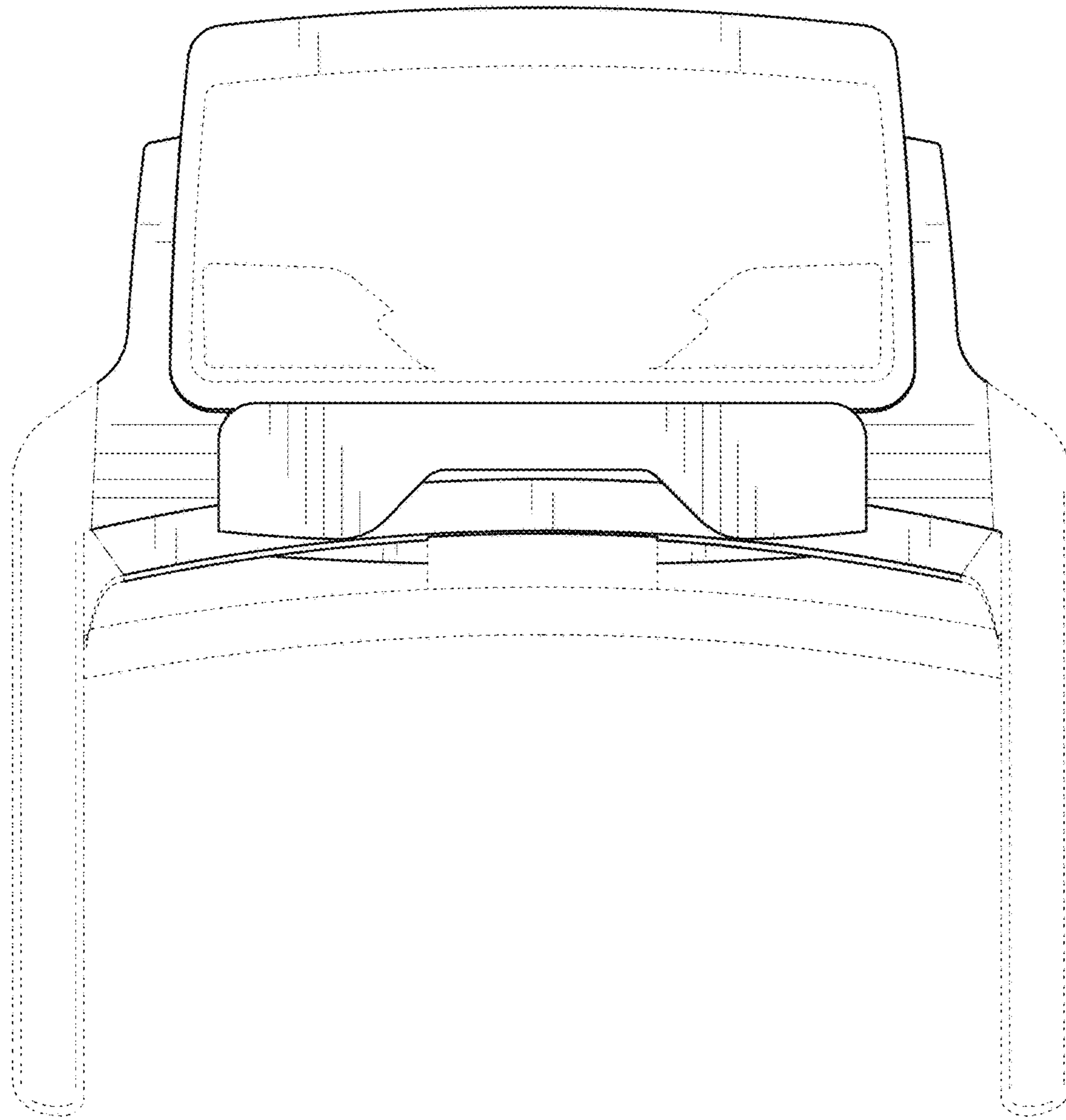


FIG. 14