



US00D864319S

(12) **United States Design Patent**  
**Mantione, III**

(10) **Patent No.:** **US D864,319 S**  
(45) **Date of Patent:** **\*\* Oct. 22, 2019**

- (54) **STRETCHING EXERCISE EQUIPMENT**
- (71) Applicant: **Jack Michael Mantione, III**, New York, NY (US)
- (72) Inventor: **Jack Michael Mantione, III**, New York, NY (US)
- (73) Assignee: **Medescis LLC**, New York City, NY (US)
- (\*\*) Term: **15 Years**
- (21) Appl. No.: **29/643,784**
- (22) Filed: **Apr. 11, 2018**
- (51) **LOC (12) Cl.** ..... **21-02**
- (52) **U.S. Cl.**  
USPC ..... **D21/692**
- (58) **Field of Classification Search**  
USPC ..... 24/31 R, 68 R; 482/121, 122, 123, 124, 482/125, 126, 127, 128, 131, 139, 148; D2/624, 626, 627, 629, 640, 701, 703; D21/662, 683, 684, 685, 692, 694; D8/355, 356, 359  
CPC . A63B 21/16; A63B 21/4025; A63B 21/0442; A63B 21/0552; A63B 21/0557; A63B 2023/006; A44B 11/18  
See application file for complete search history.

- (56) **References Cited**  
U.S. PATENT DOCUMENTS  
D232,368 S \* 8/1974 Shales ..... D21/692  
D242,936 S \* 1/1977 Docic ..... 482/126  
4,204,674 A \* 5/1980 Ogland ..... A63B 21/0004  
482/131  
4,211,405 A \* 7/1980 Blowsky ..... A63B 21/00043  
482/128  
4,257,592 A \* 3/1981 Jones ..... A63B 21/154  
24/115 K  
4,733,862 A 3/1988 Miller

- 4,762,318 A \* 8/1988 Phillips ..... A63B 21/0004  
24/115 L
- D301,271 S \* 5/1989 Greenfeld ..... D21/692
- 4,865,316 A \* 9/1989 Yeaman ..... A63B 21/00043  
482/126
- D311,232 S \* 10/1990 Drennan ..... D21/692
- 5,512,028 A \* 4/1996 Sparks, III ..... A63B 21/0004  
446/253
- 5,620,397 A \* 4/1997 Chieh ..... A63B 5/20  
482/121
- 5,643,159 A \* 7/1997 Iavarone ..... A63B 21/0004  
482/125
- 5,800,322 A 9/1998 Block
- D406,287 S \* 3/1999 Carver ..... D21/662
- 6,071,218 A \* 6/2000 Tepperberg ..... A63B 21/0004  
482/121

(Continued)

*Primary Examiner* — Cynthia Ramirez  
*Assistant Examiner* — Michael A Maharajh  
(74) *Attorney, Agent, or Firm* — Cameron LLP

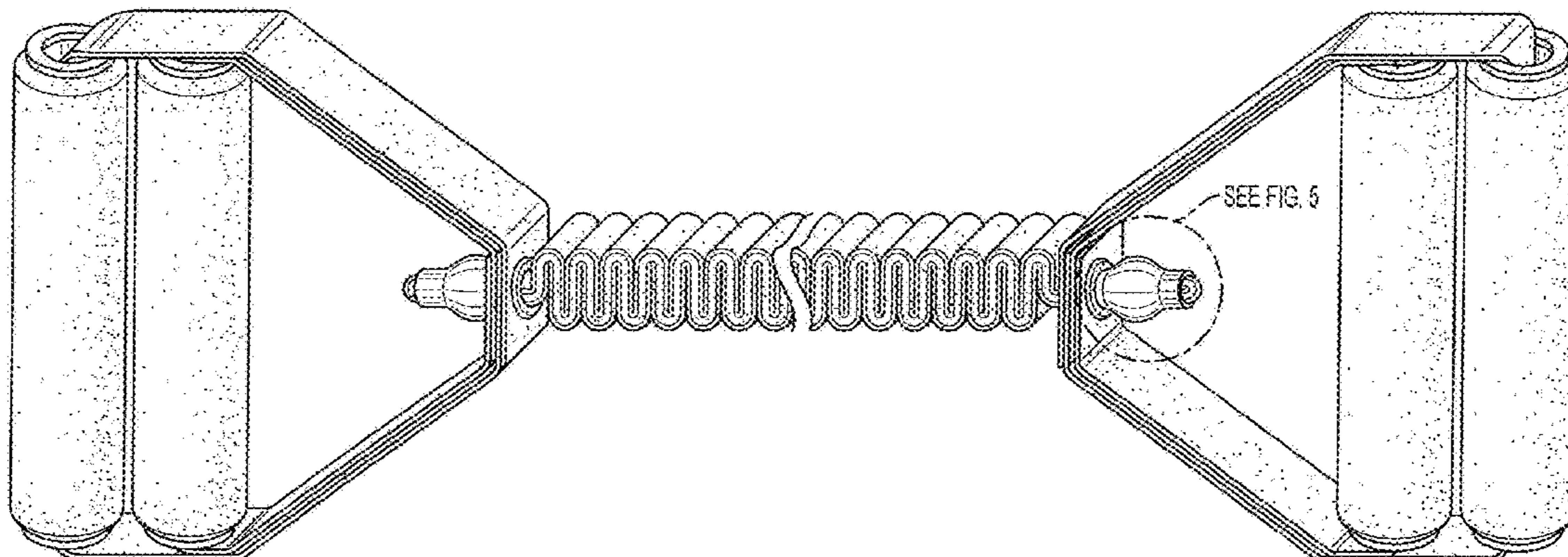
(57) **CLAIM**

The ornamental design for a stretching exercise equipment, as shown and described.

**DESCRIPTION**

FIG. 1 is a front perspective view of the stretching exercise equipment, showing my new design;  
FIG. 2 is a top view thereof;  
FIG. 3 is an end view thereof;  
FIG. 4 is a side view thereof;  
FIG. 5 is an enlarged view of the portion shown encircled in FIG. 1; and,  
FIG. 6 is an enlarged view of the portion shown encircled in FIG. 2.  
The stretching exercise equipment is shown with a symbolic length in its length. The appearance of any portion of the article between the break lines forms no part of the claimed design.

**1 Claim, 4 Drawing Sheets**



(56)

References Cited

U.S. PATENT DOCUMENTS

6,338,702 B1 *	1/2002	Jordan	.....	A63B 21/072	294/15	7,892,157 B2 *	2/2011	Arnett	.....	A63B 21/068	482/131
6,450,929 B1 *	9/2002	Markham	.....	A63B 21/0552	482/121	8,162,809 B1 *	4/2012	Eastwood	.....	A63B 21/0552	482/123
6,517,470 B1 *	2/2003	Chak	.....	A63B 21/0004	482/121	8,317,667 B1 *	11/2012	Thomas	.....	A63B 21/0555	482/121
6,558,301 B1 *	5/2003	Jackson	.....	A63B 21/0552	482/121	D678,434 S *	3/2013	Hughes	.....	D21/662	
6,648,804 B2 *	11/2003	Chen	.....	A63B 21/0004	482/125	8,602,951 B2 *	12/2013	Morris	.....	A63B 21/0004	403/202
6,692,415 B1 *	2/2004	Winston	.....	A63B 21/0004	482/122	8,657,727 B1 *	2/2014	Kassel	.....	A63B 21/0552	24/300
6,921,354 B1 *	7/2005	Shifferaw	.....	A63B 21/068	482/126	8,684,894 B2 *	4/2014	Flynn	.....	A63B 21/0004	482/121
7,128,699 B2 *	10/2006	Hsu	.....	A63B 21/0004	482/125	D711,986 S *	8/2014	Russotti	.....	D21/694	
7,137,935 B2 *	11/2006	Clarke	.....	A63B 21/00043	482/123	8,870,722 B2 *	10/2014	Kassel	.....	A63B 21/0552	482/121
7,175,574 B2 *	2/2007	Carmel	.....	A63B 21/0004	482/124	8,876,678 B2 *	11/2014	Flentye	.....	A63B 21/0552	482/121
7,192,390 B2 *	3/2007	Berard	.....	A63B 21/0004	482/121	D719,303 S *	12/2014	Anderson	.....	D29/124	
7,344,484 B1 *	3/2008	Porcellato	.....	A47C 7/62	482/123	8,905,904 B2 *	12/2014	Carter	.....	A63B 21/0442	482/121
7,344,485 B1 *	3/2008	Simpson	.....	A63B 21/0004	482/121	8,920,293 B1 *	12/2014	Rosaly	.....	A63B 21/0555	482/121
7,410,450 B1 *	8/2008	Paulding	.....	A63B 21/0552	482/120	8,944,973 B2 *	2/2015	Lalaoua	.....	A63B 21/02	482/121
7,455,632 B2 *	11/2008	Block	.....	A63B 21/0004	482/121	D726,841 S *	4/2015	Wright	.....	D21/662	
7,503,883 B2 *	3/2009	Madden	.....	A63B 21/0004	482/121	8,998,779 B1 *	4/2015	Ihli	.....	A63B 21/00185	482/115
7,601,107 B2 *	10/2009	Maloy	.....	A63B 23/1209	482/123	9,050,484 B2	6/2015	Flentye et al.			
7,611,450 B2 *	11/2009	Mancini	.....	A63B 21/04	482/123	D778,615 S *	2/2017	Georges	.....	D3/216	
7,625,324 B1 *	12/2009	Hinds	.....	A63B 21/4017	482/121	9,914,010 B2 *	3/2018	Gutierrez	.....	A63B 21/0442	
7,628,742 B2 *	12/2009	Weaver	.....	A63B 21/0004	482/124	D816,785 S *	5/2018	Smith, Jr.	.....	D21/694	
7,699,761 B1 *	4/2010	Dieter	.....	A63B 23/04	482/124	D839,947 S *	2/2019	Cunningham	.....	D16/237	
7,794,374 B1 *	9/2010	Park	.....	A63B 21/0004	482/122	D848,774 S *	5/2019	Owen	.....	D6/716.6	
						2004/0180767 A1 *	9/2004	Carmel	.....	A63B 21/0004	482/126
						2005/0075223 A1 *	4/2005	Wu	.....	A63B 21/0004	482/126
						2006/0073954 A1 *	4/2006	Block	.....	A63B 21/0004	482/121
						2007/0155600 A1 *	7/2007	Cunningham	.....	A63B 21/0004	482/126
						2014/0051555 A1	2/2014	Flentye et al.			
						2014/0051558 A1 *	2/2014	Flentye	.....	A63B 21/0552	482/139
						2014/0051559 A1	2/2014	Flentye et al.			

\* cited by examiner

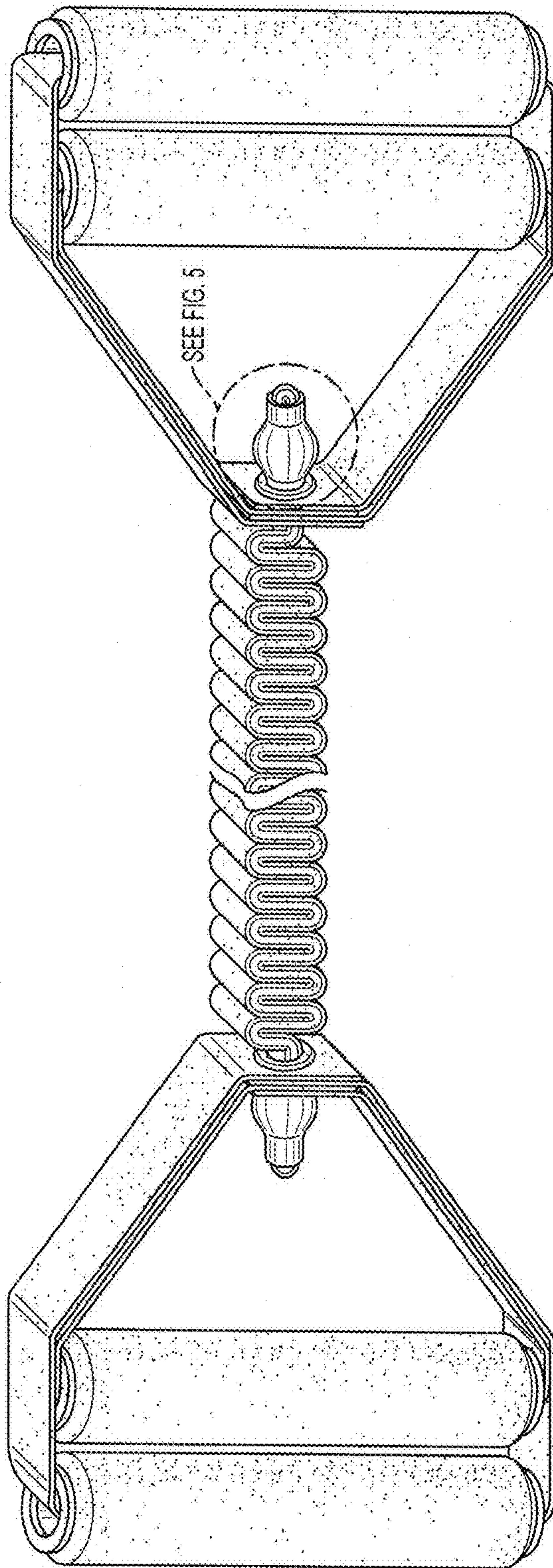


FIG. 1

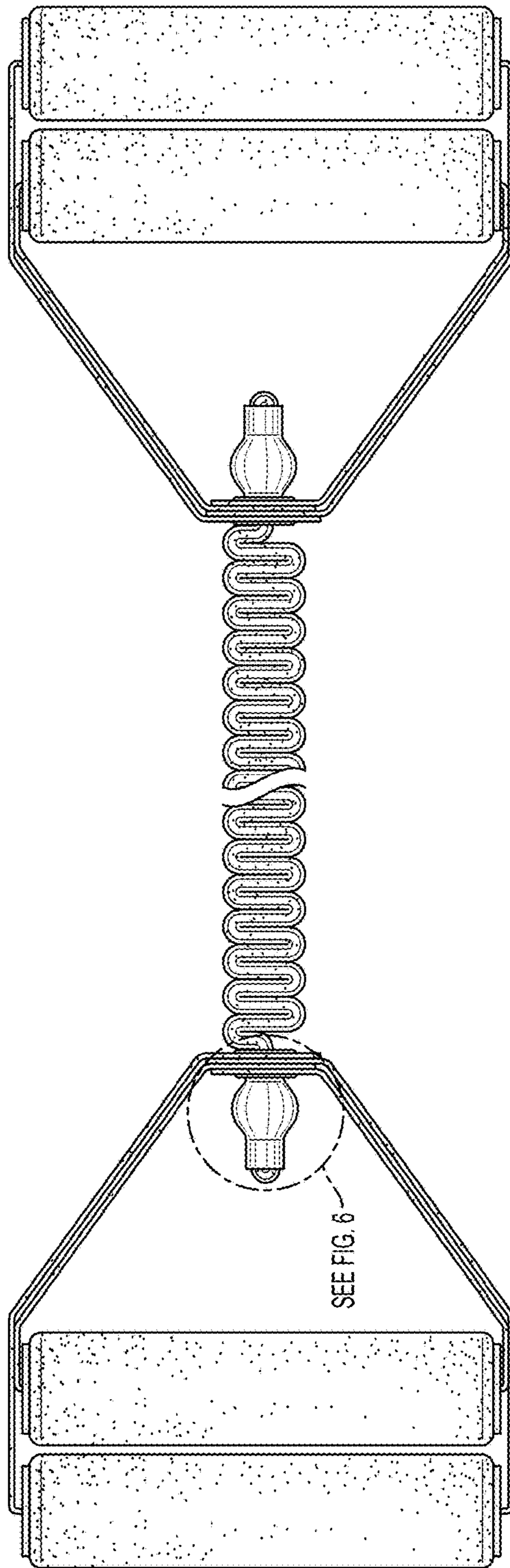


FIG. 2

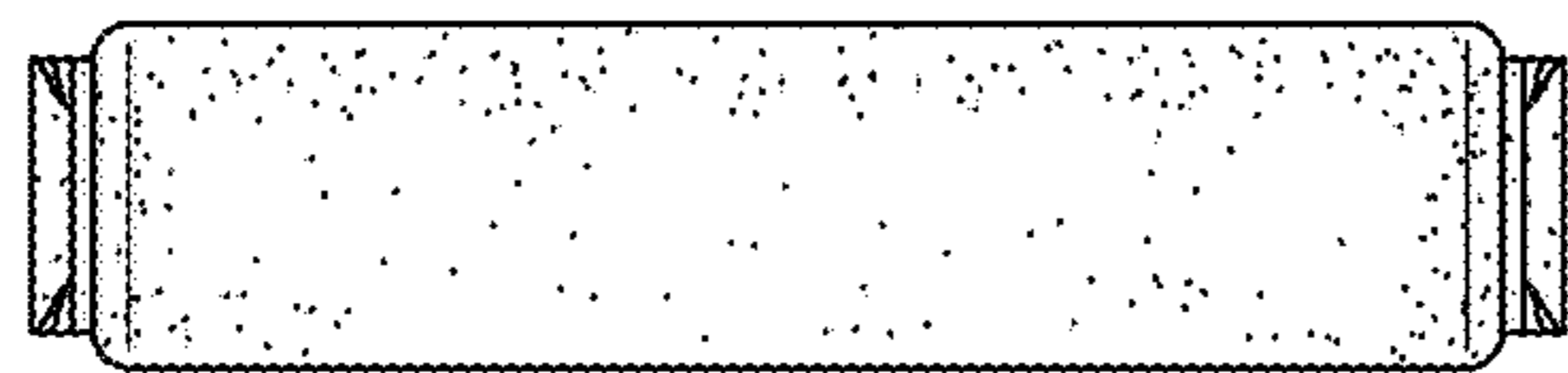


FIG. 3

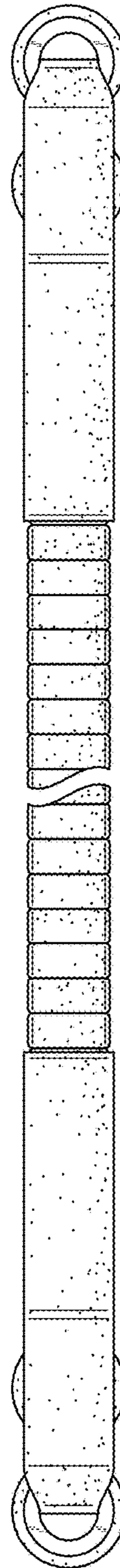


FIG. 4

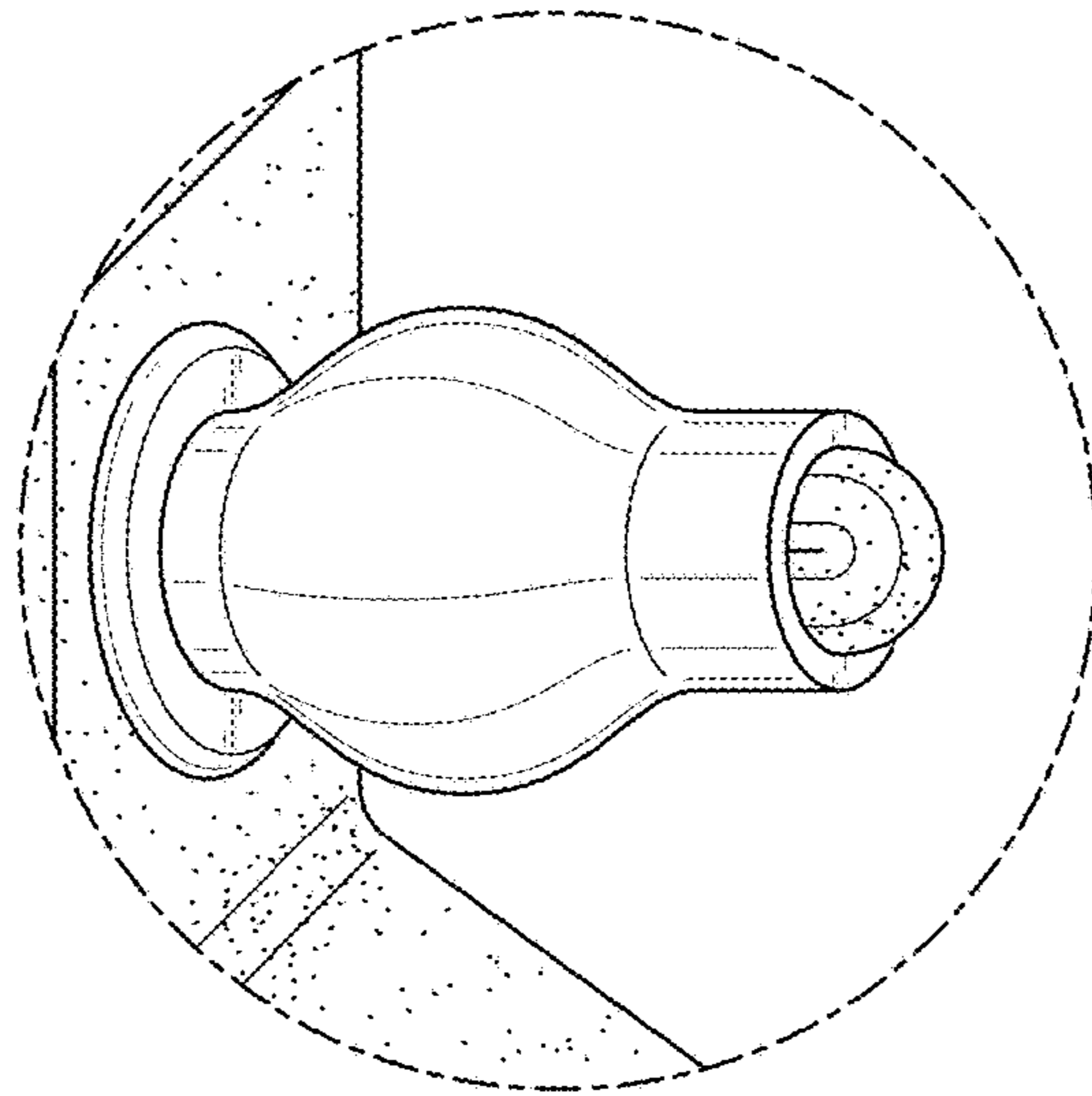


FIG. 5

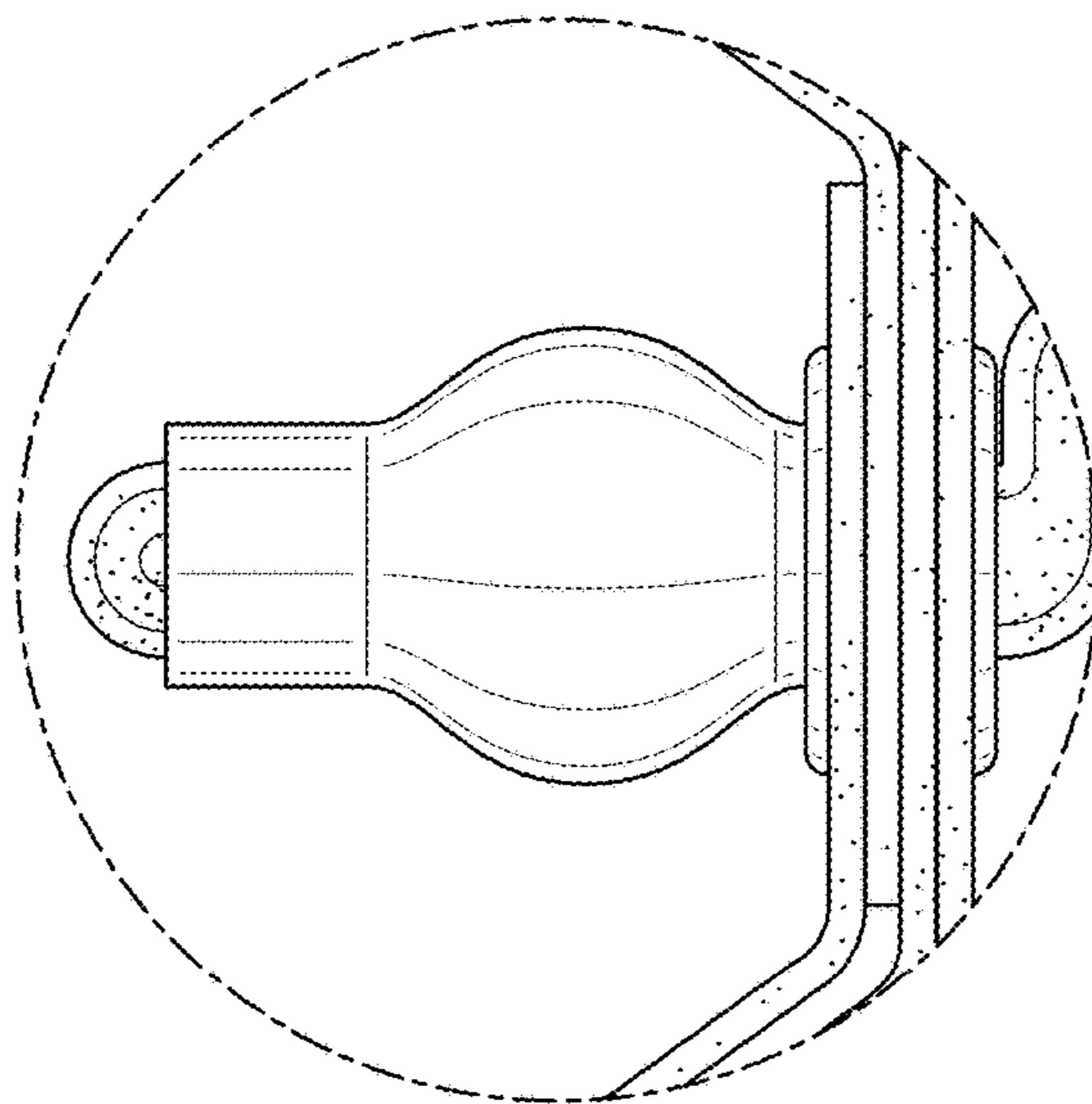


FIG. 6